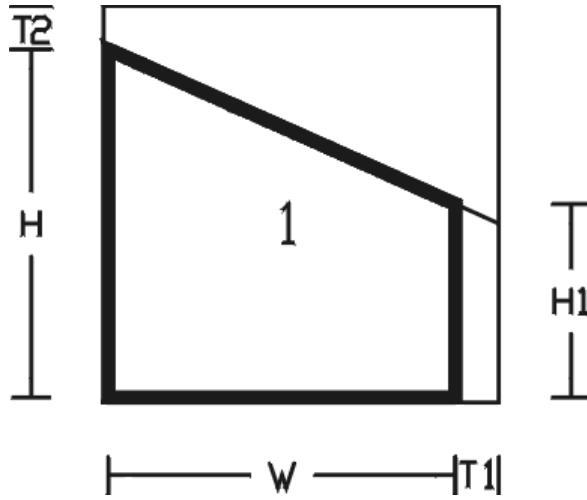
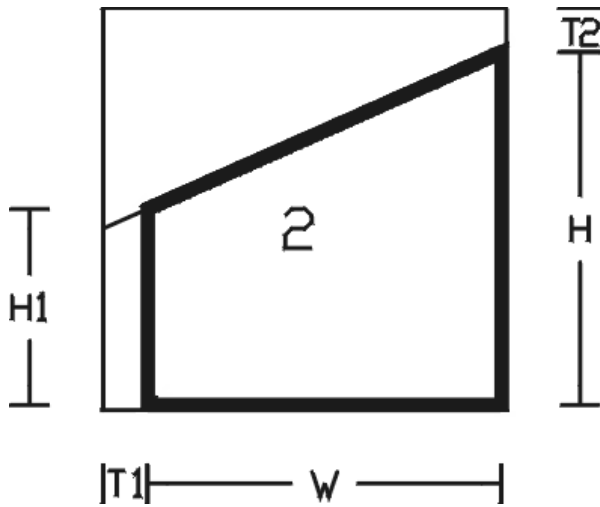


SHAPE CATALOG



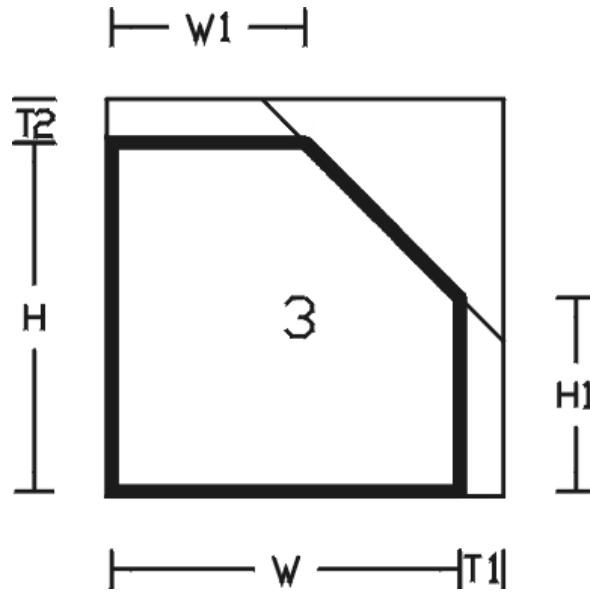


$$\begin{aligned}
 H1 &< H \\
 H1 &> 0 \\
 W &> 0
 \end{aligned}$$

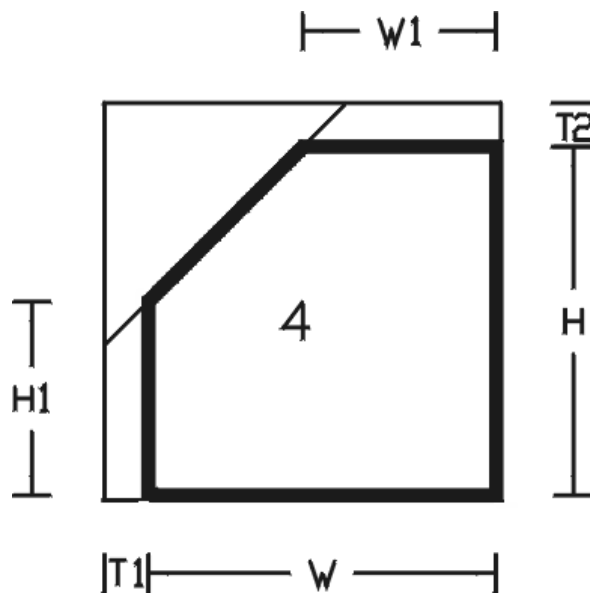


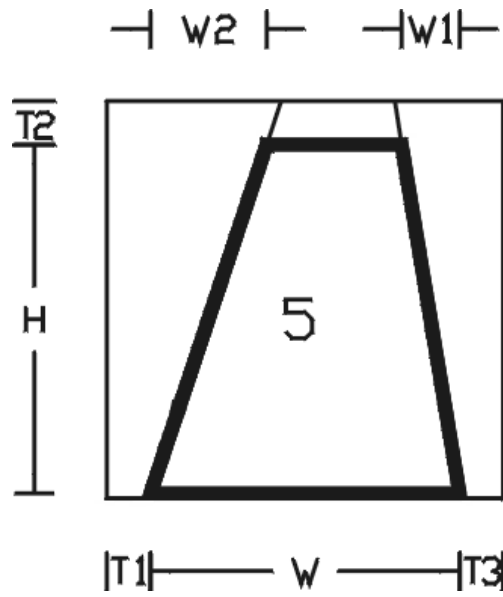
$$\begin{aligned}
 H1 &< H \\
 H1 &> 0 \\
 W &> 0
 \end{aligned}$$

$H1 < H$
 $W1 < W$
 $H1 > 0$
 $W1 > 0$



$H1 < H$
 $W1 < W$
 $H1 > 0$
 $W1 > 0$



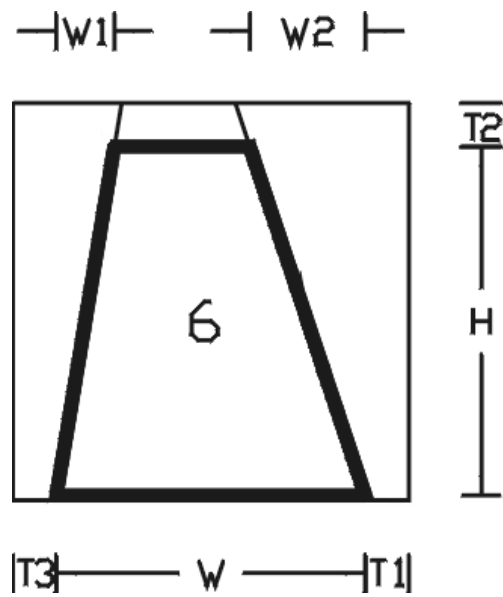


$$w_2 + w_1 \leq W$$

$$H > 0$$

$$w_1 > 0$$

$$w_2 > 0$$



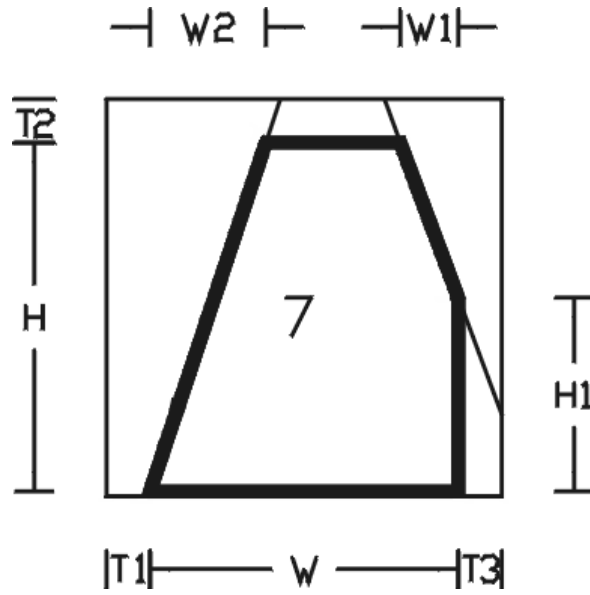
$$w_2 + w_1 \leq W$$

$$H > 0$$

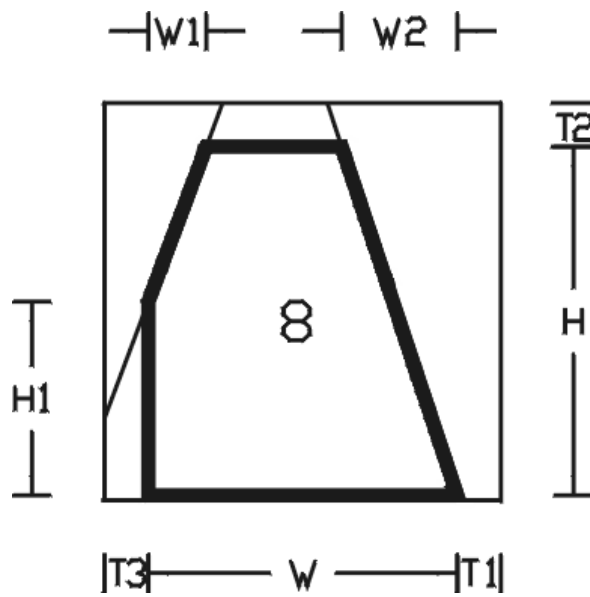
$$w_1 > 0$$

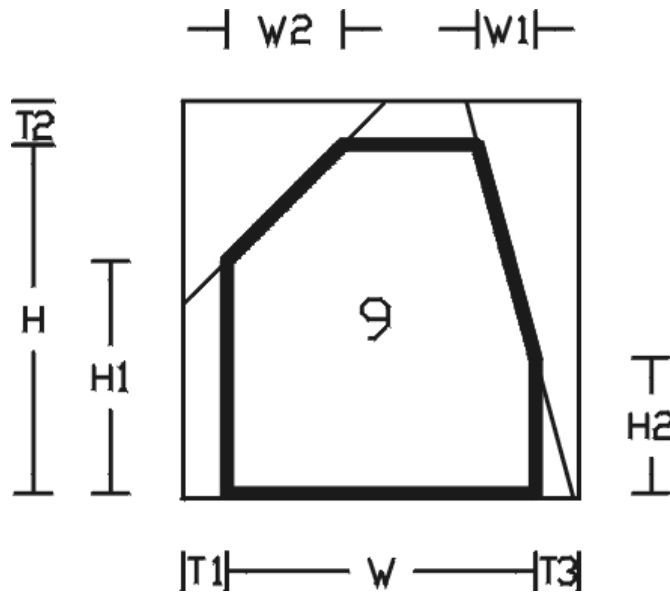
$$w_2 > 0$$

$W2 + W1 \leq W$
 $H1 < H$
 $H1 > 0$
 $W1 > 0$
 $W2 > 0$

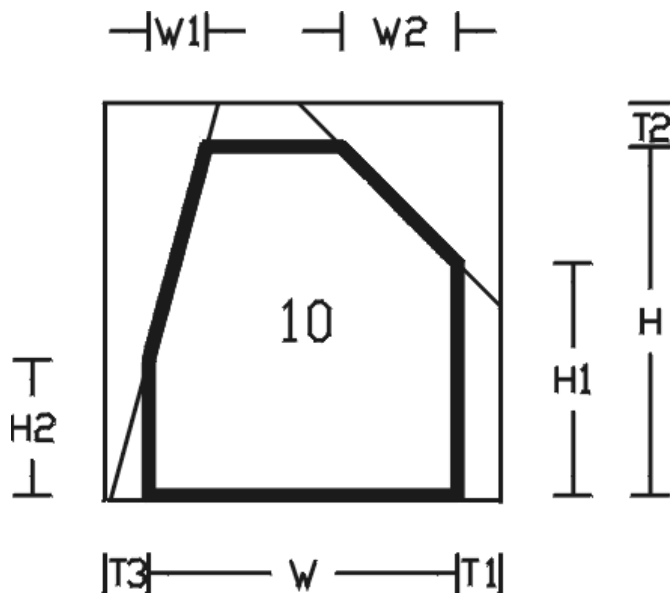


$W2 + W1 \leq W$
 $H1 < H$
 $H1 > 0$
 $W1 > 0$
 $W2 > 0$



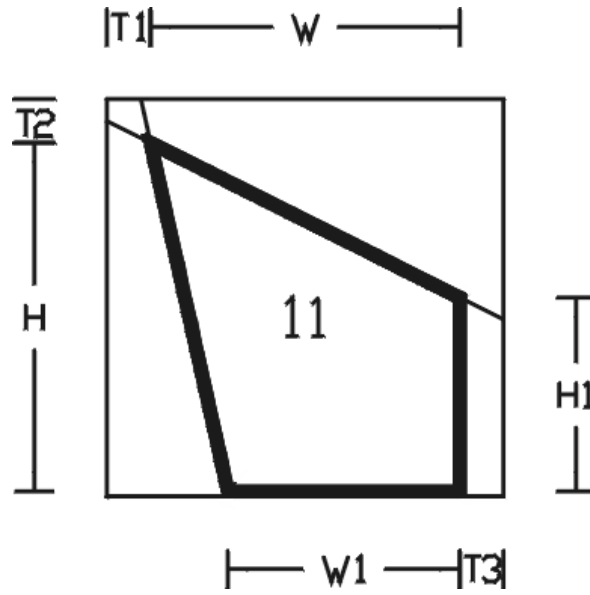


$$\begin{aligned}
 H_2 &\leq H_1 > H \\
 w_2 + w_1 &\leq w \\
 H_2 &> 0 \\
 w_1 &> 0 \\
 w_2 &> 0
 \end{aligned}$$

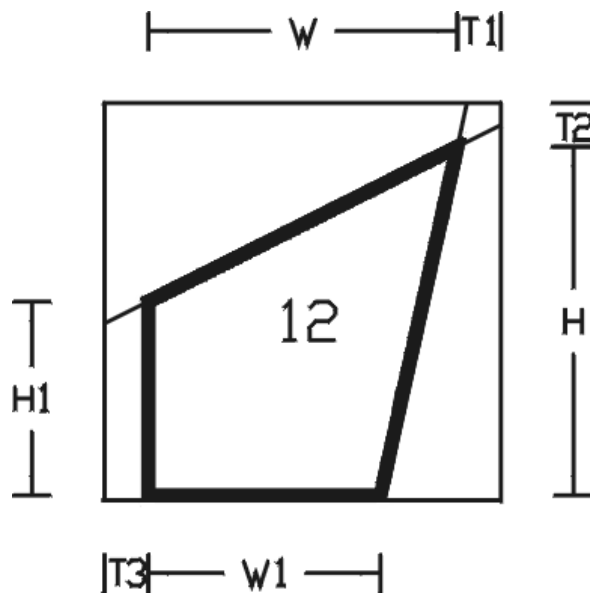


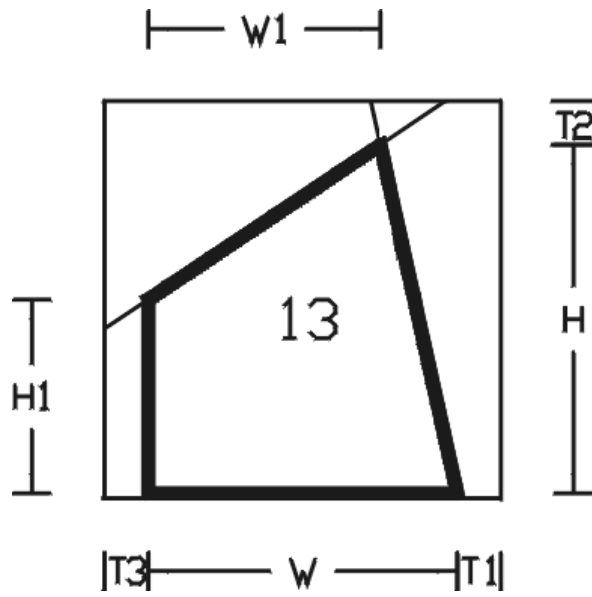
$$\begin{aligned}
 H_2 &\leq H_1 > H \\
 w_2 + w_1 &\leq w \\
 H_2 &> 0 \\
 w_1 &> 0 \\
 w_2 &> 0
 \end{aligned}$$

$H1 < H$
 $W1 < W$
 $W1 > 0$
 $H1 > 0$

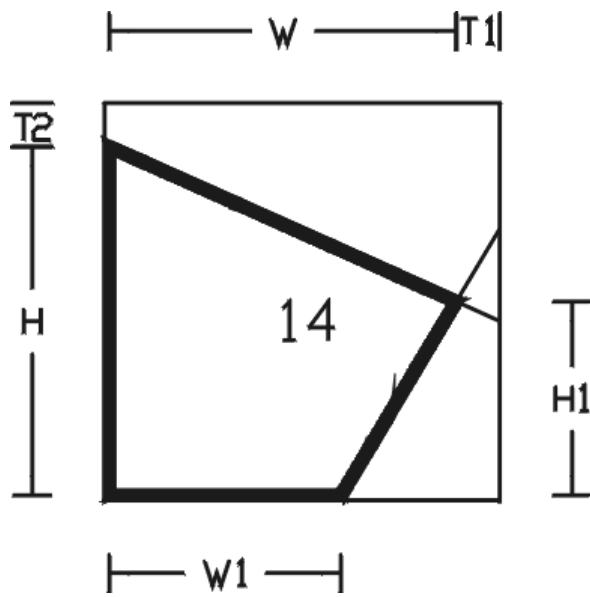


$H1 < H$
 $W1 < W$
 $W1 > 0$
 $H1 > 0$



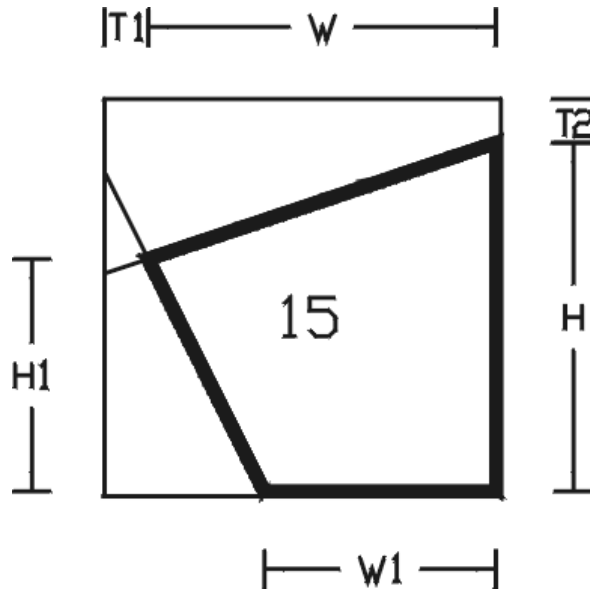


$$\begin{aligned}
 H1 &< H \\
 W1 &< W \\
 W1 &> 0 \\
 H1 &> 0
 \end{aligned}$$

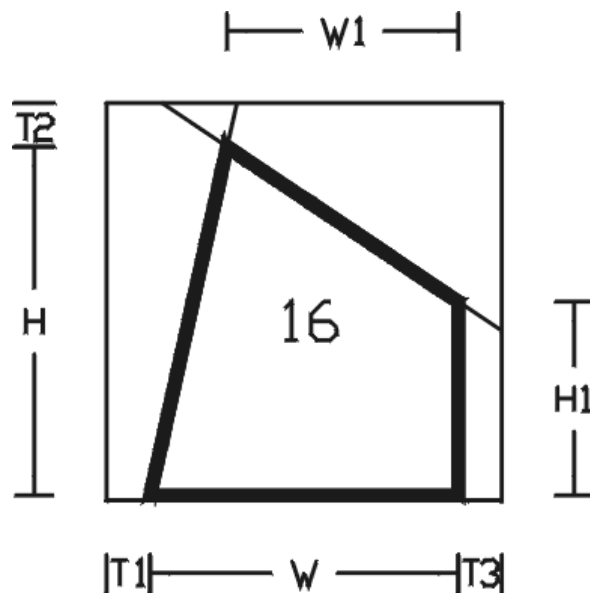


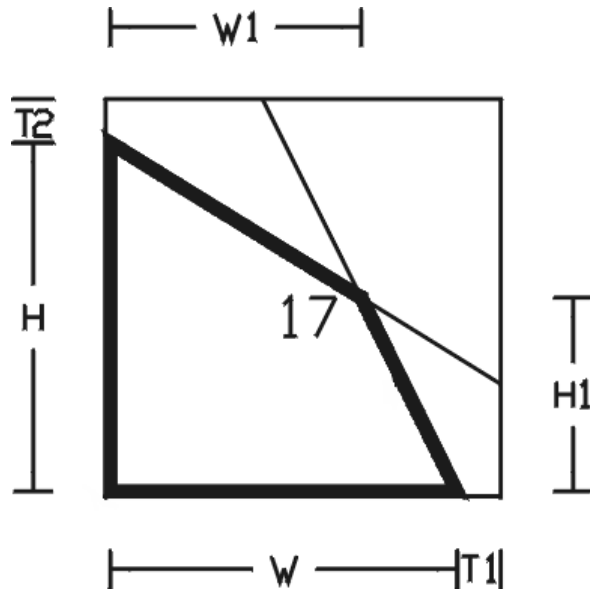
$$\begin{aligned}
 H1 &< H \\
 W1 &< W \\
 W1 &> 0 \\
 H1 &> 0
 \end{aligned}$$

$H1 < H$
 $W1 < W$
 $W1 > 0$
 $H1 > 0$

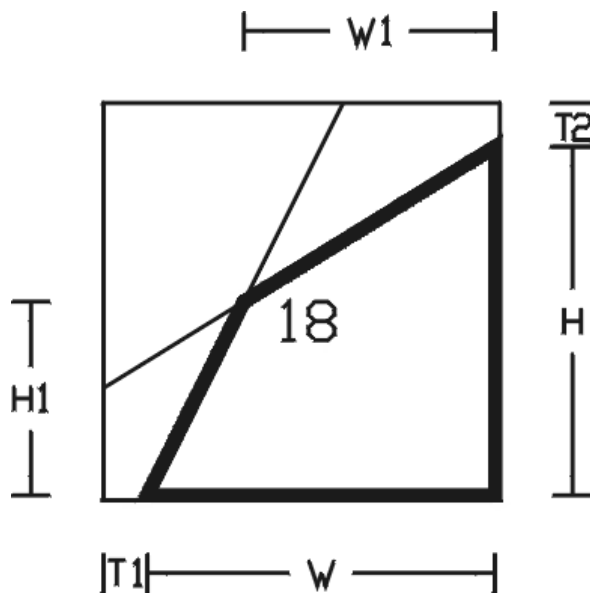


$H1 < H$
 $W1 < W$
 $W1 > 0$
 $H1 > 0$





$H_1 < H$
 $W_1 < W$
 $W_1 > 0$
 $H_1 > 0$



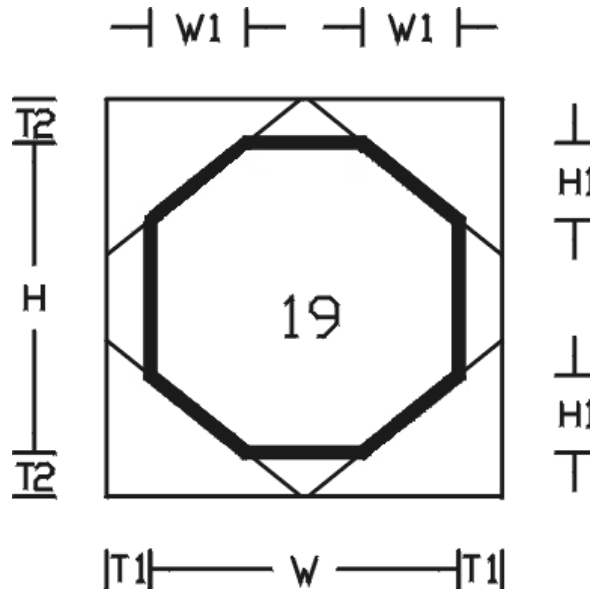
$H_1 < H$
 $W_1 < W$
 $W_1 > 0$
 $H_1 > 0$

$$2 * H1 < W$$

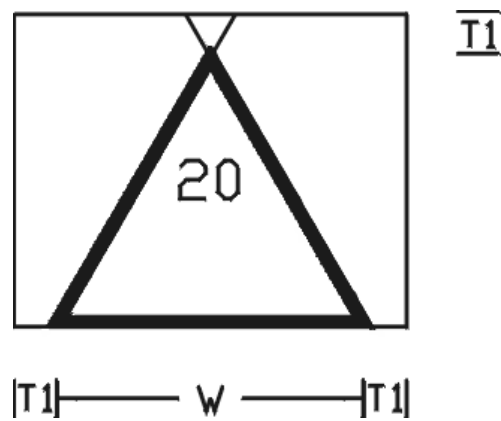
$$2 * W1 < W$$

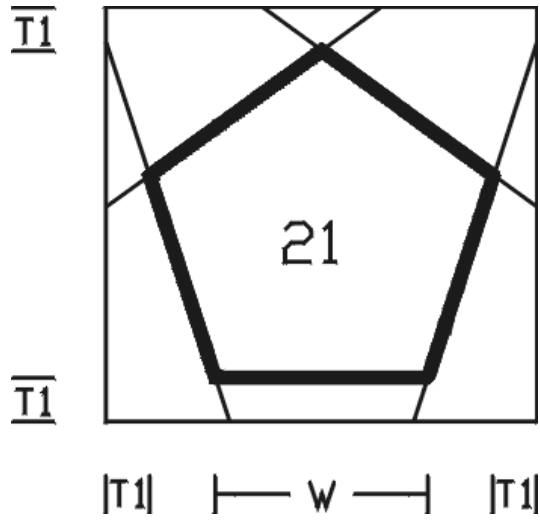
$$H1 > 0$$

$$W1 > 0$$

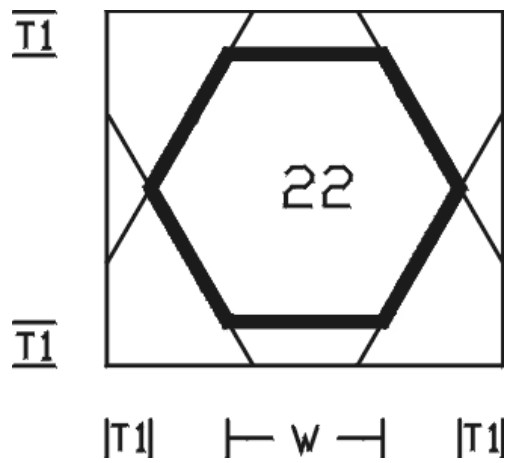


$$W > 0$$



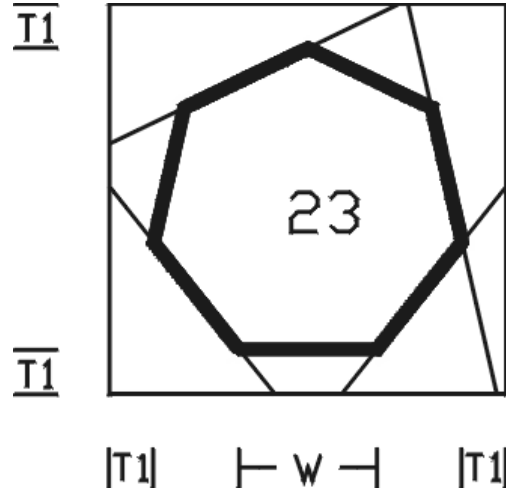


$W > 0$

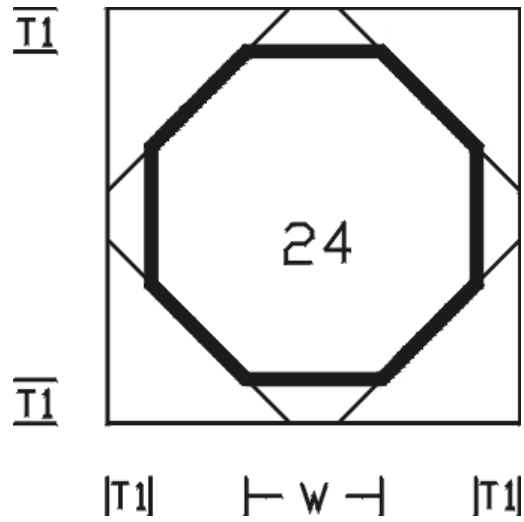


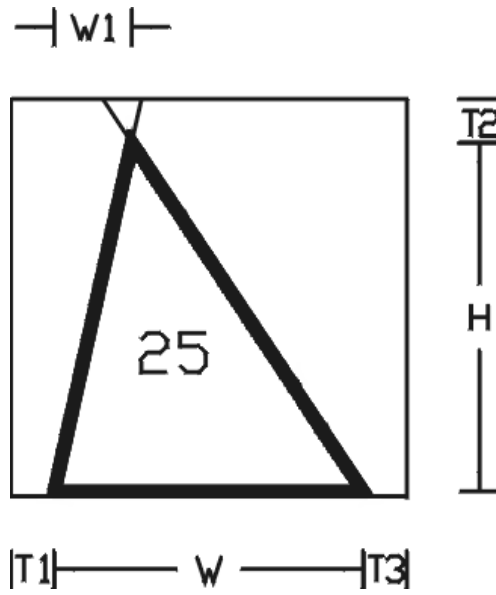
$W > 0$

$w > 0$

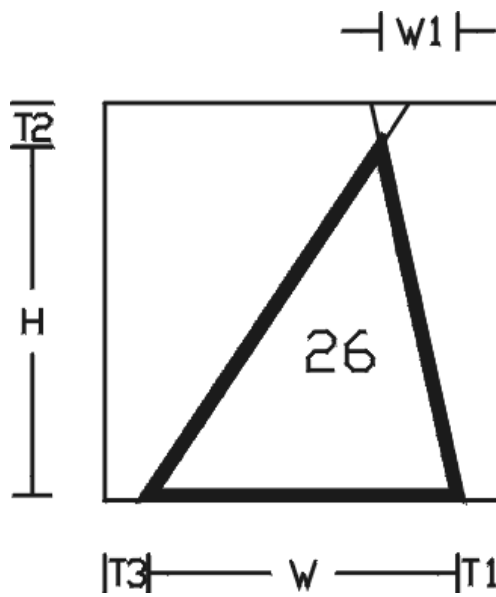


$w > 0$



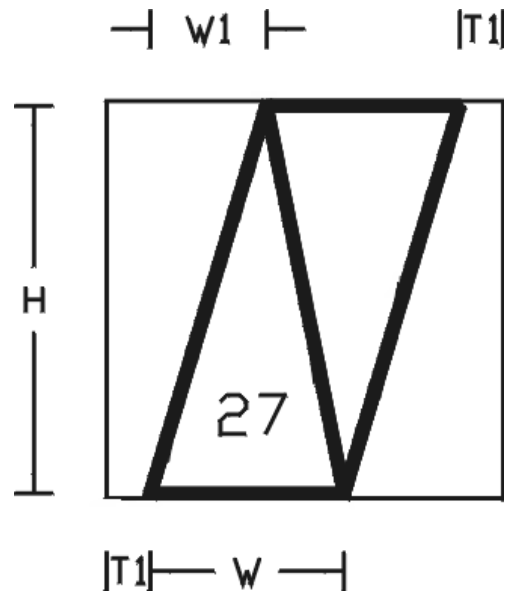


$H > 0$
 $W > 0$
 $W_1 > 0$

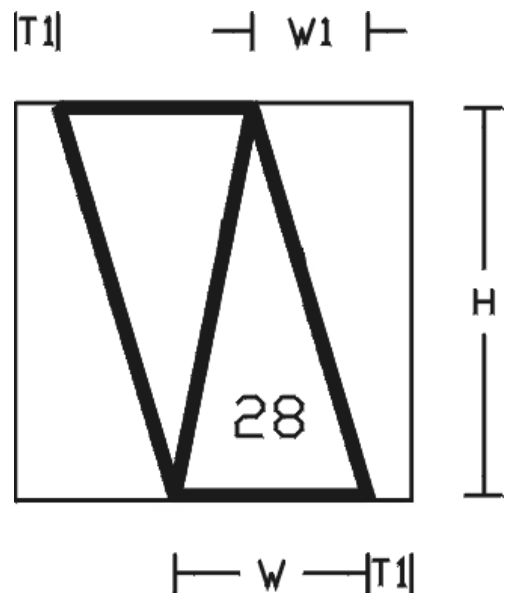


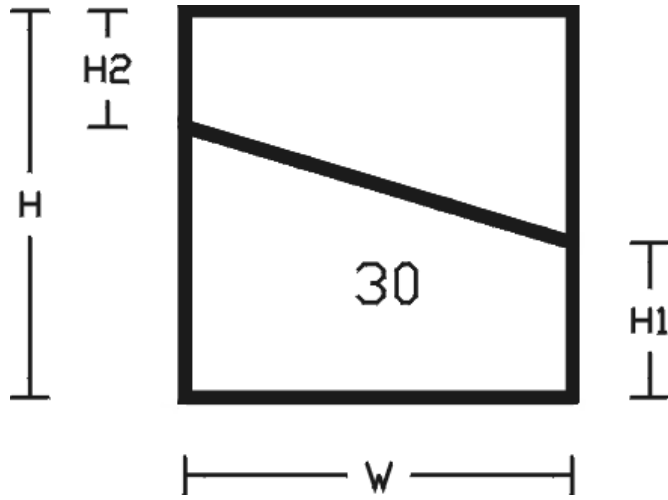
$H > 0$
 $W > 0$
 $W_1 > 0$

$H > 0$
 $W > 0$
 $W1 > 0$



$H > 0$
 $W > 0$
 $W1 > 0$



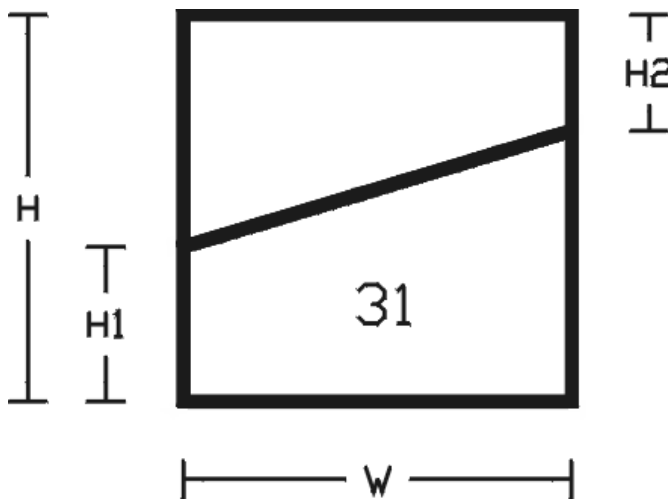


$$H > H_1 + H_2$$

$$W > 0$$

$$H_1 > 0$$

$$H_2 > 0$$



$$H > H_1 + H_2$$

$$W > 0$$

$$H_1 > 0$$

$$H_2 > 0$$

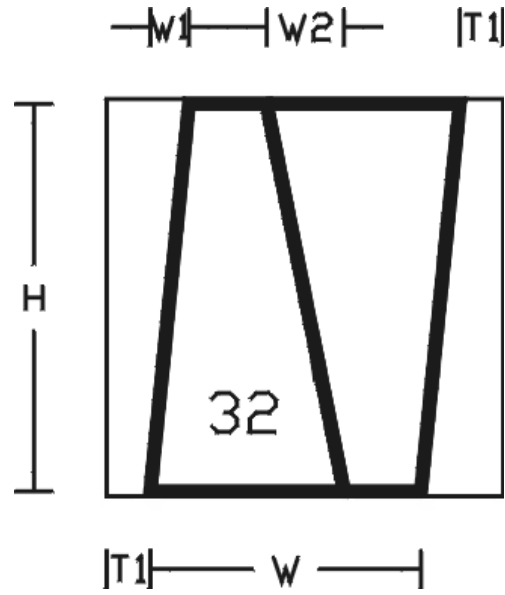
$$W2 + 2 * W1 \leq W$$

$$W > 0$$

$$H > 0$$

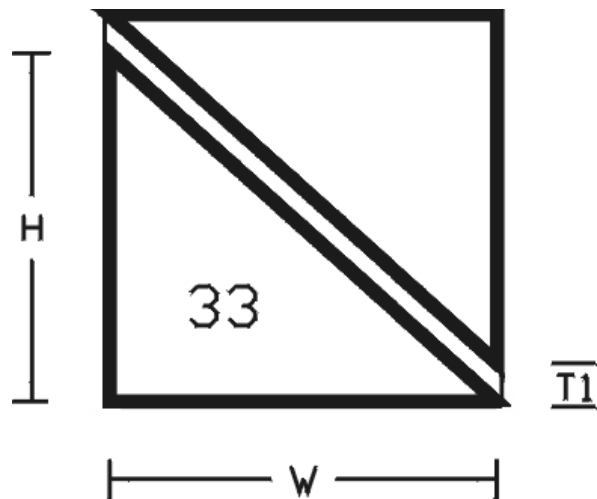
$$W1 > 0$$

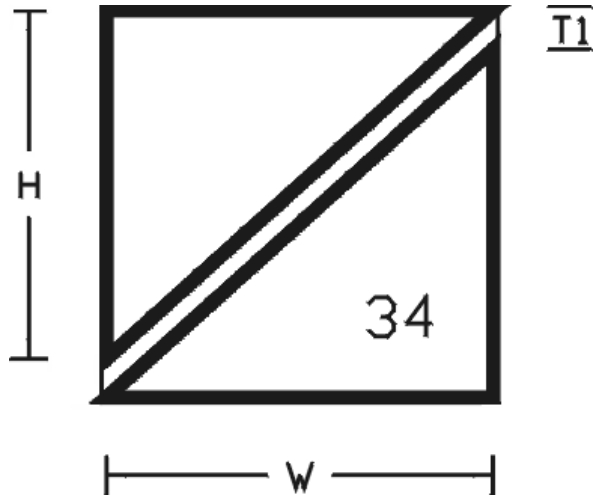
$$W2 > 0$$



$$W > 0$$

$$H > 0$$

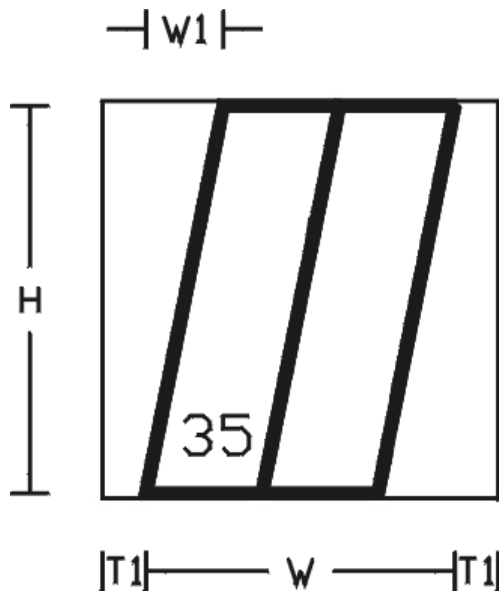




$$W1 < W$$

$$W1 > 0$$

$$H > 0$$



$$W1 < W$$

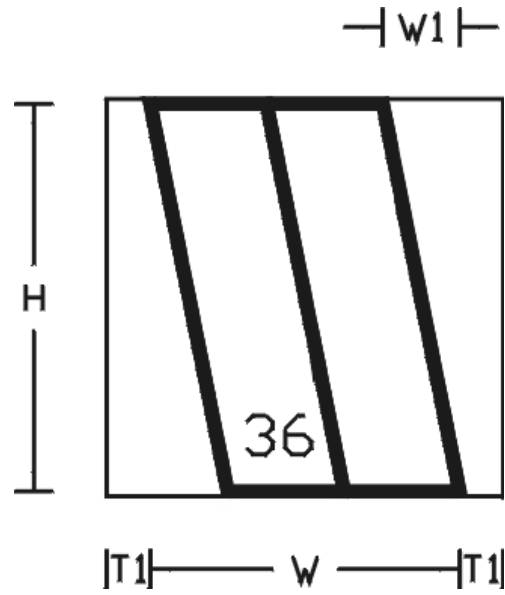
$$W1 > 0$$

$$H > 0$$

$$W1 < W$$

$$W1 > 0$$

$$H > 0$$



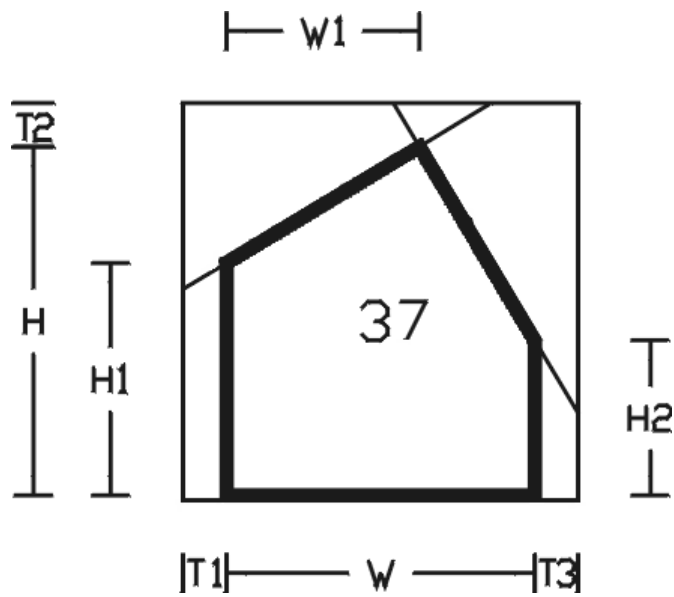
$$H2 \leq H1 < H$$

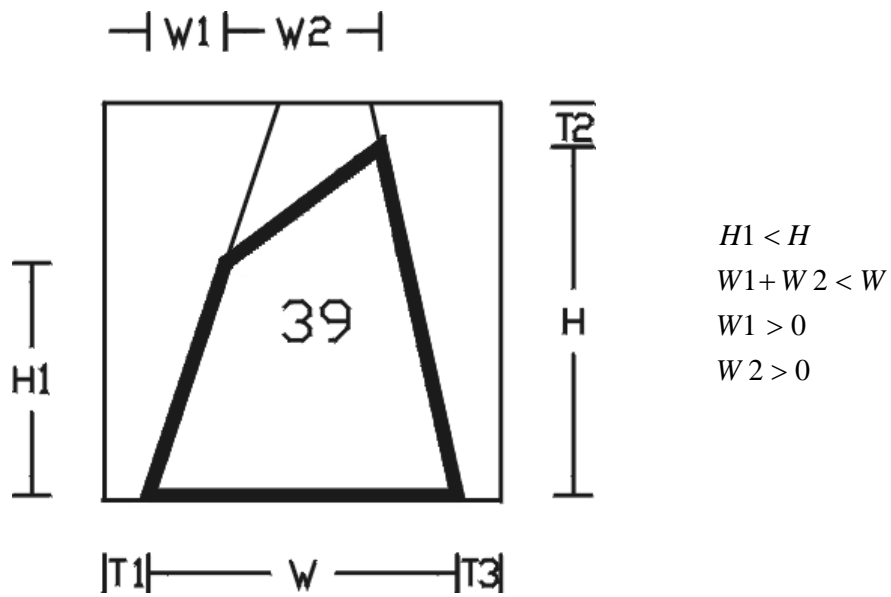
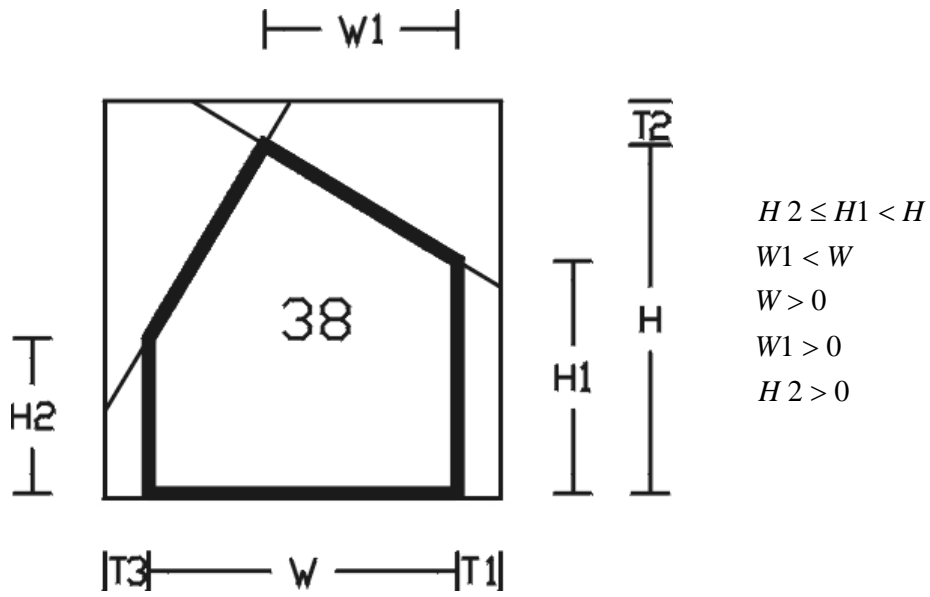
$$W1 < W$$

$$W > 0$$

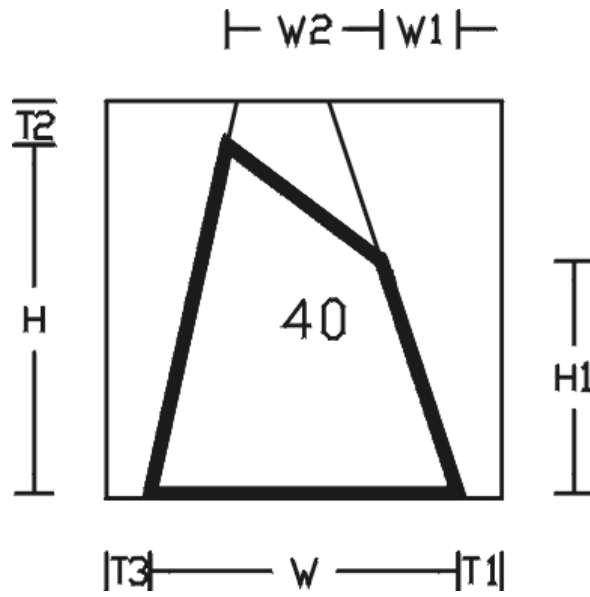
$$W1 > 0$$

$$H2 > 0$$

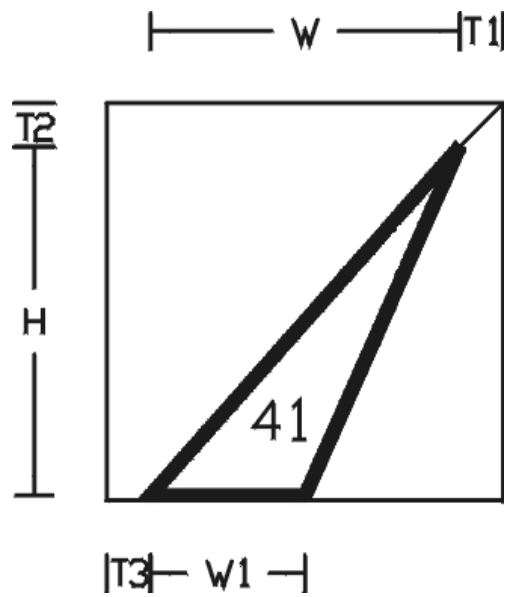


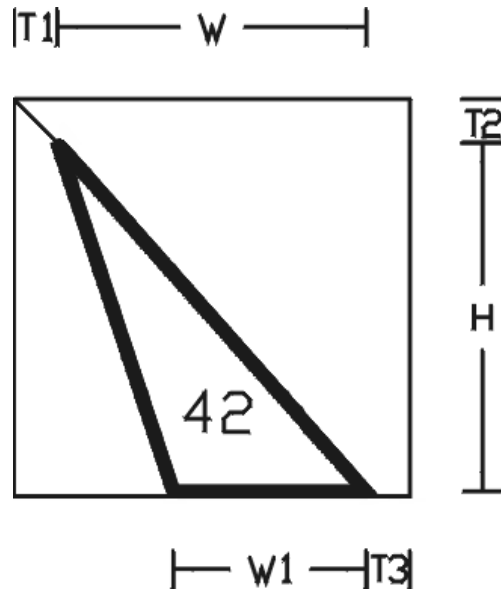


$$\begin{aligned}
 H1 &< H \\
 W1 + W2 &< W \\
 W1 &> 0 \\
 W2 &> 0
 \end{aligned}$$



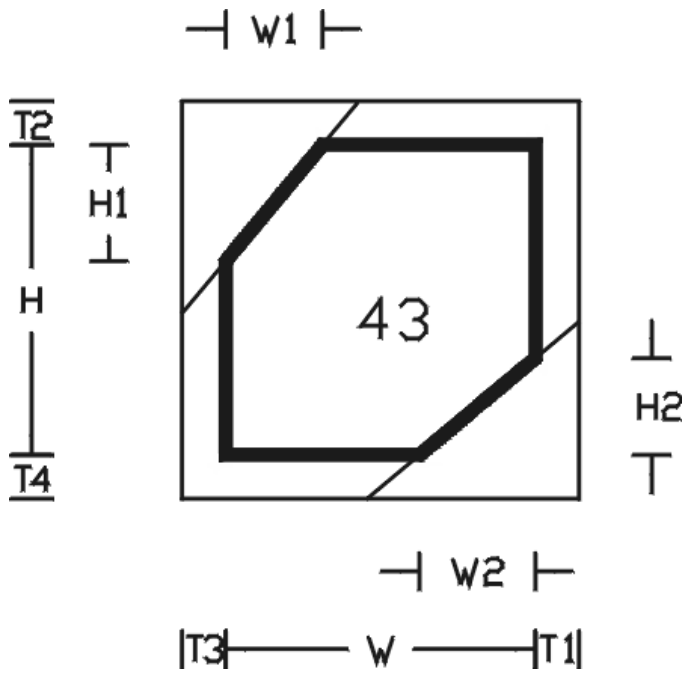
$$\begin{aligned}
 W &> W1 > 0 \\
 H &> 0
 \end{aligned}$$





$$W > W_1 > 0$$

$$H > 0$$



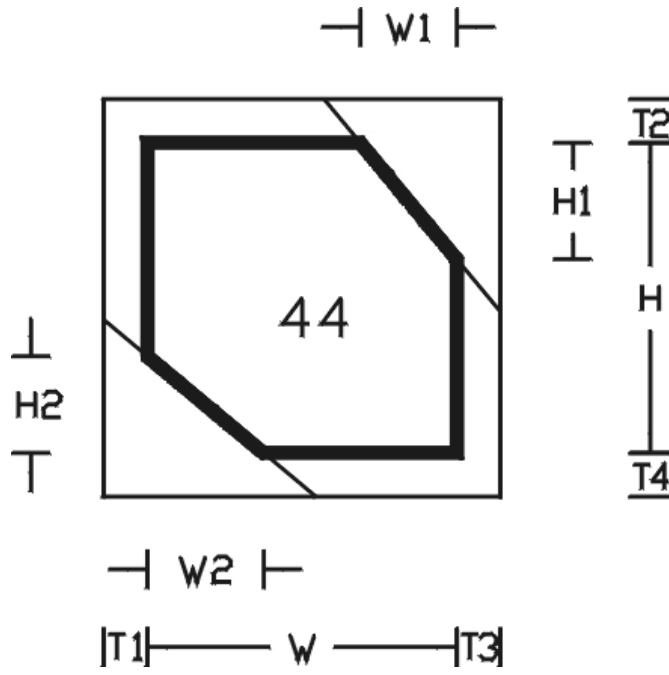
$$H > H_1 > 0$$

$$H > H_2 > 0$$

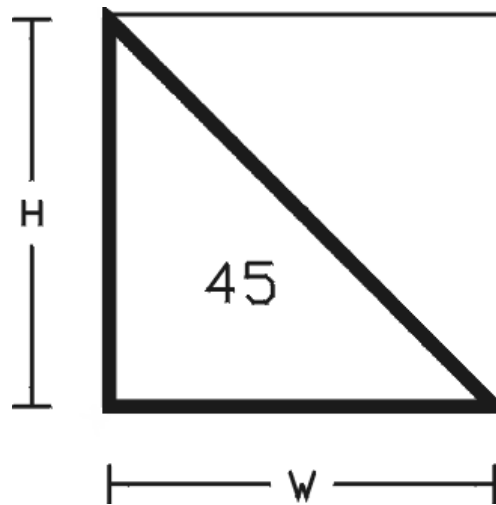
$$W > W_1 > 0$$

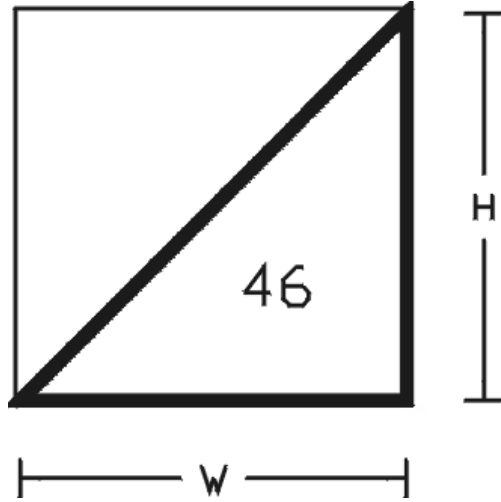
$$W > W_2 > 0$$

$$\begin{aligned}
 H > H1 > 0 \\
 H > H2 > 0 \\
 W > W1 > 0 \\
 W > W2 > 0
 \end{aligned}$$



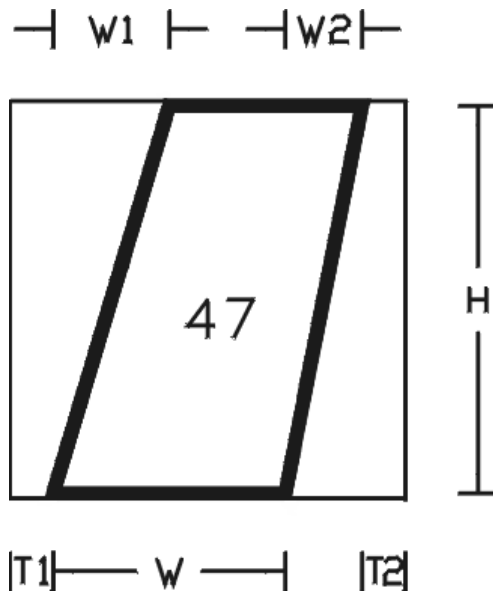
$$\begin{aligned}
 W > 0 \\
 H > 0
 \end{aligned}$$





$$W > 0$$

$$H > 0$$



$$W > 0$$

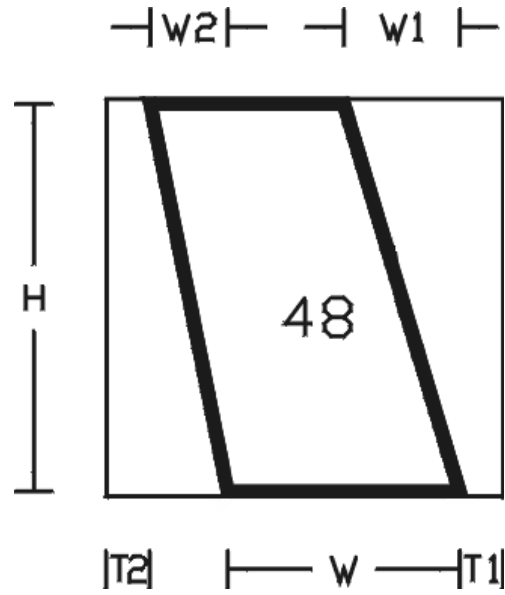
$$H > 0$$

$$W1 \leq W$$

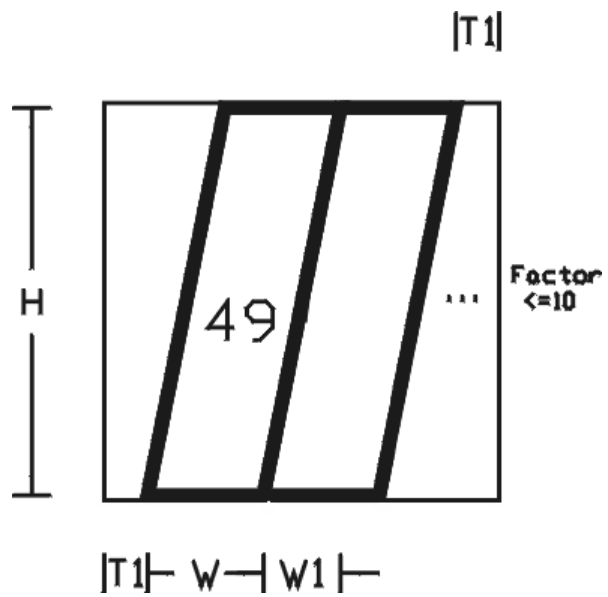
$$W1 > 0$$

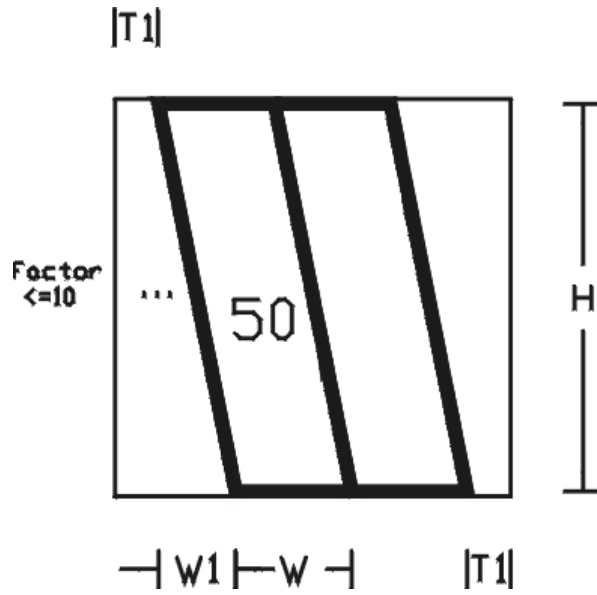
$$H1 > 0$$

$W > 0$
 $H > 0$
 $W1 \geq 0$
 $W2 \geq 0$
 $W + W2 > W1$

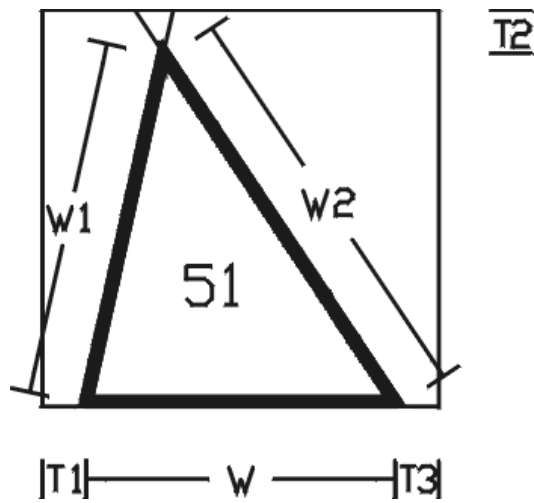


$W > 0$
 $H > 0$
 $W1 > 0$
 $Factor > 0$





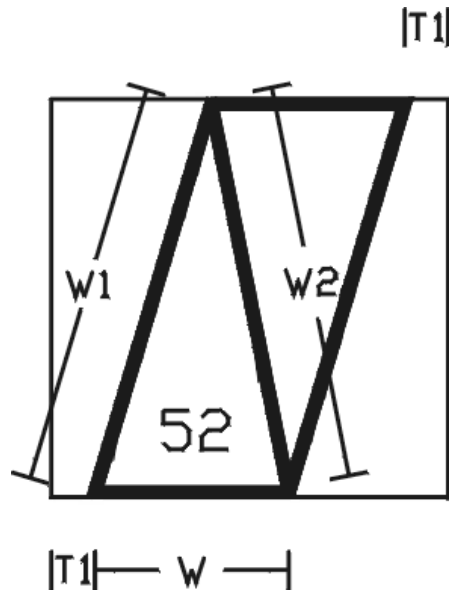
$W > 0$
 $H > 0$
 $W1 > 0$
 $Factor > 0$



$W1 \leq \sqrt{W^2 + W2^2}$
 $W2 \leq \sqrt{W^2 + W1^2}$

$$W1 \leq \sqrt{W^2 + W2^2}$$

$$W2 \leq \sqrt{W^2 + W1^2}$$



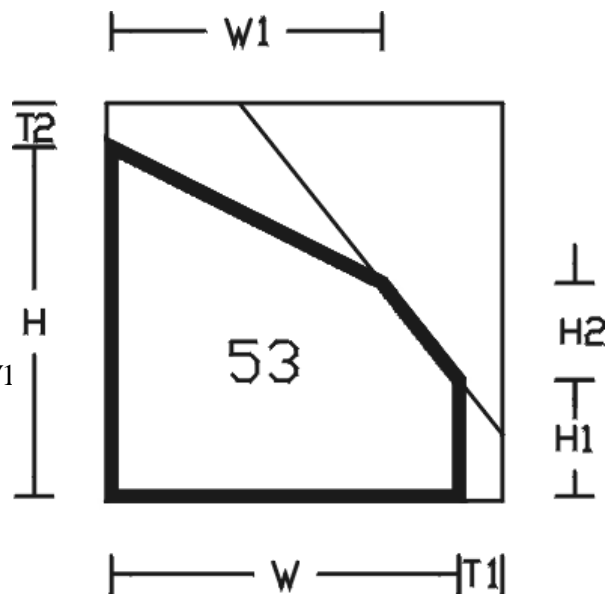
$$H1 > 0$$

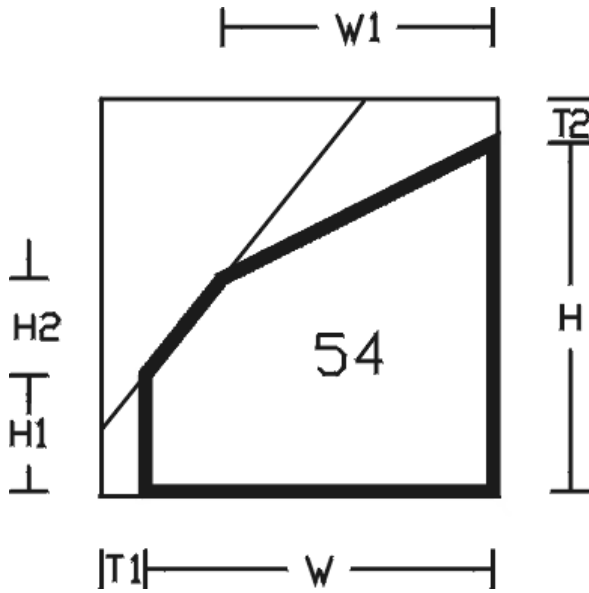
$$H2 > 0$$

$$H > H1 + H2 > H$$

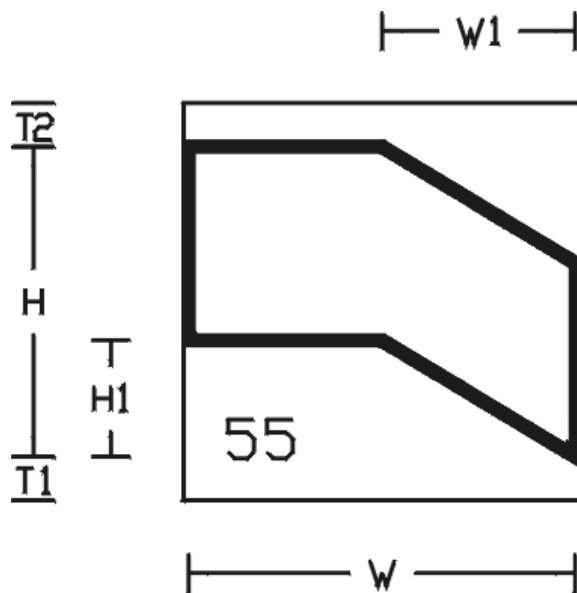
$$W > W1 > 0$$

$$H2 / (W - W1) > (H - H1 - H2) / W1$$



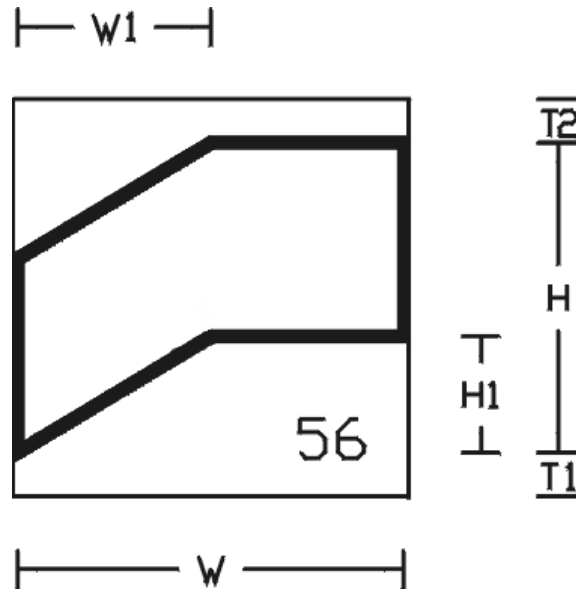


$$\begin{aligned}
 &H_1 > 0 \\
 &H_2 > 0 \\
 &H > H_1 + H_2 > H \\
 &W > W_1 > 0 \\
 &H_2 / (W - W_1) > (H - H_1 - H_2) / W_1
 \end{aligned}$$

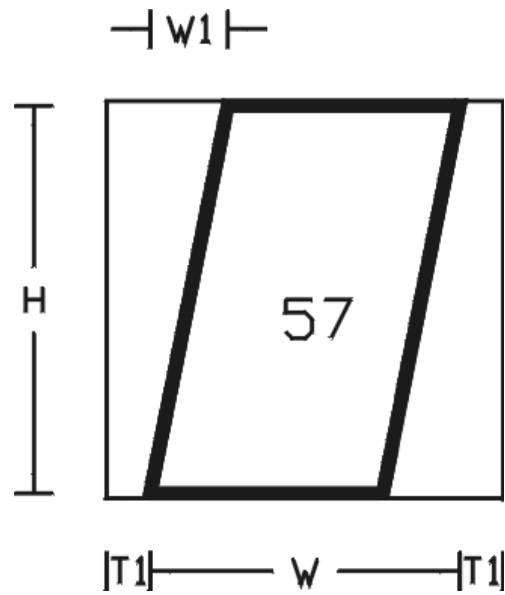


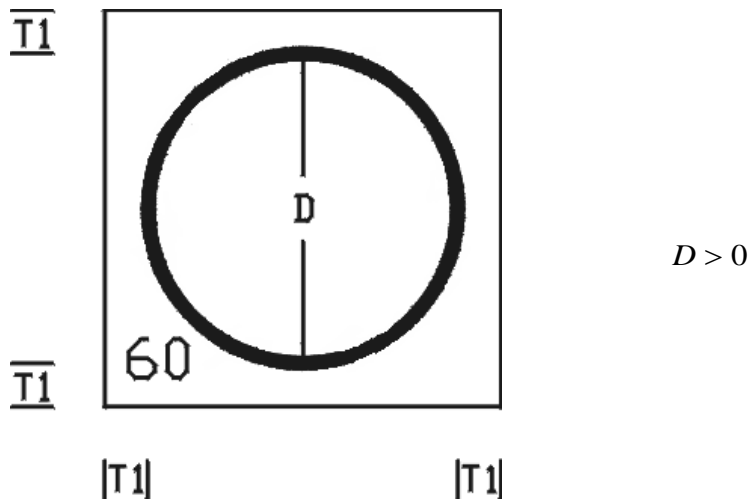
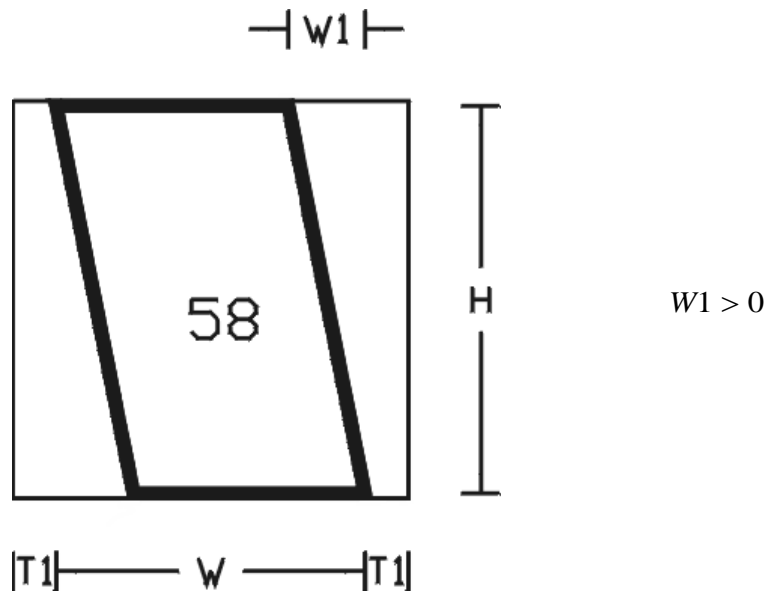
$$\begin{aligned}
 &H_1 > 0 \\
 &H_2 > 0 \\
 &H > H_1 > 0 \\
 &W > W_1 > 0
 \end{aligned}$$

$H1 > 0$
 $H2 > 0$
 $H > H1 > 0$
 $W > W1 > 0$

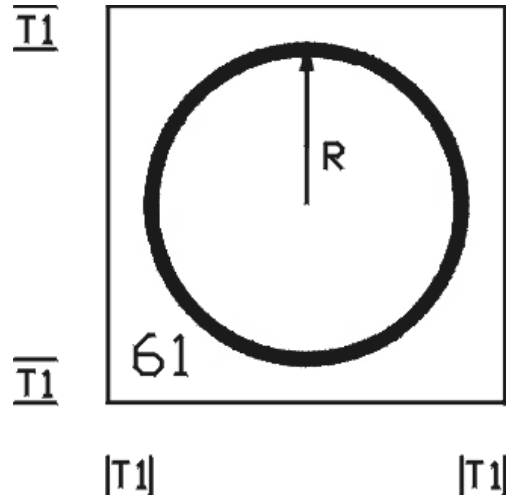


$W1 > 0$

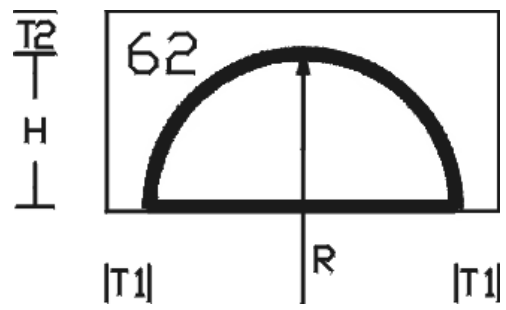


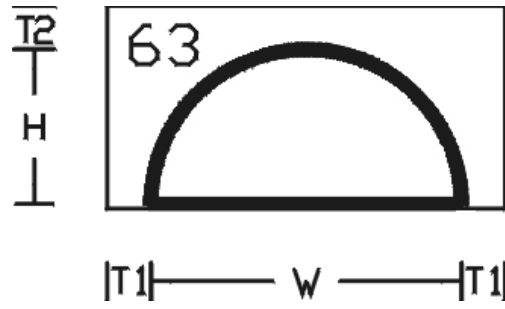


$R > 0$



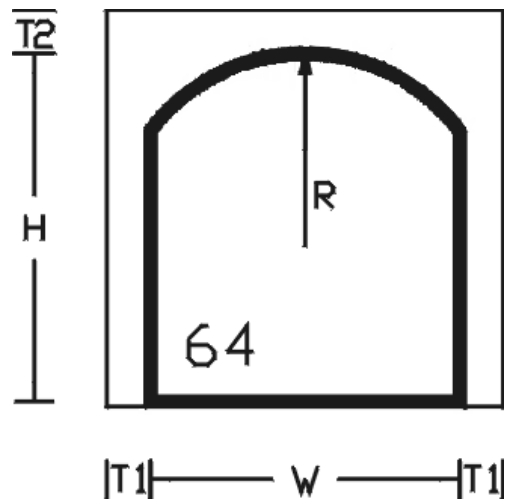
$H \leq R$
 $H > 0$





$$2 * H \leq R$$

$$H > 0$$



$$W \leq 2 * R$$

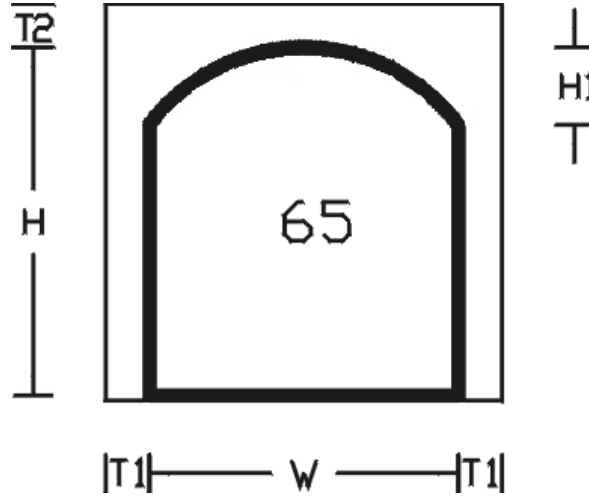
$$R - \sqrt{R^2 - \frac{W^2}{4}} < H$$

$$R - \sqrt{R^2 - \frac{W^2}{4}} > 0$$

$$2 * H1 \leq W$$

$$H1 < H$$

$$H1 > 0$$



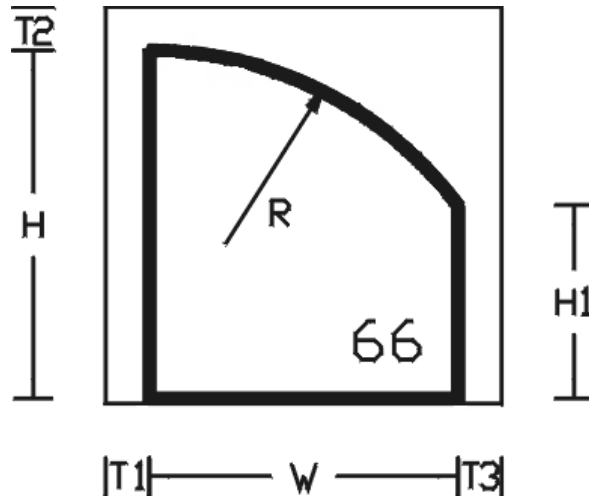
$$H1 < H$$

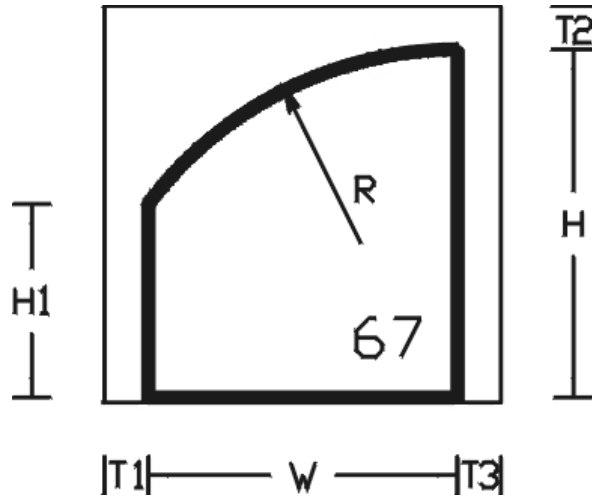
$$\sqrt{w^2 + (H - H1)^2} \leq 2 * R$$

$$W > 0$$

$$H1 > 0$$

$$R > 0$$





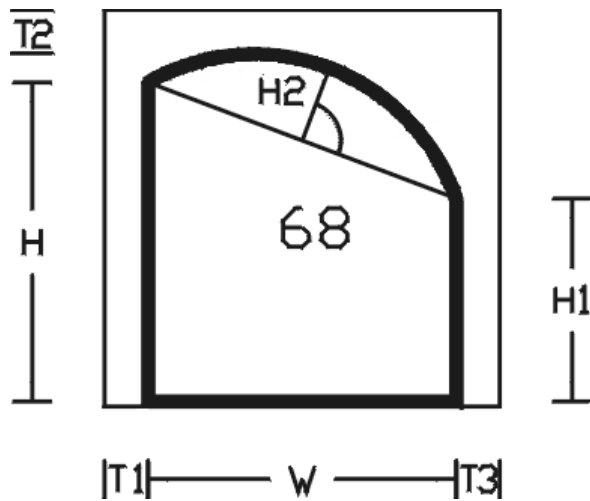
$$H_1 < H$$

$$\sqrt{W^2 + (H - H_1)^2} \leq 2 * R$$

$$W > 0$$

$$H_1 > 0$$

$$R > 0$$



$$H_1 < H$$

$$2 * H_2 \leq \sqrt{W^2 + (H - H_1)^2}$$

$$H_2 > 0$$

$$H_1 > 0$$

$$W > 0$$

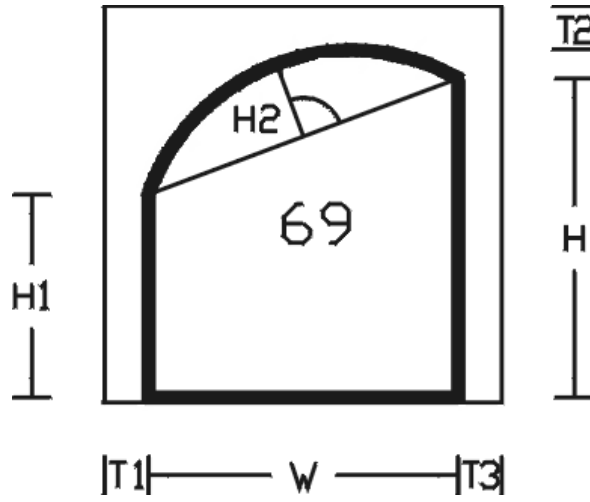
$$H1 < H$$

$$2 * H2 \leq \sqrt{W^2 + (H - H1)^2}$$

$$H2 > 0$$

$$H1 > 0$$

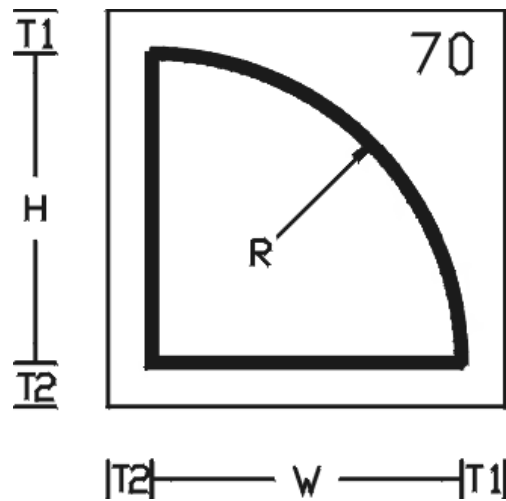
$$W > 0$$

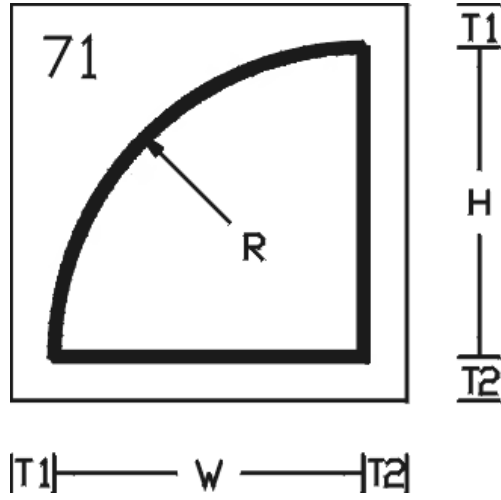


$$\sqrt{W^2 + H^2} \leq 2 * R$$

$$H > 0$$

$$W > 0$$

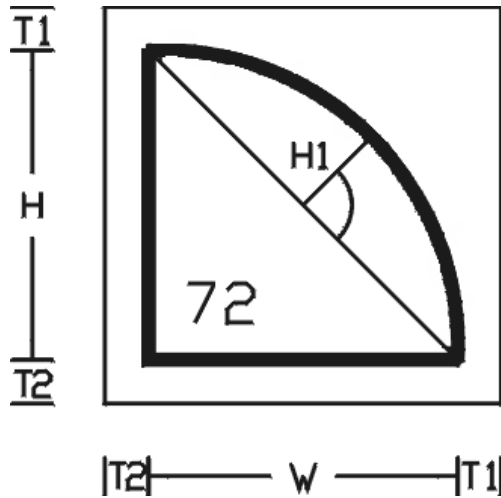




$$\sqrt{W^2 + H^2} \leq 2 * R$$

$$H > 0$$

$$W > 0$$



$$2 * H1 \leq \sqrt{W^2 + H^2}$$

$$W > 0$$

$$H > 0$$

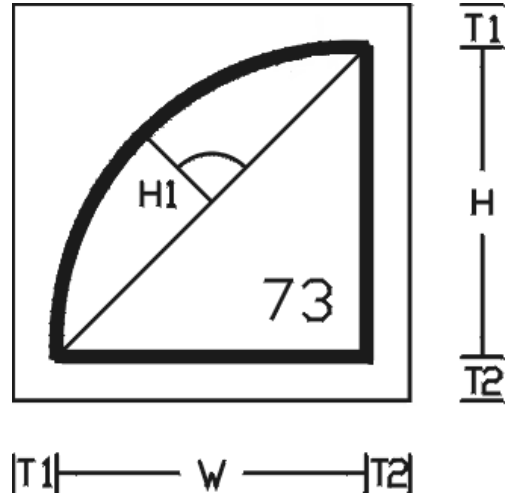
$$H1 > 0$$

$$2 * H1 \leq \sqrt{W^2 + H^2}$$

$$W > 0$$

$$H > 0$$

$$H1 > 0$$



$$R1 \leq H$$

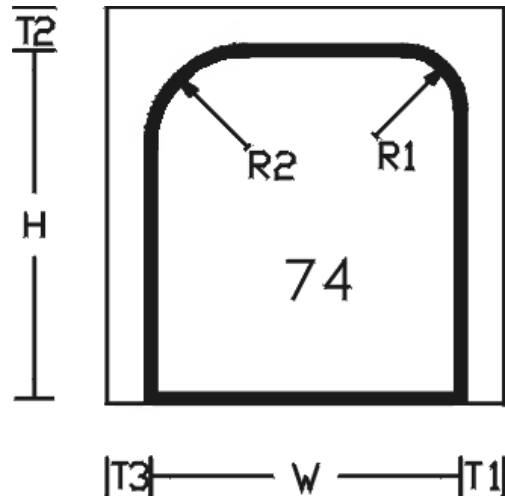
$$R2 \leq H$$

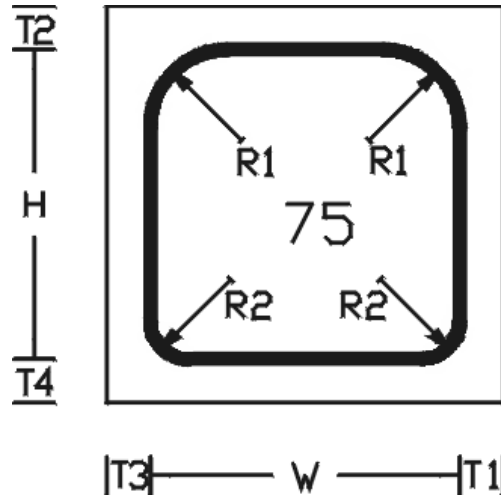
$$R1 + R2 \leq W$$

$$R1 > 0$$

$$R2 > 0$$

$$W > 0$$





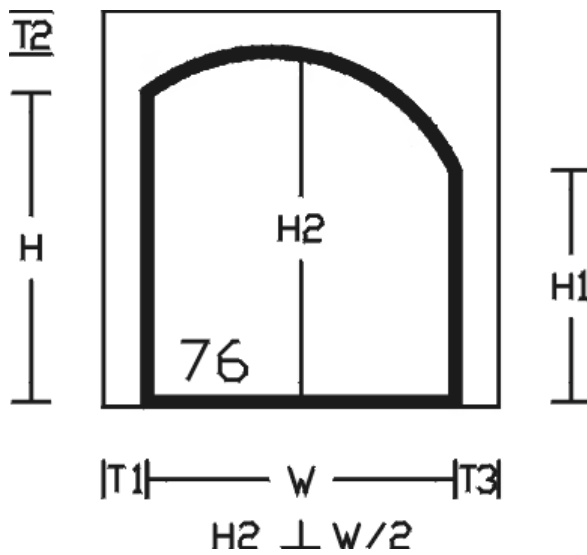
$$2 * R1 \leq W$$

$$2 * R2 \leq W$$

$$R1 + R2 \leq H$$

$$R1 > 0$$

$$R2 > 0$$



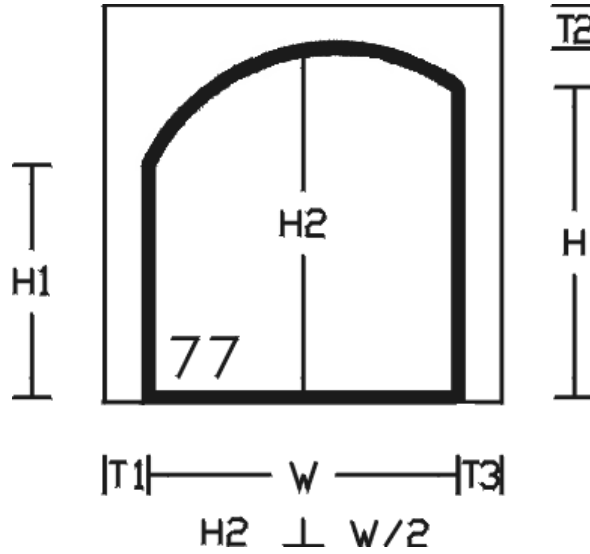
$$H > H1$$

$$H2 > \frac{(H + H1)}{2}$$

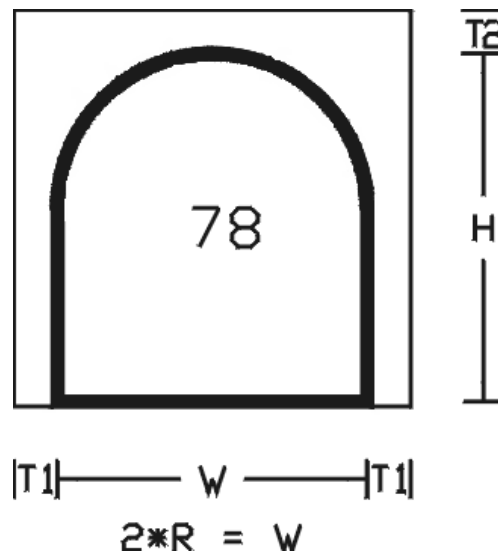
$$H1 > 0$$

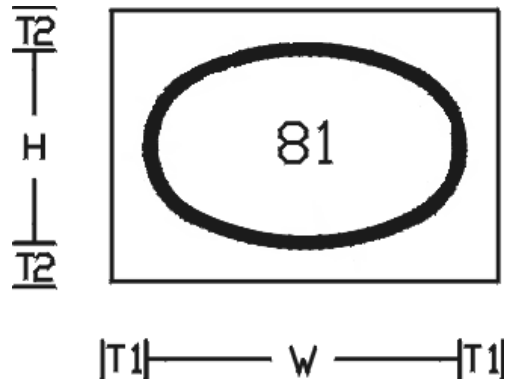
$$W > 0$$

$$\begin{aligned}
 H &> H1 \\
 H2 &> \frac{(H+H1)}{2} \\
 H1 &> 0 \\
 W &> 0
 \end{aligned}$$



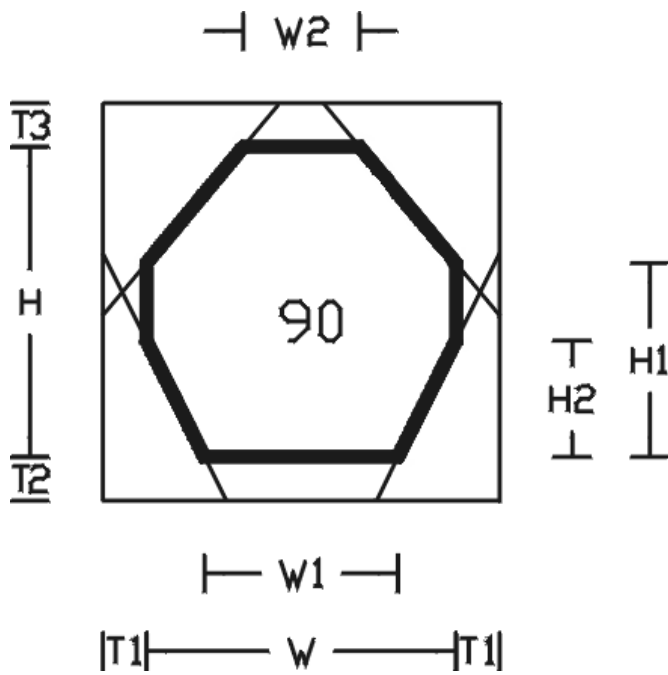
$$\begin{aligned}
 H &> 0 \\
 W &> 0 \\
 H &> \frac{W}{2}
 \end{aligned}$$





$$H < W < 10 * H$$

$$H > 0$$



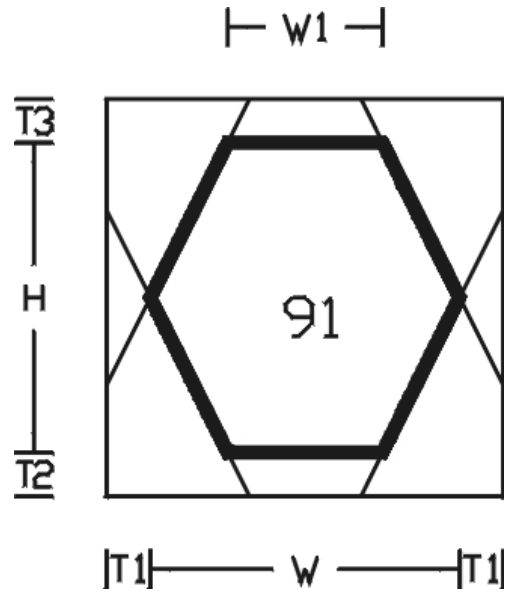
$$W > W1 > 0$$

$$W2 > 0$$

$$H > H1 > H2 > 0$$

$$W > W1 > 0$$

$$H > 0$$

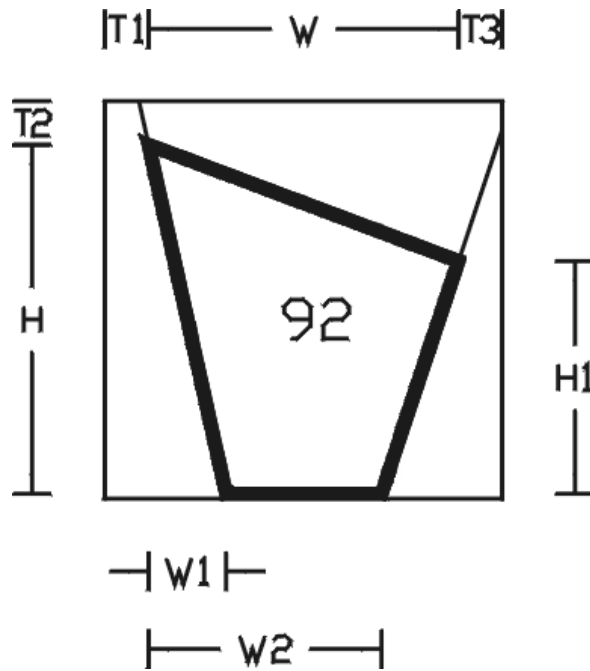


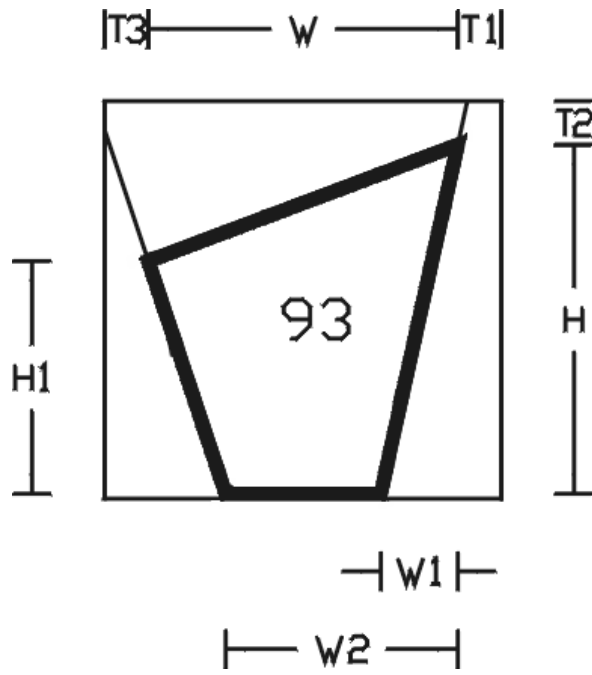
$$W \geq W2$$

$$W1 \geq 0$$

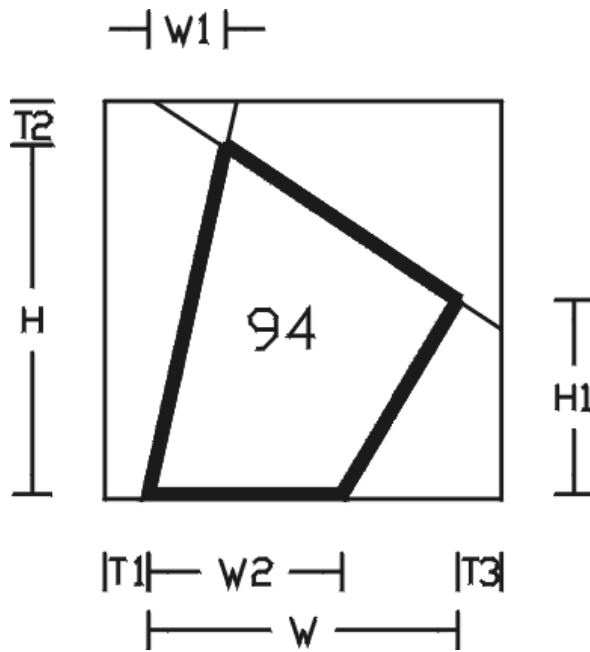
$$W2 > W$$

$$H \geq H1 > 0$$



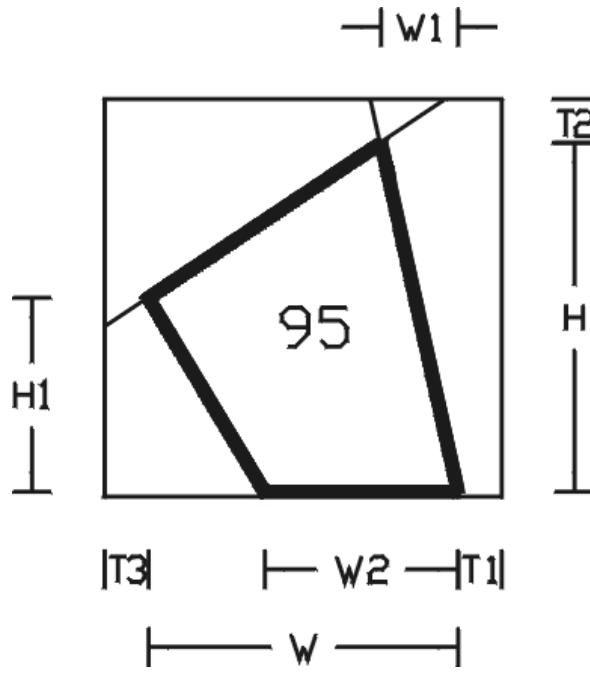


$$\begin{aligned}
 W &\geq W_2 \\
 W_1 &\geq 0 \\
 W_2 &> W \\
 H &\geq H_1 > 0
 \end{aligned}$$

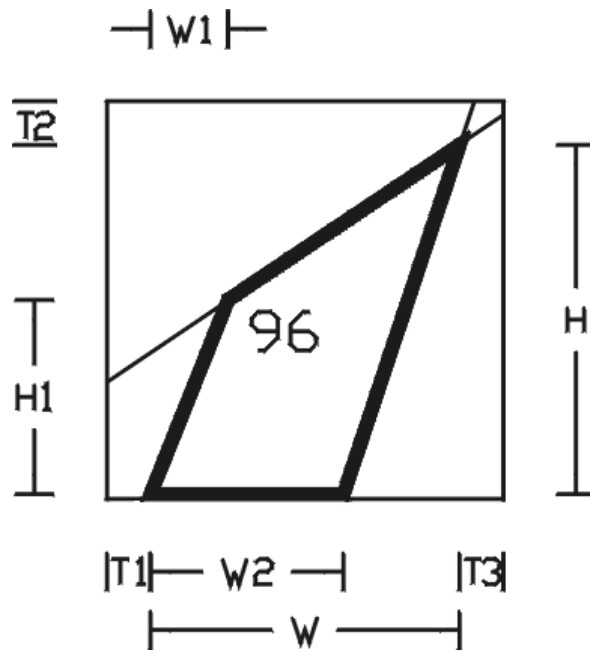


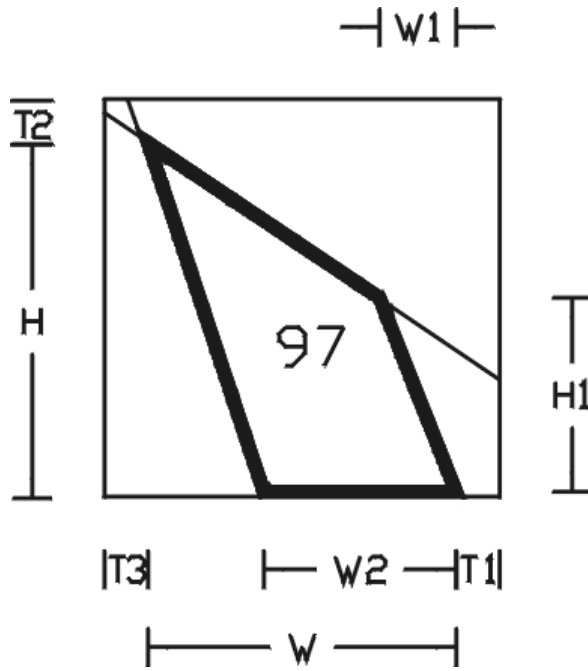
$$\begin{aligned}
 W_1 &> 0 \\
 W_2 &> 0 \\
 W &> W_1 \\
 W &> W_2 \\
 H &\geq H_1 > 0
 \end{aligned}$$

$W1 > 0$
 $W2 > 0$
 $W > W1$
 $W > W2$
 $H \geq H1 > 0$

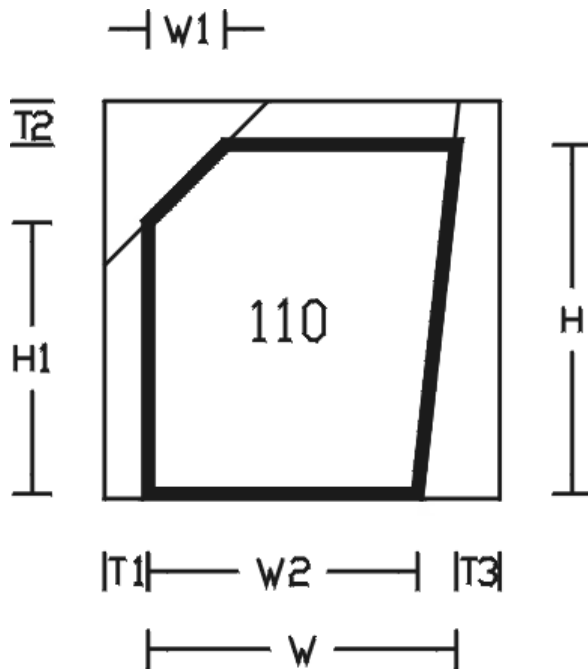


$W1 > 0$
 $W2 > 0$
 $W > W1$
 $W > W2$
 $H \geq H1 > 0$



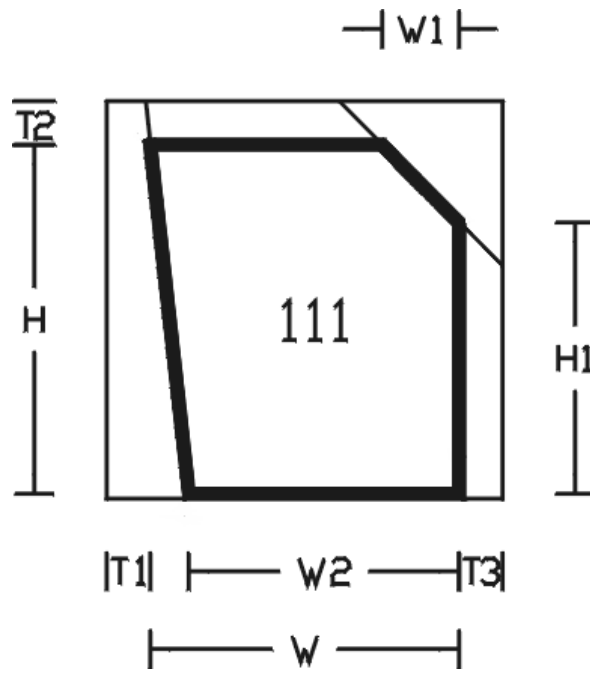


$w_1 > 0$
 $w_2 > 0$
 $w > w_1$
 $w > w_2$
 $H \geq H_1 > 0$

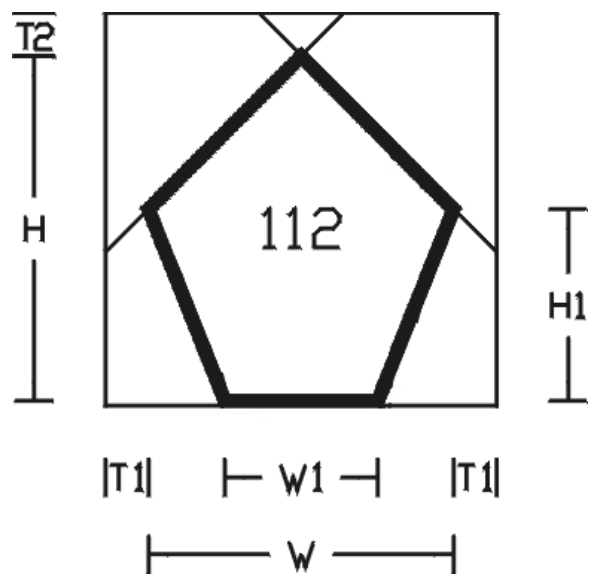


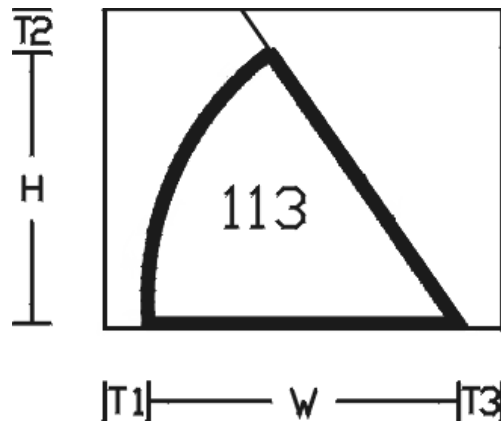
$w > w_1$
 $w \geq w_2$
 $w_1 > 0$
 $w_2 > 0$
 $H > H_1 > 0$

$$\begin{aligned}
 W &> W_1 \\
 W &\geq W_2 \\
 W_1 &> 0 \\
 W_2 &> 0 \\
 H &> H_1 > 0
 \end{aligned}$$



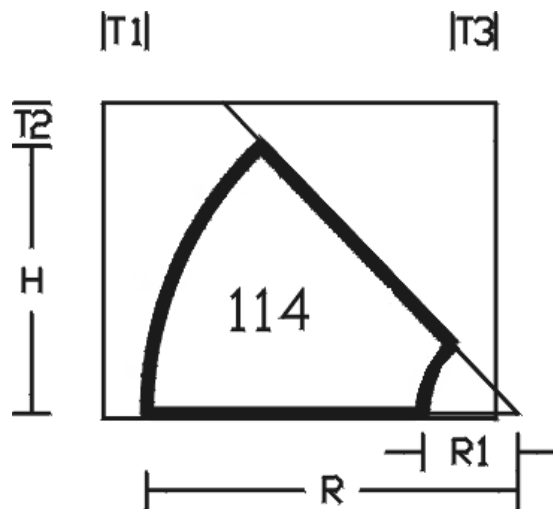
$$\begin{aligned}
 W_1 &> 0 \\
 W &\geq W_1 \\
 H &> H_1 > 0
 \end{aligned}$$





$$H > 0$$

$$W \geq H$$



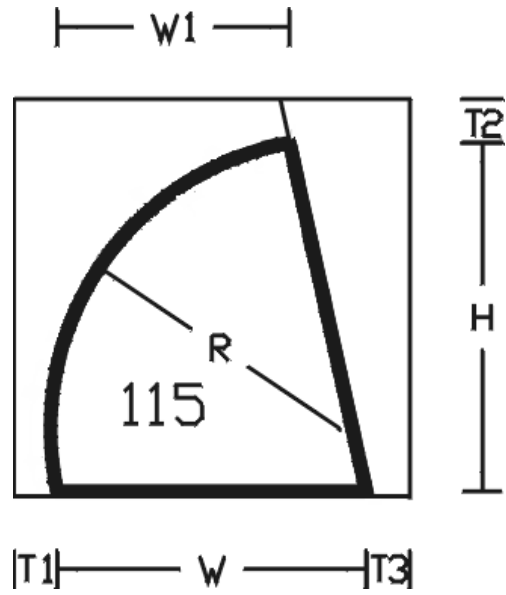
$$R > R_1 > 0$$

$$R \geq H$$

$$H > 0$$

$$W \geq W1 > 0$$

$$2R \geq \sqrt{W1^2 + H^2}$$

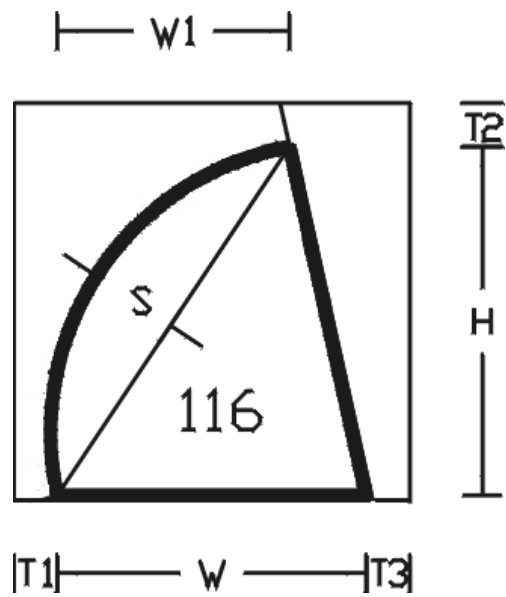


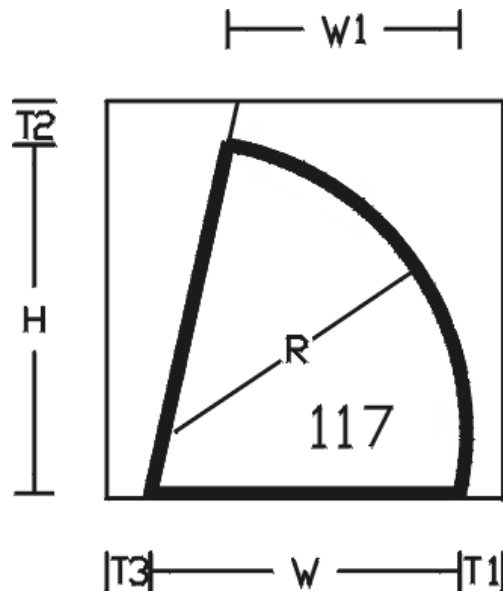
$$W \geq W1 > 0$$

$$S > 0$$

$$H > 0$$

$$2S \geq \sqrt{W1^2 + H^2}$$

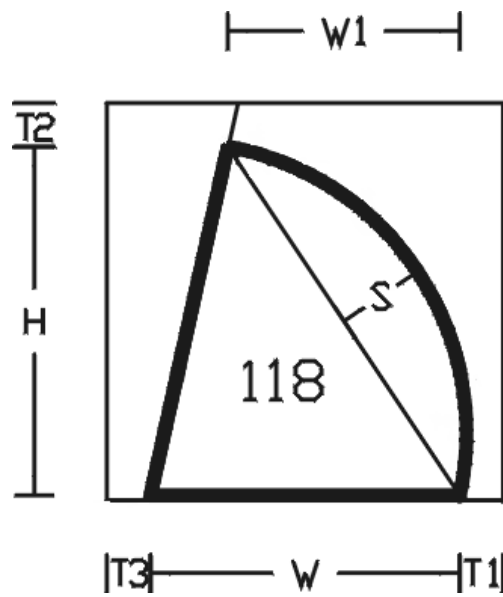




$$W \geq W1 > 0$$

$$2R \geq \sqrt{W1^2 + H^2}$$

$$H > 0$$

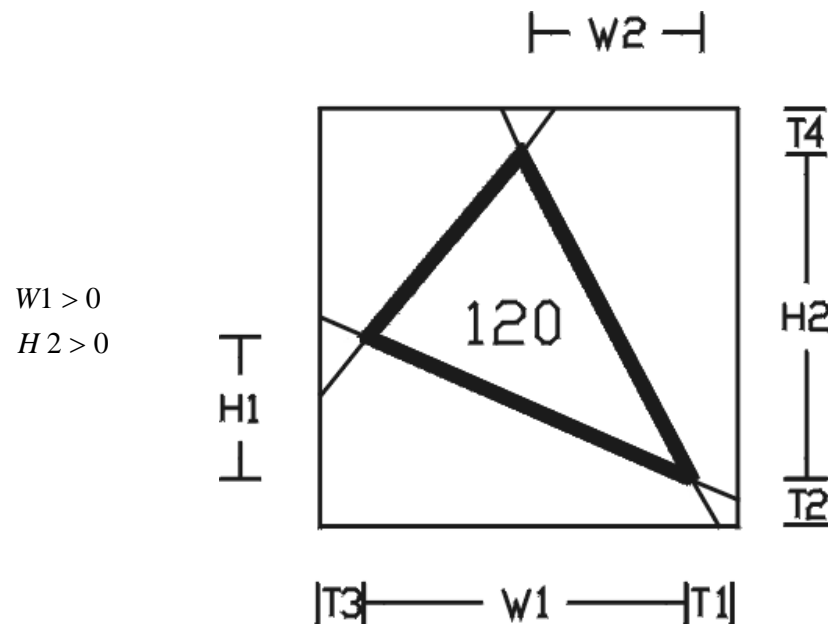
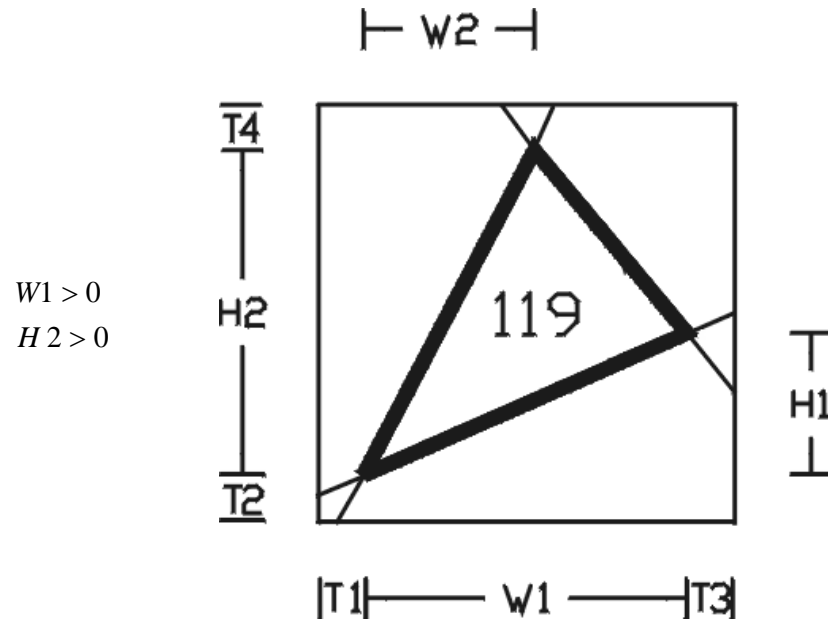


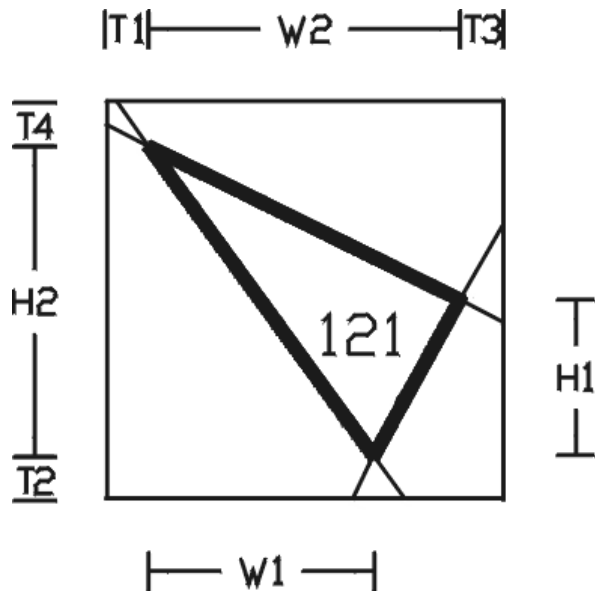
$$W \geq W1 > 0$$

$$S > 0$$

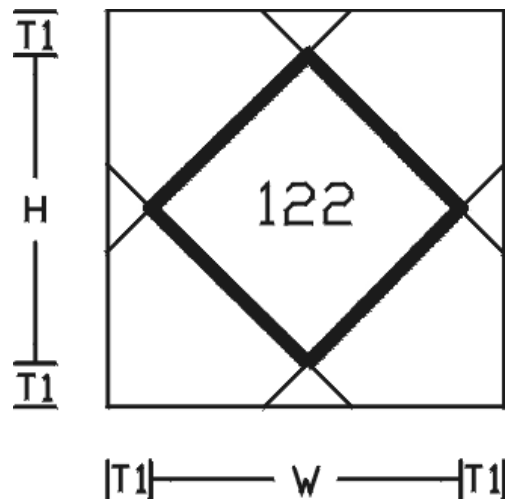
$$H > 0$$

$$2S \geq \sqrt{W1^2 + H^2}$$





$$\begin{aligned}
 W1 &> 0 \\
 W2 &\geq W1 \\
 H1 &> 0 \\
 H2 &> 0
 \end{aligned}$$



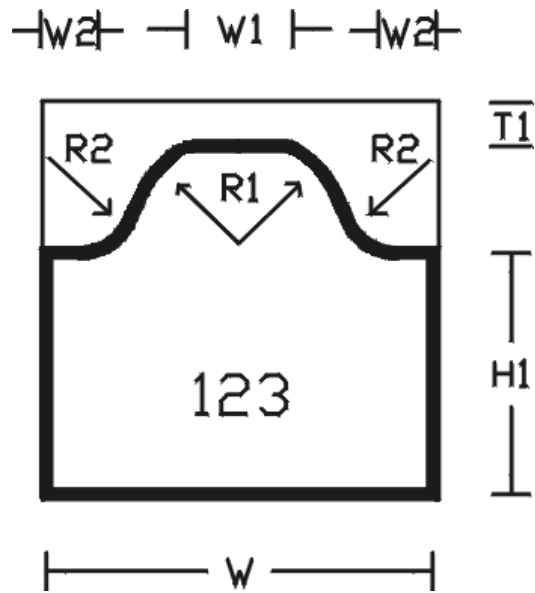
$$\begin{aligned}
 W &> 0 \\
 H &> 0
 \end{aligned}$$

$$R2 + R1 > \frac{(W - W1 - 2 * W2)}{2}$$

$$R1 > 0$$

$$R2 > 0$$

$$W > 0$$

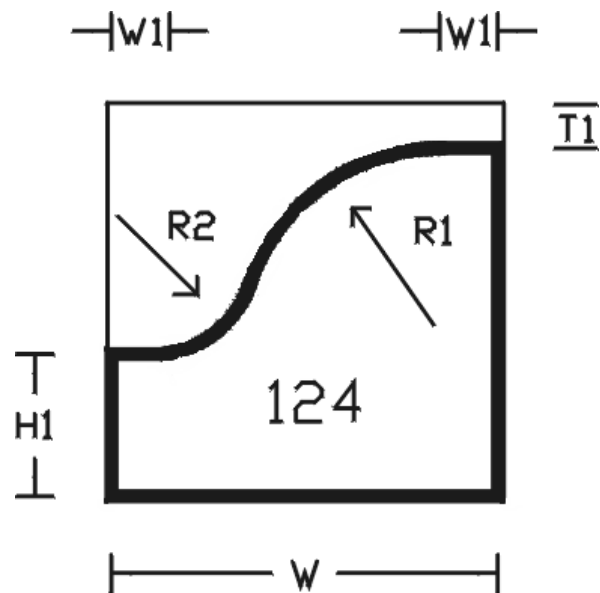


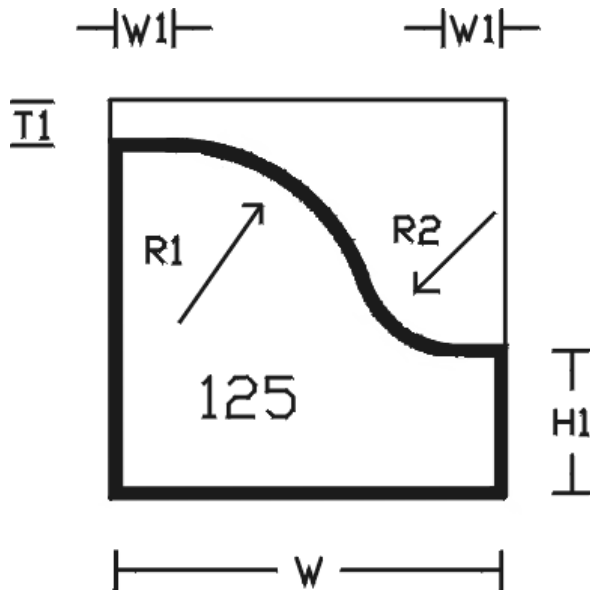
$$R2 + R1 \geq W - 2 * W1$$

$$R1 > 0$$

$$R2 > 0$$

$$W > 0$$



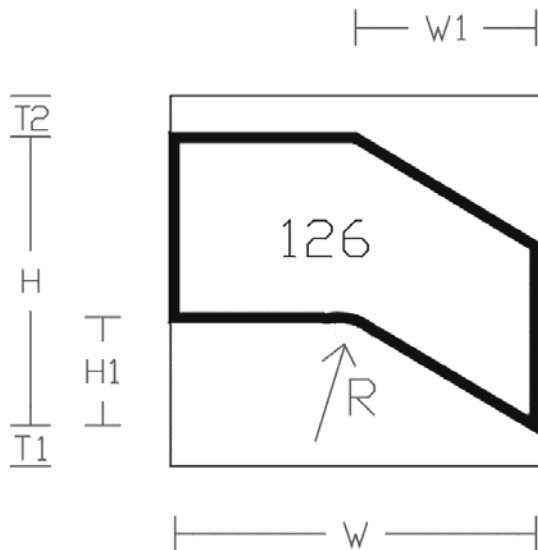


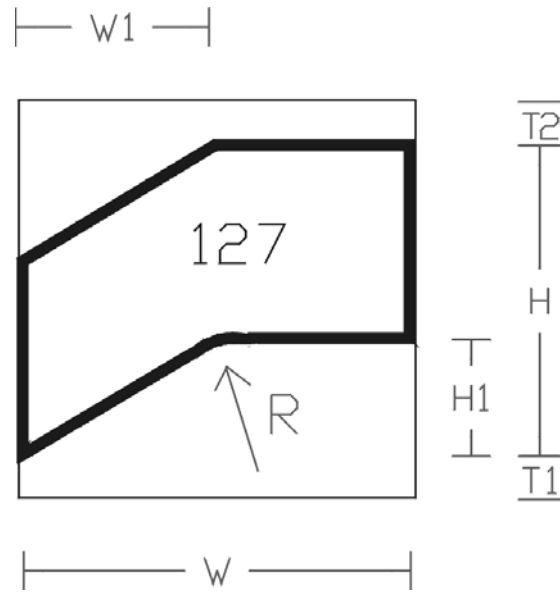
$$R2 + R1 \geq W - 2 * W1$$

$$R1 > 0$$

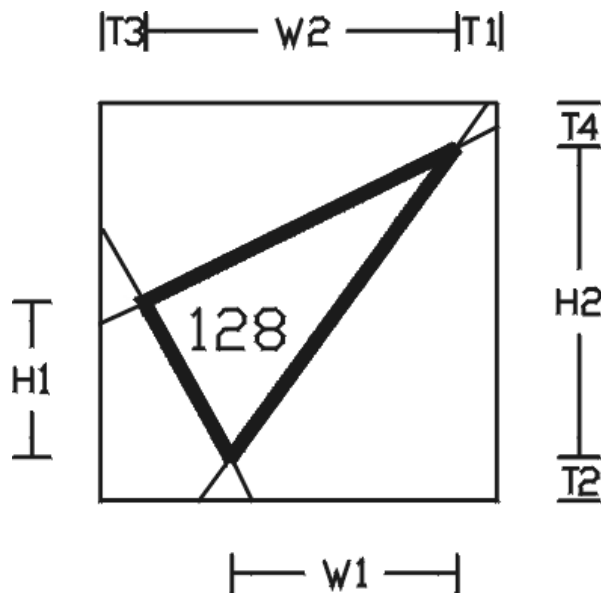
$$R2 > 0$$

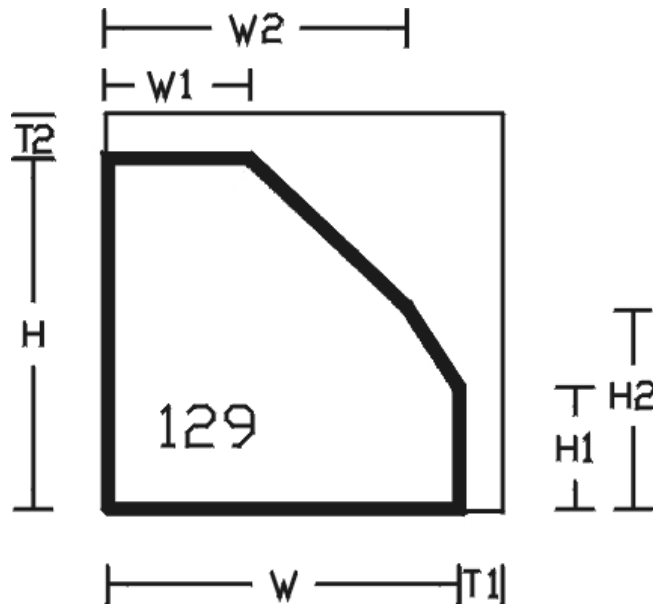
$$W > 0$$





$w_1 > 0$
 $w_2 \geq w_1$
 $H_1 > 0$
 $H_2 > 0$





$$\frac{H - H_1}{W - W_1} > \frac{H - H_2}{W_2 - W_1}$$

$$W_1 > 0$$

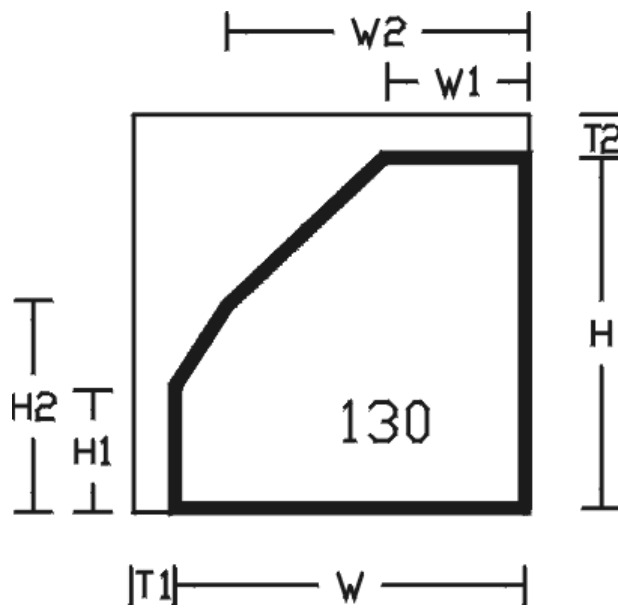
$$W_2 > W_1$$

$$W > W_2$$

$$H_1 > 0$$

$$H_2 > H_1$$

$$H > H_2$$



$$\frac{H - H_1}{W - W_1} > \frac{H - H_2}{W_2 - W_1}$$

$$W_1 > 0$$

$$W_2 > W_1$$

$$W > W_2$$

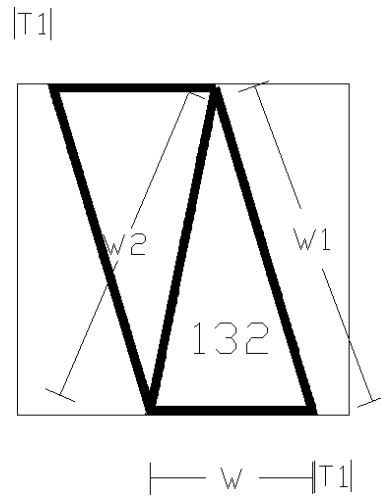
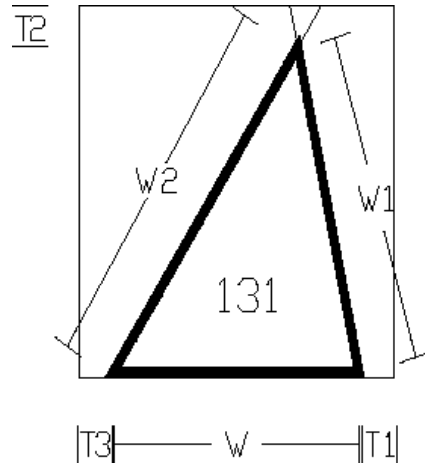
$$H_1 > 0$$

$$H_2 > H_1$$

$$H > H_2$$

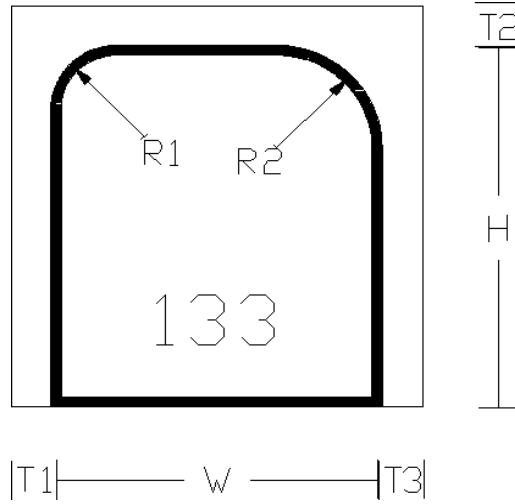
$$W1 \leq \sqrt{W^2 + W2^2}$$

$$W2 \leq \sqrt{W^2 + W1^2}$$

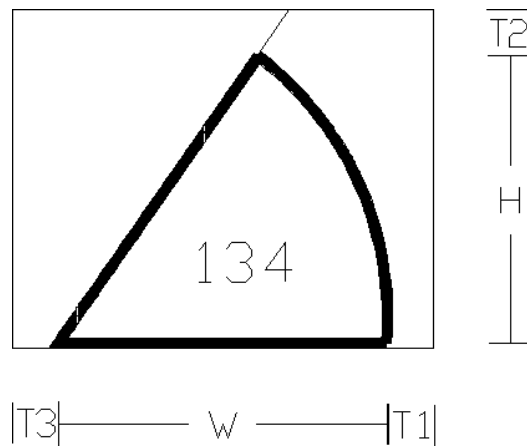


$$W1 \leq \sqrt{W^2 + W2^2}$$

$$W2 \leq \sqrt{W^2 + W1^2}$$



$$\begin{aligned}
 R1 &\leq H \\
 R2 &\leq H \\
 R1 + R2 &\leq W \\
 R1 &> 0 \\
 R2 &> 0 \\
 W &> 0
 \end{aligned}$$

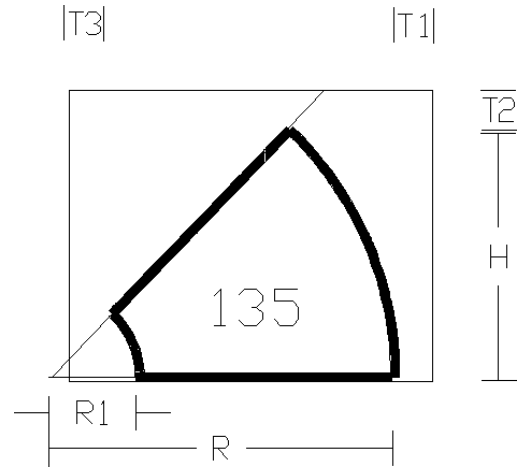


$$\begin{aligned}
 H &> 0 \\
 W &\geq H
 \end{aligned}$$

$$R > R1 > 0$$

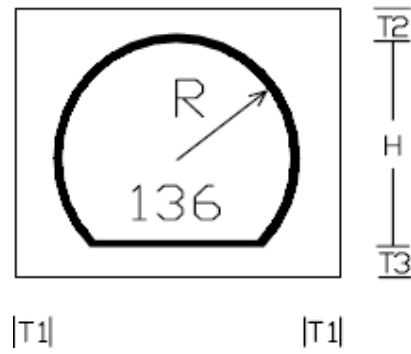
$$R \geq H$$

$$H > 0$$



$$H \geq R > 0$$

$$(2 * R) > H$$



| | | Variable List for Shapes | No. of Segments |
|-----------|----|---------------------------------|------------------------|
| Shape No. | 1 | W,H,H1,T1,T2 | 4 |
| Shape No. | 2 | W,H,H1,T1,T2 | 4 |
| Shape No. | 3 | W,W1,H,H1,T1,T2 | 5 |
| Shape No. | 4 | W,W1,H,H1,T1,T2 | 5 |
| Shape No. | 5 | W,W1,W2,H,T1,T2,T3 | 4 |
| Shape No. | 6 | W,W1,W2,H,T1,T2,T3 | 4 |
| Shape No. | 7 | W,W1,W2,H,H1,T1,T2,T3 | 5 |
| Shape No. | 8 | W,W1,W2,H,H1,T1,T2,T3 | 5 |
| Shape No. | 9 | W,W1,W2,H,H1,H2,T1,T2,T3 | 6 |
| Shape No. | 10 | W,W1,W2,H,H1,H2,T1,T2,T3 | 6 |
| Shape No. | 11 | W,W1,H,H1,T1,T2,T3 | 4 |
| Shape No. | 12 | W,W1,H,H1,T1,T2,T3 | 4 |
| Shape No. | 13 | W,W1,H,H1,T1,T2,T3 | 4 |
| Shape No. | 14 | W,W1,H,H1,T1,T2 | 4 |
| Shape No. | 15 | W,W1,H,H1,T1,T2 | 4 |
| Shape No. | 16 | W,W1,H,H1,T1,T2,T3 | 4 |
| Shape No. | 17 | W,W1,H,H1,T1,T2 | 4 |
| Shape No. | 18 | W,W1,H,H1,T1,T2 | 4 |
| Shape No. | 19 | W,W1,H,H1,T1,T2 | 8 |
| Shape No. | 20 | W,T1 | 3 |
| Shape No. | 21 | W,T1 | 5 |
| Shape No. | 22 | W,T1 | 6 |
| Shape No. | 23 | W,T1 | 7 |
| Shape No. | 24 | W,T1 | 8 |
| Shape No. | 25 | W,W1,H, T1,T2,T3 | 3 |
| Shape No. | 26 | W,W1,H, T1,T2,T3 | 3 |

| | | | |
|-----------|----|-----------------------------|---|
| Shape No. | 27 | W,W1,H, T1 | 3 |
| Shape No. | 28 | W,W1,H, T1 | 3 |
| Shape No. | 30 | W,H,H1,H2 | 4 |
| Shape No. | 31 | W,H,H1,H2 | 4 |
| Shape No. | 32 | W,W1,W2,H,T1 | 4 |
| Shape No. | 33 | W,H,T1 | 3 |
| Shape No. | 34 | W,H,T1 | 3 |
| Shape No. | 35 | W,W1,H, T1 | 4 |
| Shape No. | 36 | W,W1,H, T1 | 4 |
| Shape No. | 37 | W,W1,H,H1,H2,T1,T2,T3 | 5 |
| Shape No. | 38 | W,W1,H,H1,H2,T1,T2,T3 | 5 |
| Shape No. | 39 | W,W1,W2,H,H1,H2,T1,T2,T3 | 4 |
| Shape No. | 40 | W,W1,W2,H,H1,H2,T1,T2,T3 | 4 |
| Shape No. | 41 | W,W1,H, T1,T2,T3 | 3 |
| Shape No. | 42 | W,W1,H, T1,T2,T3 | 3 |
| Shape No. | 43 | W,W1,W2,H,H1,H2,T1,T2,T3,T4 | 6 |
| Shape No. | 44 | W,W1,W2,H,H1,H2,T1,T2,T3,T4 | 6 |
| Shape No. | 45 | W,H | 3 |
| Shape No. | 46 | W,H | 3 |
| Shape No. | 47 | W,W1,W2,H,T1,T2 | 4 |
| Shape No. | 48 | W,W1,W2,H,T1,T2 | 4 |
| Shape No. | 49 | W,W1,H,Factor,T1 | 4 |
| Shape No. | 50 | W,W1,H,Factor,T1 | 4 |
| Shape No. | 51 | W,W1,W2, T1,T2,T3 | 3 |
| Shape No. | 52 | W,W1,W2, T1 | 3 |
| Shape No. | 53 | W,W1, H,H1,H2,T1,T2 | 5 |
| Shape No. | 54 | W,W1,H,H1,H2,T1,T2 | 5 |
| Shape No. | 55 | W,W1,H,H1,T1,T2 | 6 |
| Shape No. | 56 | W,W1,H,H1,T1,T2 | 6 |

| | | | |
|-----------|----|--------------------------|---|
| Shape No. | 57 | W,W1,H, T1 | 4 |
| Shape No. | 58 | W,W1,H, T1 | 4 |
| Shape No. | 60 | D,T1 | 1 |
| Shape No. | 61 | R,T1 | 1 |
| Shape No. | 62 | R,H,T1,T2 | 2 |
| Shape No. | 63 | W,H,T1,T2 | 2 |
| Shape No. | 64 | W,R,H,T1,T2 | 4 |
| Shape No. | 65 | W,H,H1,T1,T2 | 4 |
| Shape No. | 66 | W,R,H,H1,T1,T2,T3 | 4 |
| Shape No. | 67 | W,R,H,H1,T1,T2,T3 | 4 |
| Shape No. | 68 | W,H,H1,H2,T1,T2,T3 | 4 |
| Shape No. | 69 | W,H,H1,H2,T1,T2,T3 | 4 |
| Shape No. | 70 | W,R,H,T1,T2 | 3 |
| Shape No. | 71 | W,R,H,T1,T2 | 3 |
| Shape No. | 72 | W,H,H1,T1,T2 | 3 |
| Shape No. | 73 | W,H,H1,T1,T2 | 3 |
| Shape No. | 74 | W,R1,R2,H,T1,T2,T3 | 2 |
| Shape No. | 75 | W,R1,R2,H,T1,T2,T3,T4 | 1 |
| Shape No. | 76 | W,H,H1,H2,T1,T2,T3 | 4 |
| Shape No. | 77 | W,H,H1,H2,T1,T2,T3 | 4 |
| Shape No. | 78 | W,H,T1,T2 | 2 |
| Shape No. | 81 | W,H,T1,T2 | 1 |
| Shape No. | 90 | W,W1,W2,H,H1,H2,T1,T2,T3 | 8 |
| Shape No. | 91 | W,W1,H,T1,T2,T3 | 6 |
| Shape No. | 92 | W,W1,W2,H,H1,T1,T2,T3 | 4 |
| Shape No. | 93 | W,W1,W2,H,H1,T1,T2,T3 | 4 |
| Shape No. | 94 | W,W1,W2,H,H1,T1,T2,T3 | 4 |
| Shape No. | 95 | W,W1,W2,H,H1,T1,T2,T3 | 4 |
| Shape No. | 96 | W,W1,W2,H,H1,T1,T2,T3 | 4 |

| | | | |
|-----------|-----|-------------------------|---|
| Shape No. | 97 | W,W1,W2,H,H1,T1,T2,T3 | 4 |
| Shape No. | 110 | W,W1,W2,H,H1,T1,T2,T3 | 5 |
| Shape No. | 111 | W,W1,W2,H,H1,T1,T2,T3 | 5 |
| Shape No. | 112 | W,W1,H,H1,T1,T2 | 5 |
| Shape No. | 113 | W,H,T1,T2,T3 | 3 |
| Shape No. | 114 | R,R1,H,T1,T2,T3 | 4 |
| Shape No. | 115 | W,W1,R,H,T1,T2,T3 | 3 |
| Shape No. | 116 | W,W1,H,S,T1,T2,T3 | 3 |
| Shape No. | 117 | W,W1,R,H,T1,T2,T3 | 3 |
| Shape No. | 118 | W,W1,H,S,T1,T2,T3 | 3 |
| Shape No. | 119 | W1,W2,H1,H2,T1,T2,T3,T4 | 3 |
| Shape No. | 120 | W1,W2,H1,H2,T1,T2,T3,T4 | 3 |
| Shape No. | 121 | W1,W2,H1,H2,T1,T2,T3,T4 | 3 |
| Shape No. | 122 | W,H,T1 | 4 |
| Shape No. | 123 | W,W1,W2,H1,R1,R2,T1 | 4 |
| Shape No. | 124 | W,W1,H1, R1,R2, T1 | 4 |
| Shape No. | 125 | W,W1,H1, R1,R2, T1 | 4 |
| Shape No. | 126 | W,W1,R,H,H1,T1,T2 | 5 |
| Shape No. | 127 | W,W1,R,H,H1,T1,T2 | 5 |
| Shape No. | 128 | W1,W2,H1,H2,T1,T2,T3,T4 | 3 |
| Shape No. | 129 | W,W1,W2,H,H1,H2,T1,T2 | 6 |
| Shape No. | 130 | W,W1,W2,H,H1,H2,T1,T2 | 6 |
| Shape No. | 131 | W,W1,W2,T1,T2,T3 | 3 |
| Shape No. | 132 | W,W1,W2,T1 | 4 |
| Shape No. | 133 | W,R1,R2,H,T1,T2,T3 | 6 |
| Shape No. | 134 | W,H,T1,T2,T3 | 3 |
| Shape No. | 135 | R,R1,H,T1,T2,T3 | 4 |
| Shape No. | 136 | R,H,T1,T2,T3 | 2 |