

# COOL-SPACE® 500

When you need maximum cooling coverage, trust the powerful performance of Cool-Space 500. Durably engineered with a portable design, quiet and efficient motor, and advanced controls for convenient, hands-free use, Cool-Space 500 delivers lasting comfort to large spaces both indoors and out. Backed by the industry's best warranty, it's the ultimate solution in evaporative cooling.



## KEY FEATURES

- ▶ Quickly cool indoor and outdoor spaces by up to 33 °F (18 °C)
- ▶ Ideal for large warehouses, service bays, and stadiums
- ▶ 8-inch (20-centimeter) resin-treated cooling media
- ▶ 64-gallon (242-liter) reservoir lasts up to 10 hours without hose connection
- ▶ 50-inch (127-centimeter) fan diameter
- ▶ Onboard connected controller with Kick Ass™ mode and mobile app control

### COVERAGE AREA

UP TO  
**6,500 SQUARE FEET**  
(600 SQUARE METERS)

### AIRFLOW

UP TO  
**24,000 CFM**

### CONTROL

CONNECTED CONTROLLER  
BIG ASS FANS  
MOBILE APP

### VOLTAGE

**120 VAC**  
**220/230 VAC**



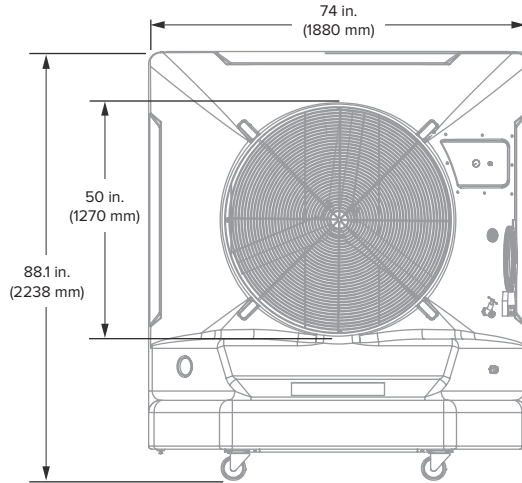
**COMFORT WITHOUT  
COMPROMISE**

## DISCOVER MORE ABOUT COOL-SPACE

Learn more at [bigassfans.com/evaporative-coolers](https://bigassfans.com/evaporative-coolers)  
or call **877.BIG.FANS** for a free custom quote.

# COOL-SPACE® 500

DELIVER COOLER CONDITIONS AT A MOMENT'S NOTICE



## Technical Specifications

Model	Model Number	Input power and required breaker	Amperage <sup>1</sup>	Drive	Motor	Weight	Water Capacity	Inlet Water Supply Pressure	Environment <sup>2</sup>	Airflow and Coverage	Sound Level <sup>3</sup>	Operating Temperature
Cool-Space 500	E-500-5001 E-500-5002	120 VAC, 60 Hz, 1Φ, 25 A 220/230 VAC, 50/60 Hz, 1Φ, 15 A	16.5 A 8.6 A	Variable speed	1.5 hp (1.1 kW)	370 lb (167.8 kg)	64 gal (242 L)	60 PSI Max	Well-ventilated indoor or outdoor space	Up to 24,000 cfm Up to 6,500 sq ft	60 dBA	0 to 104 °F (-18 to 40 °C)

## Construction

Housing	Motor	Power Supply	Controls	Water Supply	Cooling Media	Maintenance
UV-resistant roto-molded polyethylene housing Four swivel casters (two locking)	High-efficiency, totally enclosed	10 ft (3 m) power cord plugs into standard electrical outlet Cord wrap for easy storage	Onboard connected controller features variable speed control, status indicators, auto-dry, Kick Ass™ mode, and mobile app connectivity Big Ass Fans mobile app provides remote control and monitoring of the cooler	Accepts standard garden hose or portable supply tank Water level regulated by float valve Low-water shutoff for pump longevity	Made from thick cross-corrugated, angle-fluted formulated cellulose Treated with thermosetting resin for strength and prevention of algae	Accessible reservoir cap for convenient water treatment access Drain plug and flush valve for water removal



## Onboard Connected Controller



<sup>1</sup> Maximum amperage includes both the fan and pump ratings.

<sup>2</sup> Not suitable for salt air environments.

<sup>3</sup> Fans are sound tested in a laboratory environment. Actual results in field conditions may vary due to sound reflecting surfaces and environmental conditions.

Lead times may vary.  
See full warranty for coverage information.



USA  
BIGASSFANS.COM  
877-244-3267

CANADA  
BIGASSFANS.COM  
844-924-4277

AUSTRALIA  
BIGASSFANS.COM/AU  
1300 244 277

SINGAPORE  
BIGASSFANS.COM/SG  
65 6709 8500