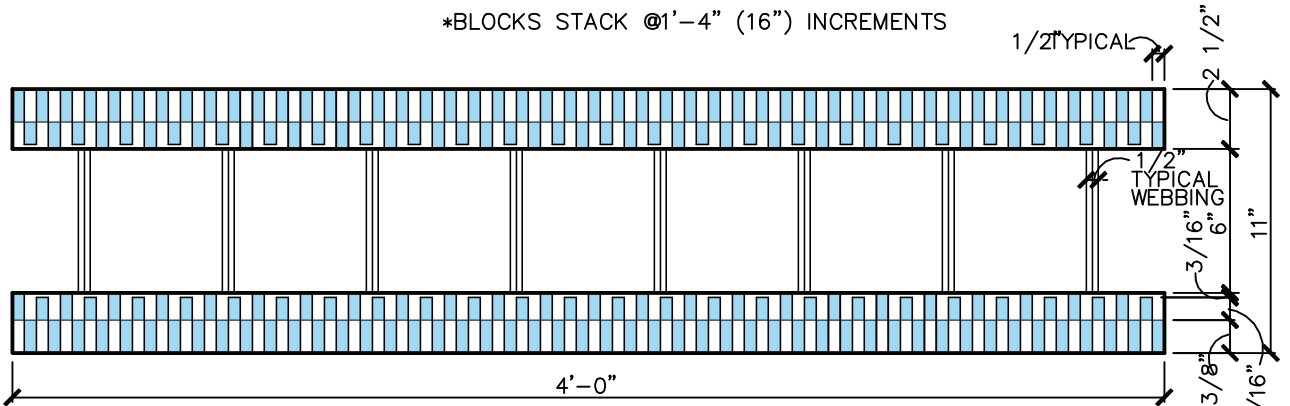


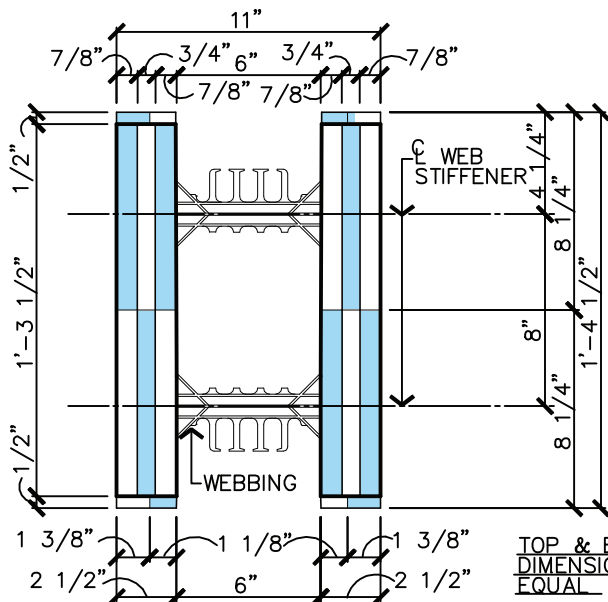
NOTE:

- * FORM IS REVERSIBLE BOTH VERTICALLY AND HORIZONTALLY
- * BLOCKS STACK @1'-4" (16") INCREMENTS

3 FRONT VIEW
01 SCALE: 1 1/2" = 1'-0"



2 TOP / BOTTOM VIEW (REVERSIBLE)
01 SCALE: 1 1/2" = 1'-0"



1 SIDE VIEW
01 SCALE: 1 1/2" = 1'-0"

LEGEND

- [Blue shaded area] = POSITIVE PROFILES (TOUNGES)
- [White area] = NEGATIVE PROFILES (GROOVES)

NOTE:

DUE TO VARIATIONS IN SELECTED PRINTER SETTINGS, NOTED SCALES MAY NO LONGER BE APPLICABLE



6" STRAIGHT BLOCK

DATE/REV	3-12-07 / 2	SCALE	NTS	DETAIL SHEET
----------	-------------	-------	-----	--------------

NOTES				
-------	--	--	--	--

9705 N. BROADWAY EXTENSION, SUITE 200, OKLAHOMA CITY, OK 73114
OFFICE: 405-840-3386 | TOLL FREE: 866-222-2575 | FAX: 831-597-0792
BUILDBLOCK.COM

CONSTRUCTION SHALL BE IN ACCORDANCE WITH ALL APPLICABLE LOCAL AND NATIONAL CODES. ALL DRAWINGS ARE SUBJECT TO CHANGE WITHOUT NOTICE.

1