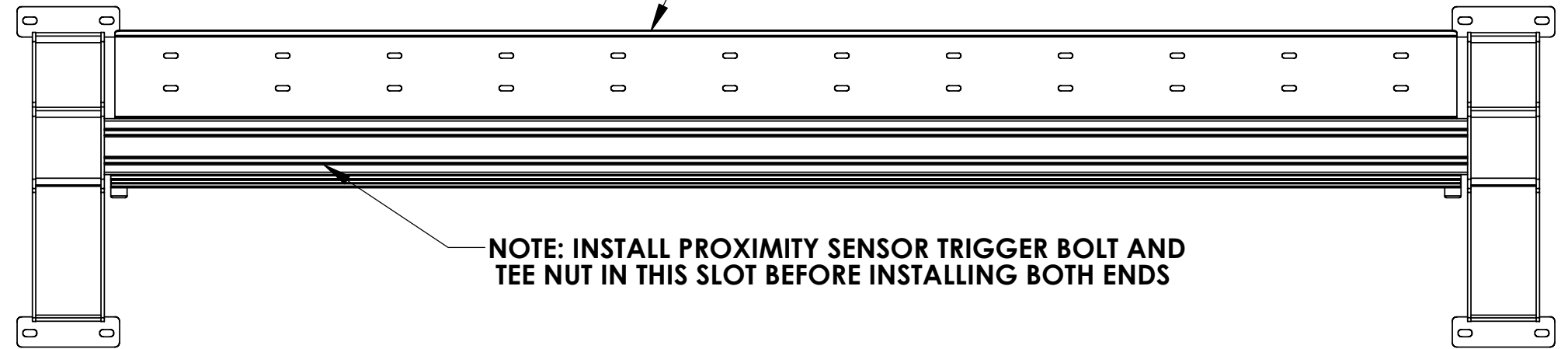


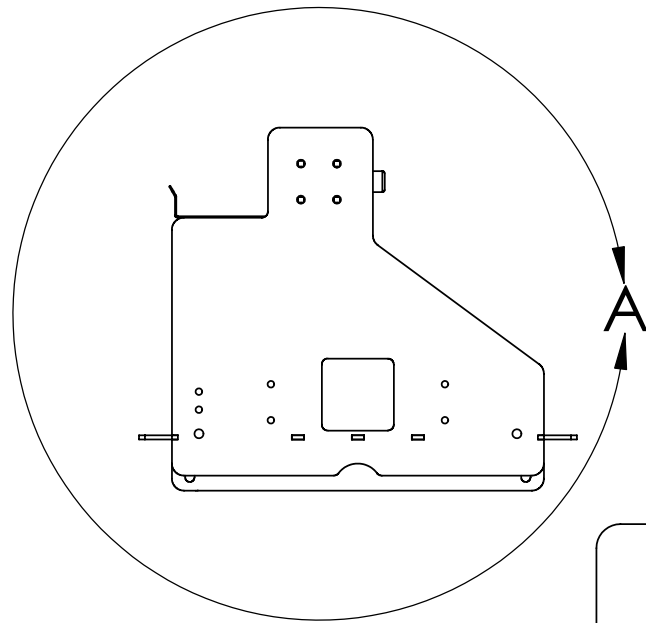
DETAIL B
SCALE 1 : 4

INSTALL END BUMPERS BEFORE END WELDMENTS (2)

INSTALL PAN WITH 5/16-18 X 1/2 FLANGE BOLTS AND TEE NUTS
(IN BOTTOM SLOT)

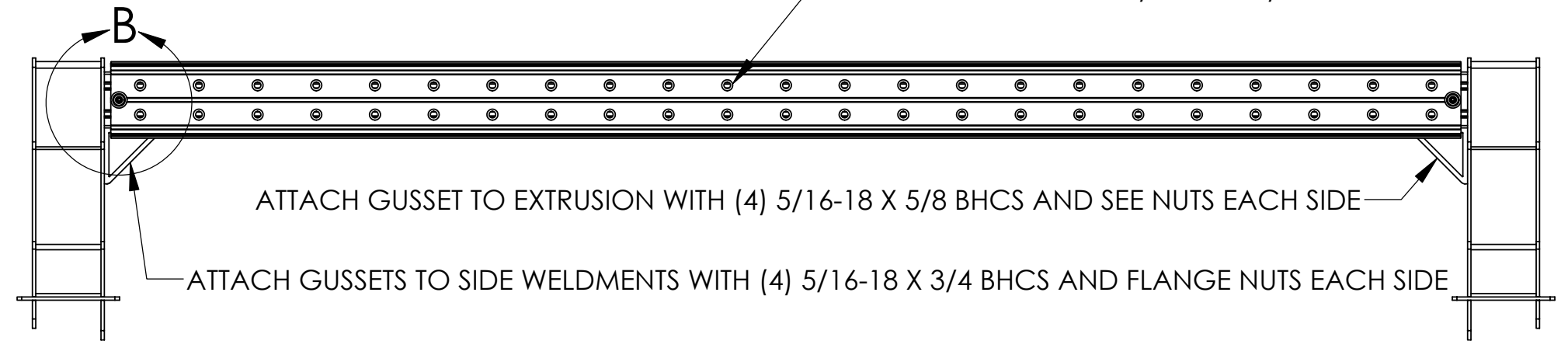


NOTE: INSTALL PROXIMITY SENSOR TRIGGER BOLT AND TEE NUT IN THIS SLOT BEFORE INSTALLING BOTH ENDS



DETAIL A
SCALE 1 : 4

ATTACH V-RAIL WITH 5/16-18 X 5/8 SHCS AND TEE NUTS



ATTACH GUSSET TO EXTRUSION WITH (4) 5/16-18 X 5/8 BHCS AND SEE NUTS EACH SIDE

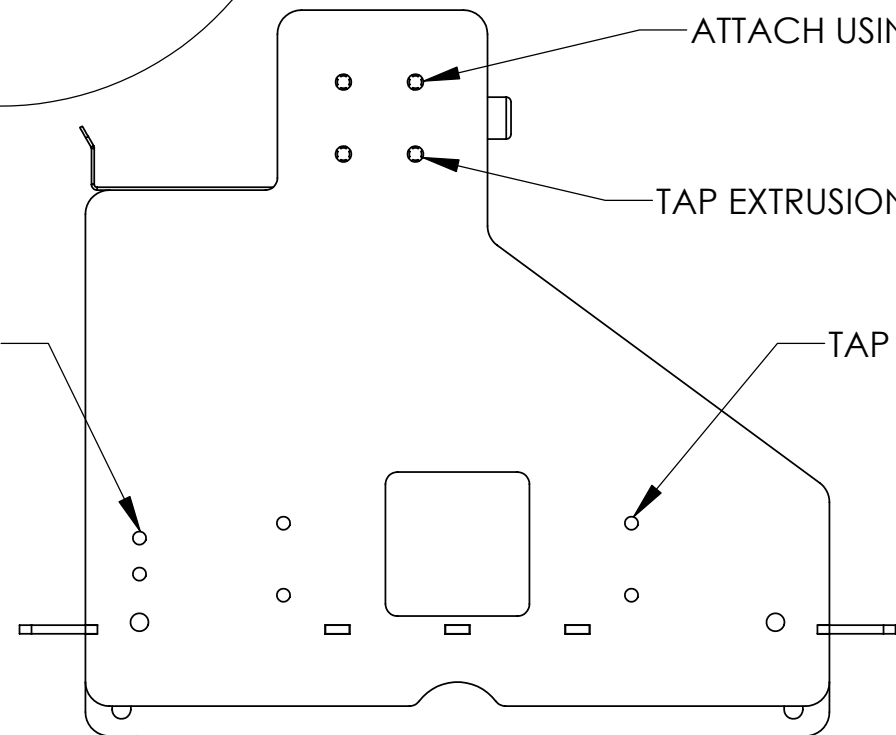
ATTACH GUSSETS TO SIDE WELDMENTS WITH (4) 5/16-18 X 3/4 BHCS AND FLANGE NUTS EACH SIDE

ATTACH USING (4) 5/16-18 X 5/8 FLANGE BOLTS EACH SIDE

TAP EXTRUSION 5/16-18 3/4 DEEP (4) PLACES BOTH ENDS

TAP 5/16-18 THRU (4) PLACES BOTH ENDS

TAP 5/16-18 (2) PLACES
CABLE TRACK SIDE ONLY



| | | | | | | |
|---------------------------------------------------------------------------------------------------------------------------------------------------------------------|------------------------------------|-----------|----------------|-------------|----------------------|------------------------------------|
| TOLERANCES +/- UNLESS OTHERWISE SPECIFIED | | MACHINING | WELDING | FABRICATING | FINISH REQUIREMENTS | USED ON REFERENCE MACHINE/DRAWING: |
| | DECIMAL | .03, .005 | .13 | .06 | | |
| | ANGLE | | | | | |
| THE INFORMATION CONTAINED IN THIS DRAWING IS THE SOLE PROPERTY OF PRECISION PLASMA LLC. ANY REPRODUCTION IN PART OR WHOLE WITHOUT WRITTEN PERMISSION IS PROHIBITED. | | | | | | |
| | SCALE: | 1:8 | SIZE: B | DATE | NAME | MATERIAL: |
| | UNITS: | INCHES | DRAWN | 8-8-19 | RWC | |
| | SOLIDS (Y/N): | Y | CHECKED | | | |
| PRECISION PLASMA LLC. | TITLE: ALTERNATIVE GANTRY ASSEMBLY | | | | DRAWING NUMBER: | REV. |
| | | | | | MAG 7A GANTRY | SHEET 1 OF 1 |