

COATS®

6450 3D

Heavy Duty Wheel Balancer



Parts Identification

READ these instructions before placing unit in service. KEEP these and other materials delivered with the unit in a binder near the machine for ease of reference by supervisors and operators.

HENNESSY INDUSTRIES, INC.

1601 J. P. Hennessy Drive, LaVergne, TN USA 37086-3565 615/641-7533 800/688/6359 www.ammcoats.com
HENNESSY INDUSTRIES INC. Manufacturer of AMMCO®, COATS® and BADA® Automotive Service Equipment and Tools.

Manual Part No.: 85606874 00
Revision: 05/10

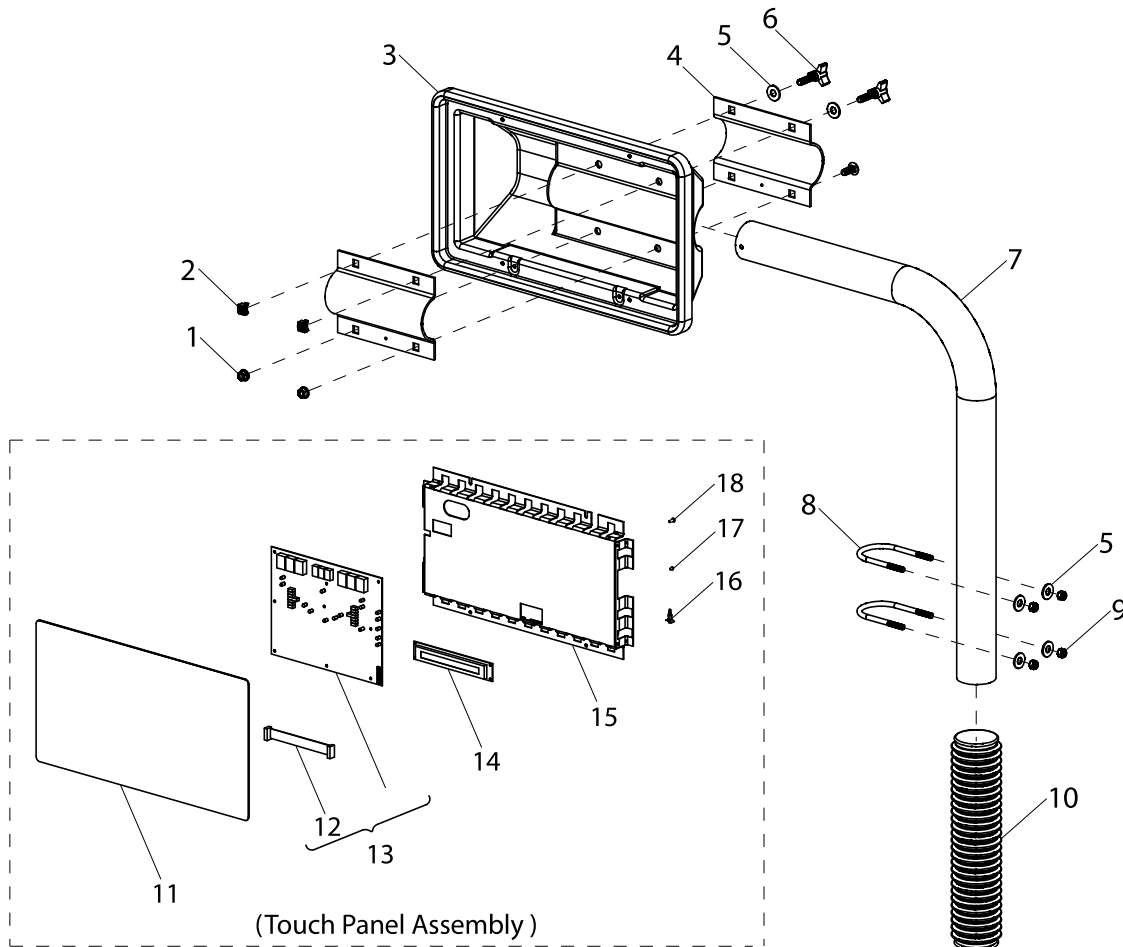
Parts Identification

The following pages include parts breakdowns with exploded view illustrations to help with ordering replacement or spare kits. Assemblies are noted where it is recommended that individual parts not be ordered separately. Note that the parts view illustrations are for multiple models and not all parts shown are on all models. Every effort is made to supply accurate exploded views, however, due to interim changes in manufacturing operations, some units may not be exactly as illustrated.

Table of Contents

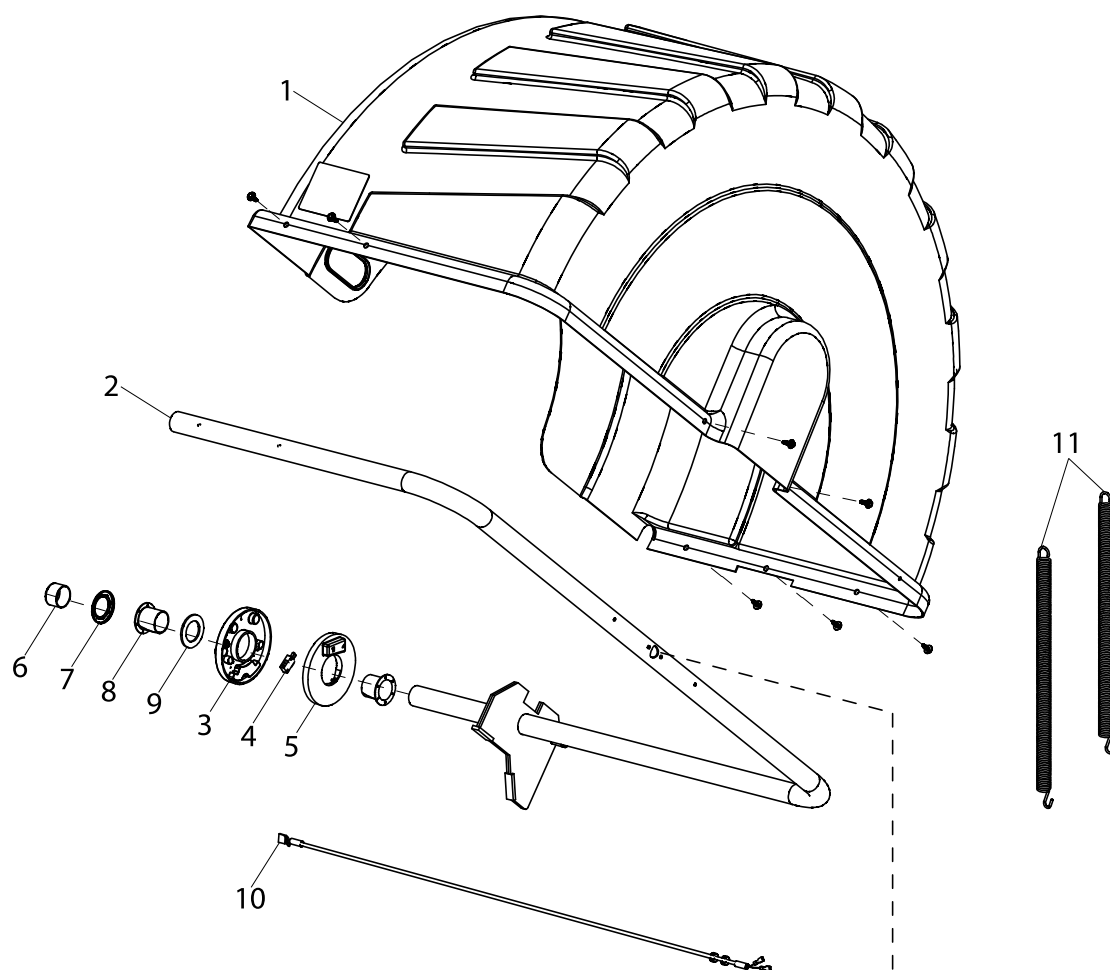
Pod & Touch Panel Assemblies	2
Wheel Guard Assembly	3
Chassis Assembly	4
Distance Gauge Assembly	5
Motor Assembly	6
Power Panel & MCB	7

Pod & Touch Panel Assemblies

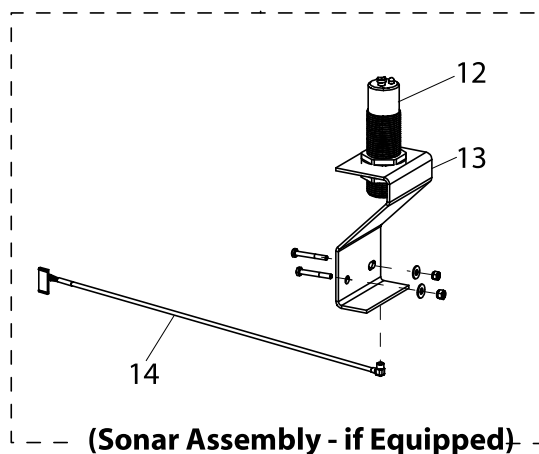


Item	Part No.	Description	Item	Part No.	Description
1	8106303	3/8-16 Whiz Lock Nut	11	85606733	Touch Panel (6450 3D)
2	8143044	3/8-16 Tinnerman Nut	12	8114313	VFD Cable Only
3	8111031	Pod Electronics	13	85000846	PCB Display & Cable Assembly
4	8110795	Pod Mounting Bracket	14	8114302	Vacuum Fluoresent Display
5	8301032	3/8 Flat Washer	15	8113624	EMC Shield (Austr. Export Only)
6	8110817	Control Pod Knob	16	85000361	Snap-Lock Standoff
7	8110805	Support, Pod Tube	17	928487	4-40 x 3/16 Pan Hd. Screw
8	8110789	Bolt, 5/16-18 "U"	18	8301067	6-32 Phillip Hd. Screw
9	8181183	5/16-18 Nyloc Nut			
10	8110800	Pod Tube Cover			

Wheel Guard Assembly

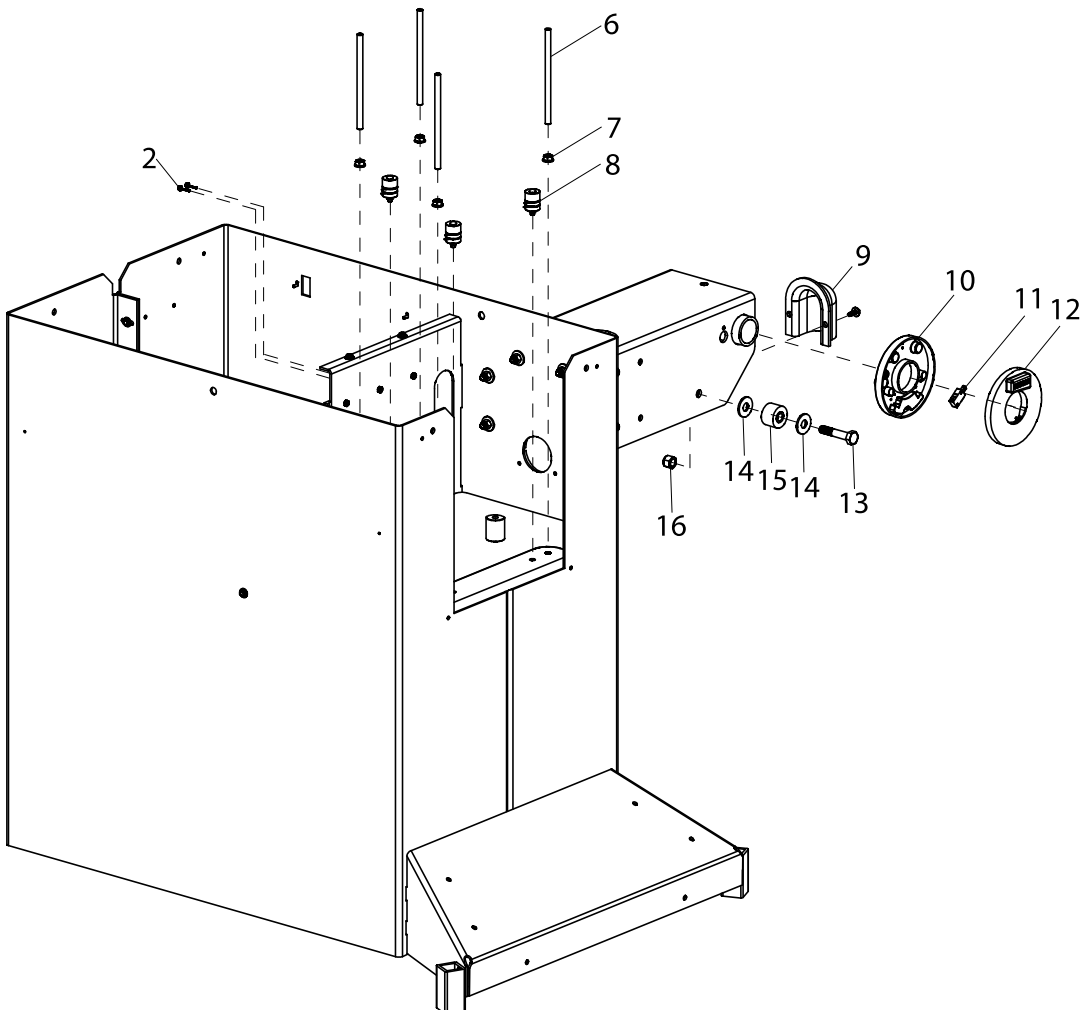
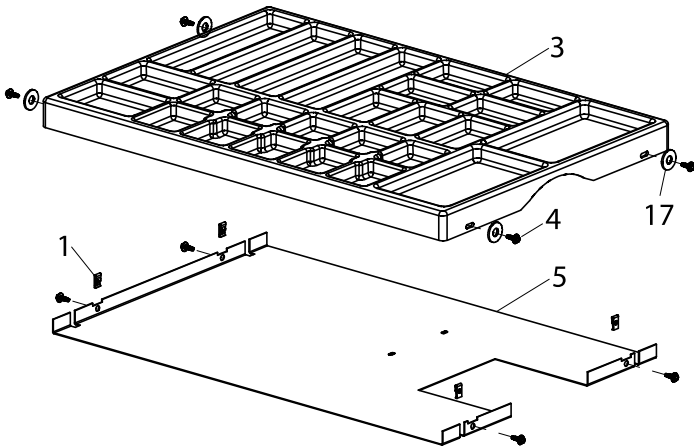


Item	Part No.	Description
1	85010058	Wheel Guard
2	85010059	Hood Bar W/C
3	8113333	Hood Switch Housing
4	8113334	Limit Switch
5	8113332	Hood Switch Cam/Cover
6	8109949	Hood Bar Cap
7	8109945	1-1/2" Retainer Washer
8	8307014	Flanged Nylon Bearing
9	8109944	Hood Bar Washer
10	85009988	Hood Switch Cable Assembly
11	8308062	Hood Spring
12	85000304	Sonar Module
13	85606751	Sonar Bracket
14	85606403	Sonar Cable Assembly



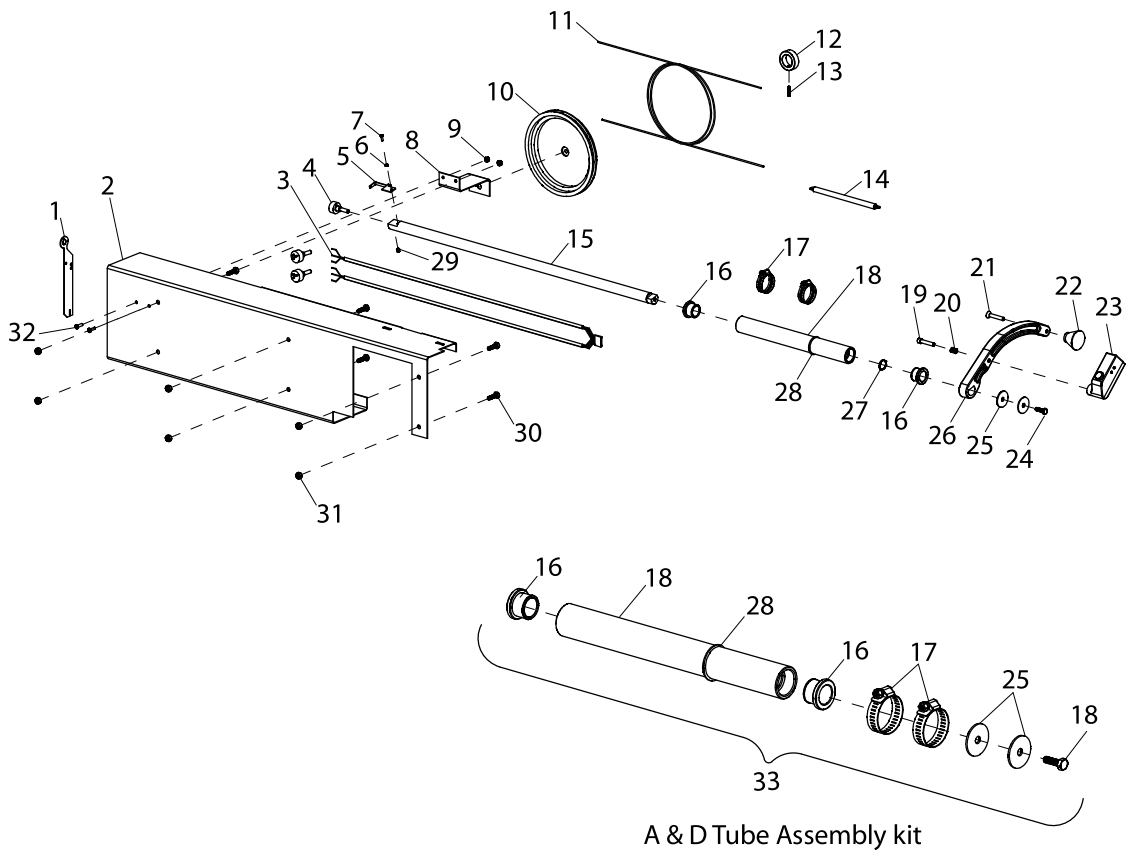
Chassis Assembly

Item	Part No.	Description
1	8106304	1/4-20 Tinnerman Nut
2	8110560	#8-32x3/4 Screw
3	85010057	Weight Tray Assembly
4	8106301	1/4" Hex Self-Tap Screw
5	85600252	Weight Tray Shield
6	8108727	Threaded Rod
7	8106303	3/8-16 Hex Jam Nut
8	8114266	Piezo Assembly
9	8111029	Rear Harness Cover
10	8113333	Hood Switch Housing
11	8113334	Limit Switch
12	8113332	Hood Switch Cam/Cover
13	8301120	1/2-13x2-1/2 HH Bolt
14	8301121	1/2 Flat Washer
15	8309008	Rubber Hood Stop
16	8301122	1/2-13 Hex Nut
17	8111032	1/4 Heavy Fender Washer



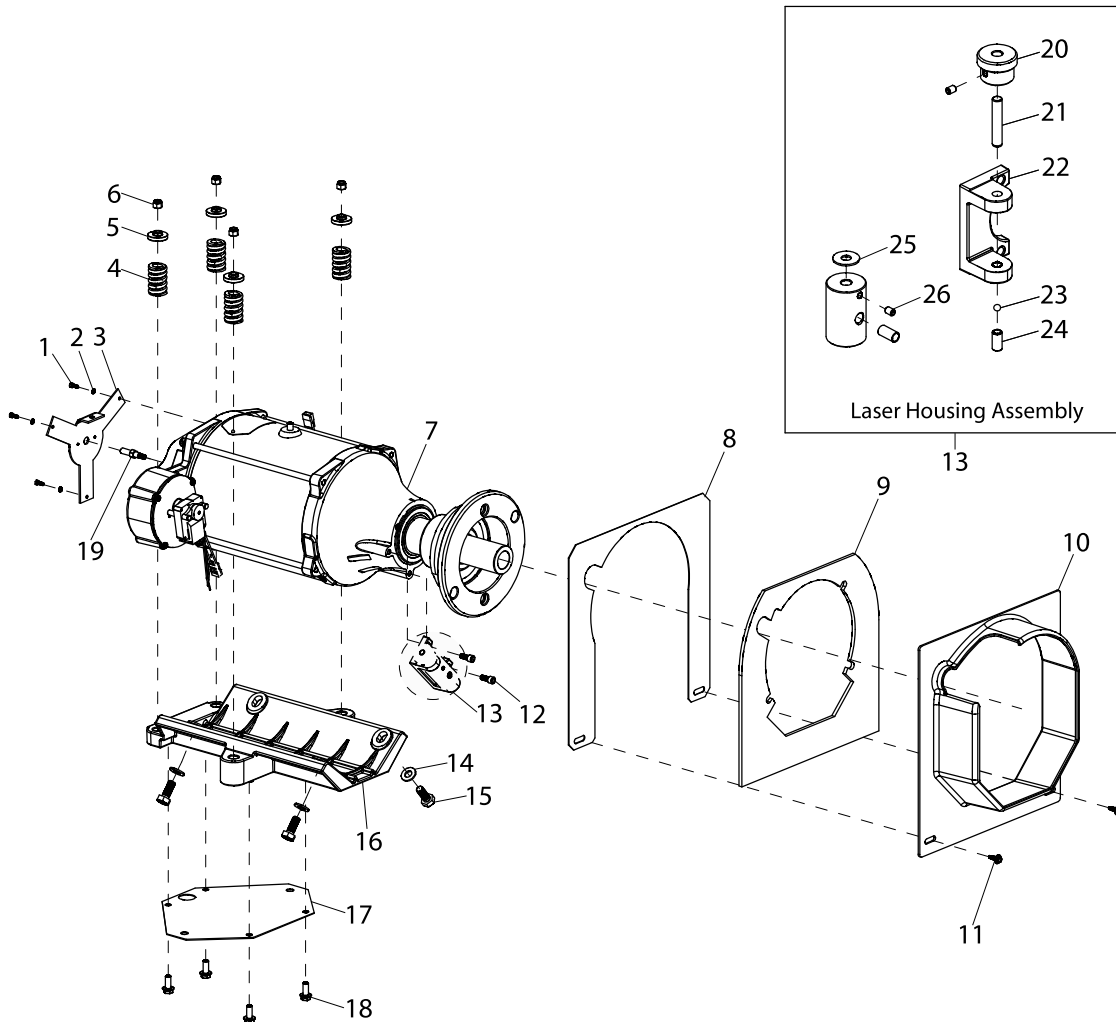
Distance Gauge Assembly

Item	Part No.	Description	Item	Part No.	Description
1	85600309	A & D Pendulum	18	8114255	A & D Tube
2	85600256	A & D Bracket	19	8114379	SHC 1/4-20 x 1-1/4 lg.Screw
3	8114298	A & D Wiring Harness Assy	20	8114380	Compression Spring
4	8303074	Potentiometer	21	8111173	1/4-20 x 1-1/2 FHS Screw
5	80180019	String Bracket	22	8114253	Cone
6	80180021	Washer 3MM	23	85009229	Line Laser
7	80180020	Spring Bracket, 3MM Screw	24	85000731	Hex HD Cap Screw
8	85600308	A & D Potentiometer Bracket	25	8111032	1/4 Fender Washer
9	8301084	#8-32 Kep Nut	26	85600303	Arm
10	85600259	Distance Pot Pulley	27	903174	Retaining Ring
11	85606747	String	28	8100964	1 1/4-inch Retaining Ring
12	8114403	Pulley Collar	29	8114408	M6 x 6MM SHSSFP Screw
13	8114404	#10-24 x 3/4 SHSS Screw	30	8301534	1/4-20 x 1 ZNC HHCS Screw
14	80180023	Spring	31	8143169	1/4-20 ZNC Hex Nut
15	85600302	Distance Rod	32	8111542	#8-32 X 5/8" SEM Screw
16	85000730	Distance Rod Bushing	33	85000732	A&D Arm Tube Assembly Kit
17	8114264	Hose Clamp			



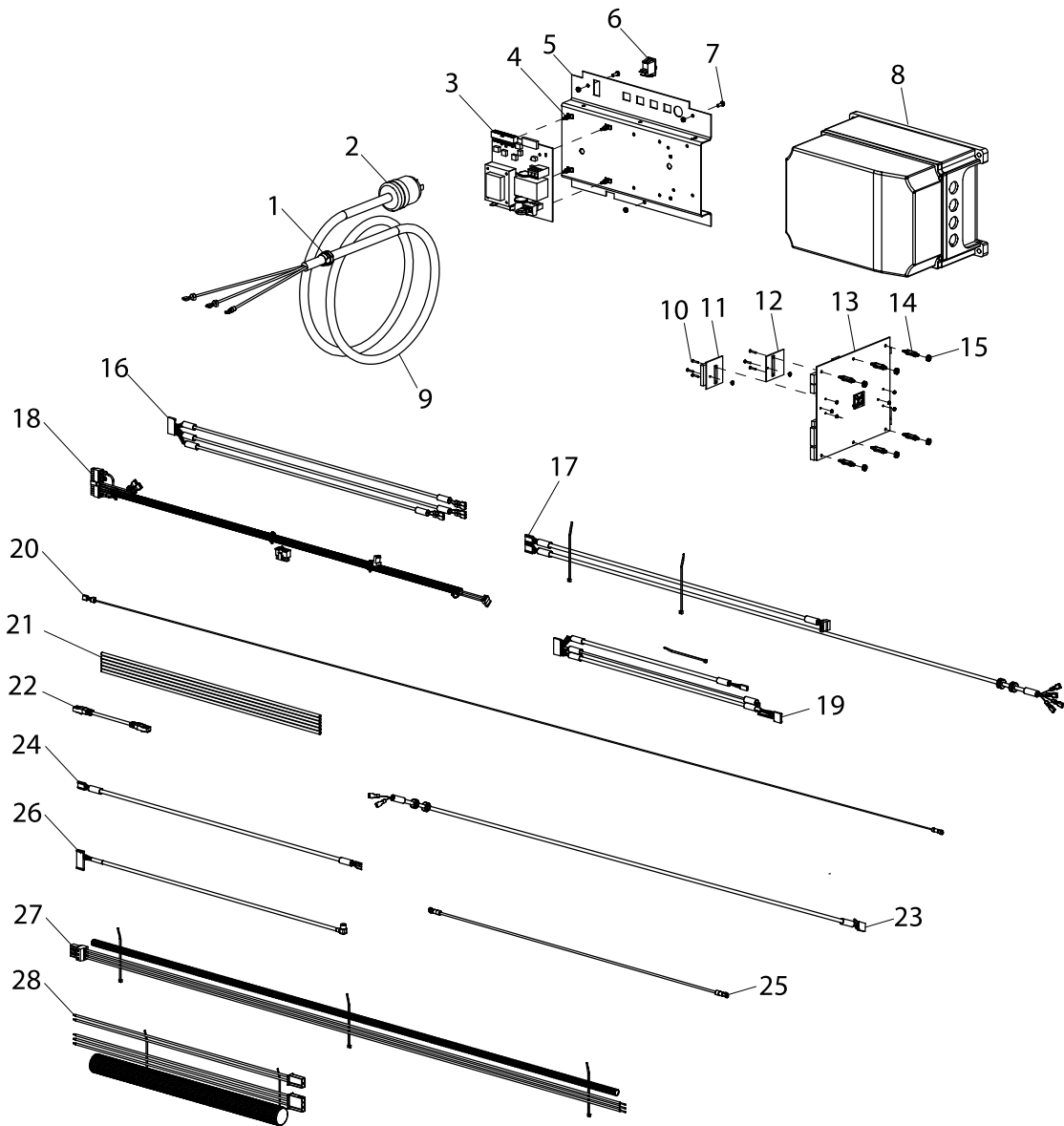
Motor Assembly

Item	Part No.	Description	Item	Part No.	Description
1	8112191	10-24 x .50 HHMS Screw	16	85010026	Cradle
2	8301806	#10 Lock Plated Washer	17	85010087	Flex Plate
3	85606753	Encoder Mounting Bracket	18	8106302	3/8-16 x 7/8 Whiz Lock HHCS Screw
4	8307008	Piezo Spring	19	85009971	Encoder Drive Shaft
5	8308036	Piezo Spring Retainer	20	8114241	Knob
6	8301035	3/8-16 Nyloc Nut	21	8114237	3/8 x 2 Dowel
7	85010046	Motor Assembly	22	8114239	Laser Bracket
8	85600298	Motor Shield Cover	23	8182025	1/4" Ball
9	85600297	Motor Gasket	24	8114243	Modified Screw
10	85010056	Motor Shroud	25	8114242	Plastic Washer
11	8106301	1/4" Hex Self-Tap Screw	26	903208	1/4" Set Screw
12	8182149	5/16 x 3/4 HHC Screw	27	8113561	Brush Spring
13	8114236	Laser Assembly	28	8113559	Brush Holder
14	903214	1/2" Flat Washer	29	8113560	Carbon Brush
15	8140825	1/2-13 x 1-1/4 HHCS Screw			



Power Panel & MCB

Item	Part No.	Description	Item	Part No.	Description
1	806058	Strain Relief	15	8301804	#10-32 Hex Nut
2	8305076	220V, 1 PH Plug	16	8114260	Piezo Harness Assembly
3	85606375	Motor Control PCB	17	8114430	Harness Assembly
4	85000361	Stand-off, Snaplock	18	85606809	240V Harness Fan
5	8110821	Power Panel	19	8114259	MCB Cable Assembly
6	8305802	ON/OFF Switch	20	8114212	Drain Wire Assembly
7	8301082	#8-32 x 1/2 PHM Screw	21	85010014	Interface, Inverter, Encoder Cable
8	85009973	Inverter	22	8114211	Cat 5, 2 Meter Lg. Cable
9	8113101	Power Cord Assembly	23	85009988	Hood Switch Cable Assembly
10	85010029	#2-56 x 1/4 PPHMS Screw	24	85010025	Interface, Encoder Cable
11	85009994	Interface, SLR Card	25	85010024	GRND Wire Assembly, 26"
12	85009993	Interface, Inverter Card	26	85606403	SNR Cable Assy
13	85607328	Processor PCB	27	85010022	Motor Harness Wire Assembly
14	8113996	Circuit Board Standoff	28	85600284	Invertor Motor Cable Assembly



Standard Accessories



No. 8308628 Small A Cone
2.44 - 3.12 inches



No. 8308629 Medium B
Cone 2.78 - 3.46 inches



No. 8308630 Large C Cone
2.98 - 5.06 inches



No. 8308631 Extra Large
Cone 4.52 - 6.95 inches

Optional Accessories



No. 8143935 Large Budd
Wheel Adapter



No. 8109877 Hub Style (Baby
Budd) Adapter



No. 8110785 Dayton Stan-
dard Center Adapter 20 - 22.5
inches



No. 8110786 Extension Kit
for Dayton Standard Adapter
24.5 - 26 inches



No. 85009086 Balancer
Chuck with Plate 8 - 12 inches



No. 85009087 Front Plate 12
inches



501 Wheel Lift



550 Wheel Lift