

PARADICE

Assembly and Use Instructions

Your P70 Rink resurfacer arrives in a stowed configuration with minor assembly required before use:

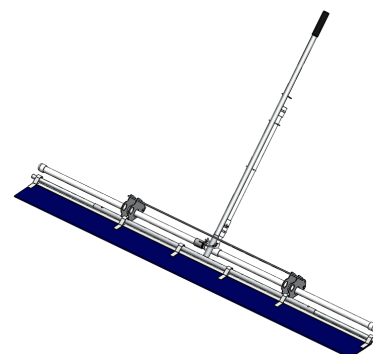
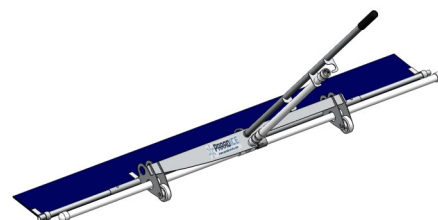
1. Install the wheels by sliding the axle pins through the axle brackets and wheels. Then secure the axle pins to the frame by installing a cotter pin through each hole in the axle as shown.
2. Insert the two nose bar extensions into each end of the frame, and snap spring buttons into the securing holes.
3. Attach the smoothing mat by wrapping the Velcro strips around the nose bar as shown.

For use, follow these simple steps:

1. Remove the handle and water distribution extension from the frame.
2. Install the handle into the handle receiver tube and secure in place with the hitch pin.
3. Screw the water distribution extension onto the distribution "T".

You are now ready to attach a garden hose and begin making ice.

You may find it helpful to install a quick-connect and/or a shut-off ball valve to the end of your hose for fast and easy operation. Both these items are readily available at your nearest home improvement or hardware store.



Ready for Use (As Assembled)



Stowed Configuration

Using your Ice Rink Resurfacer

Prepare the Surface

Shovel loose snow off the ice. It's OK to let a thin layer of snow fill gaps and cracks. The ParadICE resurfacer will turn it into a solid, flat skating surface.

Create New Ice with the ParadICE Resurfacer

Attach a water source using a standard garden hose to the ParadICE Resurfacer. Start at the furthest edge from the water source and pull the resurfacer in a straight line pattern, like painting a floor.

Stow the ParadICE Resurfacer

Remove the handle and water distribution extension, and reinstall in the stowed configuration as shown.

Stow the ParadICE resurfacer above freezing temperature, to prevent clogging the spreader with ice. It is best to stand the resurfacer in a vertical orientation, allowing the spreader to dry. You may