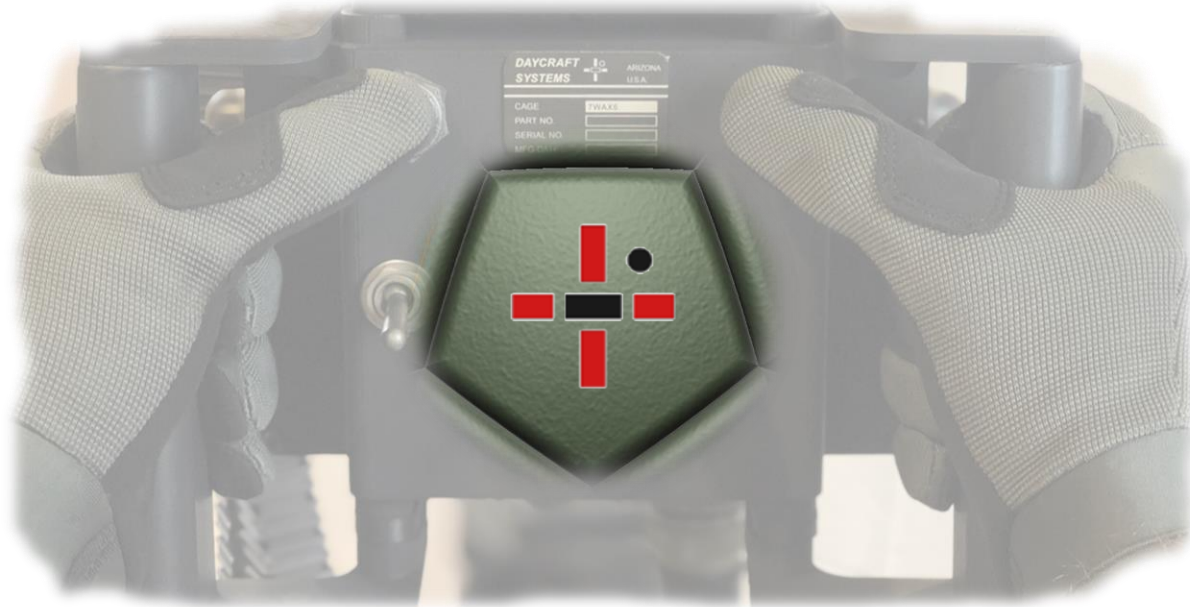


MILITARY PRODUCTS 2024 CATALOG



**DAYCRAFT
SYSTEMS** 

RELEASE R7

SUPPORTING PEACEKEEPERS WORLDWIDE

TABLE OF CONTENTS



Products Overview 2

WEAPONS

Machine Guns

General Purpose	3
Electrically Powered Auto-Cannons	6
Rotary	8

Semi-Auto Rifles

DAYCRAFT SAR 12.7	9
-------------------	---

Grenade Launchers

DAYCRAFT AGL 40 HV	11
RePR-G7	11
C4053	12
M203	13

MOUNTS

Machine Gun Mounts

General Purpose	14
Auto-Cannon	15
Rotary	16

AMMUNITION

Armor Piercing

.308 caliber	17
.338 caliber	17
.416 Barrett caliber	17
.50 BMG caliber	17



PRODUCTS OVERVIEW



+24V POWERED SYSTEMS

AutoCannons

AC 12.7
AC 25

Rotary

GAT 7.62
M134 BDASS Kit

MACHINE GUNS

GPMG

FMG 5.56
FMG 6.5
FMG 7.62
FMG .338

RIFLES

Semi-Automatic

SAR 12.7 (.50)
BMG

GRENADE LAUNCHERS

AGL 40 HV

RPG

RePR-G7

40mm Grenade

C4053
M203

GUN MOUNTS

GPMG Mounts

GM 240
Gm Variable
MK 16 MOD 9
MK 16 MOD 8

AutoCannon Mounts

C1 2099-CSM
C1 2099-RWSC1

Rotary Gun Mounts

GO 751-VA
GO 751-VASP
GO 751-SPLP

REMOTE WEAPONS SYSTEM

SENTINEL 2000

7.62 x 51mm
.338 Norma
.50 BMG

SENTINEL 2500

20 x 102mm
25 x 137mm

SENTINEL 3000

25 x 137mm
30 x 173mm

SPECIALTY AMMUNITION AP/API

300 Blackout
7.62 NATO
7.62 x 54mm
.338 Lapua
.338 Norma
.338 Winchester
.416 Barrett
.50 BMG

GENERAL PURPOSE MACHINE GUNS

DAYCRAFT FMG 7.62



M240 Interchangeability with Barrels / Buttstock / Grips

SKU Numbers:

FMG762-1000

– Base Model Machine Gun



Contact Sales for pricing and additional configurations.
FMG556 Conversion Kit available to fire 5.56 ammo
FMG300B Conversion Kit available to fire 300 Black Out ammo
FMG65C Conversion Kit available to fire 6.5 Creed ammo

Specifications

Caliber	7.62 x 51mm NATO
Rate of Fire	550-650 rpm
Operation	Gas Operated, Open Bolt
Feed	M13 Link
Barrel Length	17.52 inches (Without Flash Hider)
Barrel Twist	1/10
Lands/Grooves	4 Lands, 4 Grooves
Muzzle Thread	.7812-24
Weight	17.8 lbs.
Overall Length	38.65 inches (Stock Collapsed); 42.27 inches (Stock Extended)
Max Effective Range	800 meters (Bipod); 1,100 meters (Tripod); 1,800 meters (Suppression)
Max Range	3,725 meters
Barrel Change	100 rounds/min change 10 min 200 rounds/min change 2 min



GENERAL PURPOSE MACHINE GUNS

DAYCRAFT FMG 5.56



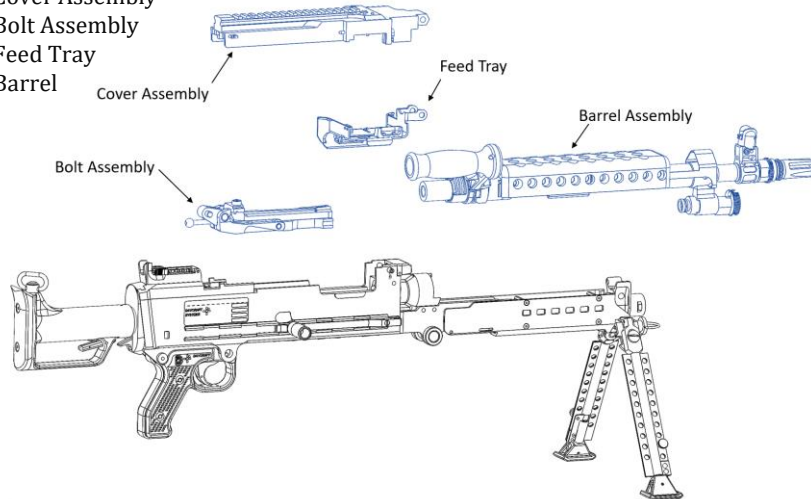
FMG556-KIT

SKU Numbers:

- Conversion Kit from 7.62 to 5.56

4 assemblies to change caliber:

1. Cover Assembly
2. Bolt Assembly
3. Feed Tray
4. Barrel



Specifications

Caliber	5.56 x 45mm NATO
Rate of Fire	550-650 rpm
Operation	Gas Operated, Open Bolt
Feed	M27 Link
Barrel Length	15 inches (Without Flash Hider)
Barrel Twist	1/7
Lands/Grooves	6 Lands, 6 Grooves
Muzzle Thread	.5-28
Weight	16.5 lbs.
Overall Length	37.65 inches (Stock Collapsed); 41.27 inches (Stock Extended)
Max Effective Range	600 meters (Bipod); 800 meters (Tripod); 1,000 meters (Suppression)
Max Range	3,600 meters
Barrel Change	85 rounds/min NO CHANGE 200 rounds/min change 2 min

GENERAL PURPOSE MACHINE GUNS

DAYCRAFT FMG 12.7



SKU Numbers:

DS-M2A1-1000 - Base Model Machine Gun



Contact Sales for pricing and additional configurations.

Specifications

Caliber	12.7 x 99mm NATO
Rate of Fire	450 -550 rpm
Operation	Recoil Operated, Open Bolt
Feed	M2 or M9 Link
Barrel Length	44 inches
Barrel Twist	1/15
Lands/Grooves	8 Lands, 8 Grooves
Weight	85 lbs.
Overall Length	67.75 inches;
Max Effective Range	1,800 meters
Max Range	7,400 meters



ELECTRICALLY POWERED AUTO-CANNONS

DAYCRAFT AC 12.7



SKU Numbers:

C12099-1000

- Base Model Machine Gun



Contact Sales for pricing and additional configurations.

Specifications

Caliber	12.7 x 99mm NATO (.50 BMG)
Rate of Fire	SS, Burst, Full Auto 450-550 rpm
Operation	+24VDC Operated, Open Bolt
Feed	M2 or M9 Link
Barrel Length	44 inches (Without Muzzle Brake)
Barrel Twist	1/15
Lands/Grooves	8 Lands, 8 Grooves
Weight	69.33 lbs.
Overall Length	60.6 inches; 66.8 inches (with GCU)
Max Effective Range	1,800 meters
Max Range	7,400 meters



ELECTRICALLY POWERED AUTO-CANNONS

DAYCRAFT AC 25



SKU Numbers:

C25137-1000

- Base Model Machine Gun



Contact Sales for pricing and additional configurations.

Specifications

Caliber	25 x 137mm NATO
Rate of Fire	Single Shot (Sniper Mode) Burst (Programmable) Full Auto 250 spm
Recoil Force	< 15 kN
Operation	+24VDC Operated, Open Bolt
Feed	Dual Feed, M28 Linked
Barrel Length	2000mm
Barrel Twist	Right Hand Progressive Rate
Weight	130kg
Overall Length	2661mm
Width	318mm
Height	373mm
Max Effective Range	2,000 - 3,000 meters
Max Range	8,000 meters
Mounts	Crew Serve Integral Turret Stabilized Remote Weapon Station



ROTARY MACHINE GUNS

DAYCRAFT GAT 7.62



SKU Numbers:

G0751-1000

- Base Model Machine Gun

M134- BDASS KIT

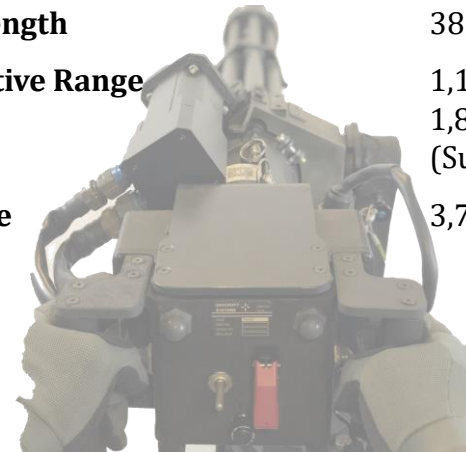
- Brushless DC Upgrade Kit



Contact Sales for pricing and additional configurations.

Specifications

Caliber	7.62 x 51mm NATO
Rate of Fire	1000-4000 rpm
Operation	+24VDC Rotary
Feed	M13 Link
Barrel Length	22 inches
Barrel Twist	1/10
Lands/Grooves	4 Lands, 4 Grooves
Weight	69 lbs.
Overall Length	38.65 inches;
Max Effective Range	1,100 meters; 1,800 meters (Suppression)
Max Range	3,725 meters



SEMI-AUTO RIFLES

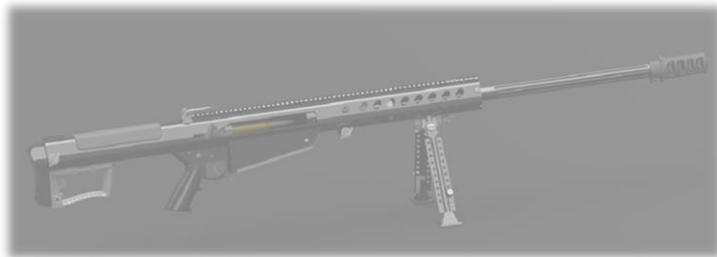
DAYCRAFT SAR 12.7



SKU Numbers:

SAR127-1000

- Base Model Gun



Contact Sales for pricing and additional configurations.

Specifications

Caliber	12.7 x 99mm NATO (.50 BMG)
Rate of Fire	Single Shot
Operation	Recoil Operated, Closed Bolt
Feed	10 Round Magazine
Barrel Length	28 inches (Without Muzzle Brake)
Barrel Twist	1/15
Lands/Grooves	8 Lands, 8 Grooves
Muzzle Thread	7/8 x 14
Weight	22.3 lbs.
Overall Length	53.5 inches (With Muzzle Brake)
Max Effective Range	1,800 meters
Max Range	7,400 meters



GRENADE LAUNCHERS

DAYCRAFT AGL 40 HV



Specifications

Caliber	40 x 53mm (All NATO Standard)
Weight	59.64 lbs. (less ammunition)
Overall Length	36.90 inches
Max Effective Range	2,200 meters (ammunition dependent)

SKU Numbers:

C4053-1000
– Base Model Launcher
Contact Sales for pricing and additional configurations.

RePR-G7



Caliber	RPG-7 (All Standard)
Weight	G730 (7.83 lbs)
Overall Length	G730 (30 inches)
Weight	G730QD (8 lbs)
Overall Length	G730QD (30 inches)
Weight	G736 (14 lbs)
Overall Length	G736 (36 inches)
Max Effective Range	800 meters (ammunition dependent)

SKU Numbers:

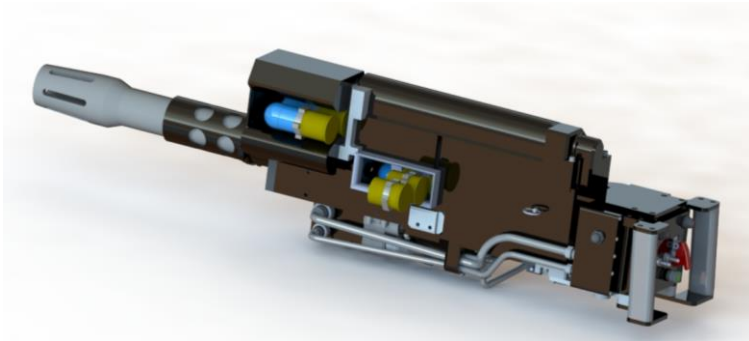
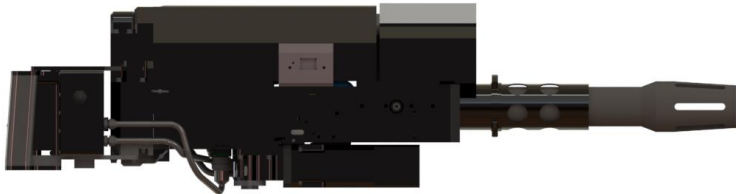
RePR-G7
– Base Model Launcher
Contact Sales for pricing and additional configurations.

Contact Sales for pricing and additional configurations.



40 x 53mm GRENADE LAUNCHER

C4053

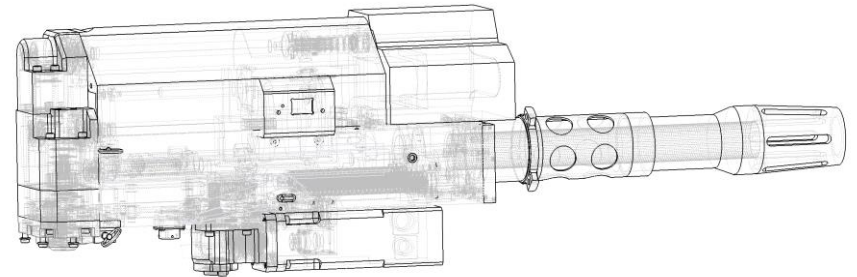


Specifications

Caliber	40 x 53mm (All NATO Standard)
Weight	59.64 lbs. (less ammunition)
Overall Length	36.90 inches
Max Effective Range	2,200 meters (ammunition dependent)

SKU Numbers:

C4053-1000
– Base Model Launcher
Contact Sales for pricing and additional configurations.



Contact Sales for pricing and additional configurations.



M203 GRENADE LAUNCHER

Daycraft M203



Specifications

Caliber	40 mm
Weight	3 lbs
Overall Length	15 inches
Max Effective Range	450 meters (ammunition dependent)

SKU Numbers:

M203
Contact Sales for pricing and additional configurations.

- Base Model Launcher

Daycraft M203 EXPIC and Standalone



Specifications

Caliber	40 mm
Weight	M203 EXPIC (1.73 lbs)
Overall Length	M203 EXPIC 15 inches
Weight	M203 Standalone (5.6 lb)
Overall Length	M203 Standalone unfolded (27 inches)
Max Effective Range	450 meters (ammunition dependent)

SKU Numbers:

M203
Contact Sales for pricing and additional configurations.

- Base Model Launcher

Contact Sales for pricing and additional configurations.

GENERAL PURPOSE MACHINE GUN MOUNTS

DAYCRAFT GM 240



DAYCRAFT GM 240 Variable



MK 16 MOD 9



MK 16 MOD 8



Specifications

SKU Numbers:

- R240 – M240 Style Gun Mount
- R240V – M240 Style Gun Mount Variable position
- MK16MOD8 - Large Pintle Mount
- MK16MOD9 - Tripod

Contact Sales for pricing and additional configurations.

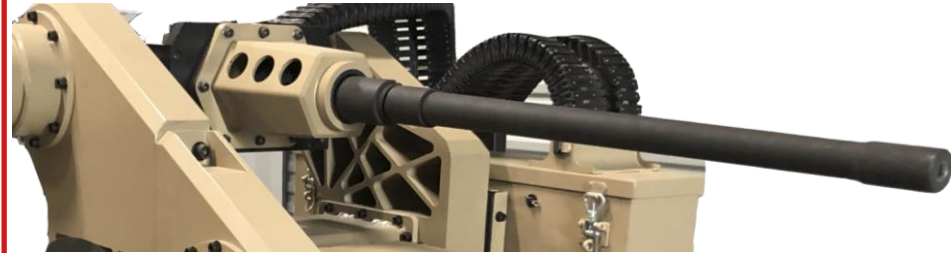


AUTO-CANNONS GUN MOUNTS & INTERFACES

C12099-CSM



C12099-RWSC1



Specifications

SKU Numbers:

- | | |
|--------------|---|
| C12099-CSM | - C12099 .50 Cal Crew Serve Mount |
| C12099-RWSC1 | - C12099 .50 Cal Remote Weapon Station Cradle Interface |

Contact Sales for pricing and additional configurations.



ROTARY MACHINE GUN MOUNTS

G0751-VA



G0751-VASP



G0751-SPLP



Specifications

SKU Numbers:

- | | |
|------------|--------------------------------------|
| G0751-VA | - G0751 Vertical Arm Mount |
| G0751-VASP | - G0751 Vertical Arm Small Pintle |
| G0751-SPLP | - G0751 Small Pintle to Large Pintle |

Contact Sales for pricing and additional configurations.

AMMUNITION – ARMOR PIERCING



.308 Caliber Specifications (146gn)

Cartridges

DAYCRAFT AP/API 300 Blackout
DAYCRAFT API 7.62 NATO
DAYCRAFT API 7.62 x 54

.338 Caliber Specifications (268gn)

Cartridges

DAYCRAFT API .338 Lapua Magnum
DAYCRAFT API .338 Norma Magnum
DAYCRAFT API .338 Winchester Magnum

.416 Barrett Caliber Specifications (505gn)

Cartridges

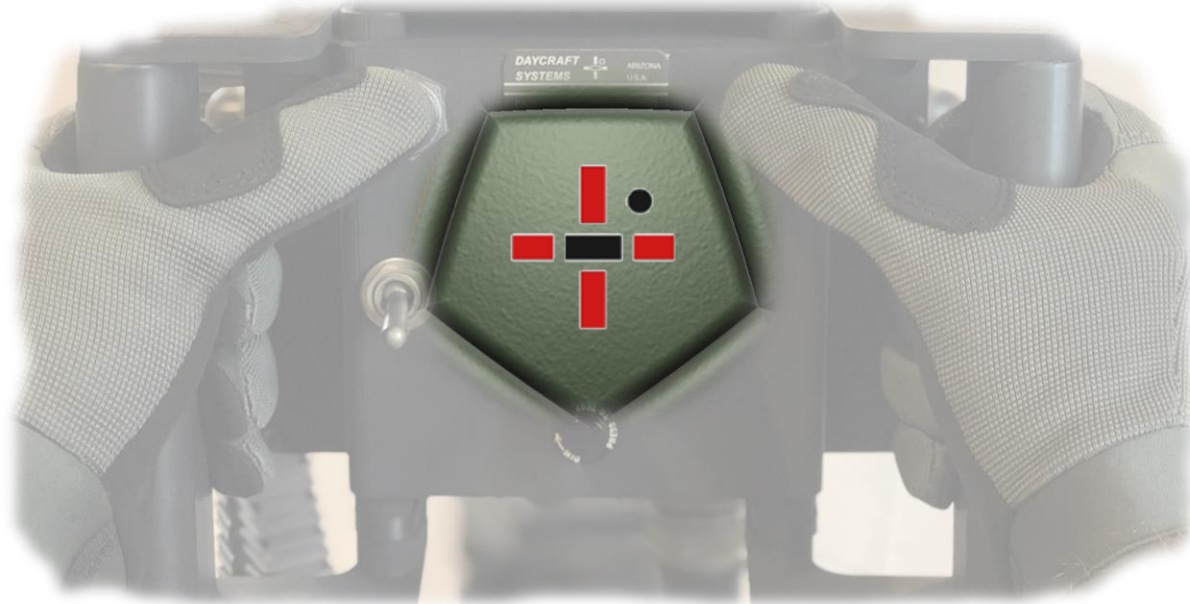
DAYCRAFT API .416 Barrett

.50 BMG Caliber Specifications (685gn)

Cartridges

DAYCRAFT API .50 BMG

**DAYCRAFT
SYSTEMS** 



Mailing address:
Daycraft Systems
3527 S. Hangar Drive
Coolidge, AZ 85128

Business hours:
Monday – Friday, 8am – 5pm, Arizona

Website:
www.daycraftsystems.com

Sales Inquiries

Email: sales@daycraftsystems.com

CAUTION:

Daycraft Systems reserves the right to modify or change the specifications at any time without prior notice.

ATF Licenses:

Type 10 Manufacturer of Destructive Devices
Type 11 Importer & Exporter of Destructive Devices

CAGE: 7WAX6

**MILITARY PRODUCTS
2024 CATALOG**