

HDMI MATRIX CONTROLLER 08X08 TFL88HN



FEATURES

- Max support 8 image inputs and 8 image outputs of HDMI, Input and output port support HDMI 1.4, HDCP compatible, Support for HDMI 1.3a.
- Input and output ports resolution support 480p/720p/1080i/1080P, Support the DVD24/50/60fs/HD-DVD/xvYCC video format of Blue-Light
- HDMI input transmission distance is up to 20 meters, the output transmission distance is up to 30 meters
- Max support 8 audio inputs and 1 audio output of HDMI (Note: Only the output port 1 of HDMI can use to be audio output), The Audio format DTS-HD/Dolby-trueHD/LPCM7.1 /DTS/DOLBY-AC3/DSD
- Support all the HDTV resolutions include 1080/60 and PC resolution up to 1920 x1200P.
- The bandwidth of data of matrix are 4.5Gbps
- FPGA Programmable logic circuit, supports free-inter switching that brings quick switch response
- High speed digital transmission technology, perfectly solve the crosstalk, smear ghost phenomenon, brings perfectly image
- Built-in long line self-adaptive input compensation which enable to compensate input signal loss independently and automatically.
- Matrix is controlled by RS232 input and output, Remote controller, Keyboard
- Signal timing reforming, CEC, 36 bit true color and DSIP
- CMMAW technology and CCSEB power management technology
- New 3D blue matrix display screen
- Max support 64 scene
- ESD protection design on boards
- Standard 19-inch metal installation cabinet
- Power failure restart can quickly restore the display state before power failure.

SYSTEM

Max Input	8
Max Output	8
Video Format	Support HDCP 1.3, DVI 1.0
Gain	0 dB
Pixel Bandwidth	Digital data 165MHz
I/O bandwidth	Digital data 2.25Gbps
Max resolution	Normal-PC: 1600x1200@60_24bit, HDPC: 1920x1200P@60_24bit, HDTV 1920x1080P@60_36bit
CLK deviation	<0.15 Tbit
Bit rise time	<0.3Tbit (20%--80%)
Bit drop time	<0.3Tbit (20%--80%)
Max transmission delay	5ns(+1ns)
Switch time	Max 200 ns
Signal Format	HDMI 1.3, HDMI-A digital T.M.D.S. signal
Software	Wall controller, Switcher control

INPUT

I/O port	HDMI-A type, 19 Pin, female
Signal	T.M.D.S +/- 0.4Vpp
Min/Max level	T.M.D.S 2.9V/3.3V
Input EDID	General EDID
Resistance	<750Ω
Max DC bias error	15mV
Max distance	<20m at 1920x1200@60(suggest industrial grade HDMI cable)

OUTPUT

I/O port	HDMI, 19pin, female
Signal	T.M.D.S. 2.9V/3.3V
Resistance	<75Ω
Max distance	<15m at 1920x1200@60(suggest industrial grade HDMI cable)

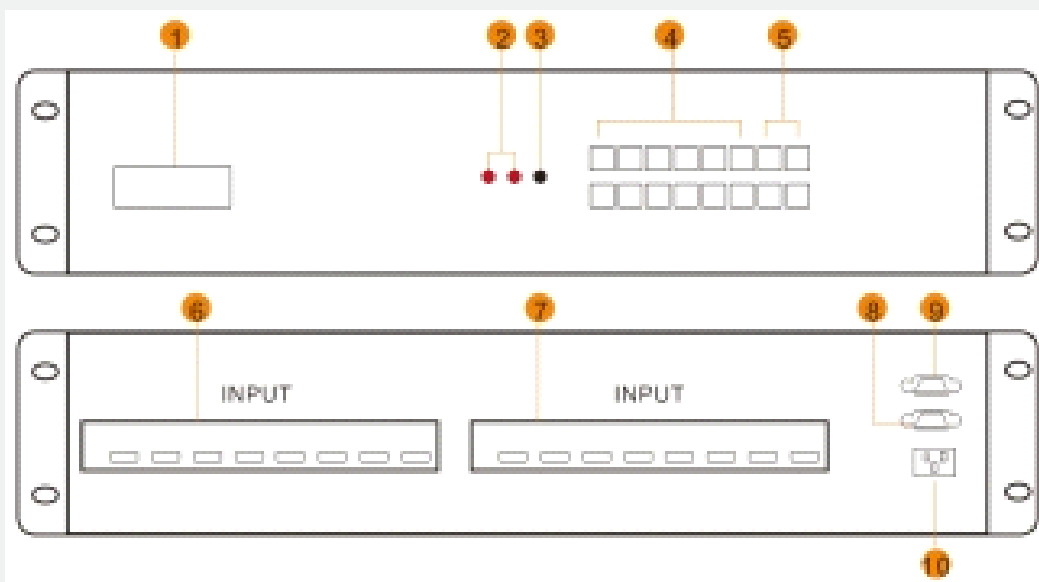
RS232

RS232IN	RS232 male connector, (pin 2 = TX, pin 3 = RX, pin 5 = GND, the other NC) Baud rate:9600,Data bit: 8, Stop bit: 1,No parity check bit
RS232OUT	RS232 male(pin 2 = TX, pin 3 = RX,pin 5 = GND,the other NC) Baud rate:9600,Data bit: 8, Stop bit: 1,No parity check bit

OTHER

Temp	Work:0°C ~50°C,None work:-40° to 70°C
Operating Humidity	Work: 8% to 90% (Non Condensing Humidity),
Storage Humidity	Work:5 to 95% (Non Condensing Humidity)
Noise	Work <50dBA
Power	AC 100-240V~/6-3A/60-50Hz
Dimension	480x310x90mm
Weight	NW: 8Kg,GW: 10Kg
Accessories	User manual, Power cord

TECHNICAL DIAGRAM



* Note: Product specifications are subject to change without prior notice.