

**FORCED ENTRY &
CONTAINMENT**

ArmorPlast® — AP375 — Security

PRODUCT DESCRIPTION

ArmorPlast® products are manufactured with our industry-leading resins for exceptional forced entry impact resistance.

Years of field experience and laboratory testing has resulted in the AP Series product line. Our premium forced entry barrier satisfies both security and aesthetic requirements.

High optical clarity and shatter resistance ensures that visibility can be maintained for surveillance or visual confirmation, even during a severe attack.

With glass-like transparency, extreme durability, and an extended service life due to our special UV coatings, ArmorPlast® products are the perfect solution for light weight security window and door retrofits.



CONTAINMENT AND SAFETY GLAZING

DESCRIPTION

ArmorPlast® 375 containment grade sheet is a monolithic polycarbonate that satisfies the requirements of ASTM F 1915. Each polycarbonate sheet features an abrasion and UV resistant coating for extended service life in harsh environments. ArmorPlast® 375 has a seven (7) year Limited Product Warranty against coating failure, yellowing, and hazing. The terms of the warranty are available upon request.

APPLICATIONS

Jails, detention centers, schools, religious facilities, psychiatric hospitals - for protection against forced entry. Unlike glass-clad products, this all polycarbonate material resists breakage even after repeated high force impacts.

TYPICAL PROPERTIES

THICKNESS	0.375" ± 5%
WEIGHT	2.3 LBS/SQ FT
SHADING COEFFICIENT	0.92
LIGHT TRANSMISSION	88%
U-VALUE	0.84

RATINGS

SECURITY RATINGS

- Forced Entry & Containment
- UL 972 Burglary Resistant Glazing
- ASTM F 1915 Grade 3

COMPLIANCE CERTS

- ANSI Z97.1 Safety Glazing
- CPSC 16 CFR 1201 CAT I and II
- FBC High Velocity Hurricane Zone
- UL 746C: Sustainability for Outdoor Use
- AAMA 501.8: Resistance to Human Impact



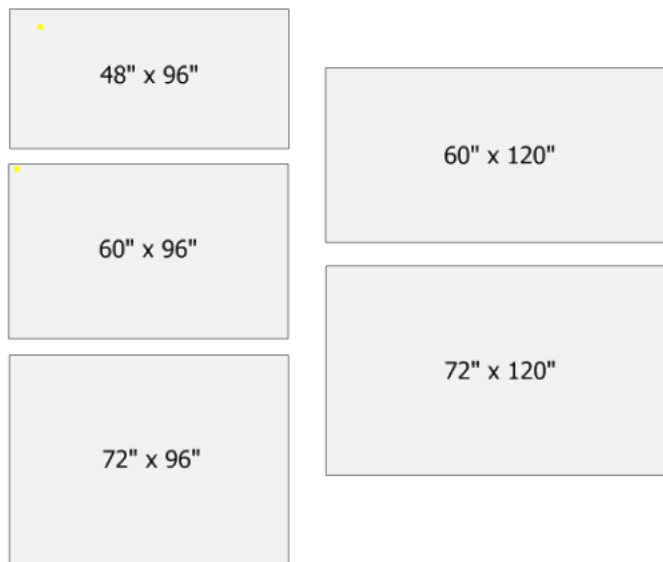
DCN100423-7

ArmorPlast® Polycarbonate Security panels

GLAZING RECOMMENDATIONS

- Structural security framing systems with equal or greater forced entry and/or ballistics ratings to the selected AR Series security are recommended.
- ArmorPlast® panels should be sized to allow for a minimum of one 3/4" edge engagement in the frame
- Use wet or dry sealants compatible polycarbonates.
- Remove protective masking after glazing operations are completed and before prolonged exposure to direct sunlight, moisture or high temperature.

STANDARD STOCK SIZES*



*Additional Sizes may be available upon special request.

SELLER DISCLAIMS ALL IMPLIED WARRANTIES AND SIMILAR OBLIGATIONS (OTHER THAN GOOD TITLE) INCLUDING BUT NOT LIMITED TO THOSE OF FITNESS FOR A PARTICULAR PURPOSE, AND MERCHANTABILITY, WHETHER OTHERWISE ARISING BY LAW, CUSTOM, USAGE, TRADE PRACTICE, COURSE OF DEALING, OR COURSE OF PERFORMANCE. Buyer acknowledges the installation of the goods must be performed by an authorized dealer and with the correct procedures to achieve any particular purpose or safety result. There are no warranties which extend beyond those express warranties contained in the purchase agreement between Buyer and Seller. Buyer affirms that it has not relied upon Seller's skill nor judgment to select or furnish the Goods for any particular purpose beyond the specific express warranties in the Agreement. Any design provided by Seller is based on information provided by Buyer. Seller does not warrant the Goods will comply with the requirements of any safety or environmental code or regulation of any federal, state, municipality or other jurisdiction beyond the specific express warranties or test data in the Agreement.

Buyer acknowledges although components of the Riot Glass, LLC products may contain specific ratings, including ballistics-grade products, such tests were performed in laboratory conditions, in a controlled environment, and only related as a specific component of the overall system. Buyer acknowledges Buyer is purchasing an installed system comprising of multiple components which have been rated, tested, or approved for varying performance levels including ballistics, or fitness of a particular purpose, including but not limited to preventing intrusion by any or limited means. Furthermore, neither Riot Glass, LLC nor its Authorized Dealers can guarantee the installed system will provide the necessary protection to Buyer's property due to the variance of the environment from laboratory conditions. Riot Glass, LLC specifically disclaims any implied warranties, including fitness for a particular purpose and merchantability, and advises Buyer to conduct its own research to determine the best solution for Buyer's unique situation.

Riot Glass, LLC

800.580.2303

17941 Brookshire Lane, Huntington Beach, CA 92647

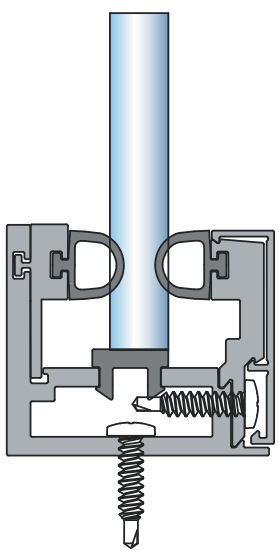
riotglass.com

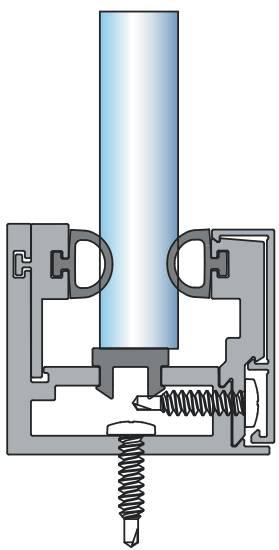
©2023 RIOT GLASS, LLC

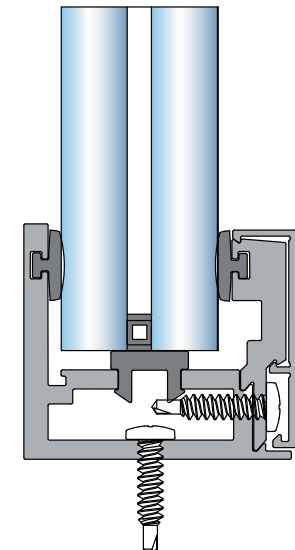


ArmorPlast® is a trademark of Riot Glass, LLC.

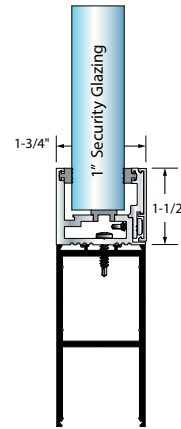
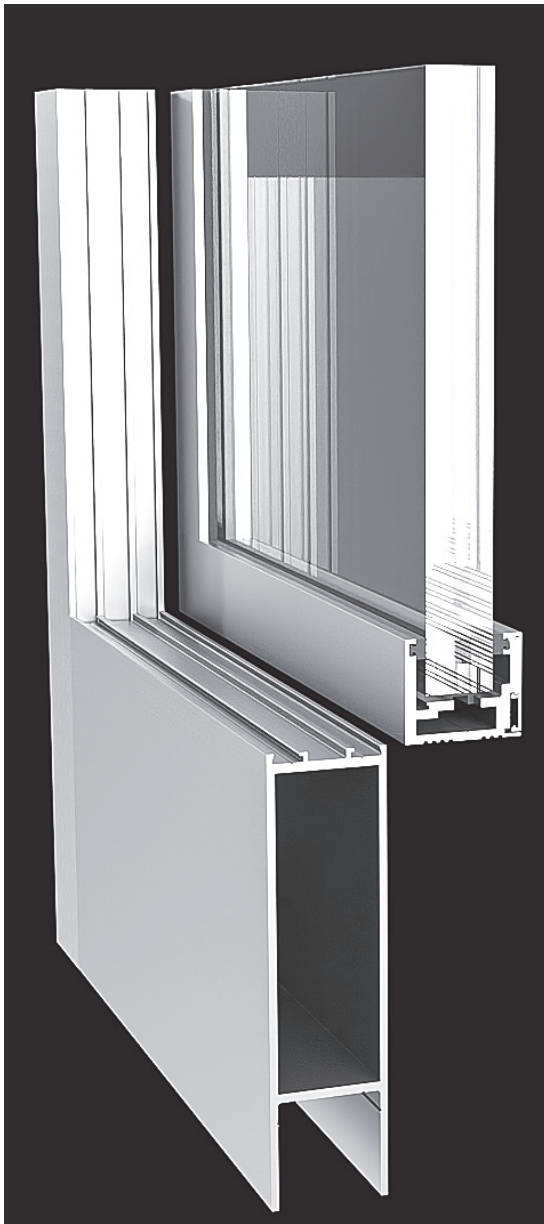
AP2-DC Aluminum Door Conversion

AP2-DC-375	PARTS	PART NUMBERS
 <p>FASTENER SUPPLIED BY OTHERS</p>	INFILL PANEL	AP375 AP375BR
	BASE PROFILE	AP2-DC-B-4
	PRESSURE PLATE	AP2-SF-WPP-4
	REDUCER	AP2-REDUCER-5
	SECURITY COVER	AP2-CAP-45
	SEAL	APBG475
	SETTING BLOCK	APBGST2
	P-PLATE FASTENER	#8 X 3/4" SS TAMPERPROOF

AP2-DC-75	PARTS	PART NUMBERS
 <p>FASTENER SUPPLIED BY OTHERS</p>	INFILL PANEL	AP75
	BASE PROFILE	AP2-DC-B-4
	PRESSURE PLATE	AP2-SF-WPP-4
	REDUCER	AP2-REDUCER-5
	SECURITY COVER	AP2-CAP-45
	SEAL	APBG315
	SETTING BLOCK	APBGST2
	P-PLATE FASTENER	#8 X 3/4" SS TAMPERPROOF

AP2-DC-100	PARTS	PART NUMBERS
 <p>FASTENER SUPPLIED BY OTHERS</p>	INFILL PANELS	1.0" IGU (AP375)
	BASE PROFILE	AP-SFHD-B-4
	PRESSURE PLATE	AP2-SF-WPP-4
	REDUCER	N/A
	SECURITY COVER	AP2-CAP-45
	SEAL	APBG208
	SETTING BLOCK	APBGST2
	P-PLATE FASTENER	#8 X 3/4" SS TAMPERPROOF

AP2-DC Aluminum Door Conversion



AP2-DC (Section 12)
Heavy-Duty, aluminum-framed door conversion system that replaces existing glass with desired infills. Compatible with 3/8" to 1" ArmorPlast panels and ballistic glass.