

RF-1400 / X-fifteen

VISORS



CWR-F2 SHIELD W/PINS CLEAR

01-71037



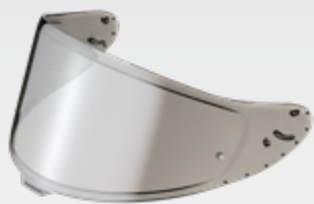
CWR-F2 SHIELD W/PINS MELLOW SMOKE

01-71038



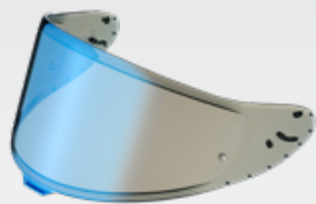
CWR-F2 SHIELD W/PINS DARK SMOKE

01-71039



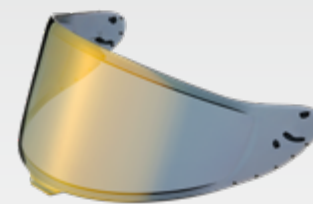
CWR-F2 SHIELD W/PINS SPECTRA SILVER

01-71040



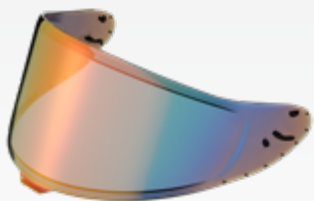
CWR-F2 SHIELD W/PINS SPECTRA BLUE

01-71041



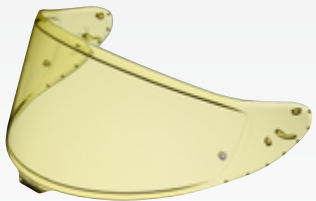
CWR-F2 SHIELD W/PINS SPECTRA GOLD

01-71042



CWR-F2 SHIELD W/PINS SPECTRA FIRE ORANGE

01-71043



CWR-F2 SHIELD W/PINS HI-DEF YELLOW

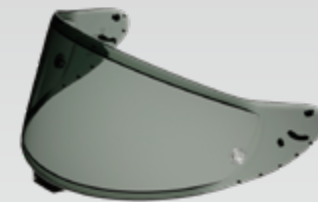
01-71045



CWR-F2 SHIELD PHOTOCHROMIC (RF-1400)

01-71046

RF-1400 / X-fifteen RACING



CWR-F2R PINLOCK CLEAR W/T.O.P. FOR RACING

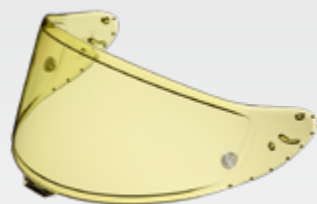
01-71047

CWR-F2R PINLOCK LIGHT SMOKE W/T.O.P. FOR RACING

01-71048

CWR-F2R PINLOCK DARK SMOKE W/T.O.P. FOR RACING

01-71049



**CWR-F2R PINLOCK HIGH DEFINITION
YELLOW W/T.O.P. FOR RACING**

01-71050

RF-SR / X-fourteen



CWR-1 SHIELD PINLOCK CLEAR

01-70470



CWR-1 SHIELD PINLOCK MELLOW SMOKE

01-70471



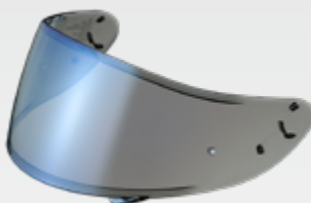
CWR-1 SHIELD PINLOCK DARK SMOKE

01-70472



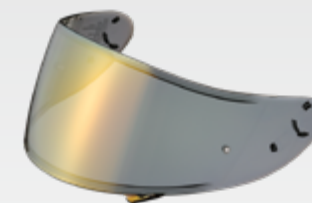
CWR-1 SHIELD PINLOCK SPECTRA SILVER

01-70473



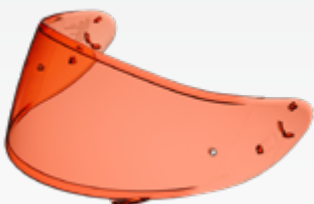
CWR-1 SHIELD PINLOCK SPECTRA BLUE

01-70474



CWR-1 SHIELD PINLOCK SPECTRA GOLD

01-70475



CWR-1 SHIELD PINLOCK SPECTRA SILVER

01-70473



CWR-1 SHIELD PINLOCK HI-DEF YELLOW

01-70477



CWR-1 PH.CHRM. SHLD (RF-12/RF-SR/X14) JP

01-70478



CWR-1 SHIELD PINLOCK SPECTRA FIRE ORANGE

01-70483

RF-SR / X-fourteen RACING

VISORS



CWR-F P.LOCK CLEAR W/T.O.P. RACING JP

01-70479



CWR-F P.LOCK D.SMOKE W/T.O.P. RACING JP

01-70480



CWR-F P.LOCK SMOKE W/T.O.P. RACING JP

01-70481



CWR-F P.LOCK HI-DEF YEL W/T.O.P. RAC JP

01-70482

HORNET X2



CNS-2 VISOR CLEAR JP

01-70557



CNS-2 VISOR DARK SMOKE JP

01-70558



CNS-2 VISOR SPECTRA SILVER JP

01-70559

NEOTECH II



CNS-3 SHIELD WITH PINS CLEAR JP

01-70785



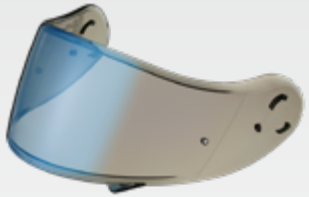
CNS-3 SHIELD W/PINS DARK SMOKE JP

01-707851



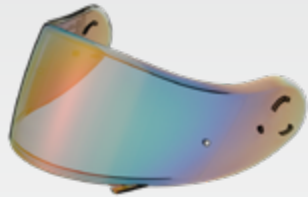
CNS-3 SHIELD W/PINS MELLOW SMOKE JP

01-707852



CNS-3 SHIELD W/PINS SPECTRA BLUE JP

01-707853



CNS-3 SHIELD W/PINS SPECTRA FIRE ORA JP

01-707854



CNS-3 SHIELD W/PINS SPECTRA SILVER JP

01-707855

J-Cruise II



CJ-2 SHIELD CLEAR JP

01-7168



CNS-1 SHIELD CLEAR JP

01-7170



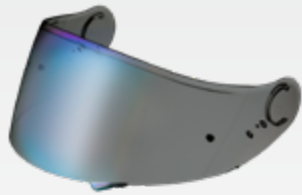
CNS-1 SHIELD W/PINS DARK SMOKE JP

01-71701



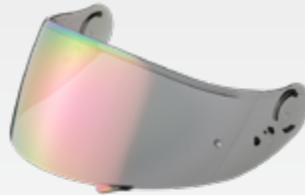
CNS-1 SHIELD W/PINS MELLOW SMOKE JP

01-71702



CNS-1 SHIELD W/PINS SPECTRA BLUE JP

01-71703



CNS-1 SHIELD W/PINS SPECTRA FIRE ORA JP

01-71704



CNS-1 SHIELD W/PINS SPECTRA SILVER JP

01-71705



SHOEI

ADVANCED TECHNOLOGY

RESEARCH & DEVELOPMENT

The many essential stages of R&D throughout new helmet production are vast and comprehensive, but none are as informative as the use of SHOEI's state-of-the-art wind tunnel. Motorcyclists live in a stream of moving air, making SHOEI's in-house wind tunnel an integral tool during design and development. In addition to noise reduction technology and shell aerodynamics, the aerodynamic efficiency of vents, spoilers and visors are also analyzed during SHOEI's extensive wind tunnel testing practices. The result: every SHOEI helmet boasts an incredibly sleek design that increases airflow, reduces noise, buffeting and lift, and ultimately enhances the overall comfort and performance of your ride.

An integral feature refined during the R&D process, SHOEI's ventilation systems direct cooling air in through the front of the helmet, and utilize key areas of low air pressure to the rear of the helmet to draw warm, damp air through its exhaust outlets. Along with the perfect shape and placement of vent intakes and outlets, the air channels in SHOEI's unique Dual-Layer EPS Liner systems are a significant contributor to our helmets' world-class ventilation characteristics.

PRODUCT DESIGN

At SHOEI, the helmet design process is a carefully strategized, meticulous journey choreographed by a world-class team of creative minds. Often beginning with market research and input from our expert testing staff to identify what riders require to better their helmet and riding experience, SHOEI designers then set out to innovate and evolve design and functionality to the next level. Form, function, and overall styling are all important qualities, but it's safety that reigns supreme during the design of every SHOEI product. Striving to maintain consistency between their initial aspirational concepts and the actual, finished production line products, SHOEI's design team sees the entire development process through to ensure that their visions are fully realized.





QUALITY MADE IN JAPAN



SHELL MOLDING TECHNOLOGY

SHOEI's proprietary AIM (Advanced Integrated Matrix) and AIM+ shell molding technology integrates a multi-ply matrix of hand-laid interwoven layers of fiberglass with lightweight organic and high-performance fibers. Together, these materials combine to maximize strength and elasticity in a strong yet lightweight shell, and each is personally marked by the technician responsible for its production to further endorse the quality of every helmet.



LASER CUTTING

Robotically controlled lasers give each helmet its final shape by cutting off protrusions created during the shell molding process, as well as creating the openings for eye and ventilation ports. Once this process is complete, all helmets are thoroughly inspected to ensure proper material thickness and weight before moving on to the next phase of manufacturing.



PRODUCTION & QUALITY ASSURANCE

For all the energy and passion invested into the design and development of a product, the same level of care and due diligence must be achieved during the production process. A number of unique, state-of-the-art processes combine to yield the unrivaled quality that only SHOEI helmets are known for, and each helmet must pass several rigorous inspections throughout production before being awarded with the famous SHOEI hexagon.



PAINTING & GRAPHIC APPLICATION

SHOEI's intricate painting and graphics application procedures are second to none. Combining handwork with state-of-the-art automation processes to ensure optimal quality, each helmet boasts a premium painted finish and hand-applied decals before being sealed and protected with several quality layers of clearcoat. Each and every SHOEI helmet receives up to five layers of paint before final assembly.



FIT & COMFORT

SHOEI knows that one size does not fit all, which is why we offer a large number of shell sizes per helmet model, as well as various liner sizes and cheek pad thicknesses to ensure a customizable fit. Along with extensive research on head shapes and sizes, SHOEI incorporates a mix of exclusive comfort and performance features into the construction of every helmet. Groundbreaking components like our 3D Max-Dry Interior Systems, 3D-shaped center pads to match the contours of a rider's head, fully removable, washable and replaceable liner systems, multi-layer cheek pads, eyeglass channels, and integrated neck pads accentuate the impeccable comfort packages exclusive only to SHOEI helmets.



FINAL ASSEMBLY

A critical step in the manufacturing process, final helmet assembly is done with care and precision, including the installation of ventilation sliders, window beading, impact absorbing EPS liners, and comfort interiors. Each helmet passes a detailed final inspection before being passed on to the consumer. This strict compliance with the production processes and associated quality control standards guarantee the consistently high quality of a SHOEI helmet.

THE PERFECT FIT

No helmet can protect the wearer against all unforeseeable high- and low-speed impacts. However, to help maximize head protection, the helmet must fit properly, and the retention system must be securely fastened under the chin. Failure to ride with a proper fitting helmet and securely fastened chinstrap is dangerous, as the helmet could come off during an accident, resulting in severe head trauma or death.

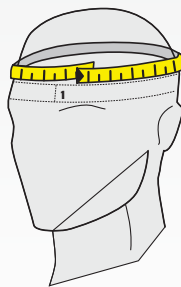
To determine the proper helmet fit and learn how to safely secure your chinstrap retention system, we recommend viewing SHOEI's "Helmet Fit" video on YouTube (youtu.be/5_9IS0iVqNA), or consult with an authorized SHOEI dealer. Proper fit is important not only for comfort, but for safety as well.



HOW TO MEASURE YOUR HEAD SIZE

1. To determine where you fall on SHOEI's sizing chart (as a starting point for proper helmet fit), pass a soft, flexible tape measure horizontally around your head at a height of approximately one inch (2.5cm) above your eyebrows (the largest measurement around your forehead).

2. Select the helmet size that is closest to your head measurement from the sizing guidelines below. If your head measurement falls between two helmet sizes, first try on the smaller of the two helmets.



CUSTOMIZE YOUR HELMET'S FIT

SHOEI offers a full line of replaceable cheek pads and center pads in varying thicknesses for all of our current street and off-road helmets. Once you've found a SHOEI helmet that fits comfortably around the crown of your head, you can easily fine-tune the overall fit by changing to one of our optional cheek pad and/or center pad sizes. Visit our online store at shoei-helmets.com to view a full list of options.

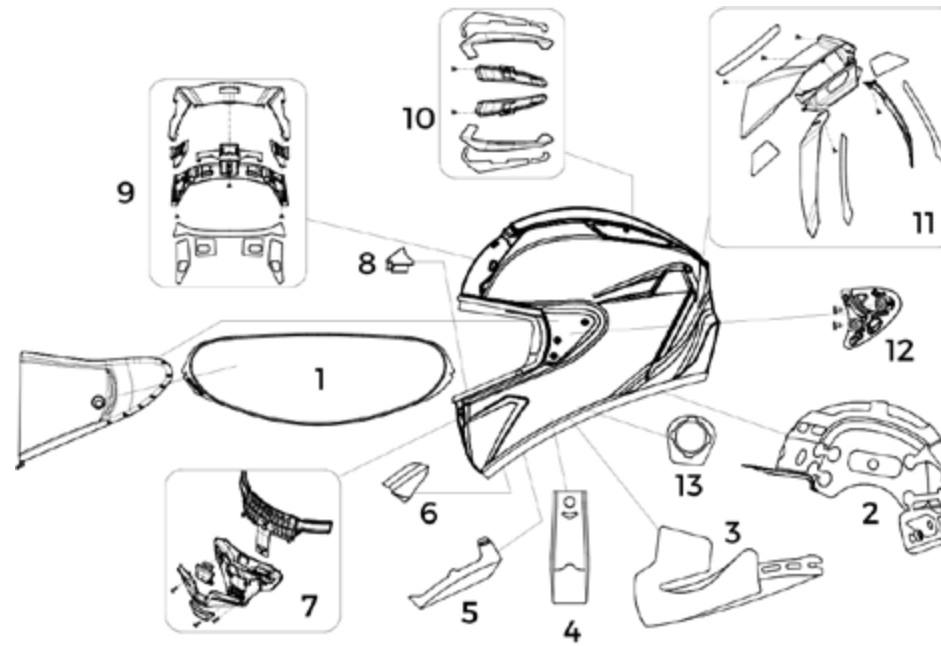


SIZING GUIDELINES

SIZE:	XX-SMALL	X-SMALL	SMALL	MEDIUM	LARGE	X-LARGE	XX-LARGE	XXX-LARGE
HAT SIZE	6 3/8 - 6 1/2	6 5/8 - 6 3/4	6 7/8 - 7	7 1/8 - 7 1/4	7 3/8 - 7 1/2	7 5/8 - 7 3/4	7 7/8 - 8	8 1/8 - 8 1/4
CM	51 - 52	53 - 54	55 - 56	57 - 58	59 - 60	61 - 62	63 - 64	65 - 66
INCHES	20 1/8 - 20 1/2	20 7/8 - 21 1/4	21 5/8 - 22	22 1/2 - 22 7/8	23 1/4 - 23 5/8	24 - 24 3/8	24 3/4 - 25 1/8	25 5/8 - 26



X-Fifteen

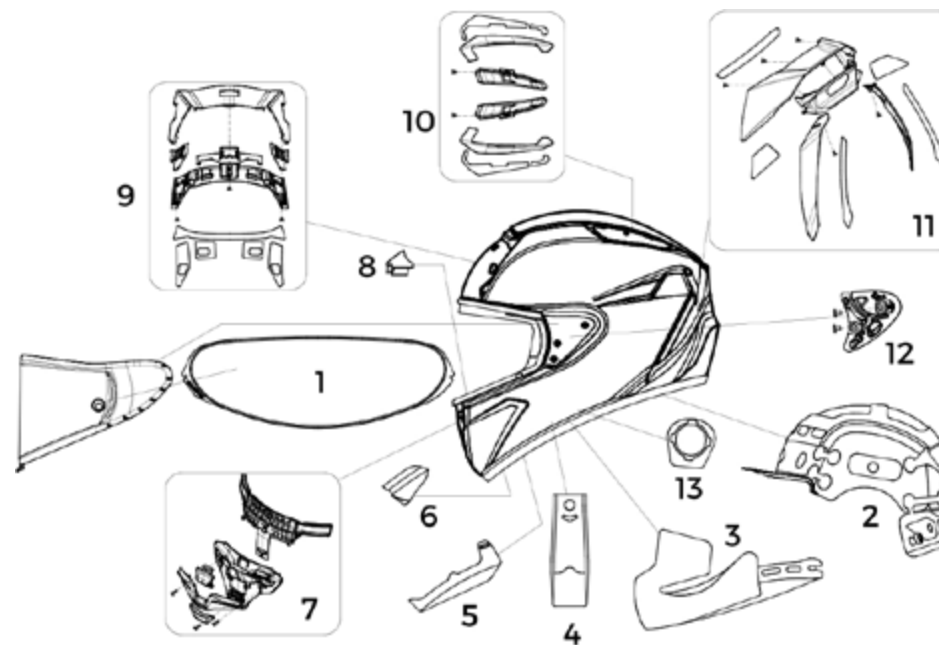


X-FIFTEEN

2	
01-71155	TYPE-P CENTER PAD SET (XS, S STANDARD)
01-71156	TYPE-P CENTER PAD SET (M STANDARD)
01-71157	TYPE-P CENTER PAD SET (L STANDARD)
01-71158	TYPE-P CENTER PAD SET (XL STANDARD)
01-71159	TYPE-P CENTER PAD SET (XXL STANDARD)
01-71160	TYPE-P CENTER PAD FRONT F5 (FOR XS-XXL) (STD = XXL)
01-71161	TYPE-P CENTER PAD FRONT F9 (FOR XS-XXL) (STD = XS-XL)
01-71162	TYPE-P CENTER PAD NECK S9 (STD = XS, S)
01-71163	TYPE-P CENTER PAD NECK S13 (FOR XS, S)
01-71164	TYPE-P CENTER PAD NECK M9 (STD = M)
01-71165	TYPE-P CENTER PAD NECK M13 (FOR M)
01-71166	TYPE-P CENTER PAD NECK L9 (STD = L)
01-71167	TYPE-P CENTER PAD NECK L13 (FOR L)
01-71168	TYPE-P CENTER PAD NECK XL9 (STD = XL, XXL)
01-71169	TYPE-P CENTER PAD NECK XL13 (FOR XL, XXL)
01-71170	TYPE-P CENTER PAD REAR S5 (FOR XS, S)
01-71171	TYPE-P CENTER PAD REAR S9 (FOR XS, S) (STD = S)
01-71172	TYPE-P CENTER PAD REAR M5 (FOR M)
01-71173	TYPE-P CENTER PAD REAR M9 (FOR M) (STD = M)
01-71174	TYPE-P CENTER PAD REAR L5 (FOR L)
01-71175	TYPE-P CENTER PAD REAR L9 (FOR L) (STD = L)
01-71176	TYPE-P CENTER PAD REAR XL5 (FOR XL, XXL) (STD = XXL)
01-71177	TYPE-P CENTER PAD REAR XL9 (FOR XL, XXL) (STD = XL)
01-71178	TYPE-P CENTER PAD SIDE F5 (L&R) (FOR XS-XXL) (STD = XXL)
01-71179	TYPE-P CENTER PAD SIDE F9 (L&R) (FOR XS-XXL) (STD = XS-XL)

3	
01-71151	TYPE-P CHEEK PAD SET 31MM
01-71152	TYPE-P CHEEK PAD SET 35MM
01-71153	TYPE-P CHEEK PAD SET 39MM
01-71154	TYPE-P CHEEK PAD SET 43MM

PAD SETS	
01-71181	TYPE-P ADJUSTMENT PAD SET HARD NO GLUE (FRONT, SIDE, REAR, TOP) (FOR XS, S)
01-71182	TYPE-P ADJUSTMENT PAD SET SOFT W/GLUE (FRONT, SIDE, REAR, TOP) (FOR XS, S)
01-71183	TYPE-P ADJUSTMENT PAD SET HARD NO GLUE (FRONT, SIDE, REAR, TOP) (FOR M)
01-71184	TYPE-P ADJUSTMENT PAD SET SOFT W/GLUE (FRONT, SIDE, REAR, TOP) (FOR M)
01-71185	TYPE-P ADJUSTMENT PAD SET HARD NO GLUE (FRONT, SIDE, REAR, TOP) (FOR L)
01-71186	TYPE-P ADJUSTMENT PAD SET SOFT W/GLUE (FRONT, SIDE, REAR, TOP) (FOR L)
01-71187	TYPE-P ADJUSTMENT PAD SET HARD NO GLUE (FRONT, SIDE, REAR, TOP) (FOR XL, XXL)
01-71188	TYPE-P ADJUSTMENT PAD SET SOFT W/GLUE (FRONT, SIDE, REAR, TOP) (FOR XL, XXL)



5	
01-70148	CHIN CURTAIN D

6	
01-70757	X-FOURTEEN/X-FIFTEEN LOWER AIR SPOILER

7	
01-71189	X-FIFTEEN LOWER AIR INTAKE BLACK
01-71190	X-FIFTEEN LOWER AIR INTAKE MATTE BLACK
01-71191	X-FIFTEEN LOWER AIR INTAKE WHITE

8	
01-70759	BREATH GUARD J

9	
01-71195	X-FIFTEEN UPPER AIR INTAKE BLACK
01-71196	X-FIFTEEN UPPER AIR INTAKE MATTE BLACK
01-71197	X-FIFTEEN UPPER AIR INTAKE WHITE

10	
01-71192	X-FIFTEEN TOP AIR OUTLET BLACK
01-71193	X-FIFTEEN TOP AIR OUTLET MATTE BLACK
01-71194	X-FIFTEEN TOP AIR OUTLET WHITE

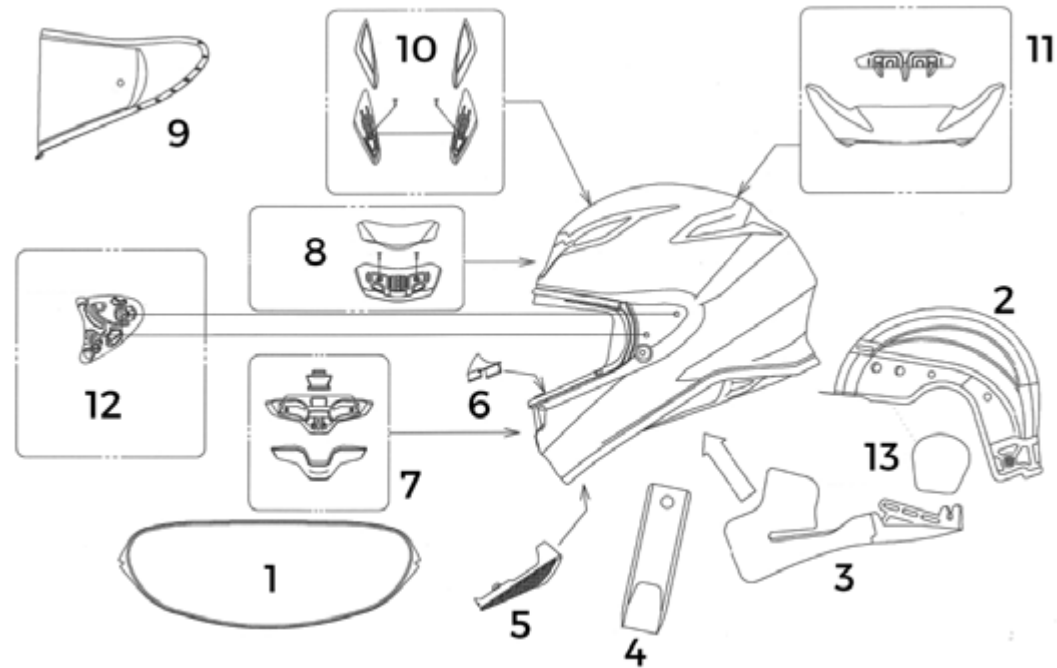
13	
01-70728	EAR PAD D (PAIR)

12	
01-71149	CWR-F2R BASE PLATE (NO SCREWS)
01-71150	CWR-F2R BASE PLATE SET (WITH 4 SCREWS)

OTHERS	
01-70107	QUICK RELEASE E SCREW SET (4)
01-70107	QUICK RELEASE E SCREW SET (4)
01-71198	AIR MASK 6



RF-1400



RF-1400

2	
01-70496	TYPE E CENTER PAD S17 (XS OPTIONAL)
01-70497	TYPE E CENTER PAD S13 (XS)
01-70498	TYPE E CENTER PAD S9 (S)
01-70499	TYPE E CENTER PAD S5 (S OPTIONAL)
01-70500	TYPE E CENTER PAD M13 (M OPTIONAL)
01-70501	TYPE E CENTER PAD M9 (M)
01-70502	TYPE E CENTER PAD M5 (M OPTIONAL)
01-70503	TYPE E CENTER PAD L13 (L OPTIONAL)
01-70504	TYPE E CENTER PAD L9 (L)
01-70505	TYPE E CENTER PAD L5 (L OPTIONAL)
01-70506	TYPE E CENTER PAD XL13 (XL OPTIONAL)
01-70507	TYPE E CENTER PAD XL9 (XL)
01-70508	TYPE E CENTER PAD XL5 (XXL)
01-71101	TYPE E CENTER PAD XXL9 (XXXL OPTIONAL)
01-71102	TYPE E CENTER PAD XXL5 (XXXL)

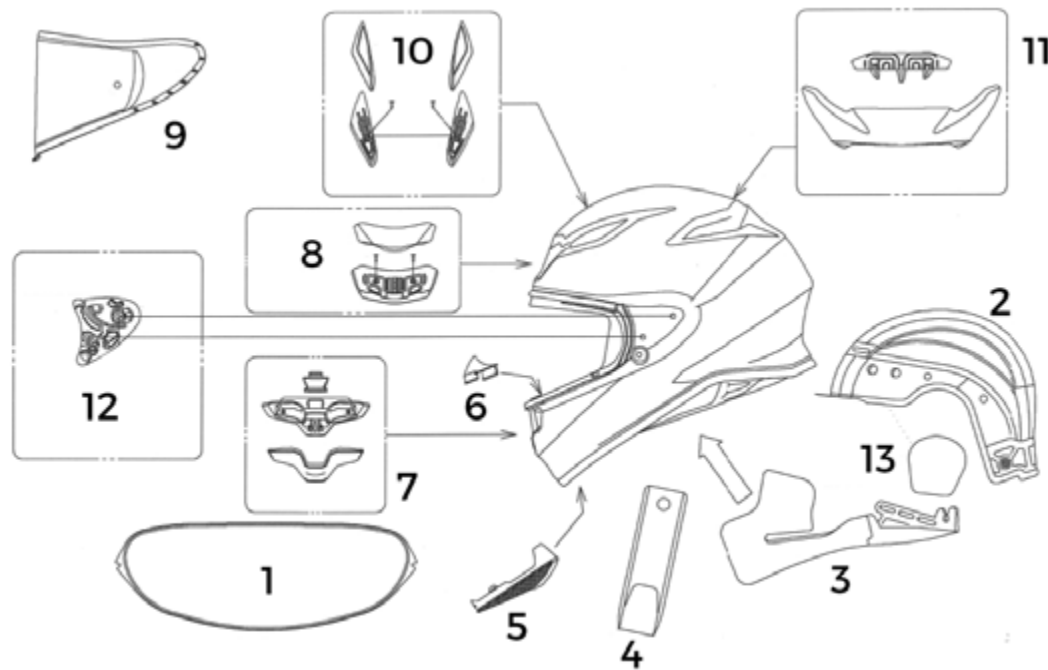
3	
01-71054	RF-1400 CHEEK PAD SET 31MM
01-71055	RF-1400 CHEEK PAD SET 35MM
01-71056	RF-1400 CHEEK PAD SET 39MM
01-71057	RF-1400 CHEEK PAD SET 43MM

4	
01-71058	RF-1400 CHINSTRAP COVER

5	
01-70148	CHIN CURTAIN D

6	
01-70200	BREATH GUARD F

7	
01-71065	RF-1400 LOWER AIR INTAKE BLACK
01-71066	RF-1400 LOWER AIR INTAKE BASALT GREY
01-71067	RF-1400 LOWER AIR INTAKE BRILLIANT YELLOW
01-71105	RF-1400 LOWER AIR INTAKE MATTE BASALT GREY
01-71068	RF-1400 LOWER AIR INTAKE MATTE BLACK
01-71069	RF-1400 LOWER AIR INTAKE MATTE BLUE METALLIC
01-71106	RF-1400 LOWER AIR INTAKE MATTE SLATE GREY
01-71070	RF-1400 LOWER AIR INTAKE WHITE



8	
01-71059	RF-1400 FRONT AIR INTAKE BLACK
01-71060	RF-1400 FRONT AIR INTAKE BASALT GREY
01-71061	RF-1400 FRONT AIR INTAKE BRILLIANT YELLOW
01-71103	RF-1400 FRONT AIR INTAKE MATTE BASALT GREY
01-71062	RF-1400 FRONT AIR INTAKE MATTE BLACK
01-71063	RF-1400 FRONT AIR INTAKE MATTE BLUE METALLIC
01-71104	RF-1400 FRONT AIR INTAKE MATTE SLATE GREY
01-71064	RF-1400 FRONT AIR INTAKE WHITE

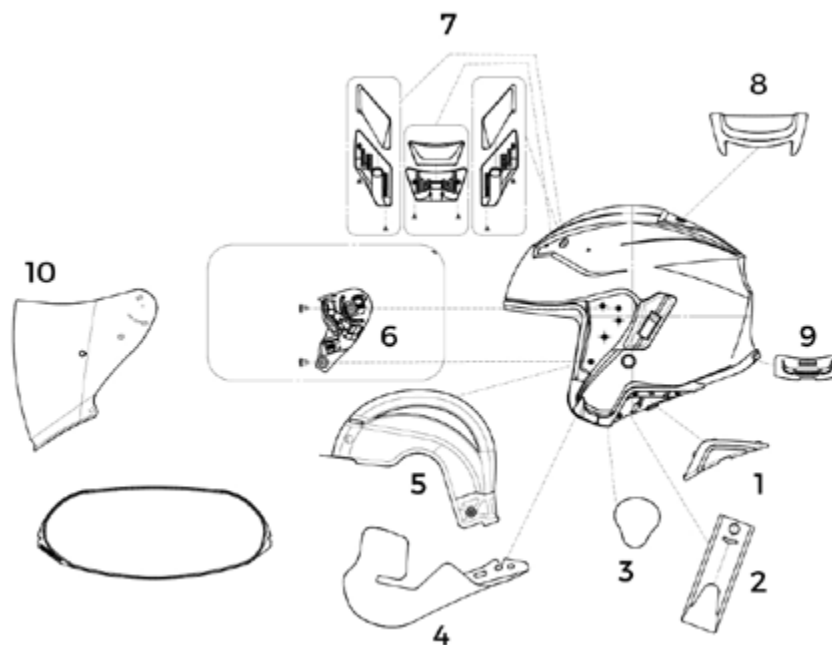
10	
01-71077	RF-1400 UPPER AIR INTAKE BLACK
01-71078	RF-1400 UPPER AIR INTAKE BASALT GREY
01-71079	RF-1400 UPPER AIR INTAKE BRILLIANT YELLOW
01-71109	RF-1400 UPPER AIR INTAKE MATTE BASALT GREY
01-71080	RF-1400 UPPER AIR INTAKE MATTE BLACK
01-71081	RF-1400 UPPER AIR INTAKE MATTE BLUE METALLIC
01-71110	RF-1400 UPPER AIR INTAKE MATTE SLATE GREY
01-71082	RF-1400 UPPER AIR INTAKE WHITE

11	
01-71071	RF-1400 TOP AIR OUTLET BLACK
01-71072	RF-1400 TOP AIR OUTLET BASALT GREY
01-71073	RF-1400 TOP AIR OUTLET BRILLIANT YELLOW
01-71107	RF-1400 TOP AIR OUTLET MM93 RETRO
01-71108	RF-1400 TOP AIR OUTLET MATTE BASALT GREY
01-71074	RF-1400 TOP AIR OUTLET MATTE BLACK
01-71075	RF-1400 TOP AIR OUTLET MATTE BLUE METALLIC
01-71076	RF-1400 TOP AIR OUTLET WHITE

12	
01-71052	CWR-F2 BASE PLATE SET
01-71053	CWR-F2 BASE PLATE SET FULL

13	
01-70513	EAR PAD C

OTHERS	
01-70107	QUICK RELEASE E SCREW SET (4)



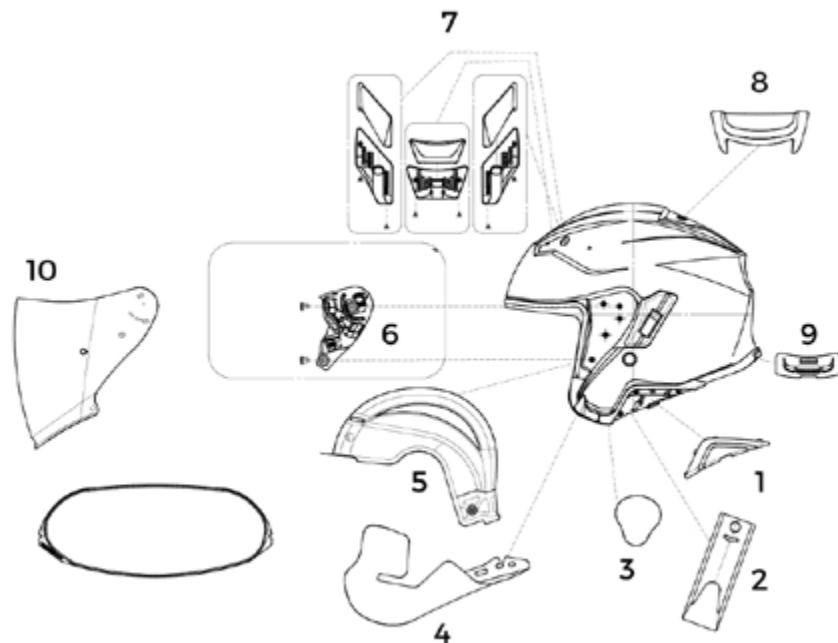
J-CRUISE II

2	
01-71021	J-CRUISE II CHIN STRAP COVER

3	
01-70513	EAR PAD C (PAIR)

4	
01-71022	J-CRUISE II TYPE-O CHEEK PAD 31MM (SET R&L)
01-71023	J-CRUISE II TYPE-O CHEEK PAD 35MM (SET R&L)
01-71024	J-CRUISE II TYPE-O CHEEK PAD 39MM (SET R&L)
01-71025	J-CRUISE II TYPE-O CHEEK PAD 43MM (SET R&L)

5	
01-70950	GT-AIR II/J-CRUISE II TYPE-N CENTER PAD L13 (L OPTIONAL)
01-70951	GT-AIR II/J-CRUISE II TYPE-N CENTER PAD L5 (L OPTIONAL)
01-70952	GT-AIR II/J-CRUISE II TYPE-N CENTER PAD L9 (L STANDARD)
01-70953	GT-AIR II/J-CRUISE II TYPE-N CENTER PAD M13 (M OPTIONAL)
01-70954	GT-AIR II/J-CRUISE II TYPE-N CENTER PAD M5 (M OPTIONAL)
01-70955	GT-AIR II/J-CRUISE II TYPE-N CENTER PAD M9 (M STANDARD)
01-70956	GT-AIR II/J-CRUISE II TYPE-N CENTER PAD S13 (S OPTIONAL)
01-71036	GT-AIR II/J-CRUISE II TYPE-N CENTER PAD S17 (XS, S OPTIONAL)
01-70957	GT-AIR II/J-CRUISE II TYPE-N CENTER PAD S5 (S OPTIONAL)
01-70958	GT-AIR II/J-CRUISE II TYPE-N CENTER PAD S9 (S STANDARD)
01-70959	GT-AIR II/J-CRUISE II TYPE-N CENTER PAD XL13 (XL, XXL OPTIONAL)
01-70960	GT-AIR II/J-CRUISE II TYPE-N CENTER PAD XL5 (XXL STANDARD, XL OPTIONAL)
01-70961	GT-AIR II/J-CRUISE II TYPE-N CENTER PAD XL9 (XL STANDARD)
01-71102	TYPE E CENTER PAD XXL5 (XXXL)



6

01-71019	CJ-2 BASE PLATE 2 (R&L)
01-71020	CJ-2 BASE PLATE 2 SET (R&L, 4 SCREWS)

7

01-71031	J-CRUISE II UPPER AIR INTAKE ANTHRACITE
01-71032	J-CRUISE II UPPER AIR INTAKE BLACK
01-71033	J-CRUISE II UPPER AIR INTAKE MATTE BLACK
01-71034	J-CRUISE II UPPER AIR INTAKE MATTE BLUE METALLIC
01-71035	J-CRUISE II UPPER AIR INTAKE WHITE

8

01-71026	J-CRUISE II TOP OUTLET ANTHRACITE
01-71027	J-CRUISE II TOP OUTLET BLACK
01-71028	J-CRUISE II TOP OUTLET MATTE BLACK
01-71029	J-CRUISE II TOP OUTLET MATTE BLUE METALLIC
01-71030	J-CRUISE II TOP OUTLET WHITE

10

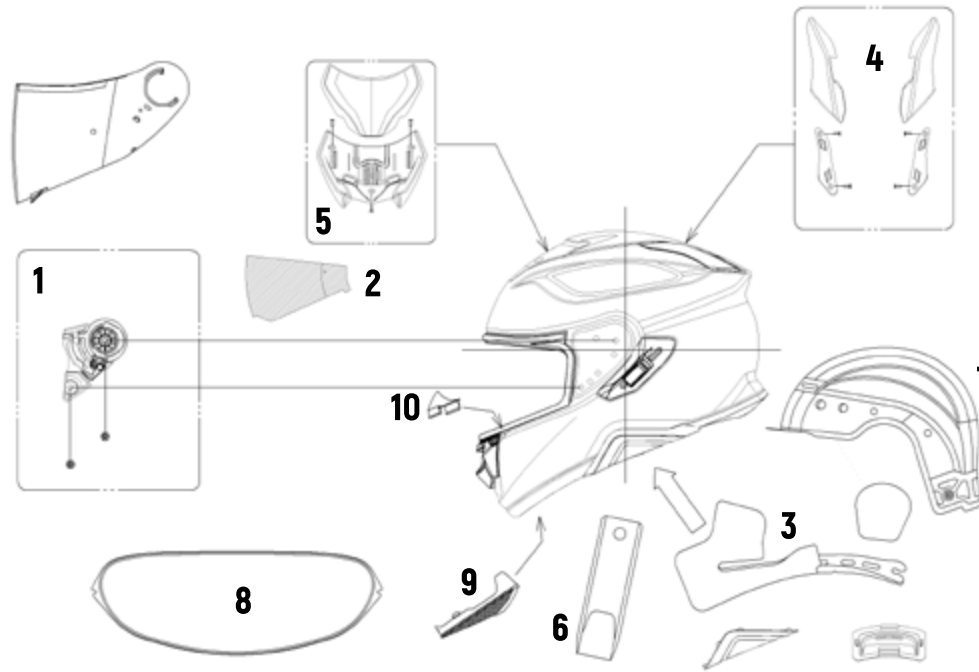
01-70945	QSV-2 SUN VISOR
01-70946	QSV-2 SUN VISOR HD YELLOW
01-71017	V-440 VISOR BLACK (CJ-2SP SHIELD NOT INCLUDED)
01-71018	V-440 VISOR WHITE (CJ-2SP SHIELD NOT INCLUDED)

OTHERS

01-70878	SHOEI SERVICE TOOL
01-71199	MICRO RATCHET RUBBER COVER 2
01-70787	NEOTEC II/GT-AIR II/J-CRUISE II BATTERY SPACE COVER
01-70788	NEOTEC II/GT-AIR II/J-CRUISE II INTERCOM BASE COVER (R&L)
01-70107	QUICK RELEASE E SCREW SET (4)



GT-AIR II



GT-AIR II

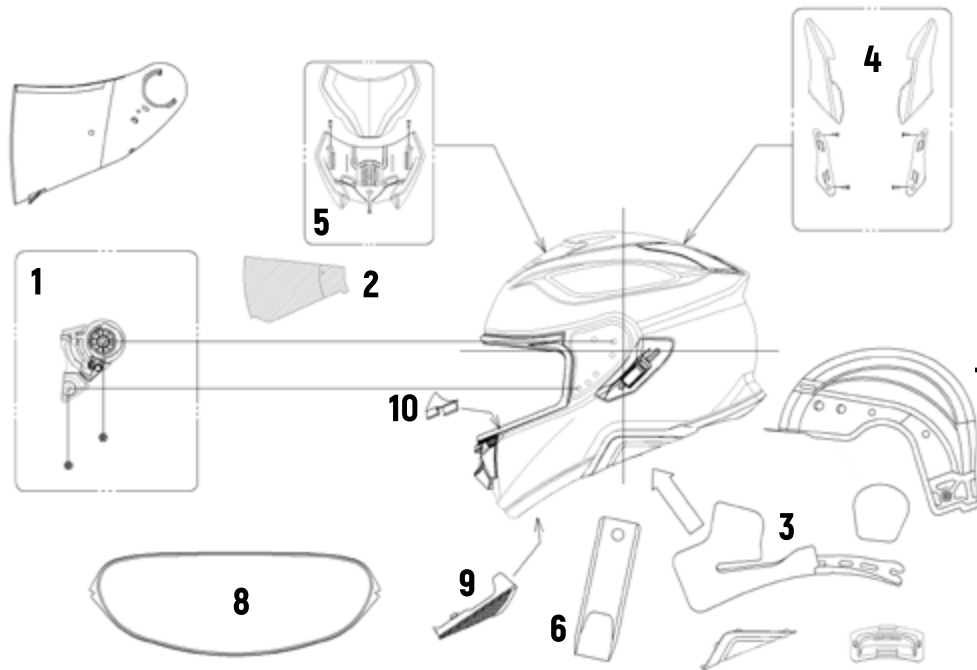
1	
01-70947	CNS-1 Base plate set (R&L, 4 screws)
01-70948	CNS-1 Base plate (R&L)

2	
01-70945	QSV-2 Sun visor
01-70946	QSV-2 Sun visor HD yellow

3	
01-70962	Type-N Cheek pad 31MM (set R&L)
01-70963	Type-N Cheek pad 35MM (set R&L)
01-70964	Type-N Cheek pad 39MM (set R&L)

4	
01-70965	Top Outlet black
01-70966	Top Outlet brilliant yellow
01-70967	Top Outlet Light silver
01-70968	Top Outlet matte black
01-70969	Top Outlet matte blue met
01-70970	Top Outlet matte deep grey
01-70971	Top Outlet white

5	
01-70972	Upper air int black
01-70973	Upper air int black/black
01-70974	Upper air int brilliant yellow
01-70975	Upper air int Light silver
01-70976	Upper air int MT. black/black
01-70977	Upper air int matte black
01-70978	Upper air int matte blue met
01-70979	Upper air int matte deep grey
01-70980	Upper air int white



GT-AIR II

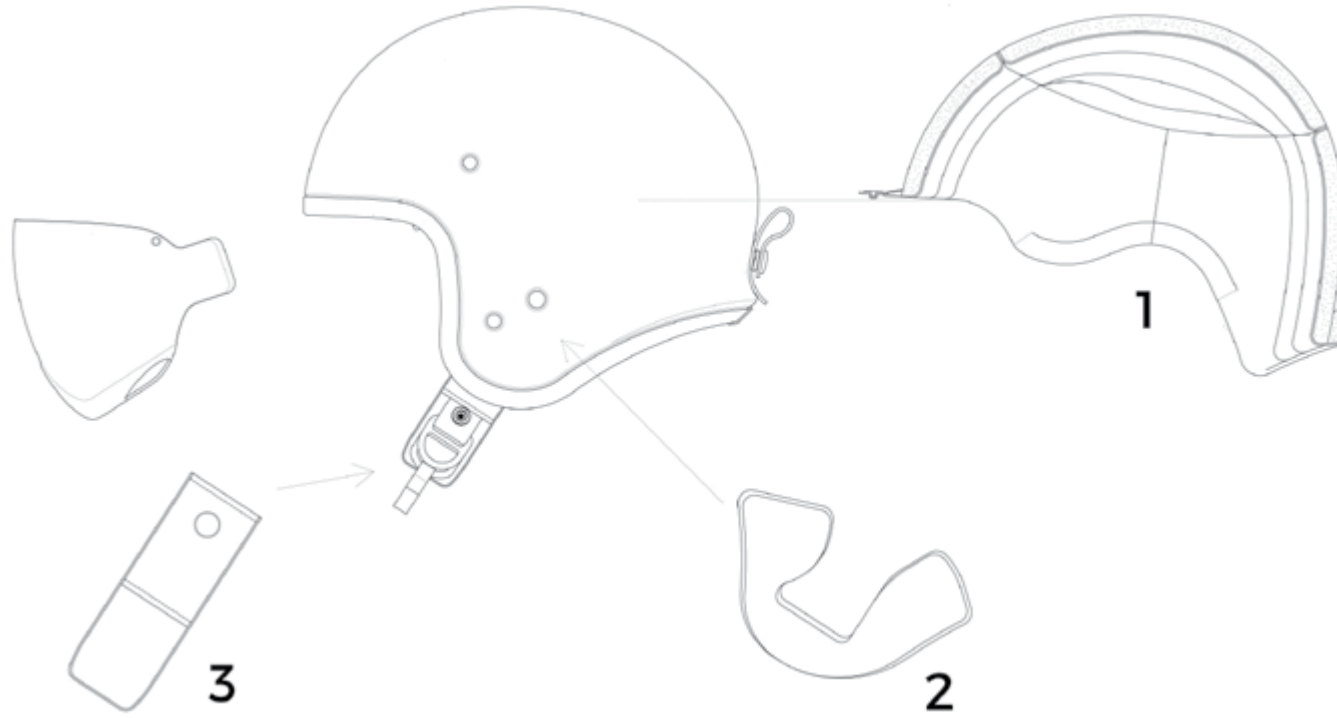
6	
01-70949	Chinstrap cover

8	
01-70556	Pinlock EVO clear

7	
01-70950	Type-N cent. pad L13 (L OPT)
01-70951	Type-N cent. pad L5 (L OPT)
01-70952	Type-N cent. pad L9 (L STD)
01-70953	Type-N cent. pad M13 (M OPT)
01-70954	Type-N cent. pad M5 (M OPT)
01-70955	Type-N cent. pad M9 (M STD)
01-70956	Type-N cent. pad S13 (S OPT)
01-70957	Type-N cent. pad S5 (S OPT)
01-70958	Type-N cent. pad S9 (S STD)
01-70959	Type-N cent. pad XL13 (XL, XXL)
01-70960	Type-N cent. pad XL5 (XXL STD)
01-70961	Type-N cent. pad XL9 (XL STD)

9	
01-70981	Chin Curtain

10	
01-70200	Breathguard



J.O

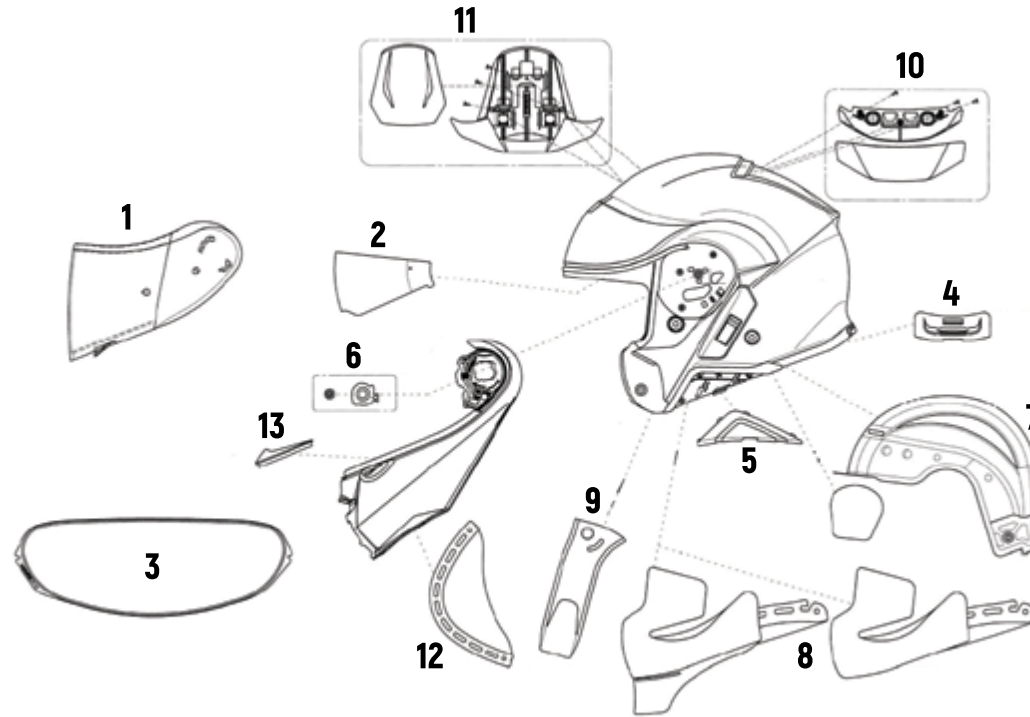
1	
01-70921	J · O CENTER PAD S17 (XS, S OPTIONAL)
01-70922	J · O CENTER PAD S13 (XS STANDARD, S OPTIONAL)
01-70923	J · O CENTER PAD S9 (S STANDARD, XS OPTIONAL)
01-70924	J · O CENTER PAD S5 (XS, S OPTIONAL)
01-70925	J · O CENTER PAD M13 (M OPTIONAL)
01-70926	J · O CENTER PAD M9 (M STANDARD)
01-70927	J · O CENTER PAD M5 (M OPTIONAL)
01-70928	J · O CENTER PAD L13 (L OPTIONAL)
01-70929	J · O CENTER PAD L9 (L STANDARD)
01-70930	J · O CENTER PAD L5 (L OPTIONAL)
01-70931	J · O CENTER PAD XL13 (XL, XXL OPTIONAL)
01-70932	J · O CENTER PAD XL9 (XL STANDARD, XXL OPTIONAL)
01-70933	J · O CENTER PAD XL5 (XXL STANDARD, XL OPTIONAL)

2	
01-70934	J · O CHEEK PAD 31MM (SET R&L)
01-70935	J · O CHEEK PAD 35MM (SET R&L)
01-70936	J · O CHEEK PAD 39MM (SET R&L)
01-70937	J · O CHEEK PAD 43MM (SET R&L)

3	
01-70938	J · O CHINSTRAP COVER (SET L&R)



NEOTECH II



NEOTEC II

1	
01-70785	CNS-3 Shield With Pins Clear

2	
01-70332	QSV-1 Sun Visor High Dark Smoke
01-70786	QSV-1 Sun Visor High Def Yellow

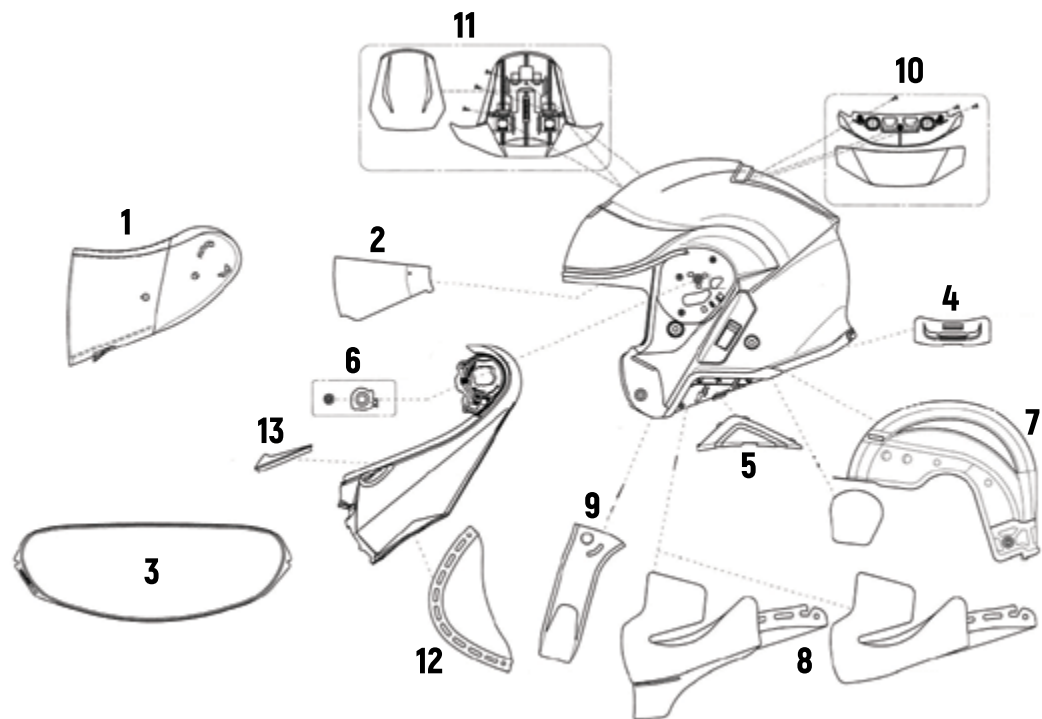
3	
01-70556	Pinlock Evo Lens

4	
01-70787	Battery Space Cover

5	
01-70788	Intercom Base Cover (R&L)

6	
01-70789	Face CVR Screw/Wash Set (R&L)

7	
01-70790	Center Pad L13 (L Optional)
01-70791	Center Pad L5 (L Optional)
01-70792	Center Pad L9 (L Std)
01-70793	Center Pad M13 (M Optional)
01-70794	Center Pad M5 (M Optional)
01-70795	Center Pad M9 (M Std)
01-70796	Center Pad S13 (S Optional)
01-70797	Center Pad S5 (S Optional)
01-70798	Center Pad S9 (S Std)
01-70799	Center Pad XI13 (XI, Xxl Optional)
01-70800	Center Pad XI5 (Xxl Std/XI Optional)
01-70801	Center Pad XI9 (XI Std)
01-70802	Center Pad Xs13 (Xs Optional)
01-70803	Center Pad Xs5 (Xs Optional)
01-70804	Center Pad Xs9 (Xs Std)



NEOTEC II

8	
01-70805	Cheek Pad 31 (W/Noise Isolator)
01-70806	Cheek Pad 35 (W/Noise Isolator)
01-70807	Cheek Pad 39 (W/Noise Isolator)
01-70808	Cheek Pad 31 (W/O Noise Isolator)
01-70809	Cheek Pad 35 (W/O Noise Isolator)
01-70810	Cheek Pad 39 (W/O Noise Isolator)

9	
01-70811	Chinstrap Cover

10	
01-70812	Center Pad S5 (S Optional)
01-70813	Center Pad S9 (S Std)
01-70814	Center Pad XI13 (XI, Xxl Optional)
01-70815	Center Pad XI5 (Xxl Std/XI Optional)
01-70816	Center Pad XI9 (XI Std)
01-70817	Center Pad Xs13 (Xs Optional)
01-70818	Center Pad Xs5 (Xs Optional)
01-70819	Center Pad Xs9 (Xs Std)

11	
01-70820	Upper Air Intake Met Anthracite
01-70821	Upper Air Intake Black
01-70822	Upper Air Intake Light Silver
01-70823	Upper Air Intake Matte Blue Met
01-70824	Upper Air Intake Matte Black
01-70825	Upper Air Intake Matte Deep Grey
01-70982	Upper Air Intake Matte Light Silver
01-70826	Upper Air Intake White
01-70827	Upper Air Intake Wine Red

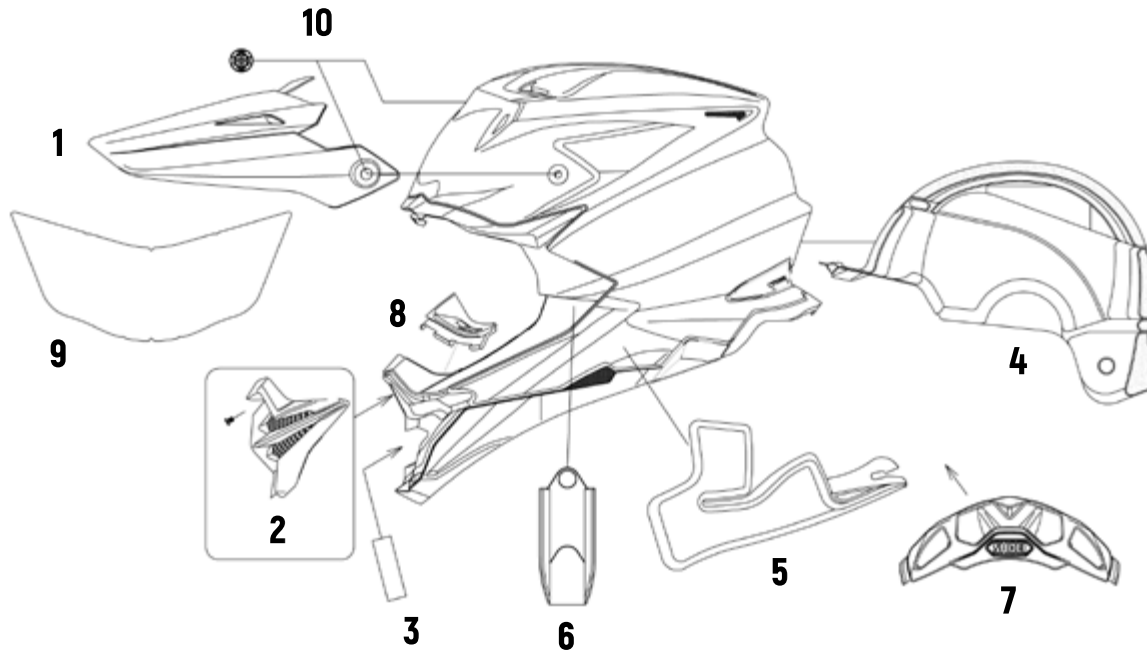
12	
01-70828	Chin Curtain H (Leather)
01-70829	Chin Curtain I (Mesh)

13	
01-70200	Breath Guard F

01-70878	Intercom Covers Service Tool
----------	------------------------------



VFX-EVO

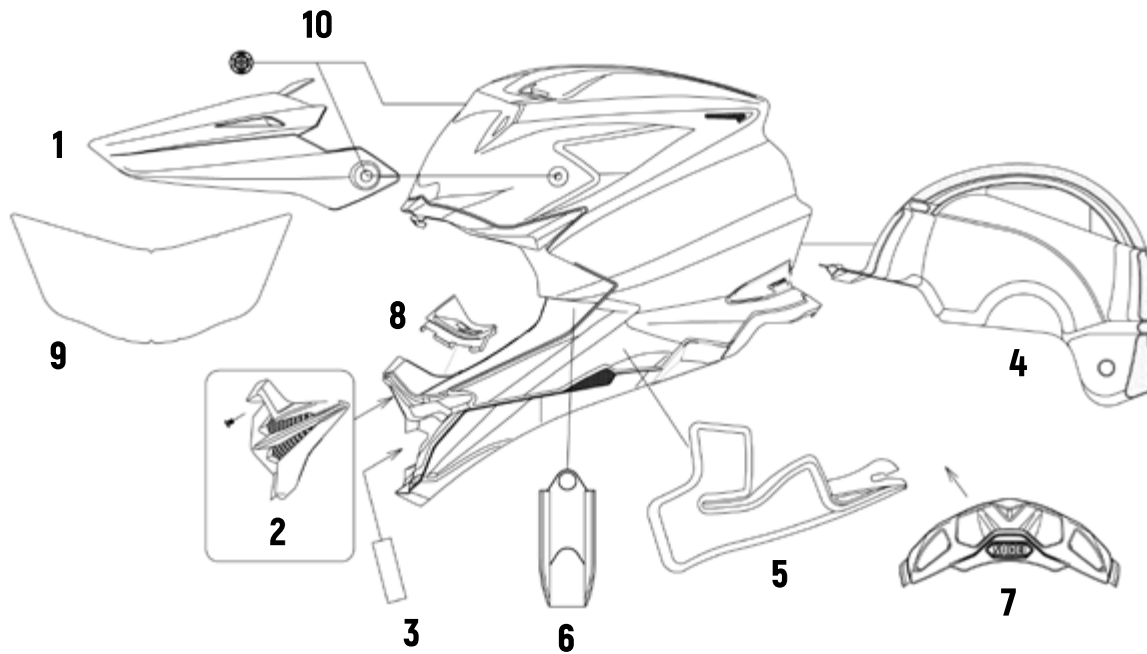


VFX-EVO

1	
01-70831	Visor Black
01-70832	Visor Blazon TC-1
01-70833	Visor Blazon TC-6
01-70834	Visor Blazon TC-6
01-70983	Visor Brayton
01-70835	Visor Glaive TC-1
01-70836	Visor Glaive TC-2
01-70837	Visor Glaive TC-5
01-70838	Visor Glaive TC-8
01-70839	Visor Matte Black
01-70984	Visor Paintable
01-70840	Visor White
01-70841	Visor Zinger TC-1
01-70842	Visor Zinger TC-2
01-70843	Visor Zinger TC-10
01-70872	Visor Grant 3 TC-1
01-70873	Visor Grant 3 TC-2
01-70874	Visor Grant 3 TC-3

2	
01-70844	Mouthpiece Black
01-70845	Mouthpiece Deep Grey
01-70846	Mouthpiece Light Silver
01-70847	Mouthpiece Luminescent Yel
01-70848	Mouthpiece Matte Notic. Blue
01-70849	Mouthpiece Matte Black
01-70850	Mouthpiece Matte Shine Red
01-70985	Mouthpiece Shine Red
01-70851	Mouthpiece Notic. Blue
01-70852	Mouthpiece White

3	
01-70853	Mouthpiece Filter



VFX-EVO

4	
01-70854	Center Pad S17 (XS, S Optional)
01-70855	Center Pad S13 (XS Std, S Optional)
01-70856	Center Pad S5 (XS, S, Optional)
01-70857	Center Pad S9 (S Std, XS Optional)
01-70858	Center Pad M13 (M Optional)
01-70859	Center Pad M5 (M Optional)
01-70860	Center Pad M9 (M Std)
01-70861	Center Pad L13 (L Optional)
01-70862	Center Pad L9 (L Std)
01-70863	Center Pad L5 (L Optional)
01-70875	Center Pad XL13 (XL, XXL Optional)
01-70876	Center Pad XL9 (XI Std, Xxl Optional)
01-70877	Center Pad XL5 (Xxl Std, XI Optional)

5	
01-70864	Cheek Pad 31 (XXL Std)
01-70865	Cheek Pad 35 (S,M,L,XL Std)
01-70866	Cheek Pad 39 XS Std)
01-70867	Cheek Pad 43 (XS-XXL Optional)

6	
01-70868	Chin Strap Cover

7	
01-70869	Neck Outlet

8	
01-70870	Mud Guard Black
01-70871	Mud Guard White

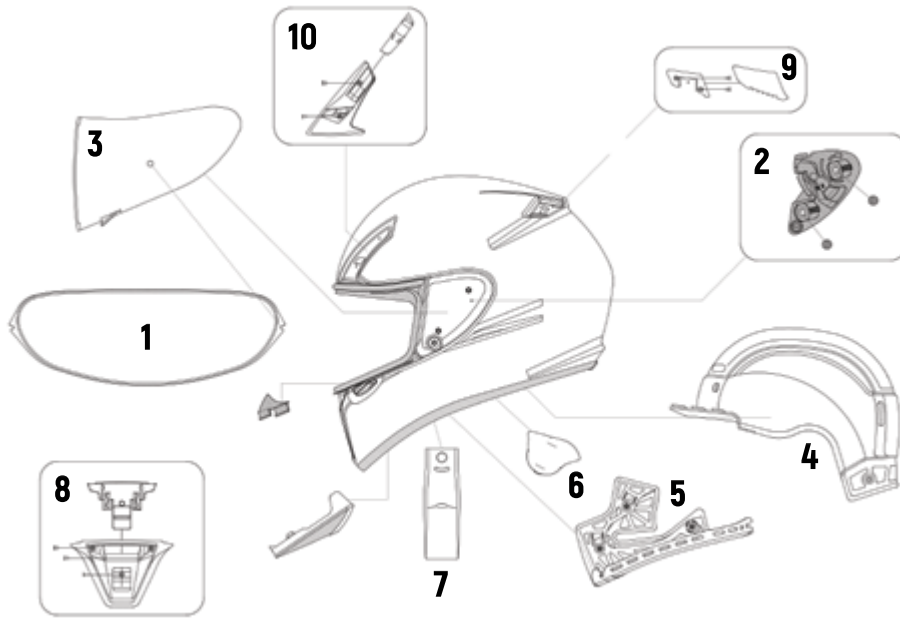
9	
01-70097	Visor Sticker

10	
01-70078	Visor Screw Set Smoke
01-70079	Visor Screw Set White

OTHER	
01-70830	Meds Sticker



RF-SR



RF-SR

1	
01-70470	CWR-1 Pinlock Shield Clear
01-70471	CWR-1 Pinlock Shield Mellow Smoke
01-70472	CWR-1 Pinlock Shield Dark Smoke
01-70476	CWR-1 Pinlock Shield Hi-Def Orange
01-70477	CWR-1 Pinlock Shield Hi-Def Yellow
01-70474	CWR-1 Pinlock Shield Spectra Blue
01-70473	CWR-1 Pinlock Shield Spectra Chrome
01-70475	CWR-1 Pinlock Shield Gold
01-70478	CWR-1 Pinlock Shield PHOTOCROMIC
01-70556	CWR-1 Pinlock EVO Replacement Lens Clear

2	
01-70494	CWR-1 QRSA Base Set
01-70495	CWR-1 QRSA Base Plates

3	
01-70479	CWR-F Pinlock Racing Shield Clear
01-70480	CWR-F Pinlock Racing Shield Dark Smoke
01-70481	CWR-F Pinlock Racing Shield Mellow Smoke
01-70482	CWR-F Pinlock Racing Shield Hi-Def Yellow

4	
01-70761	RF-SR Type-K Center Pad L13
01-70762	RF-SR Type-K Center Pad L5
01-70763	RF-SR Type-K Center Pad L9
01-70764	RF-SR Type-K Center Pad M13
01-70765	RF-SR Type-K Center Pad M5
01-70766	RF-SR Type-K Center Pad M9
01-70767	RF-SR Type-K Center Pad S13
01-70768	RF-SR Type-K Center Pad S17
01-70769	RF-SR Type-K Center Pad S5
01-70770	RF-SR Type-K Center Pad S9
01-70771	RF-SR Type-K Center Pad XL13
01-70772	RF-SR Type-K Center Pad XL5
01-70773	RF-SR Type-K Center Pad XL9

5	
01-70774	RF-SR Cheek Pad 31
01-70775	RF-SR Cheek Pad 35
01-70776	RF-SR Cheek Pad 39
01-70777	RF-SR Cheek Pad 43

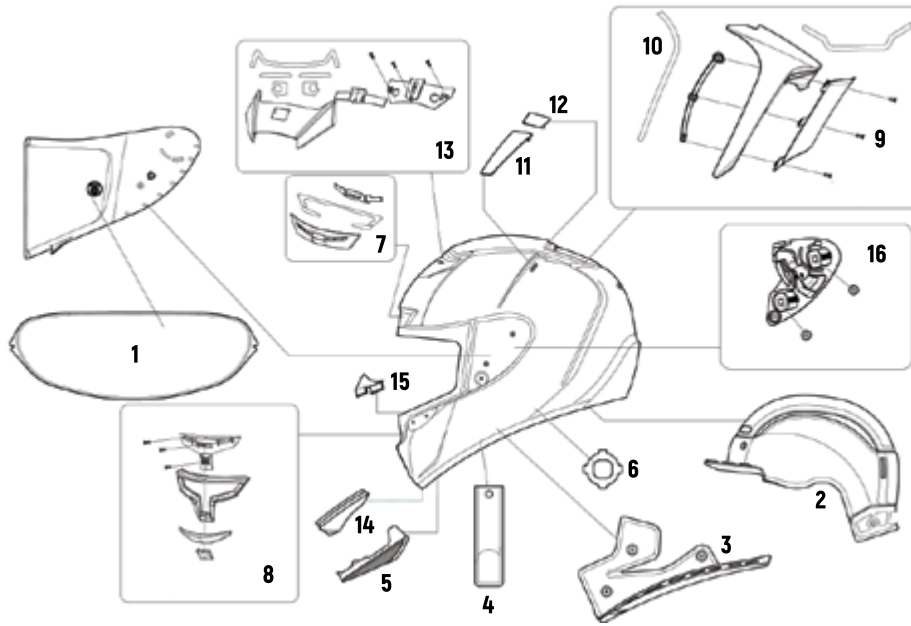
6	
01-70728	Ear Pad D

7	
01-70778	RF-SR Chinstrap Cover

8	
01-70779	RF-SR Lower Air Intake Black

9	
01-70780	RF-SR Top Air Outlet Black

10	
01-70781	RF-SR Upper Air Intake Black



X-FOURTEEN

2	
01-70688	Type-I center pad set S (std=XS,S)
01-70689	Type-I center pad set m (std=m)
01-70690	Type-I center pad set l (std=l)
01-70691	Type-I center pad set xl (std=xl)
01-70692	Type-I center pad set xxl (std=xxl)
01-70693	Type-I center pad top xs-m s13
01-70694	Type-I center pad top xs-m s9 (std=xs-m)
01-70695	Type-I center pad top l-xxl l13
01-70696	Type-I center pad top l-xxl l9 (std=l-xxl)
01-70697	Type-I center pad front s5
01-70698	Type-I center pad front s9 (std=xs, s, m)
01-70699	Type-I center pad front s13
01-70700	Type-I center pad front l5 (std=xxl)
01-70701	Type-I center pad front l9 (std=l, xl)
01-70702	Type-I center pad front l13
01-70703	Type-I neck pad s9 (std=xs, s)
01-70704	Type-I neck pad s13
01-70705	Type-I neck pad m9 (std=m)
01-70706	Type-I neck pad m13
01-70707	Type-I neck pad l9 (std=l)
01-70708	Type-I neck pad l13
01-70709	Type-I neck pad xl9 (std=xl, xxl)
01-70710	Type-I neck pad xl13
01-70711	Type-I center pad Rear s5

2	
01-70712	Type-I center pad Rear s9 (std=xs, s, m)
01-70713	Type-I center pad Rear s13
01-70714	Type-I center pad Rear l5 (std=xxl)
01-70715	Type-I center pad Rear l9 (std=l, xl)
01-70716	Type-I center pad Rear l13
01-70717	Type-I center pad side s5 (l&r)
01-70718	Type-I center pad side s9 (l&r) (std=xs, s, m)
01-70719	Type-I center pad side s13 (l&r)
01-70720	Type-I center pad side l5 (l&r) (std=xxl)
01-70721	Type-I center pad side l9 (l&r) (std=l, xl)
01-70722	Type-I center pad side l13 (l&r)

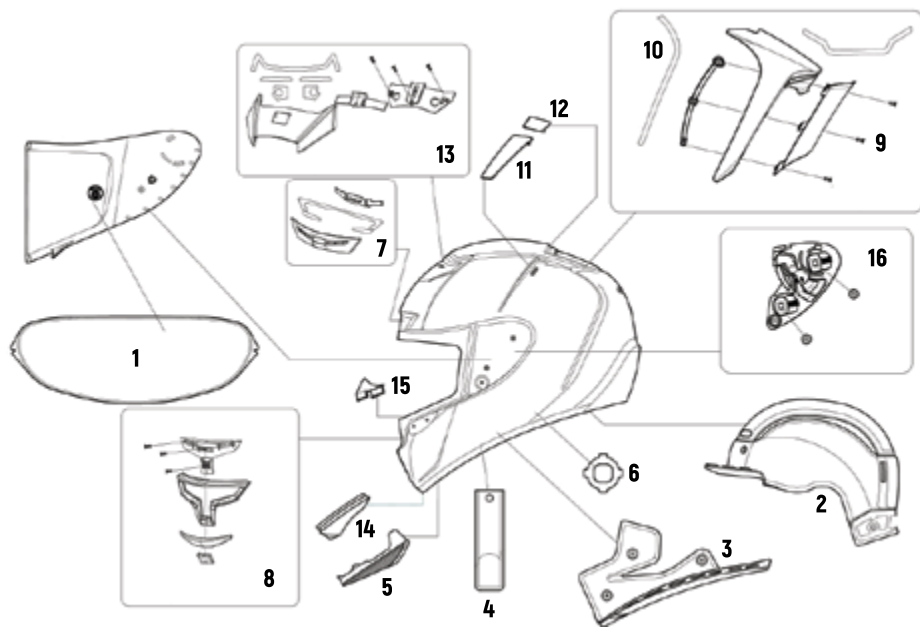
3	
01-70723	Type-I cheek pad set 31mm
01-70724	Type-I cheek pad set 35mm
01-70725	Type-I cheek pad set 39mm
01-70726	Type-I cheek pad set 43mm
01-70727	Chin strap cover (l&r)

5	
01-70148	Chin Curtain D

6	
01-70728	Ear pad d (pair)

7	
01-70729	Front air intake black
01-70730	Front air intake luminescent red (marquez4 TC-1)
01-70731	Front air intake matte black
01-70732	Front air intake white
01-70879	Front air Intake Blue Lawson TC-1
01-70880	Front air Intake Matte White (Kagayama5 TC-5)
01-70986	Front air intake brillant orange (POWER RUSH TC-8)
01-70987	Front air intake luminous white (MARQUEZ 4 TC-6)
01-70988	Front air intake matte luminescent red (MARQUEZ 5 TC-1)

8	
01-70733	Lower air intake black
01-70734	Lower air intake luminous white (bradley3 TC-1)
01-70735	Lower air intake matte black



8	
01-70736	Lower air intake white
01-70881	Lower Air Intake Matte White (Kagayama5 TC-5)
01-70989	Lower air intake brilliant orange (POWER RUSH TC-8)
01-70990	Lower air intake luminescent red (DAIJIRO TC-1)

9	
01-70737	Rear flap narrow (optional equipment)
01-70738	Rear flap wide (standard equipment)

10	
01-70739	Rear stabilizer assail TC-1
01-70740	Rear stabilizer assail TC-2
01-70741	Rear stabilizer assail TC-10
01-70742	Rear stabilizer black
01-70743	Rear stabilizer bradley3 TC-1
01-70744	Rear stabilizer matte black
01-70745	Rear stabilizer marquez4 TC-1
01-70746	Rear stabilizer white
01-70882	Rear Stabilizer Assail TC-5
01-70883	Rear Stabilizer Kagayama5 TC-2
01-70884	Rear Stabilizer Kagayama5 TC-5
01-70885	Rear Stabilizer Laverty TC-4
01-70886	Rear Stabilizer Lawson TC-1
01-70887	Rear Stabilizer Marquez Motegi 2 TC-1
01-70888	Rear Stabilizer Marquez4 TC-6
01-70889	Rear Stabilizer Rainey TC-1
01-70991	Rear stabilizer BRINK TC-1

10	
01-70992	Rear stabilizer BRINK TC-2
01-70993	Rear stabilizer BRINK TC-5
01-70994	Rear stabilizer BRINK TC-10
01-70995	Rear stabilizer DAIJIRO TC-1
01-70996	Rear stabilizer MARQUEZ BLACK CONCEPT TC-1
01-70997	Rear stabilizer MARQUEZ 5 TC-1
01-70998	Rear stabilizer POWER RUSH TC-8

11	
01-70747	Side air outlet (1 pair, l&r)

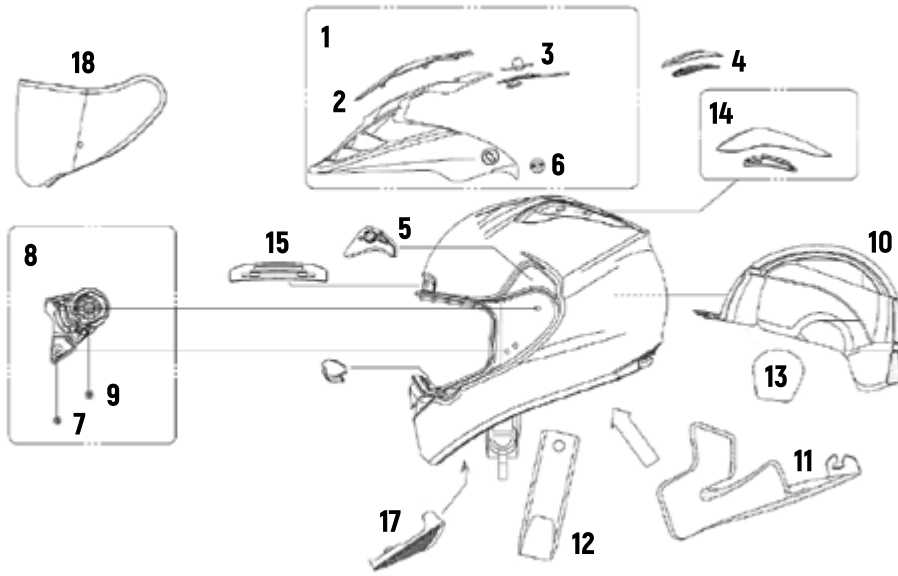
12	
01-70748	Top air outlet (qty-1)

13	
01-70749	Upper air intake assail TC-1
01-70750	Upper air intake assail TC-2
01-70751	Upper air intake assail TC-10
01-70752	Upper air intake black
01-70753	Upper air intake bradley3 TC-1
01-70754	Upper air intake matte black
01-70755	Upper air intake marquez4 TC-1
01-70890	Upper Air Intake Assail TC-5
01-70891	Upper Air Intake Kagayama5 TC-2
01-70892	Upper Air Intake Kagayama5 TC-5
01-70893	Upper Air Intake Laverty TC-4
01-70894	Upper Air Intake Marquez Motegi 2 TC-1
01-70895	Upper Air Intake Marquez4 TC-6
01-70756	Upper air intake white
01-70999	Upper air intake TC-1
01-71000	Upper air intake BRINK TC-2
01-71001	Upper air intake BRINK TC-5
01-71002	Upper air intake BRINK TC-10
01-71003	Upper air intake DAIJIRO TC-1
01-71004	Upper air intake MARQUEZ BLACK CONCEPT TC-1
01-71005	Upper air intake MARQUEZ 5 TC-1
01-71006	Upper air intake POWER RUSH TC-8

14	
01-70757	Lower air spoiler

15	
01-70759	Breath guard j

16	
01-70495	Quick Release E Base Plate Set
01-70494	Quick Release E Base Plate Set Full



HORNET X2

1	
01-70576	Visor Black
01-70580	Visor Light Silver
01-70578	Visor Matte Black
01-70579	Visor Matte Deep Grey
01-70581	Visor Seeker TC-1
01-70582	Visor Seeker TC-6
01-70583	Visor Seeker TC-8
01-70577	Visor White
01-70896	Visor Navigate TC-3
01-70897	Visor Navigate TC-5
01-70898	Visor Navigate TC-8

2	
01-70585	Visor Cover Black
01-70589	Visor Cover Light Silver
01-70587	Visor Cover Matte Black
01-70588	Visor Cover Matte Deep Grey
01-70586	Visor Cover White

3	
01-70584	Visor Vent Black

4	
01-70590	Visor Top Base Black
01-70594	Visor Top Base Light Silver
01-70592	Visor Top Base Matte Black
01-70593	Visor Top Base Matte Deep Grey
01-70591	Visor Top Base White

5	
01-70595	Visor Side Base Black

6	
01-70596	Visor Screw Qty 2

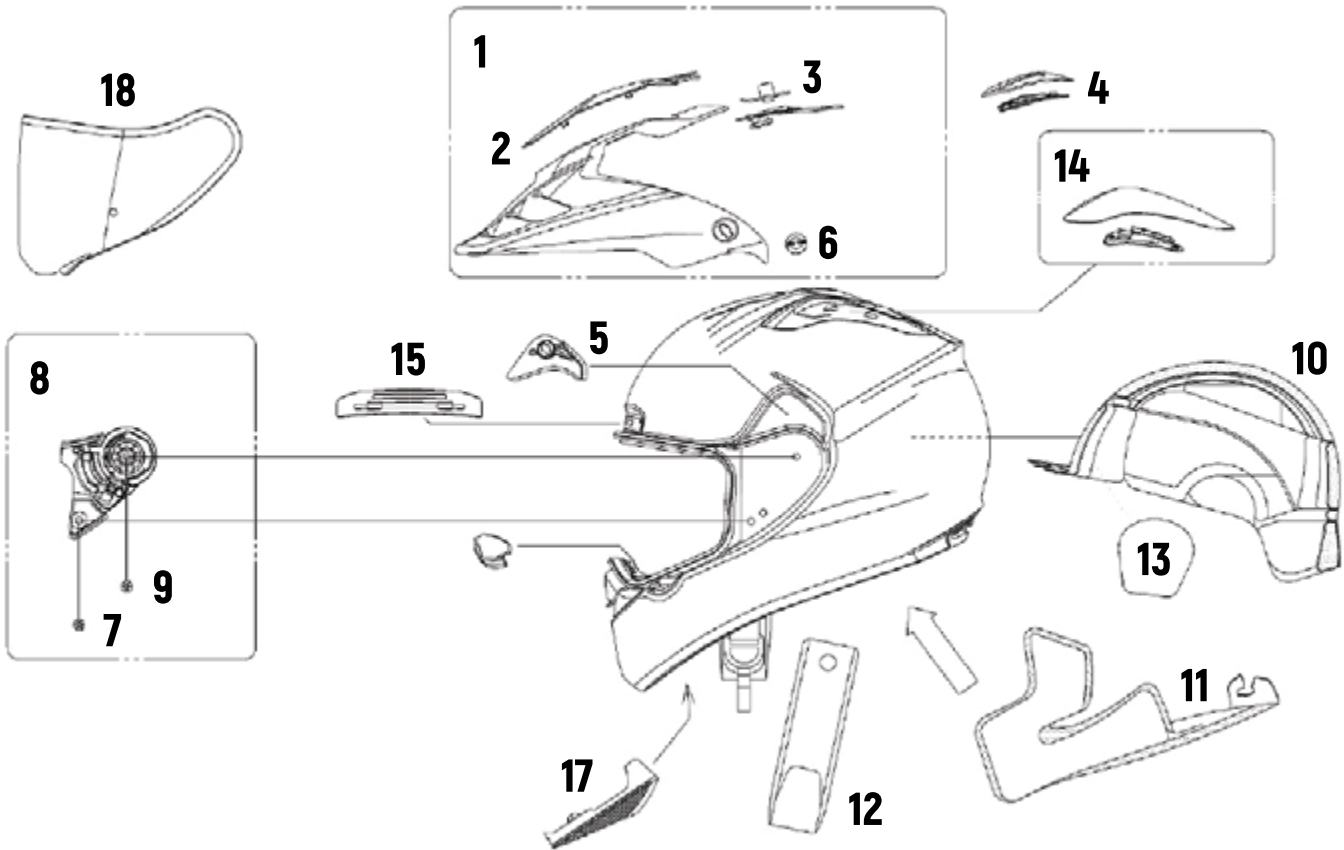
7	
01-70107	Qrsa Screw Qty 4

8	
01-70422	Cns-1 Base Plate Set

9	
01-70423	Cns-1 Base Plate

10	
01-70568	Center Pad S17 (Xs Optional, S Optional)
01-70569	Center Pad S13 (Xs Standard, S Optional)
01-70570	Center Pad S9 (Xs Optional, S Standard)
01-70606	Center Pad S5 (Xs Optional, S Optional)
01-70607	Center Pad M13 (M Optional)
01-70571	Center Pad M9 (M Standard)
01-70608	Center Pad M5 (M Optional)
01-70609	Center Pad L13 (L Optional)
01-70572	Center Pad L9 (L Standard)
01-70610	Center Pad L5 (L Optional)
01-70611	Center Pad XI13 (XI Optional, Xxl Optional)
01-70573	Center Pad XI9 (XI Standard, Xxl Optional)
01-70574	Center Pad XI5 (XI Optional, Xxl Standard)

11	
01-70567	Cheek Pad 43
01-70566	Cheek Pad 39
01-70565	Cheek Pad 35
01-70564	Cheek Pad 31



HORNET X2

12	
01-70575	Chin Strap Cover

13	
01-70513	Ear Pad C

14	
01-70597	Top Air Outlet Black
01-70601	Top Air Outlet Light Silver
01-70599	Top Air Outlet Matte Black
01-70600	Top Air Outlet Matte Deep Grey
01-70598	Top Air Outlet White

15	
01-70604	Front Air Intake Light Silver
01-70602	Front Air Intake Matte Black
01-70603	Front Air Intake Matte Deep Grey

16	
01-70605	Breath Guard H

17	
01-70148	Chin Curtain D

18	
01-70560	Cns-2 Pinlock Evo Ins.

5 YEAR WARRANTY

All SHOEI® helmets are backed by a limited warranty that covers material and craftsmanship defects for five years from the date of purchase, or seven years from the date of manufacture (whichever comes first).

IMPORTANT WARRANTY DISCLAIMER:

SHOEI® warrants to customers only new helmets purchased from authorized SHOEI® dealers in their own country. SHOEI® does not warrant SHOEI® helmets purchased from a country different from the customer's own country of residence, or helmets purchased in one country for use in another country. Regulatory standards and certification requirements for helmets vary from one country to the next. Helmets purchased from outside of the customer's own country may not have been designed with the features and specs intended for buyers in the customer's own country. Each country's standards are an important part of what makes SHOEI® a world leader in premium motorcycle helmet manufacturing. SHOEI®, on behalf of itself and its dealers, disclaims any obligation to provide warranty service for helmets purchased outside of the country where the helmet is presented for warranty service.

Design: The Medium (themediumcg.com)

Photos: Action & Lifestyle (unless noted): © Garth Milan/The Medium

Product Photos: © SHOEI CO., LTD.

All product and helmet designs, colors, specifications and other details in this catalog are subject to change without notice. Please visit shoei-helmets.com for the most current product information.

Printed in the USA with soy inks.

© 2020 SHOEI SAFETY HELMET CORP. All Rights Reserved.

