

T 158-8P6R33.345 6x6.2

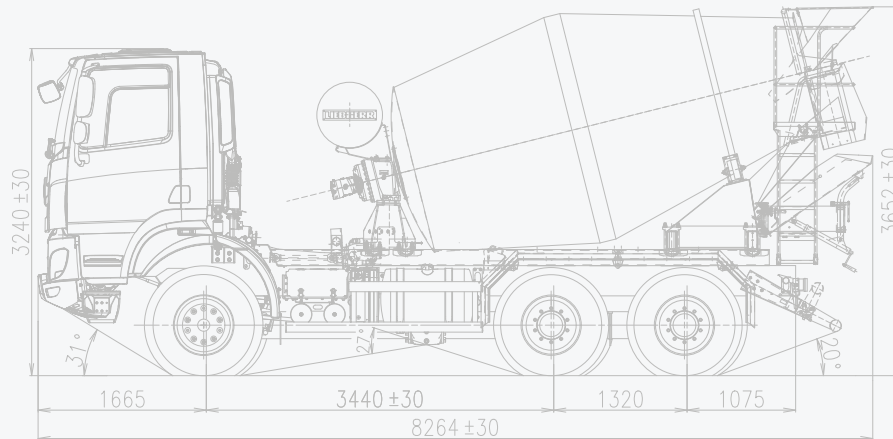
COMMERCIAL



LIEBHERR MOBILE MIXER ON TATRA PHOENIX 6x6 CHASSIS

The TATRA PHOENIX Euro6 combines the unique TATRA chassis with a spacious and comfortable cab, modern PACCAR MX engines and ZF transmissions. Thanks to this, the TATRA PHOENIX trucks can take you further - to the locations inaccessible to other trucks, as well as to higher profits due to economical operation.

Combining the features of the 6x6 driven TATRA PHOENIX Euro6 vehicle with an engageable front wheel drive and Liebherr HTM 604 mobile concrete mixer superstructure, you will get a vehicle with excellent projections for concrete mix transportation within all the construction works. A universal vehicle will effectively cope with traffic on local roads and seamlessly operate in the conditions of those construction sites where no technological roads are available. Combining high-quality LIEBHERR mobile mixing technology and all-wheel-drive TATRA PHOENIX chassis provides builders a reliable solution for the transport of concrete and its high final quality. Thanks to the off-road chassis, the higher total time utilization and hence vehicle productivity is achieved. The unique TATRA chassis design minimizes torsion forces that negatively affect any superstructure. This extends their service life and reduces service costs. Therefore, the total costs of ownership are lower than for vehicles with rigid axles.



UNIVERSAL VEHICLE FOR PAVED ROADS AND OFF-ROAD

HIGH TRANSPORT SPEED EVEN IN OFF-ROAD CONDITIONS

FORDING DEPTH UP TO 800 MM

ECONOMICAL OPERATION

TATRA TAKES YOU FURTHER

tatratrucks.com

TATRA PHOENIX Euro 6



T 158-8P6R33.345 6x6.2

LIEBHERR MOBILE MIXER ON TATRA PHOENIX 6x6 CHASSIS

ENGINE

Type	PACCAR MX-11 Euro 6
No. of cylinders	6
Stroke capacity	10,800 cm ³
Net power	320 kW/1,700 rpm
Net torque	1,900 Nm/1,000-1,450 rpm

SCR, EGR, DPF exhaust gas treatment system. The decompression MX Engine Brake as standard

Optional:

- MX-11 engine, power output 271, 291 kW/1,700 rpm
- MX-13 engine, cylinder capacity 12,900 cm³, power 300, 340, 375 kW/1,450 rpm

TRANSMISSION

Manual / automated, ZF type 16S Ecosplit / AsTronic

Number of speeds

- forward 16
- reverse 2

Hydraulically operated clutch, diam. 1x430 mm.

Optional: intarder

AUXILIARY TRANSMISSION

One-speed, TATRA 1.30 TR, gear ratio 1.28 (optional 1.12 and 1.46)

Optional: Two-speed TATRA 2.30 TRK shiftable at standstill (ratios of 0.94 / 1.44)

FRONT AXLE

Steered, driven with swinging half-axles, switchable, drive, axle differential. Air suspension with bellows, telescopic shock absorbers (optional stabilizer).

REAR AXLES

Driven, with swinging half-axles, axle differential locks, inter-axle differential lock. Air suspension with bellows, combined with coil springs, telescopic shock absorbers and torsion stabilizer at the last axle (optional).

STEERING

Left-hand sided, monoblock.

BRAKES

Four independent brake systems: service, emergency, parking, relief.

TYRES, DISCS

	Front	Rear
Tyres	385/65 R22.5	315/80 R22.5
Discs	22.5x11.5	9.00x22.5

CAB

Over-engine, hydraulically folding, with engine-dependent water heating. Number of seats: 2

Optional: with A/C or independent heater, sleeper cab or a third seat.

FUEL TANK

Steel, 300 to 340 liters + 45-liter AdBlue

WEIGHTS

Curb weight (without superstructure)	10,700 kg
Payload	19,300 kg
Total weight	30,000 kg
Maximum front axle load	9,000 kg
Maximum rear axle load	2x11,500 kg

ELECTRIC EQUIPMENT

Rated voltage	24 V
Batteries	2x12V 180 Ah
Alternator	24 V / 80 A
Preparation for the FMS connector	

FEATURES

Climbing ability at the total weight of 30,000 kg	80 %
Max. speed (with speed limiter)	85 km/h
Turning radius (contour)	19.5±1.0 m

BETONMIX LIEBHERR HTM 604 SUPERSTRUCTURE

Effective drum volume	6 m ³
Geometric drum volume	11 m ³
Water drum volume	6.8 m ³
Superstructure height (from the frame)	2.4 m
Filler height (from the frame)	2.38 m
Superstructure weight	3,360 kg
Superstructure weight incl. engine	3,860 kg

Drum drive fully resistant to the chassis twisting, incl. infinitely adjustable hydraulic pump with servo control, REXROTH hydraulic motor, planetary transmission ZF (P 3301), 24-VDC electrical equipment, oil cooler with temperature control using a thermostat. The hydraulic axial control pump is powered through the propeller shaft from the auxiliary chassis drive (PTO or NMV).

Mixing spirals with 4-mm special high-strength steel with the wear reinforcement.

A 500-liter water tank with pneumatically controlled delivery system with isolation valves incl. hoses to wash and clean the drum.

TATRA PHOENIX EURO6

tatratrucks.com



TATRA TRUCKS a.s.

Areál Tatry 1450/1, 742 21 Kopřivnice, Czech Republic

tel.: +420 556 494 332, fax: +420 556 494 304, e-mail: ou@tatra.cz