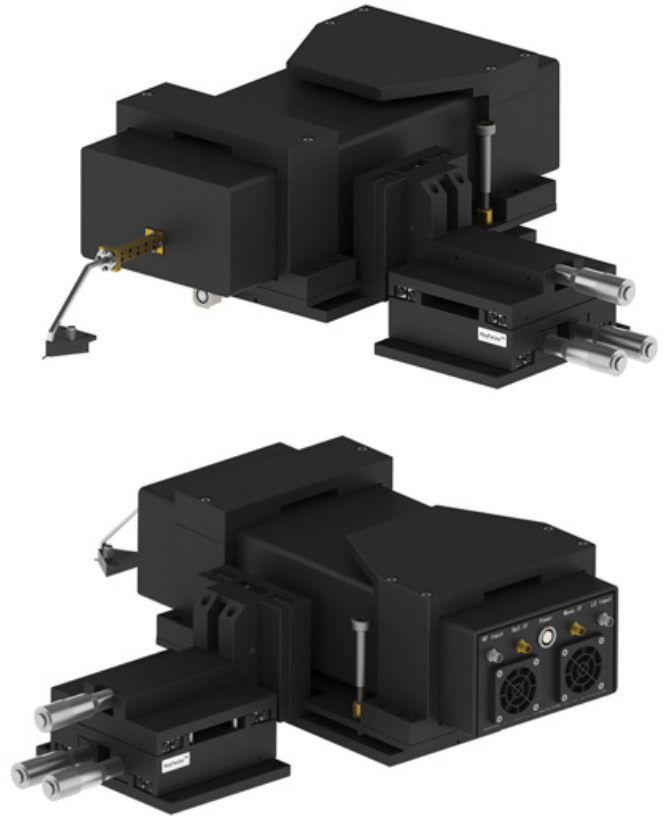


RFP100-mmW

Ultra stable micropositioner for RF, mmW, load pull probing.



Application

High-performance RF, multi-contact/mixed signal probing High-performance versatile wafer-level reliability probing
Single-ended broadband/mmWave, THz, source/load pull, RF noise probing.

Features

- Stable and rigid – Highly stable and rigid structure, ideal for RF and mmW probing.
- Linear motion – Large cross roller bearing glides ensure linear motion.
- Backlash free – Spring loaded X-Y-Z, stable and backlash free, probes won't drift during tests.
- Vibration Isolation – All micrometer heads located at the rear of the micropostioner, minimizes vibration from hands, ideal to protect expensive RF/microwave probes.

Specifications

Accuracy	3 μ m
X-Y-Z Travel Range	25mm*25mm*10mm
TPI	50
Mounting	Magnetic - W/O On/Off function.
Dimensions	255mm*192mm*155mm (W*D*H)

Specifications and designs are subject to change without notice.

RFP100-MMW

Ordering Information

RFP100-mmW

RFP100 micropositioner with bolt down mounting.

Probes

DC~1100GHz probes available upon request.

Calibration Substrates

For calibration of probes to test and measurement instruments.

All Rights Reserved. KeyFactor Systems, Inc.

KeyFactor Systems, Inc.

www.keyfactorsystems.com

sales@keyfactorsystems.com

technical-support@keyfactorsystems.com

U.S.

Add: 8825 53 AVE Elmhurst, New York, United States.

Tel: +1(347) 994-9951

China

Add: 5th FL, Sohovark, Industrial Rd. South, SSL, Dongguan.

Tel: +86(769)2223-8503

Fax: +86(769)2223-0701