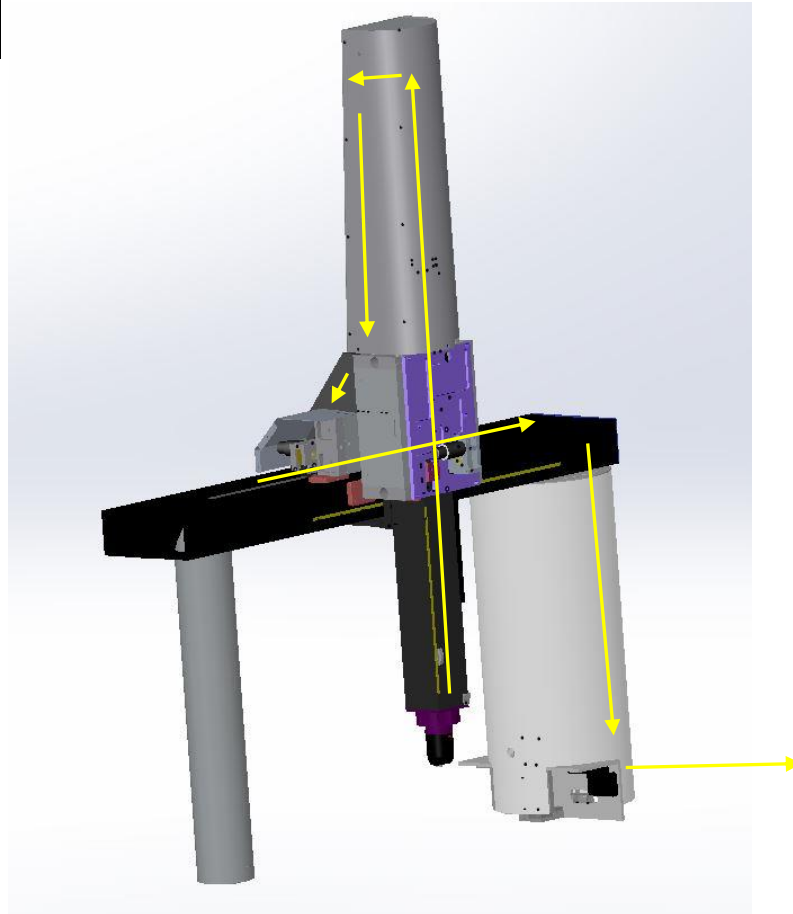


Description:
Wiring schematic

M/c type:
Axiom Too

Author: Chris Walkley

Date: 1st March 2017



Probe Wiring

Non-motorised heads

Cable terminates with 9-way D type

Manual unit

Pin 1 – LED Cathode
Pin 3 – LED Anode
Pin 4 – Probe Circuit
Pin 5 – Probe Circuit

CNC unit

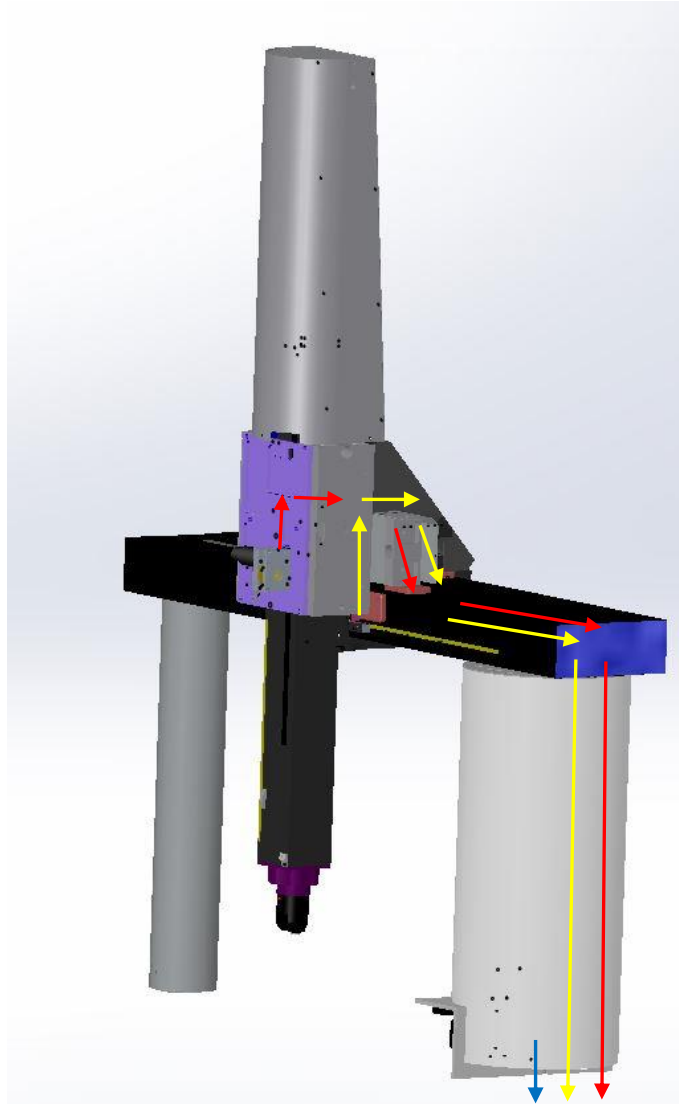
Pin 3 LED Cathode
Pin 4 LED Anode
Pin 5 Probe Circuit
Pin 9 Probe Circuit
Pin 4 linked to Pin 8

Motorised Head




Cable terminates with 15-way D type.

		Tuchel Ref
Pin 1 Ground	Red	D
Pin 2 linked to Pin 4 (0v)	Grey	M
Pin 3 A axis Feedback	Orange	G
Pin 5 Motor / Probe	Pink	K
Pin 6 DC Ref 12v	Brown	C
Pin 7 B axis Motor/Probe	Purple	A
Pin 8 LED & Datum	Turquoise	J
Pin 10 Locking Motor 8v DC	White	H
Pin 11 A axis Motor 12v DC	Blue	F
Pin 12 A axis Motor 12v DC	Green	L
Pin 14 B axis Feedback	Yellow	E
Pin 15 B axis Motor Probe	Black	B
Shell Screen		N,O

The PHC10 is powered from the a.c. mains supply via an IEC 320 connector. The operating voltages of the unit are as follows: 100 - 240 V ac +10%, -15% 47 - 66 Hz 30 W maximum



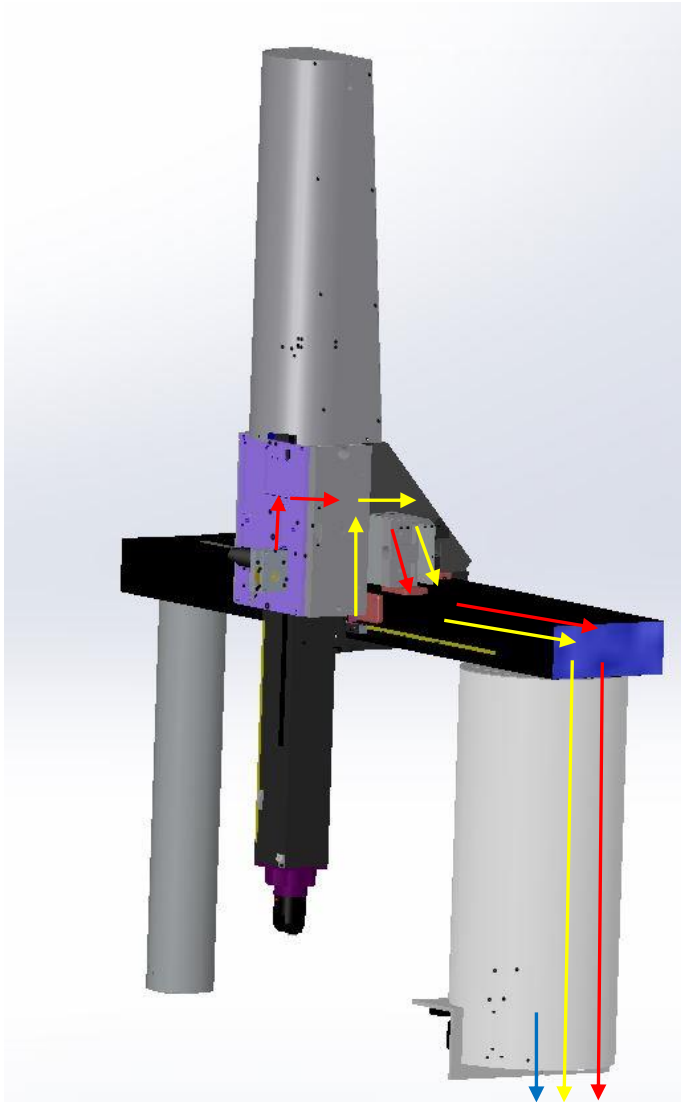
Encoder Wiring

-  X axis
-  Y axis
-  Z axis

Renishaw RGH24

5 V \pm 5%, 120 mA (unterminated)
 Terminates with 15 way HD D type

Pin 1	A signal	Green
Pin 2	B signal	Blue
Pin 4	Ref mark	Pink
Pin 6	NA signal	Yellow
Pin 7	NB signal	Red
Pin 9	Ref mark	Grey
Pin 12	5v	Brown
Pin 13	0v	White, and inner screen



Motor Wiring

Maxon

Terminates with 25-way D type

Pin 1	X motor (+)	White
Pin 2	X motor (-)	Brown
Pin 3	X Tacho (+)	Green
Pin 4	X Tacho (-)	Yellow
Pin 5	Y motor (+)	White
Pin 6	Y motor (-)	Brown
Pin 7	Y Tacho (+)	Green
Pin 8	Y Tacho (-)	Yellow
Pin 9	Z motor (+)	White
Pin 10	Z motor (-)	Brown
Pin 11	Z Tacho (+)	Green
Pin 12	Z Tacho (-)	Yellow

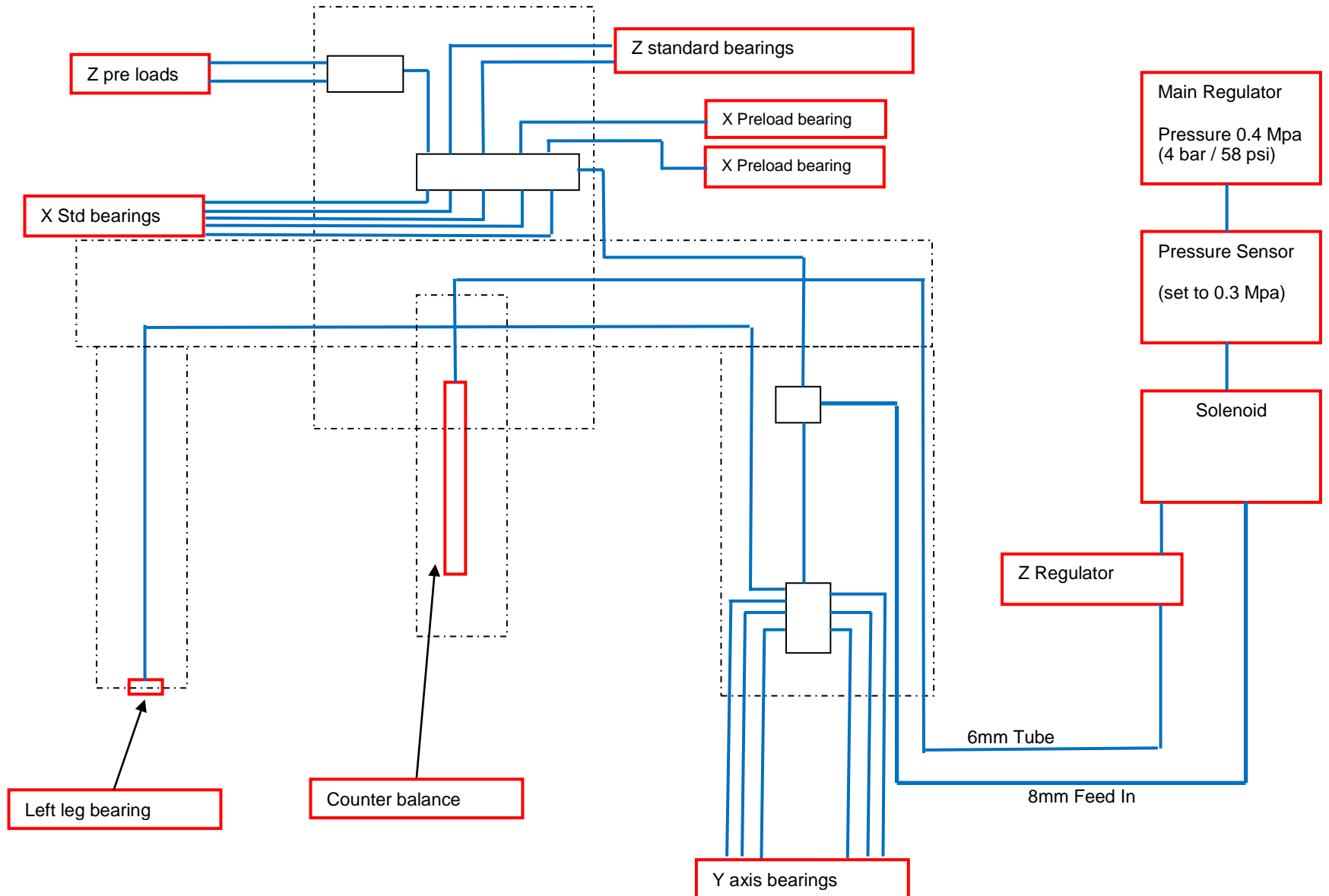
Pin 17	Solenoid 0v	Black
Pin 18	Solenoid 24v	Black with flash line
Pin 19	Estop	Black
Pin 20	Estop	Black with flash line

Values at nominal voltage

Nominal voltage	24 V
No load speed	8860 rpm
No load current	34.2 mA
Nominal speed	8050 rpm
Nominal torque (max. continuous torque)	27 mNm
Nominal current (max. continuous current)	1.08 A
Stall torque	299 mNm
Stall current	11.6 A
Max. efficiency	90 %

Description: Pneumatic schematic
M/c type: Axiom Too
Author: Chris Walkley
Date: 1 st March 2017

ABERLINK LTD | VATCH LANE | EASTCOMBE | GLOUCESTERSHIRE | GL6 7DY | UK

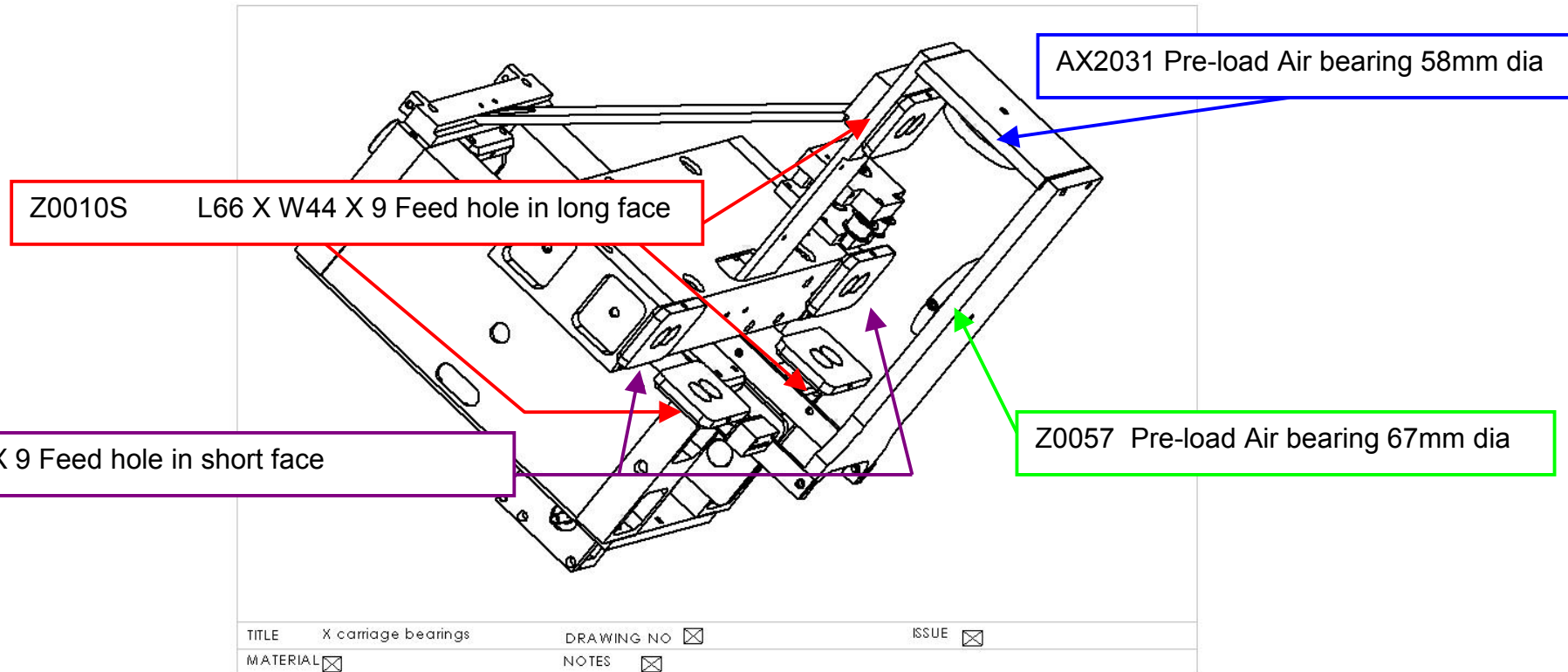


Description:
Air bearing Details (X axis) Position and part number.

M/c type:
Axiom Too, all sizes

Author: Chris Walkley

Date: 13th June 2011



Description:
Air bearing Details (Y axis) Position
and part number.

M/c type:
Axiom Too, all sizes

Author: Chris Walkley

Date: 13th June 2011

Z0010S L66 X W44 X 9 Feed hole in long face

AX2031 Pre-load Air bearing 58mm dia

AX2032 Pre-load Air bearing 48mm dia

TITLE	<input checked="" type="checkbox"/>	DRAWING NO	<input checked="" type="checkbox"/>	ISSUE	<input checked="" type="checkbox"/>
MATERIAL	<input checked="" type="checkbox"/>	NOTES	<input checked="" type="checkbox"/>		

Description:
Air bearing Details (Z axis) Position
and part number.

M/c type:
Axiom Too, all sizes

Author: Chris Walkley

Date: 13th June 2011

