

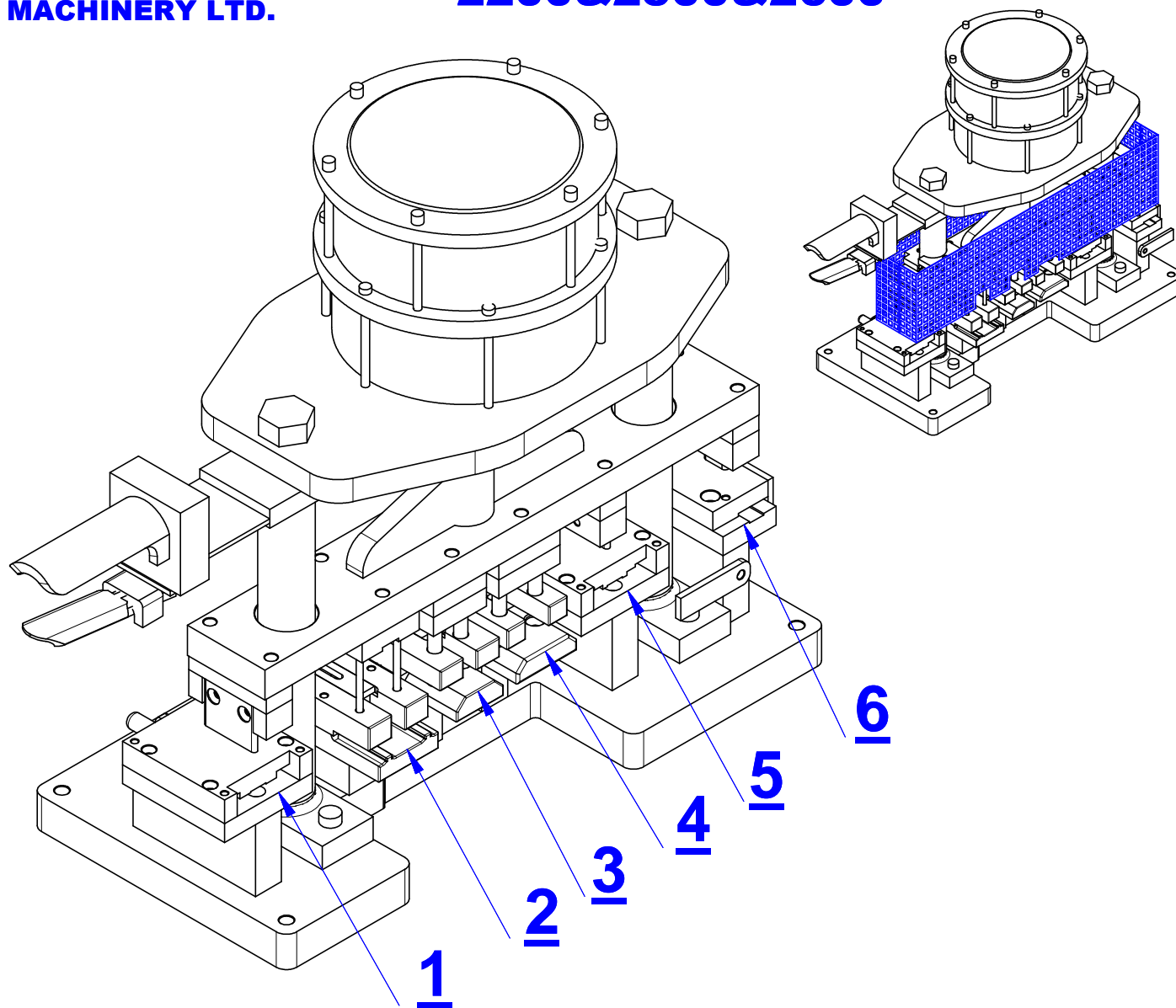
**SHOHAM**  
MACHINERY LTD.

# Pneumatic Press

## Model Alumicor AL-601 for series

### 2200&2500&2600

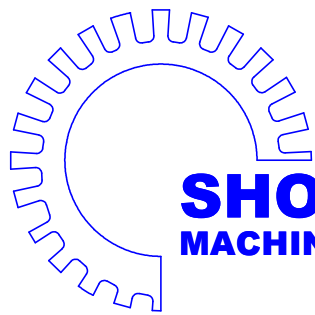
19.03.2013



**Address: 10 Hakishor St. Industrial-Zone Holon 58867, Israel ; Tel. 972-3-6797600, Fax. 972-3-6830213**

**Website: [www.shoham-mach.co.il](http://www.shoham-mach.co.il) , E-mail: [info@shoham-mach.co.il](mailto:info@shoham-mach.co.il)**

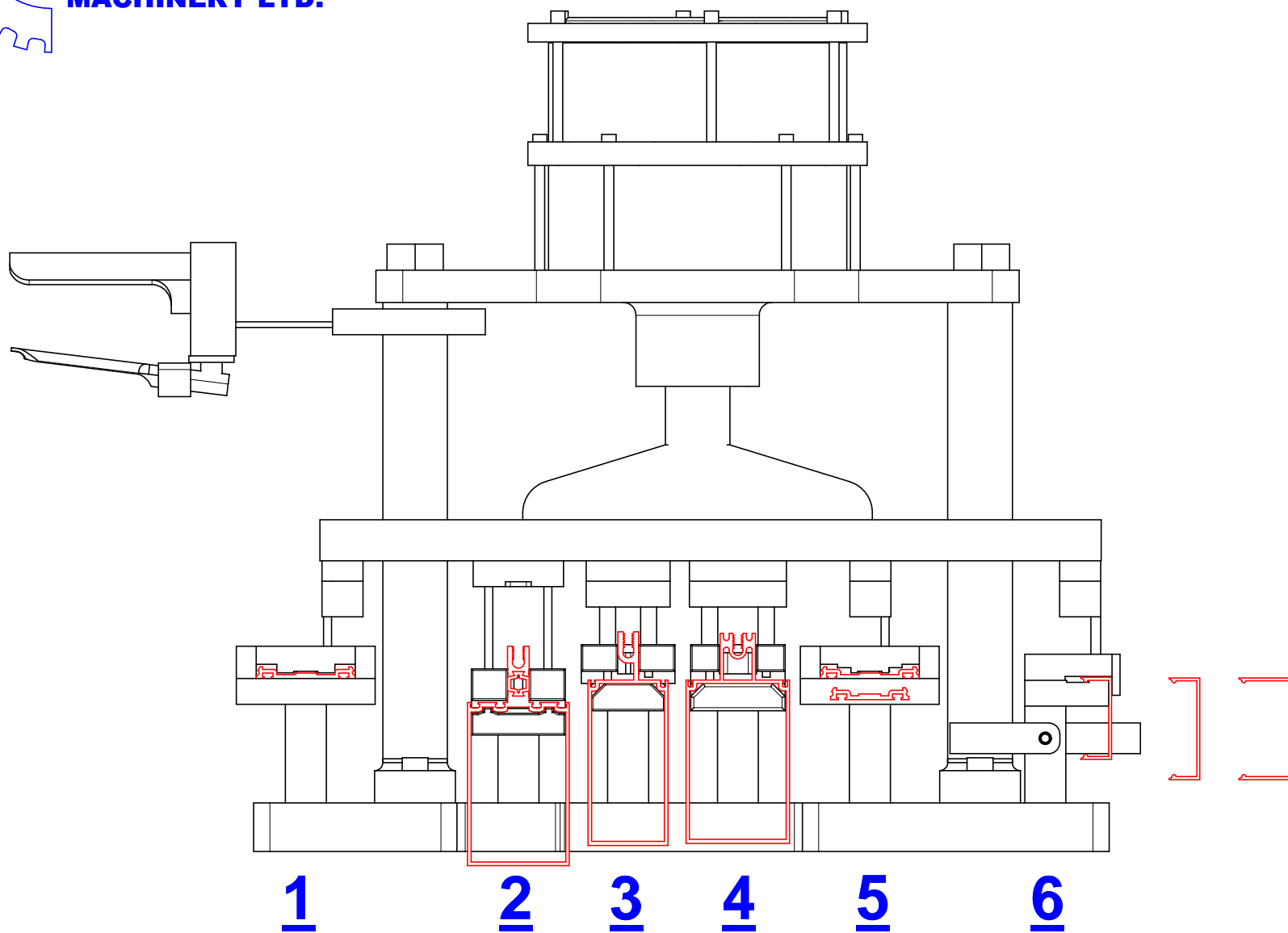
**THIS DRAWING IS THE PROPERTY OF SHOHAM MACHINERY LTD AND MUST NOT BE COPIED OR REPRODUCED WITHOUT THEIR PERMISSION ©2007**



**SHOHAM**  
MACHINERY LTD.

19.03.2013

# Model Alumicor AL-601 for series 2200&2500&2600

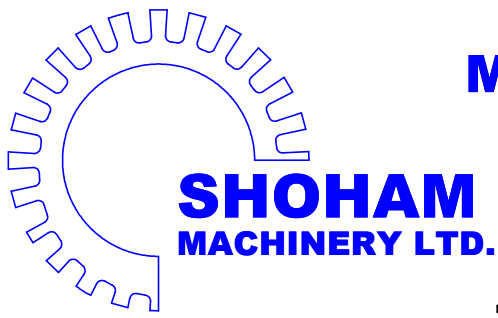


8

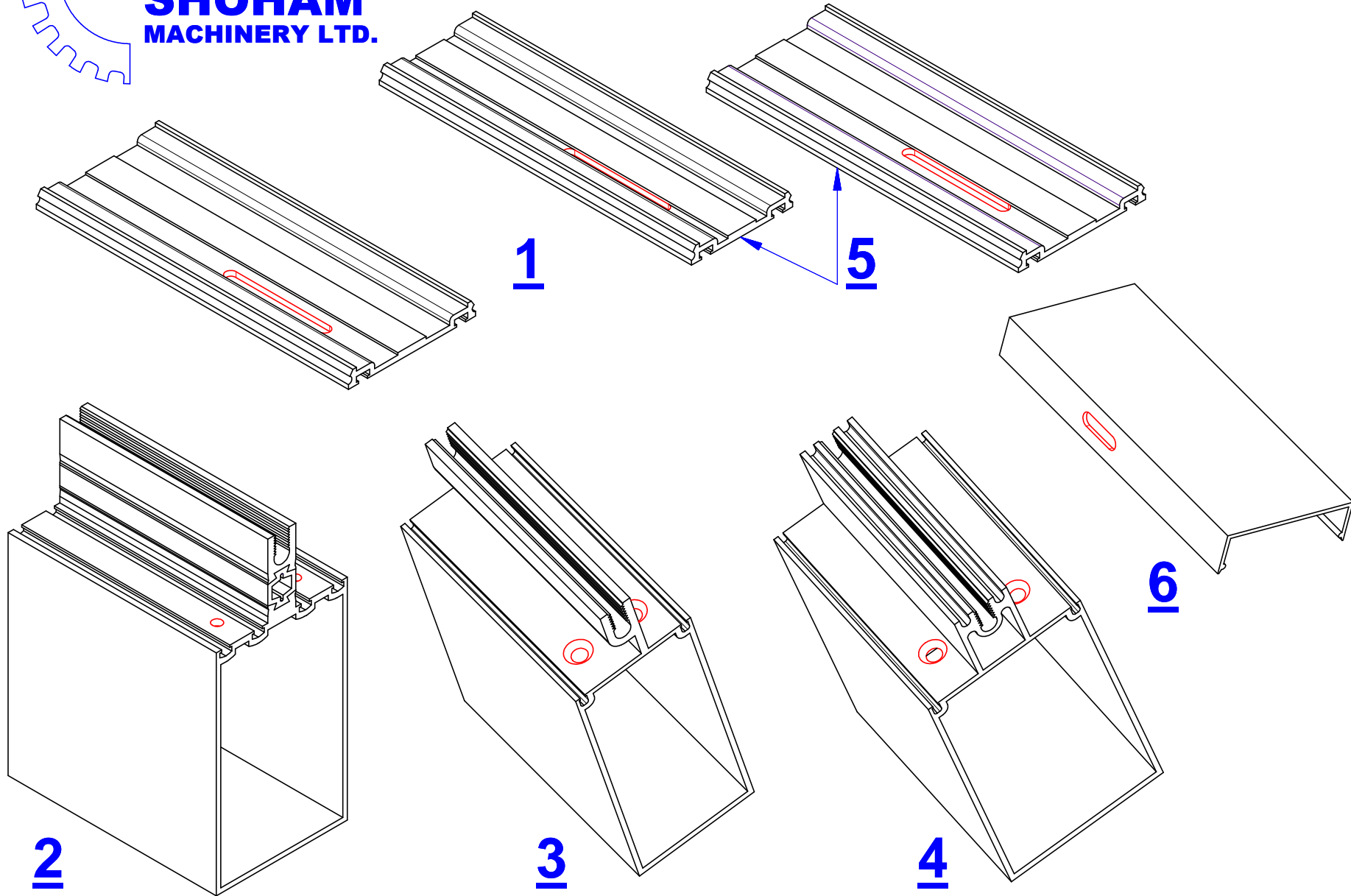
**Address: 10 Hakishor St. Industrial-Zone Holon 58867, Israel ; Tel. 972-3-6797600, Fax. 972-3-6830213**

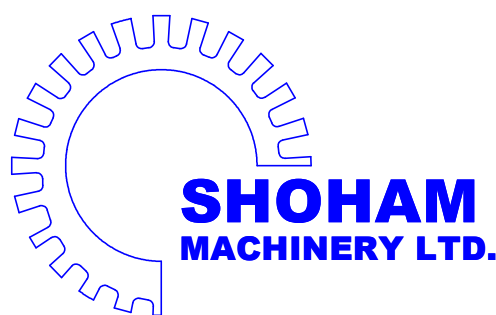
**Website: [www.shoham-mach.co.il](http://www.shoham-mach.co.il) , E-mail: [info@shoham-mach.co.il](mailto:info@shoham-mach.co.il)**

**THIS DRAWING IS THE PROPERTY OF SHOHAM MACHINERY LTD AND MUST NOT BE COPIED OR REPRODUCED WITHOUT THEIR PERMISSION ©2007**

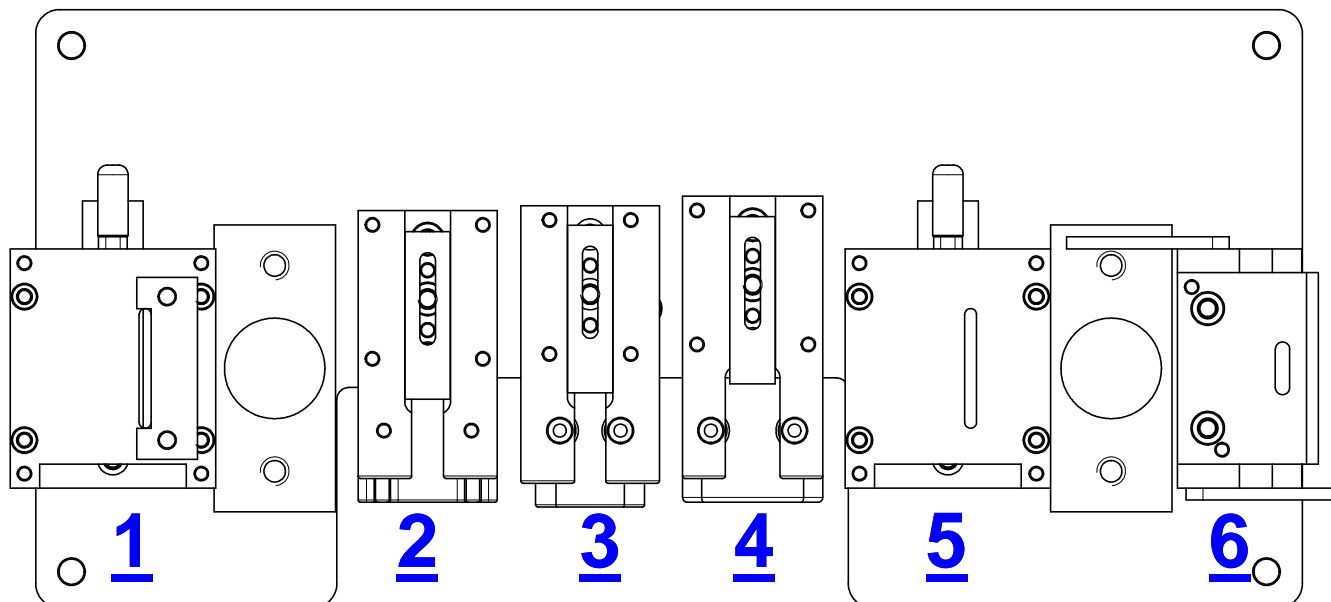


# Model Alumicor AL-601 for series 2200&2500&2600





## Model Alumicor AL-601 for series 2200&2500&2600



STATION	SERIAL	DESCRIPTION
1	AL601-1	Alumicor Pressure Plate drainage slot 5x50mm for 2500 series
2	AL601-2	Alumicor Mullion end-punch without csk for 2600 series
3	AL601-3	Alumicor Mullion end-punch including csk for 2200 series
4	AL601-4	Alumicor Mullion end-punch including csk for 2500 series
5	AL601-5	Alumicor Pressure Plate drainage slot 5x50mm for 2200&2600 series
6	AL601-6	Alumicor Cap drainage slot 6x22mm for 2200&2500 series