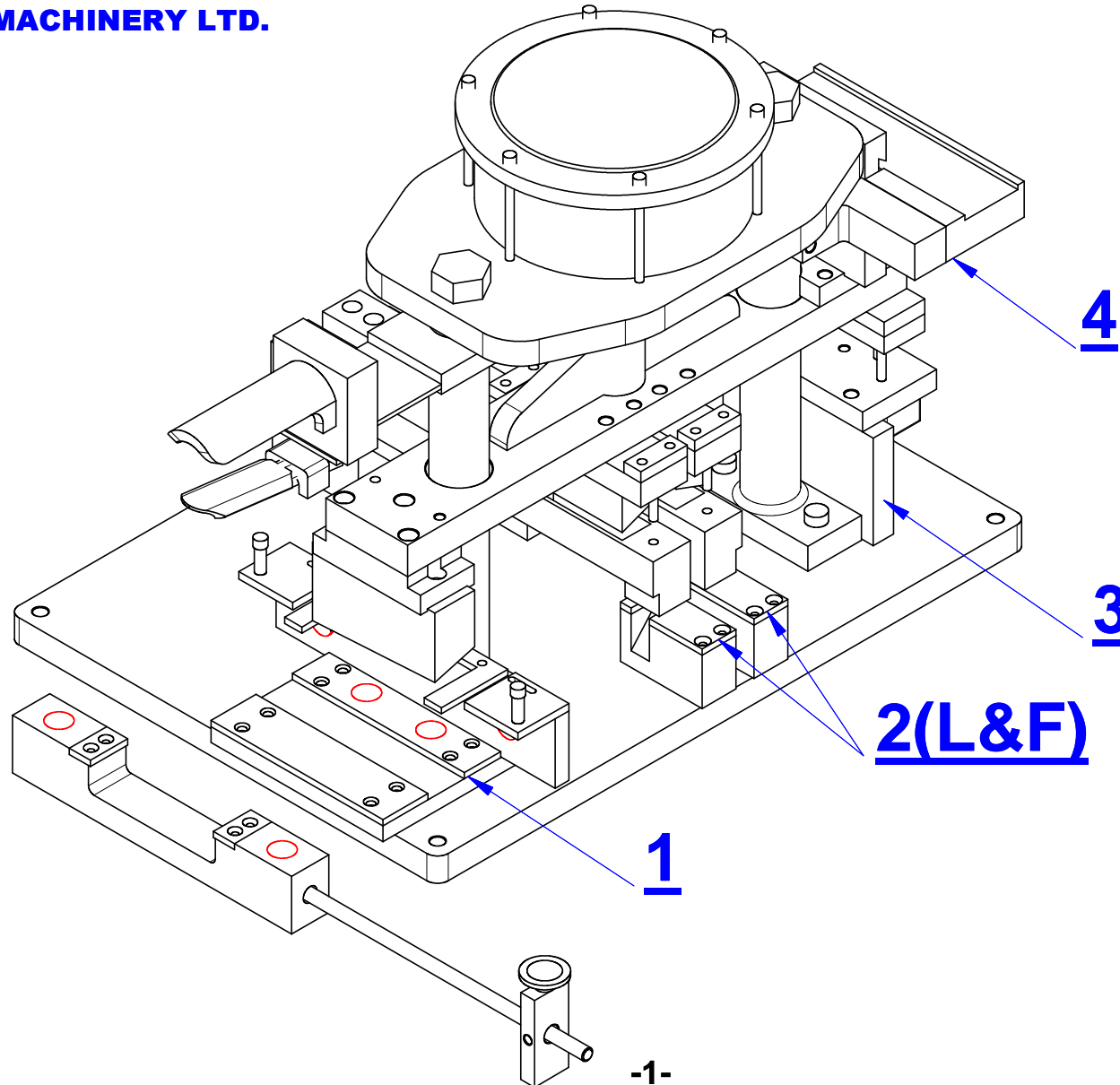


SHOHAM
MACHINERY LTD.

Pneumatic press
Model Alumicor AL-603
for series 1800&3400

01.09.2015



Address: 10 Hakishor St. Industrial-Zone Holon 58867, Israel ; Tel. 972-3-6797600, Fax. 972-3-6830213

Website: www.shoham-mach.co.il , E-mail: info@shoham-mach.co.il

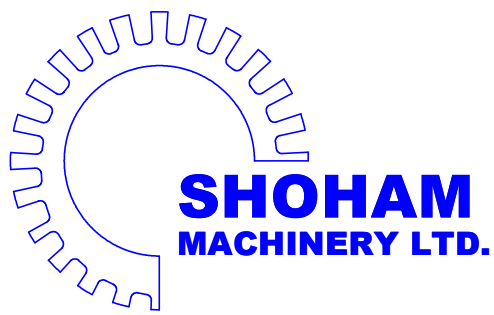
THIS DRAWING IS THE PROPERTY OF SHOHAM MACHINERY LTD AND MUST NOT BE COPIED OR REPRODUCED WITHOUT THEIR PERMISSION ©2007

Model Alumicor AL-603 for series 1800&3400

Magnetic mark - to show the position
of the support block inside the profile.

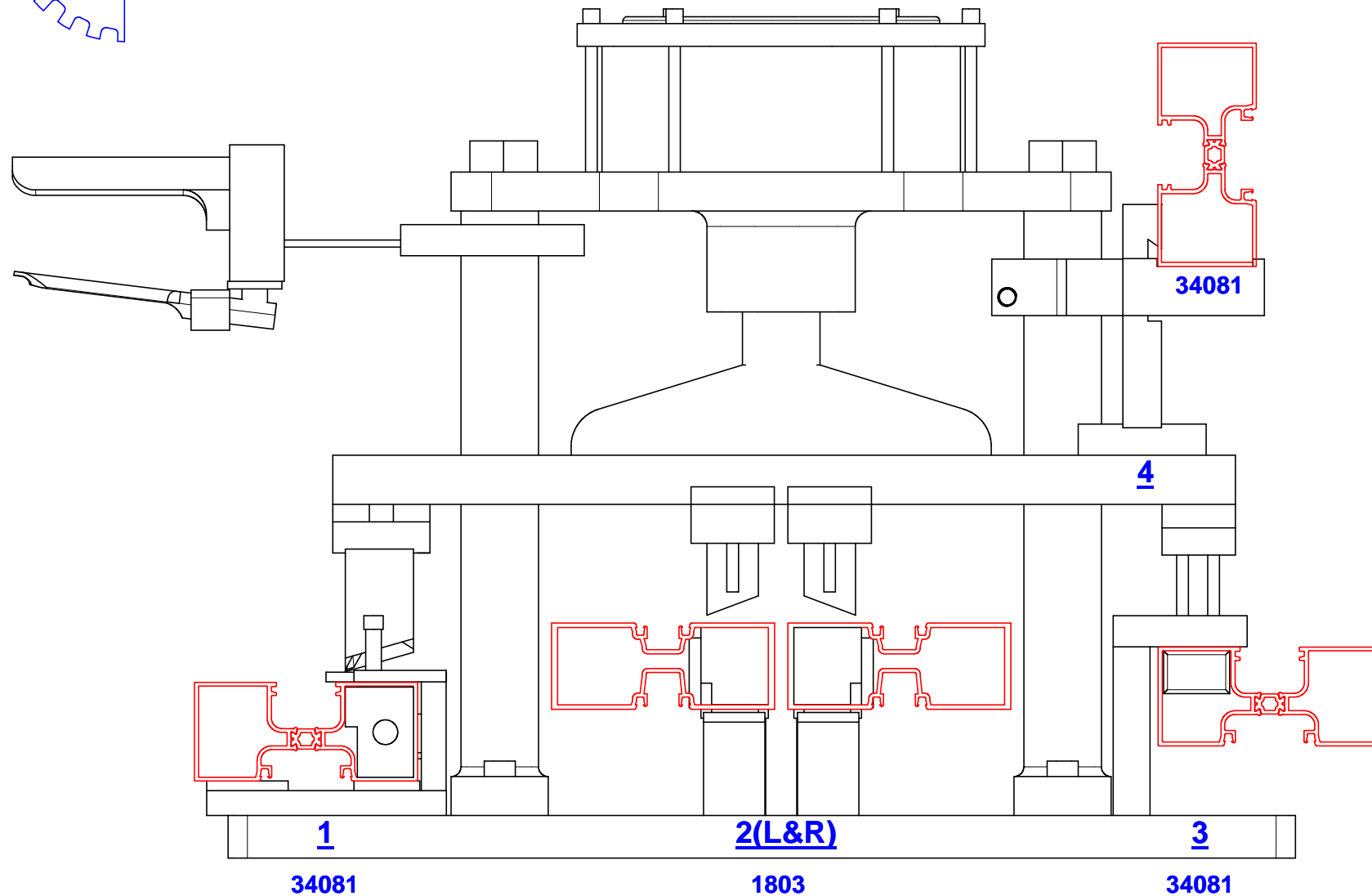
Push the magnetic support block
into the profile.

Punch only when both lights are on!



01.09.2015

Model Alumicor AL-603 for series 1800&3400



-3-

Address: 10 Hakishor St. Industrial-Zone Holon 58867, Israel ; Tel. 972-3-6797600, Fax. 972-3-6830213

Website: www.shoham-mach.co.il , E-mail: info@shoham-mach.co.il

THIS DRAWING IS THE PROPERTY OF SHOHAM MACHINERY LTD AND MUST NOT BE COPIED OR REPRODUCED WITHOUT THEIR PERMISSION ©2007

Model Alumicor AL-603
for series 1800&3400

