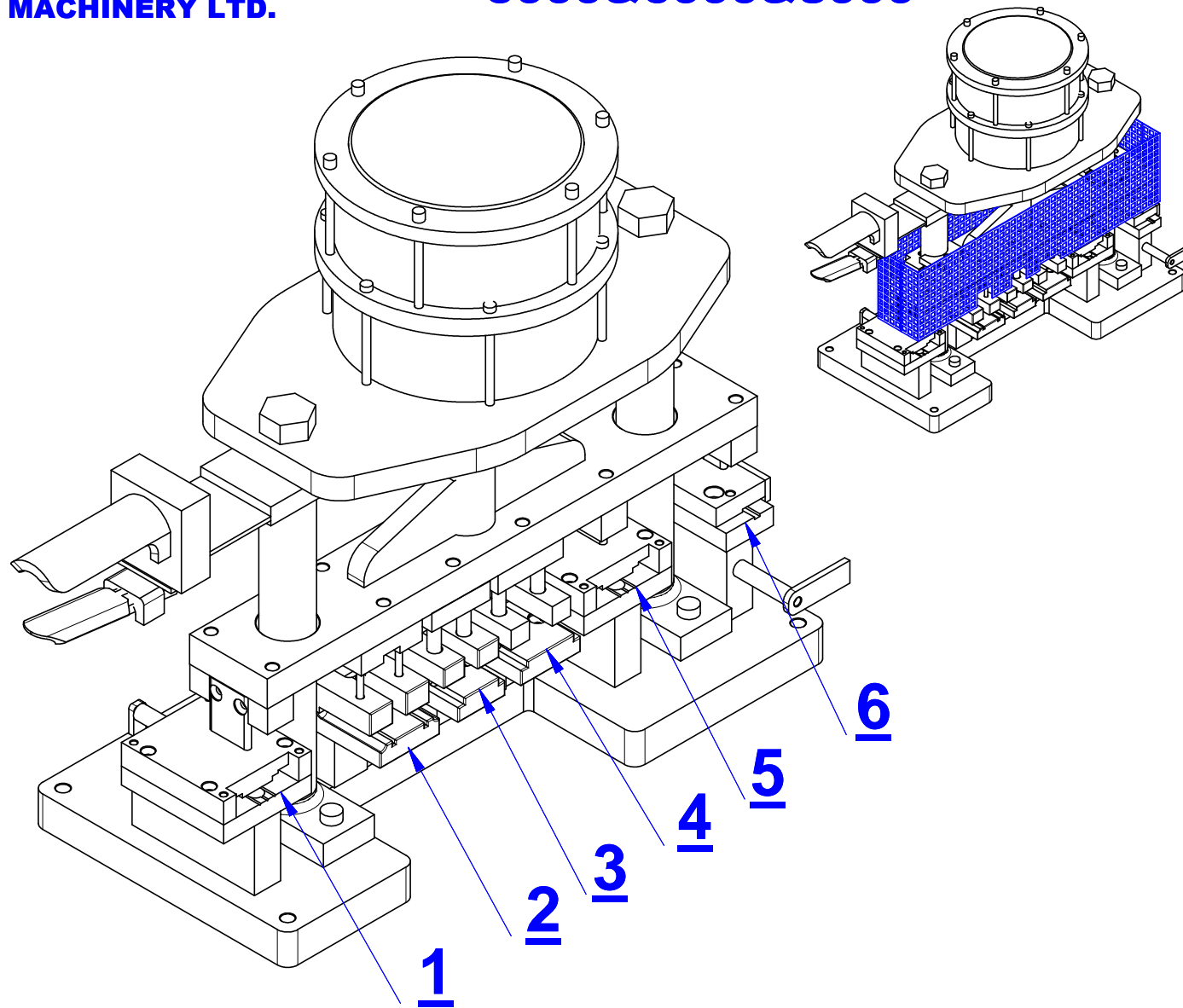


SHOHAM
MACHINERY LTD.

Pneumatic Press

Model Commdoor CM-602 for series 5000&6000&8000



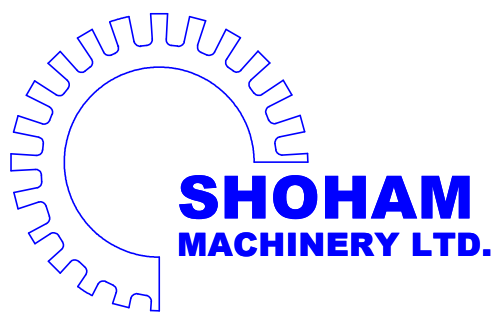
7

Address: 10 Hakishor St. Industrial-Zone Holon 58867, Israel ; Tel. 972-3-6797600, Fax. 972-3-6830213

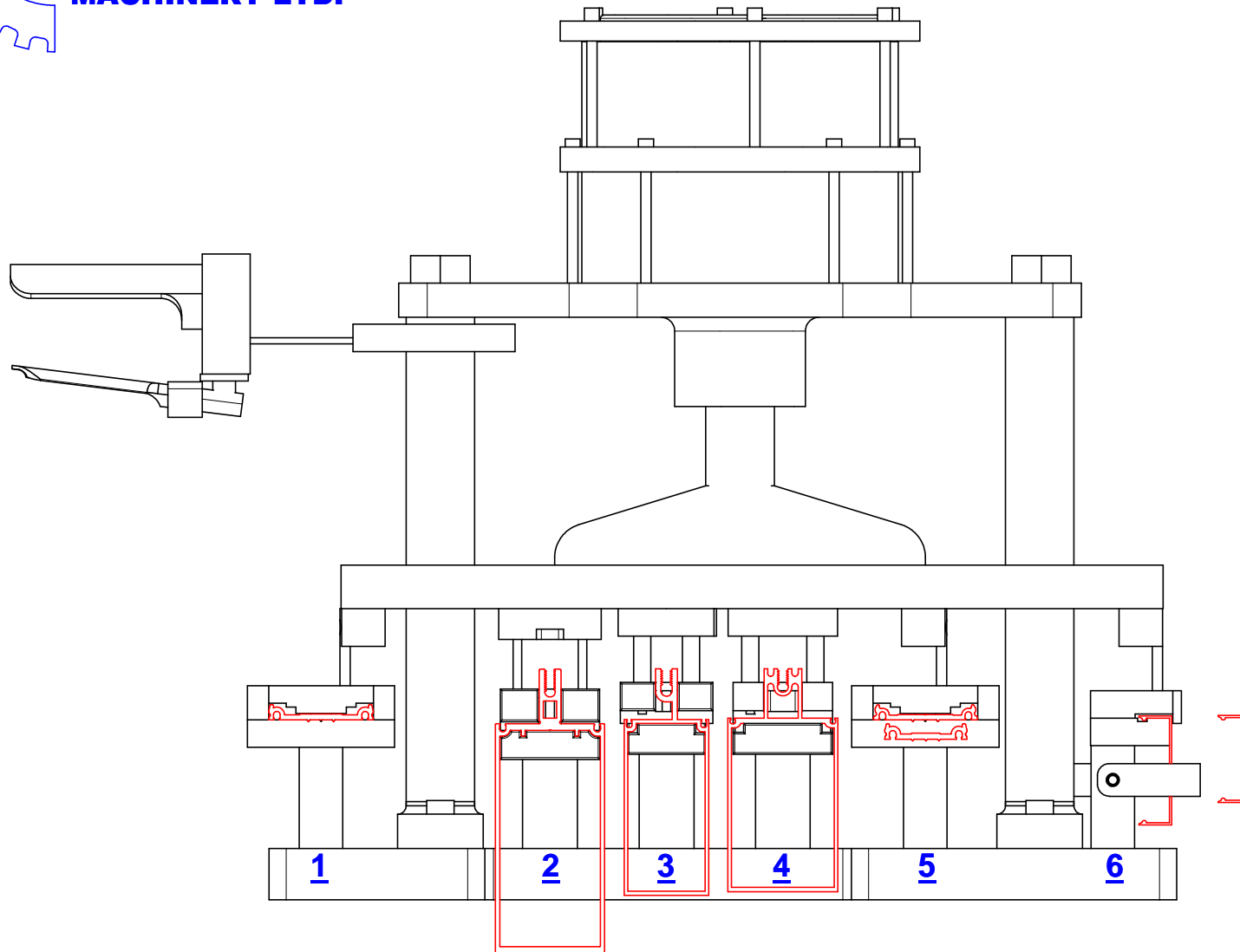
Website: www.shoham-mach.co.il , E-mail: info@shoham-mach.co.il

THIS DRAWING IS THE PROPERTY OF SHOHAM MACHINERY LTD AND MUST NOT BE COPIED OR REPRODUCED WITHOUT THEIR PERMISSION ©2007

17.01.2014



Model Commdoor CM-602 for series 5000&6000&8000

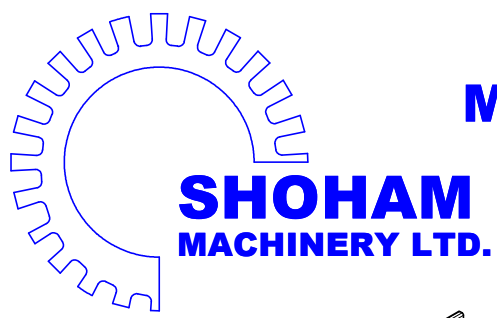


8

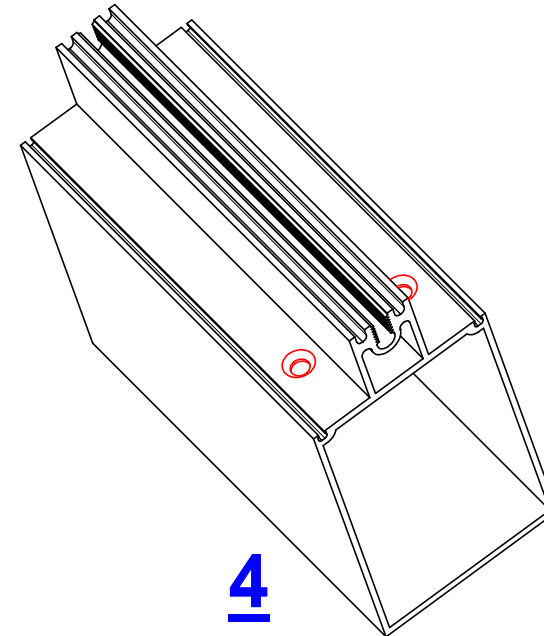
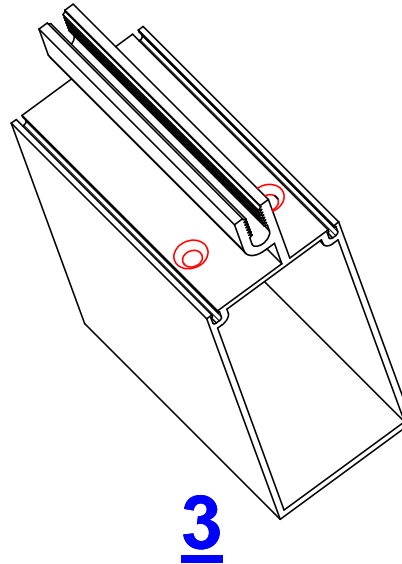
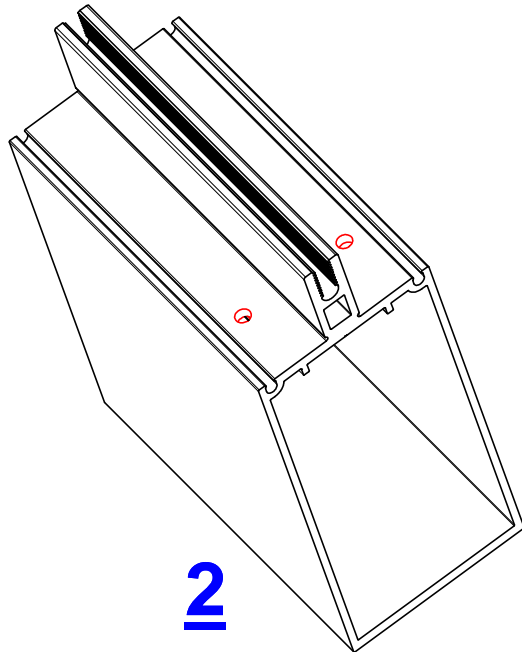
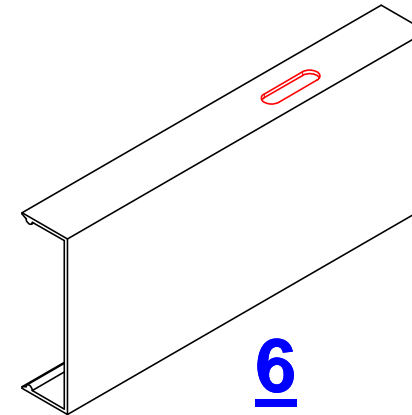
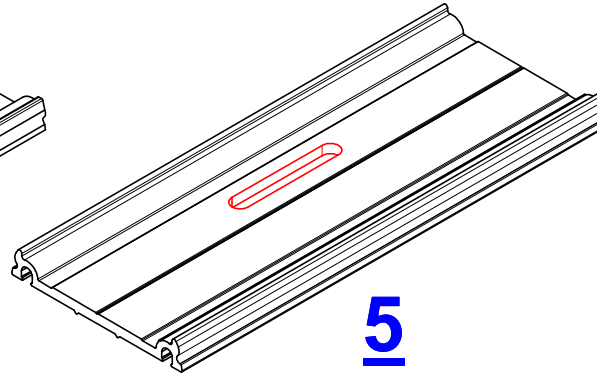
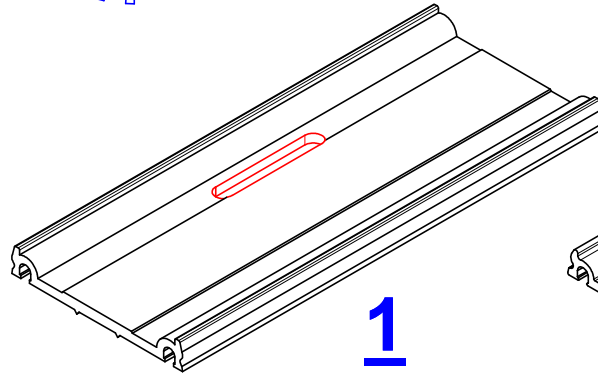
Address: 10 Hakishor St. Industrial-Zone Holon 58867, Israel ; Tel. 972-3-6797600, Fax. 972-3-6830213

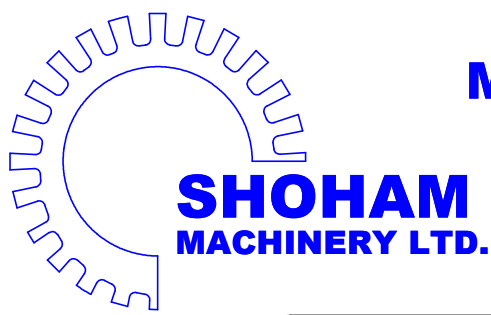
Website: www.shoham-mach.co.il , E-mail: info@shoham-mach.co.il

THIS DRAWING IS THE PROPERTY OF SHOHAM MACHINERY LTD AND MUST NOT BE COPIED OR REPRODUCED WITHOUT THEIR PERMISSION ©2007

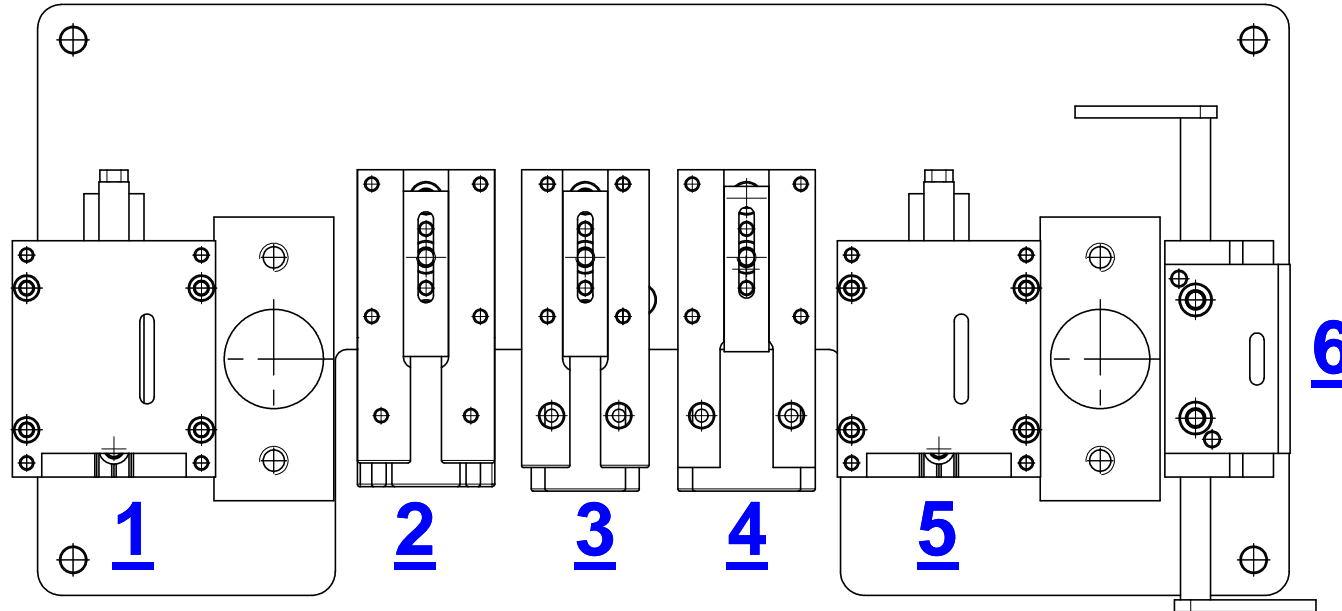


Model Commdoor CM-602 for series 5000&6000&8000





Model Commdoor CM-602 for series 5000&6000&8000



STATION	SERIAL	DESCRIPTION
1	CM1003	Commdoor Pressure Plate drainage slot 6x38mm for 6000 series
2	CM1006	Commdoor Mullion end-punch without csk for 8000 series
3	CM1004	Commdoor Mullion end-punch including csk for 5000 series
4	CM1005	Commdoor Mullion end-punch including csk for 6000 series
5	CM1002	Commdoor Pressure Plate drainage slot 6x38mm for 5000&8000 series
6	CM1001	Commdoor Cap drainage slot 6x22mm for 5000&6000&8000 series