

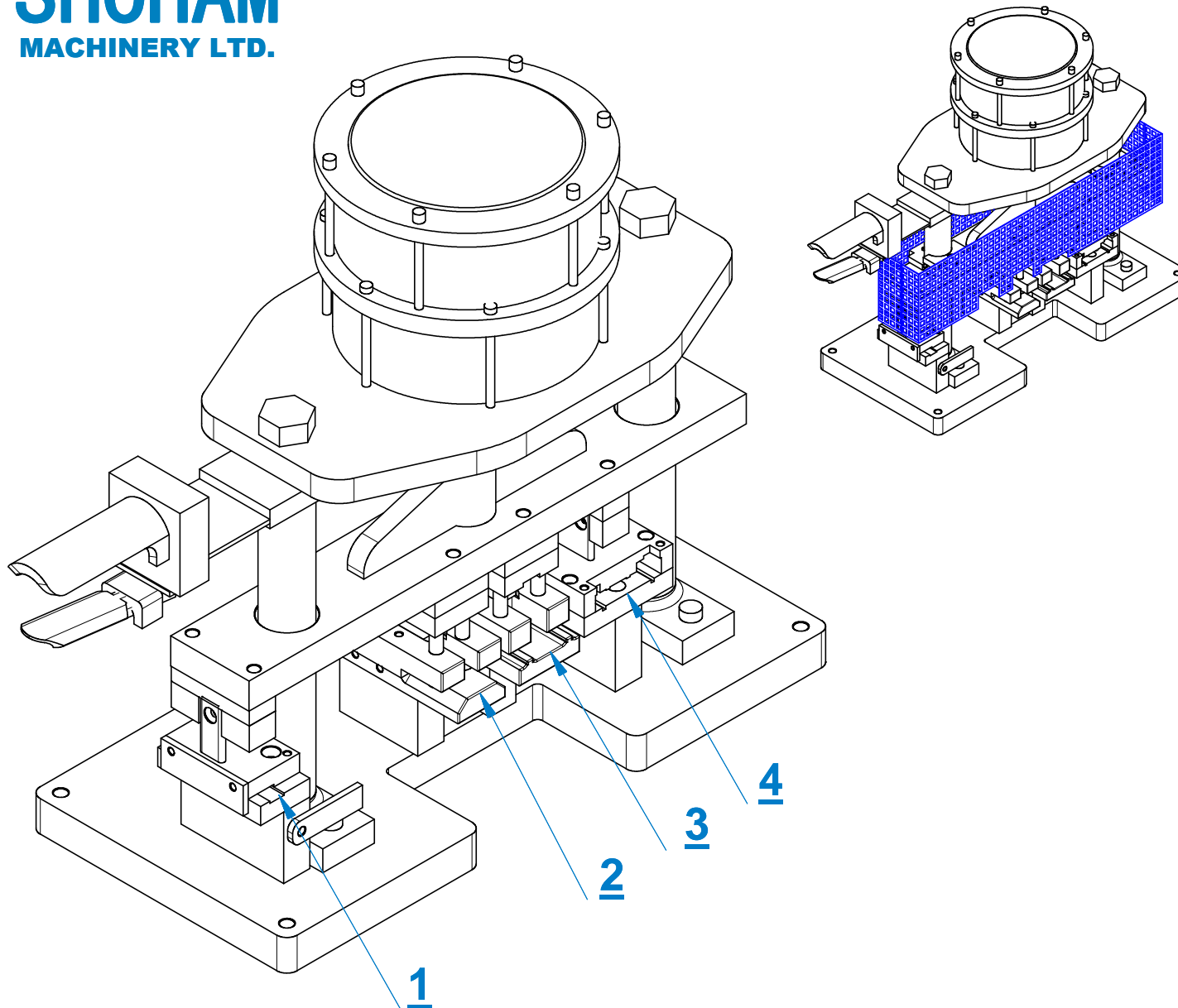


**Pneumatic press Model Kawneer KW-401
for series 1600 & 1600UT & 1602**



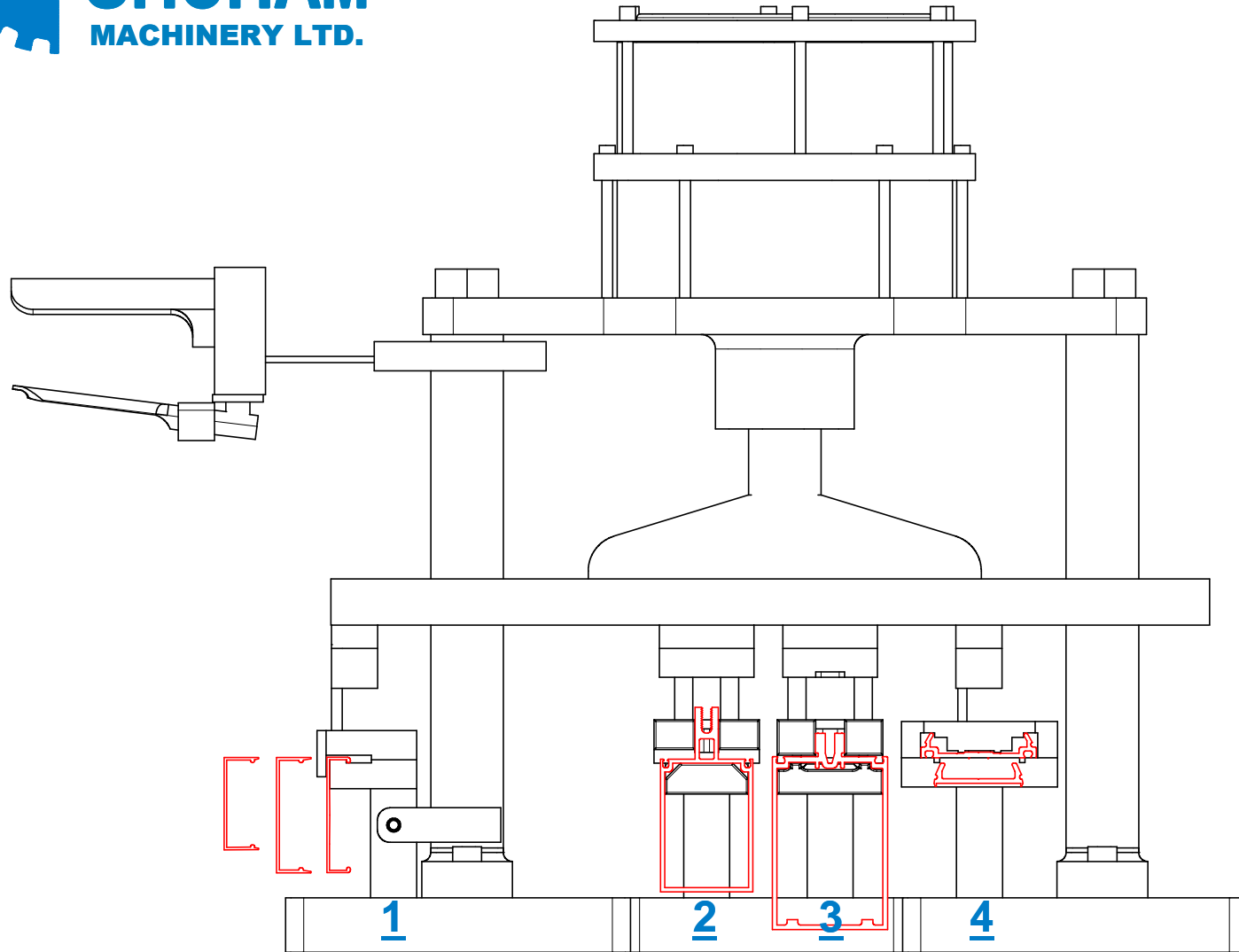
Pneumatic Punch Press by Shoham Machinery Ltd. distributed in Canada by AluMen Ltd.			
Punch Press	Series	Description	Profiles Processed
Kawneer KW-401	Kawneer 1602 1600	The 4 die set punches and coins 1602, 1600 Systems 1 & 2 and 1600UT Systems horizontals for shear block attachment, pressure plates and caps for weep slots. Perforation force: 5000 Kg Required Air supply: 8 Bars	<u>Kawneer 1602 Series</u> 820317, 820301, 820302, 820316, 820303 821861, 820309, 820310, 821859 & all special caps
	Systems 1&2 1600UT Curtain Wall Systems	Dimensions: W600mm, D250mm, H550 mm Weight: 98 Kg Sound pressure level: 85dB(A) Standard set includes all die sets, safety guards to protect punch points (front & back) and a hand lever or foot pedal.	<u>Kawneer 1600 Systems 1 & 2</u> 162001, 162002, 162003, 162004, 162013 162014, 162015, 162016, 162025, 162026 162027, 162028, 162091, 162092, 162093 162094, 162095, 162096, 162097, 162006 162335, 162531, 162359, 162370, 162261 162232, 162358, 162073, 162074, 162239 <u>Kawneer 1600UT Series</u> 171213, 171214, 171215, 171216, 171292 171293, 171296, 171297, 171201, 171202 171203, 171204, 171290, 171291, 171294 171295 & all caps and pressure plates of Kawneer 1600 Systems 1 & 2

Pneumatic press Model Kawneer K-401 for series 1600&1600UT&1602

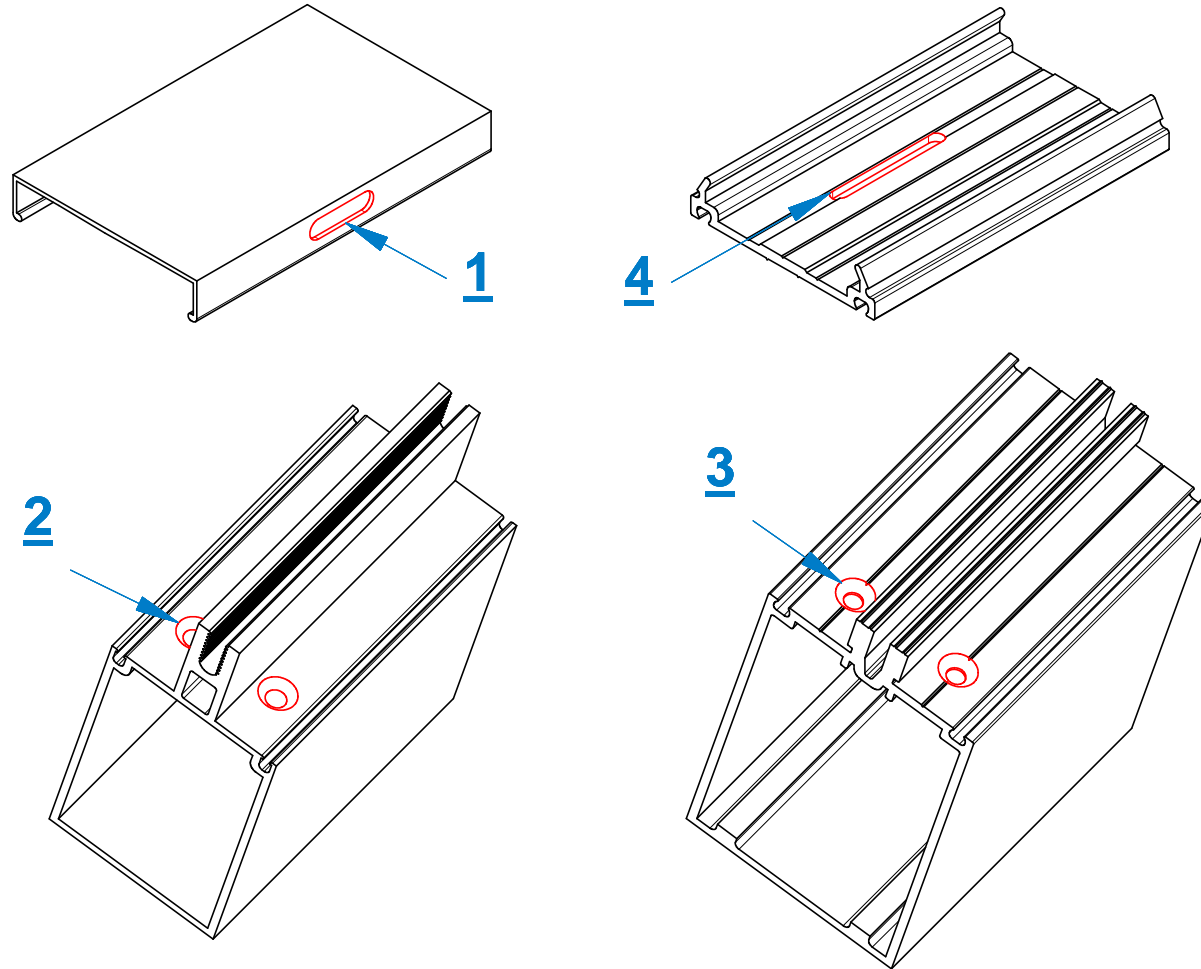


230916

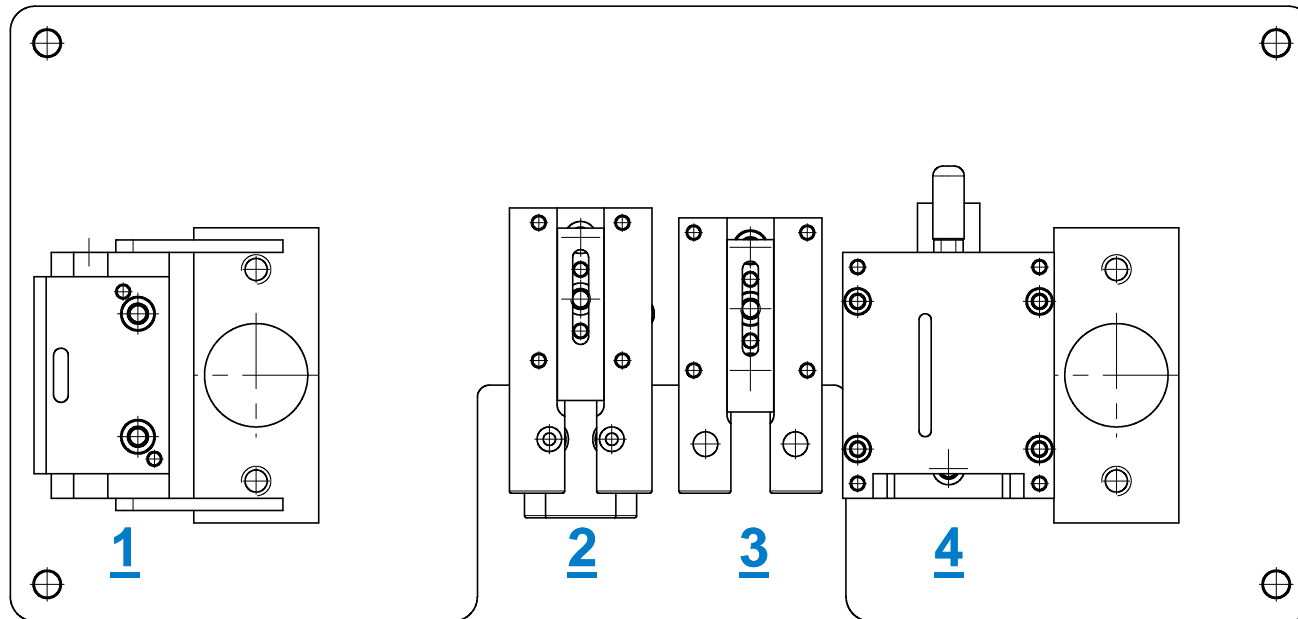
Model Kawneer K-401
for series 1600&1600UT&1602



230916



Model Kawneer K-401
for series 1600&1600UT&1602



STATION	SERIAL	DESCRIPTION
1	K401-1	Kawneer Cap drainage slot 6x22mm for 1600&1600UT&1602 series
2	K401-2	Kawneer Mullion end-punch including csk for 1602 series
3	K401-3	Kawneer Mullion end-punch including csk for 1600&1600UT series
4	K401-4	Kawneer Pressure Plate drainage slot 6.5x50mm for 1600&1600UT&1602 series

230916