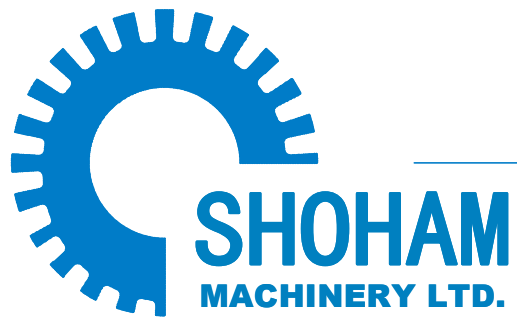




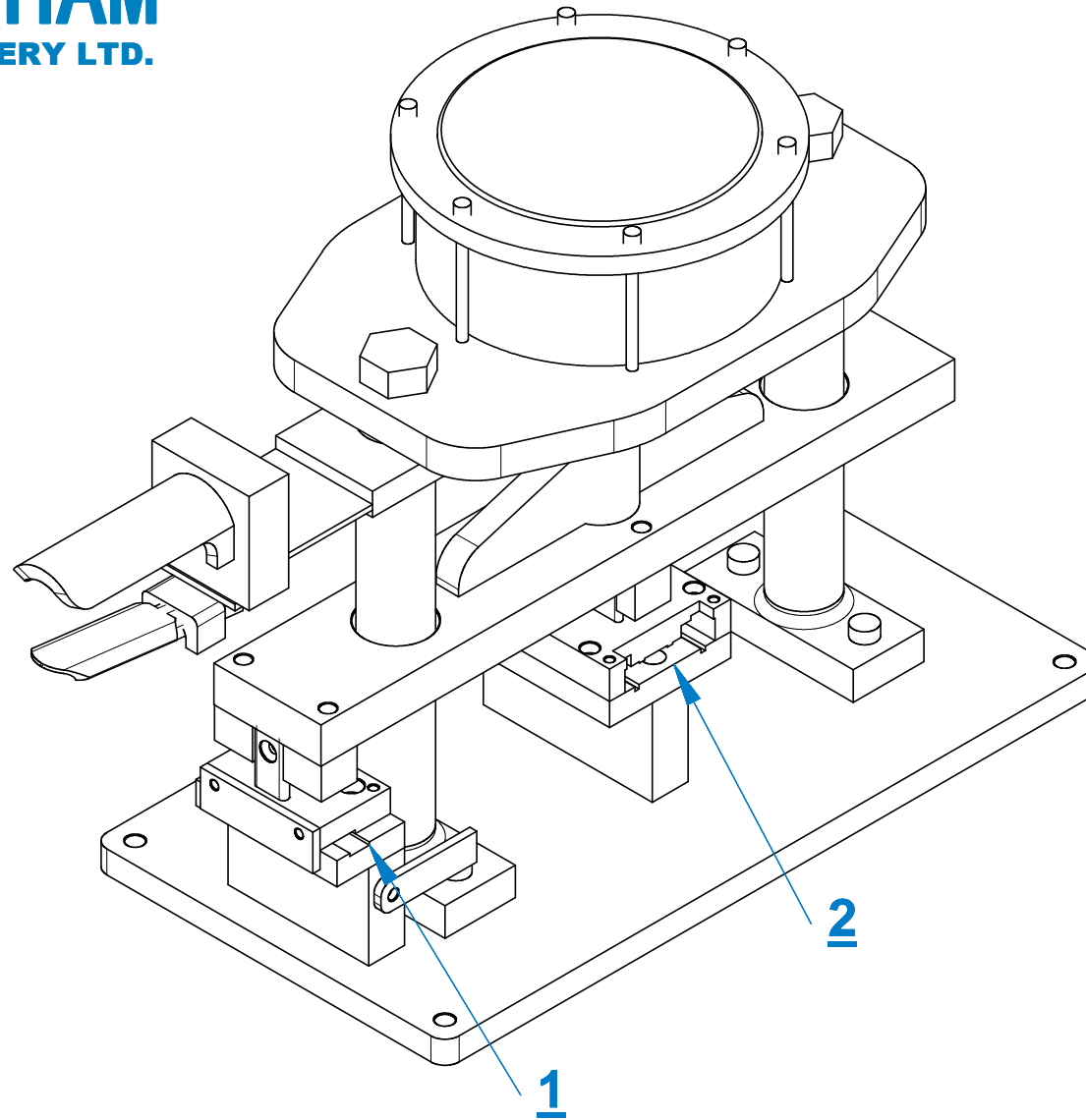
**Pneumatic press Model Kawneer KW-201  
for series 1600 & 1600UT & 1602**



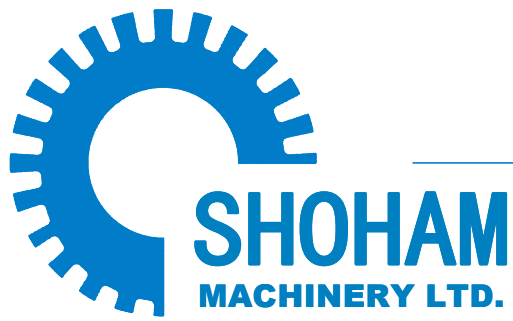
Pneumatic Punch Press by Shoham Machinery Ltd. distributed in Canada by AluMen Ltd.			
Punch Press	Series	Description	Profiles Processed
Kawneer KW-201	Kawneer 1602 1600 Systems 1&2 1600UT Curtain Wall Systems	<p>The 2 die set punches and coins 1602, 1600 Systems 1 &amp; 2 and 1600UT Systems Pressure Plates and Caps for weep slots only.</p> <p><b>Perforation force:</b> 2500 Kg</p> <p><b>Required Air supply:</b> 8 Bars</p> <p><b>Dimensions:</b> W470mm, D250mm, H450 mm</p> <p><b>Weight:</b> 65 Kg</p> <p><b>Sound pressure level:</b> 85dB(A) Standard</p> <p>set includes all die sets, safety guards to protect punch points (front &amp; back) and a hand lever or foot pedal.</p>	<p><u>Kawneer 1602 Series</u> 821861, 820309, 820310, 821859 &amp; all special caps</p> <p><u>Kawneer 1600 Systems 1 &amp; 2</u> 162006, 162335, 162358, 162073, 162074, 162239</p> <p><u>Kawneer 1600UT Series</u> all caps and pressure plates of Kawneer 1600 Systems 1 &amp; 2</p>



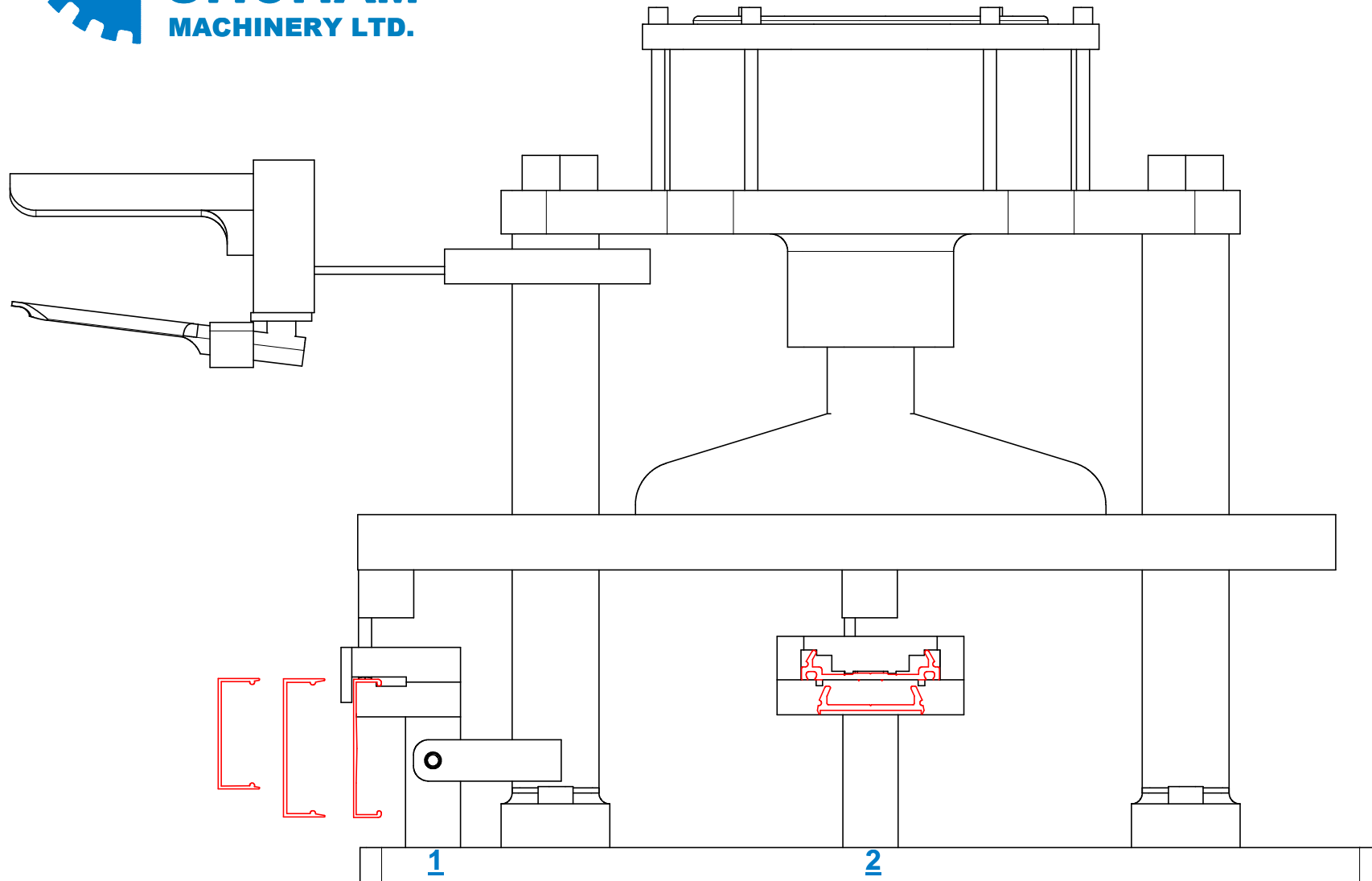
# Pneumatic press Model Kawneer K-201 for series 1600&1600UT&1602



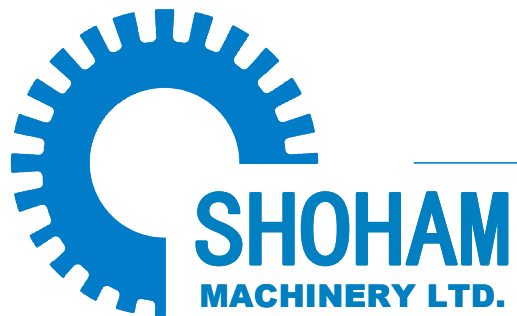
230916



# Model Kawneer K-201 for series 1600&1600UT&1602

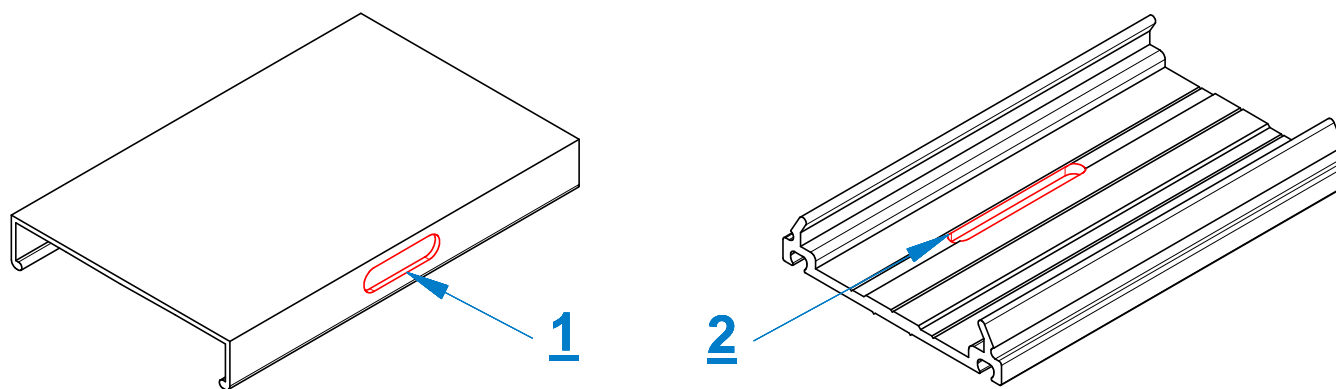


230916

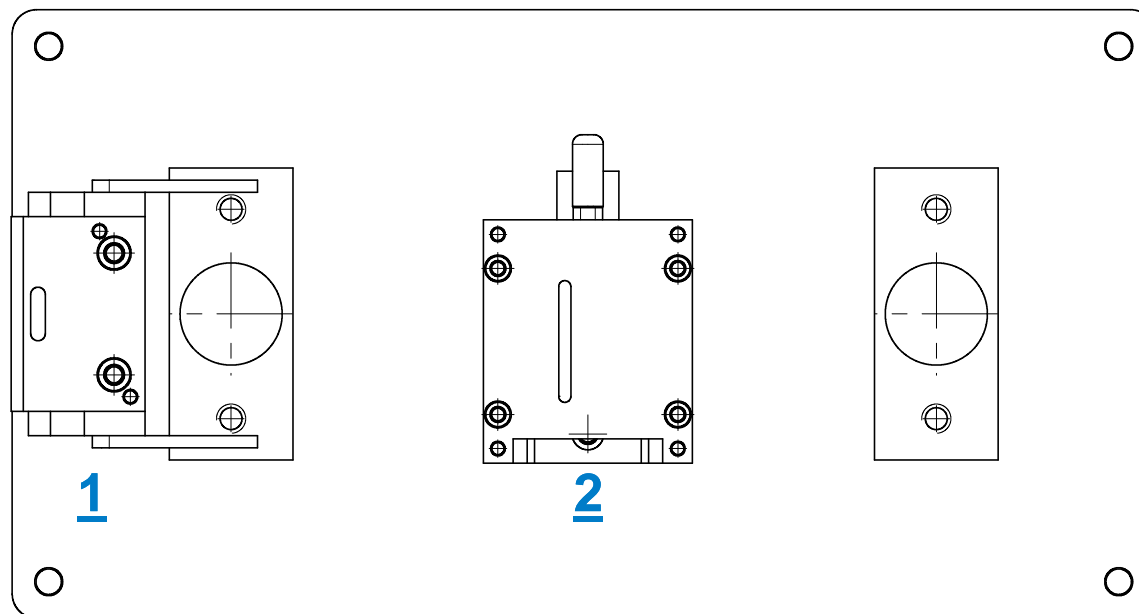


## Model Kawneer K-201 for series 1600&1600UT&1602

---



230916



STATION	SERIAL	DESCRIPTION
1	K201-1	Kawneer Cap drainage slot 6x22mm for 1600&1600UT&1602 series
2	K201-2	Kawneer Pressure Plate drainage slot 6.5x50mm for 1600&1600UT&1602 series

**230916**