



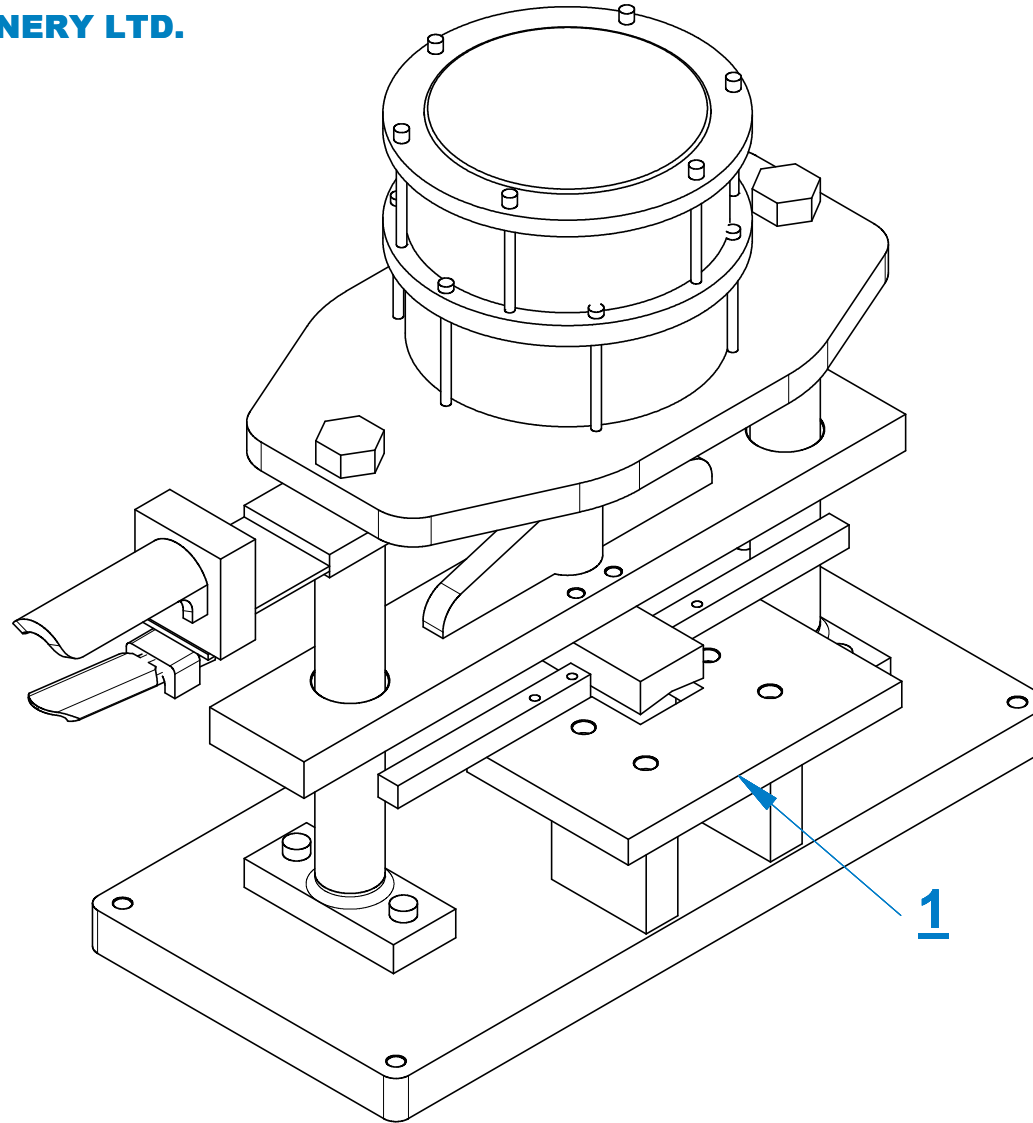
Pneumatic press Model AK-101 for ALL EXISTING Curtain Wall Systems



Pneumatic Punch Press by Shoham Machinery Ltd. distributed in Canada by AluMen Ltd.			
Punch Press	Series	Description	Profiles Processed
AK-101	ALL EXISTING Alumicor Curtain Wall Systems	<p>The 1 die set punches all existing curtain wall systems end opening in top and bottom horizontal mullions</p> <p>Perforation force: 5000 Kg Required Air supply: 8 Bars Dimensions: W600mm, D250mm, H550 mm Weight: 98 Kg Sound pressure level: 85dB(A)</p> <p>Standard set includes all die sets, safety guards to protect punch points (front & back) and a hand lever or foot pedal.</p>	<p><u>Alumicor</u></p> <p>22010, 22022, 22030, 22210, 22220, 22230 22320, 17510, 17520, 25910, 25010, 25020 25440, 25030, 25040, 25080, 25300, 25310 25320, 25330, 25420, 25430, 25759, 25754 25756, 25784, 25763, 25764, 25766, 25786 25748, 25749, 25750, 25782, 25808</p>



Pneumatic press Model AK-101 for ALL EXISTING Curtain Wall Systems

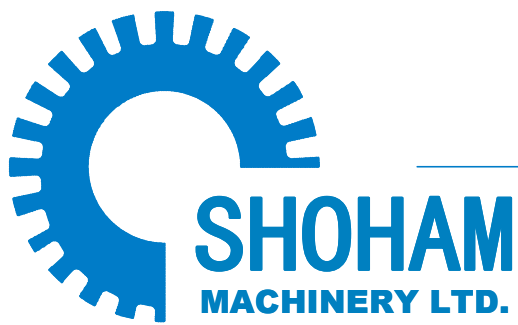


110218

THIS DRAWING IS THE PROPERTY OF SHOHAM MACHINERY LTD AND ITS SUBSIDIARIES AND MUST NOT BE COPIED OR REPRODUCED WITHOUT THEIR PERMISSION

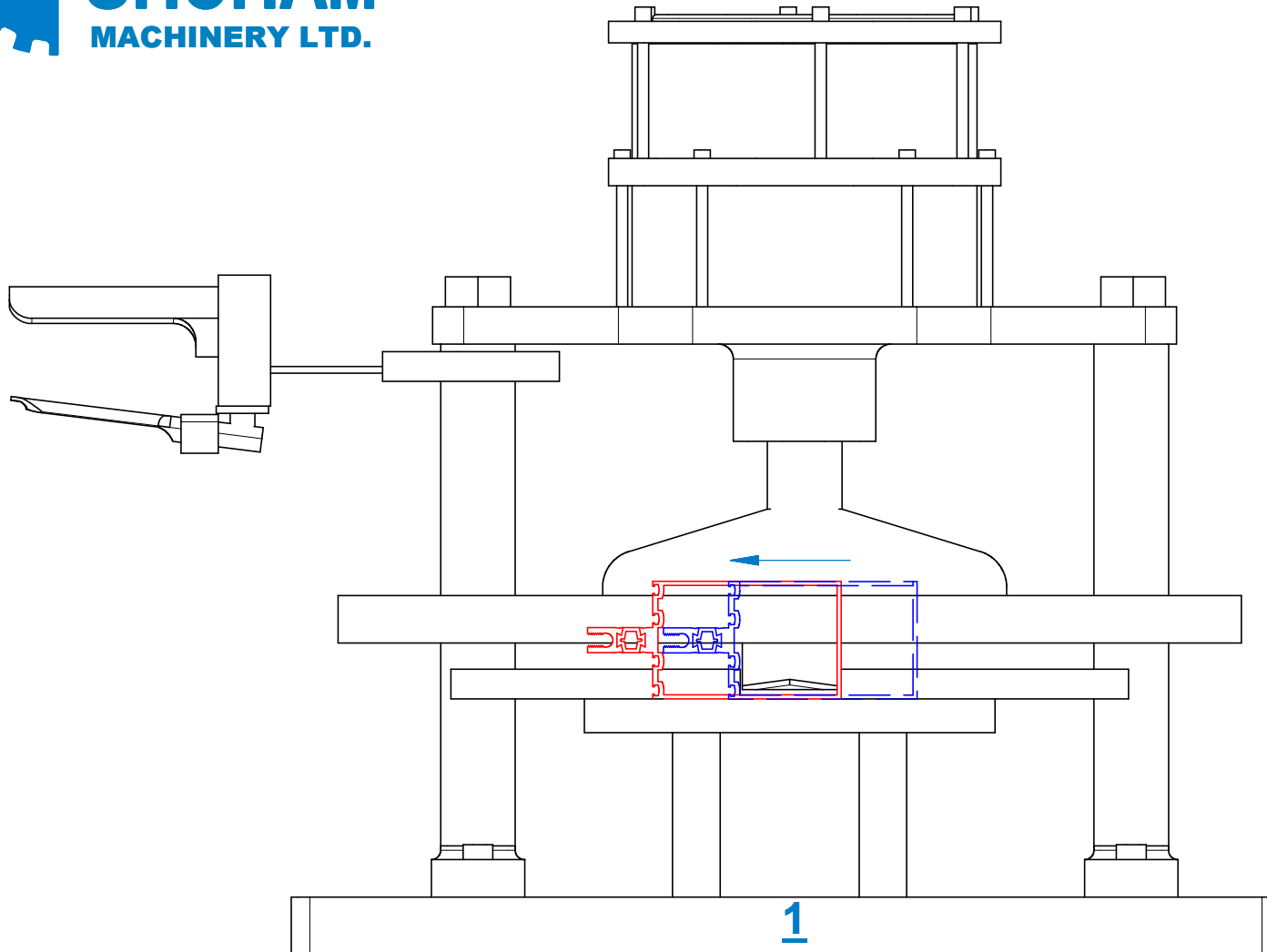
10 HaKishor St. Holon Industrial-Zone 5886703, Israel Tel. +972-3-6797600 Fax. +972-3-6830213

www.shoham-machinery.com info@shoham-mach.co.il



Model AK-101

for ALL EXISTING Curtain Wall Systems



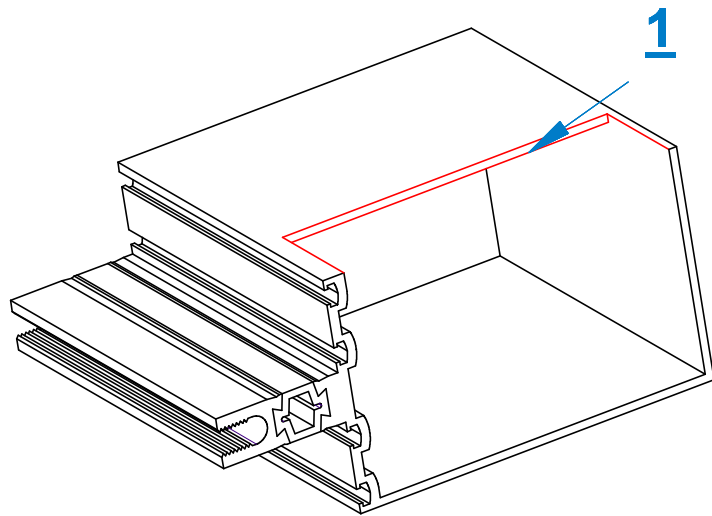
110218

THIS DRAWING IS THE PROPERTY OF SHOHAM MACHINERY LTD AND ITS SUBSIDIARIES AND MUST NOT BE COPIED OR REPRODUCED WITHOUT THEIR PERMISSION

10 HaKishor St. Holon Industrial-Zone 5886703, Israel Tel. +972-3-6797600 Fax. +972-3-6830213

www.shoham-machinery.com info@shoham-mach.co.il

Model AK-101
for ALL EXISTING Curtain Wall Systems



Alumicor

22010, 22022, 22030, 22210, 22220, 22230
22320, 17510, 17520, 25910, 25010, 25020
25440, 25030, 25040, 25080, 25300, 25310
25320, 25330, 25420, 25430, 25759, 25754
25756, 25784, 25763, 25764, 25766, 25786
25748, 25749, 25750, 25782, 25808