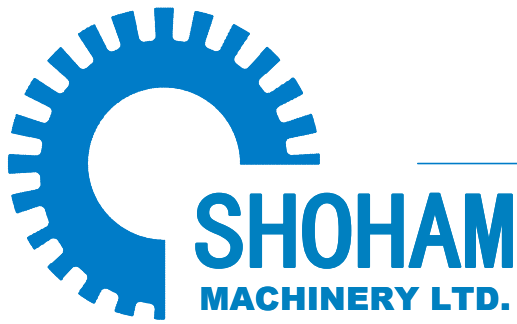




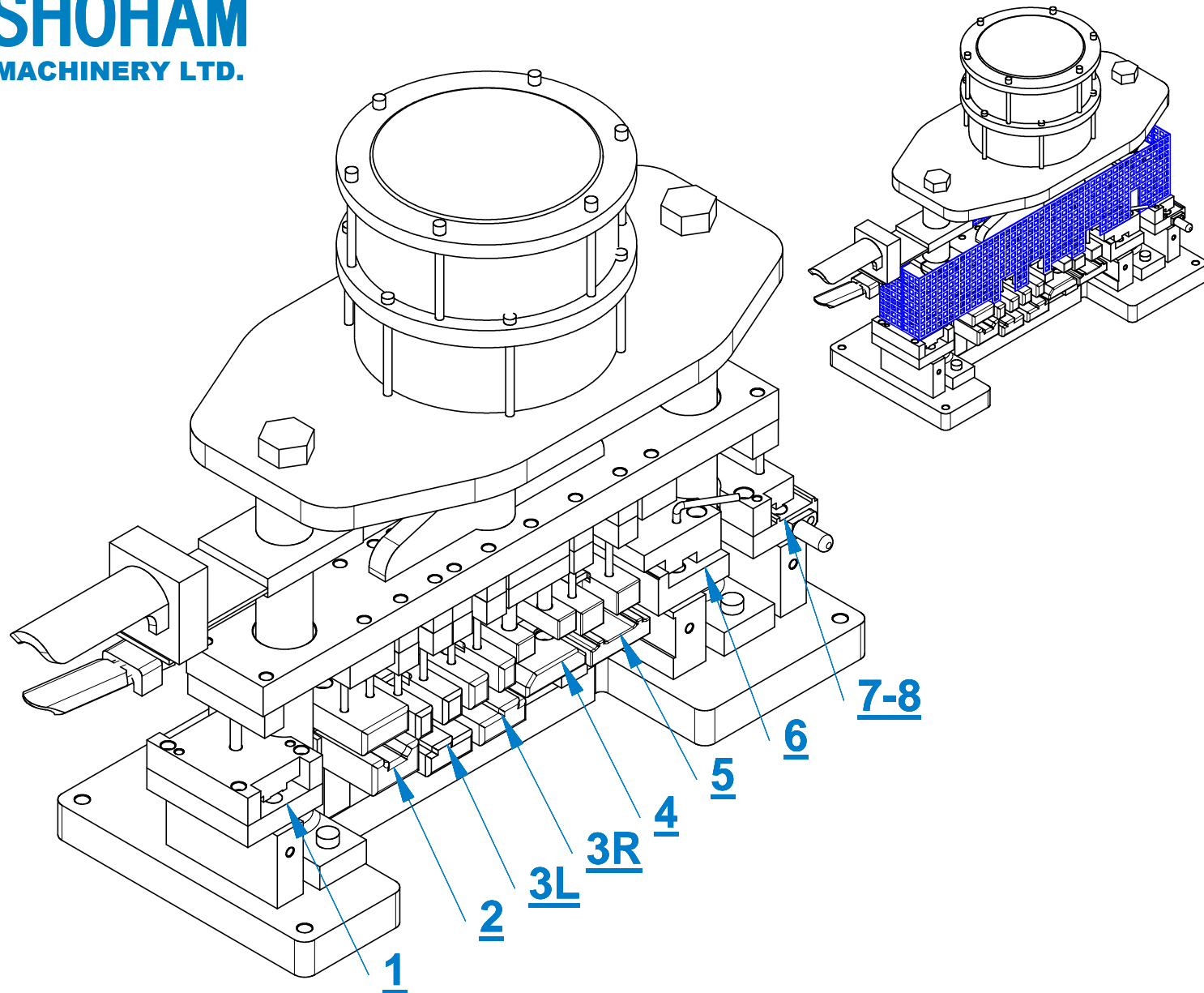
**Pneumatic press Model Alumicor AL-605
for series 2200TW & 2500 & 2600**



Pneumatic Punch Press by Shoham Machinery Ltd. distributed in Canada by AluMen Ltd.			
Punch Press	Series	Description	Profiles Processed
Alumicor AL-605	Alumicor 2200TW 2500 2600 Curtain Wall Systems	<p>The 9 die set punches and coins 2200TW, 2500 and 2600 Curtain Wall Systems horizontals for shear block attachment, pressure plates and caps for weep slots.</p> <p>Perforation force: 5000 Kg Required Air supply: 8 Bars Dimensions: W600mm, D250mm, H550 mm Weight: 118 Kg Sound pressure level: 85dB(A) Standard set includes all die sets, safety guards to protect punch points (front & back) and a hand lever or foot pedal.</p>	<p><u>Alumicor NEW 2200TW Series</u> TW22720, TW22721, TW22722, TW22723 TW22730, TW22731, TW22732, TW22733 TW22714, TW22715, 22050, 22070, TW22861 TW22802, TW22803</p>
			<p><u>Alumicor 2500 Series</u> 25010, 25020, 25440, 25030, 25040, 25080, 25300, 25310, 25330, 25430, 25050, 25060, 25070, 25170, 25150, 25160, 25180, 25250, 25290, 25090, 25270, 25240, JC2, JC3, JC9 & all special caps</p>
			<p><u>Alumicor 2600 Series</u> 25759, 25754, 25774, 25756, 25784, 25763, 25764, 25778, 25766, 25786, 25748, 25749, 25750, 25782 & all caps and pressure plates of Alumicor 2500 Series</p>



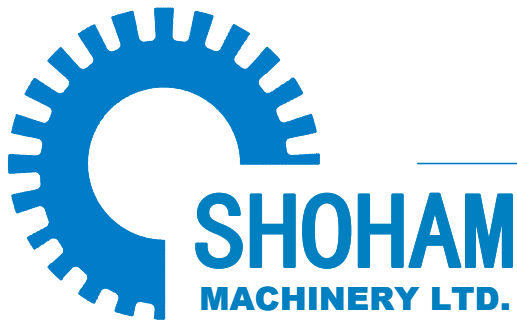
Pneumatic press Model Alumicor AL-605 for series 2200TW&2500&2600



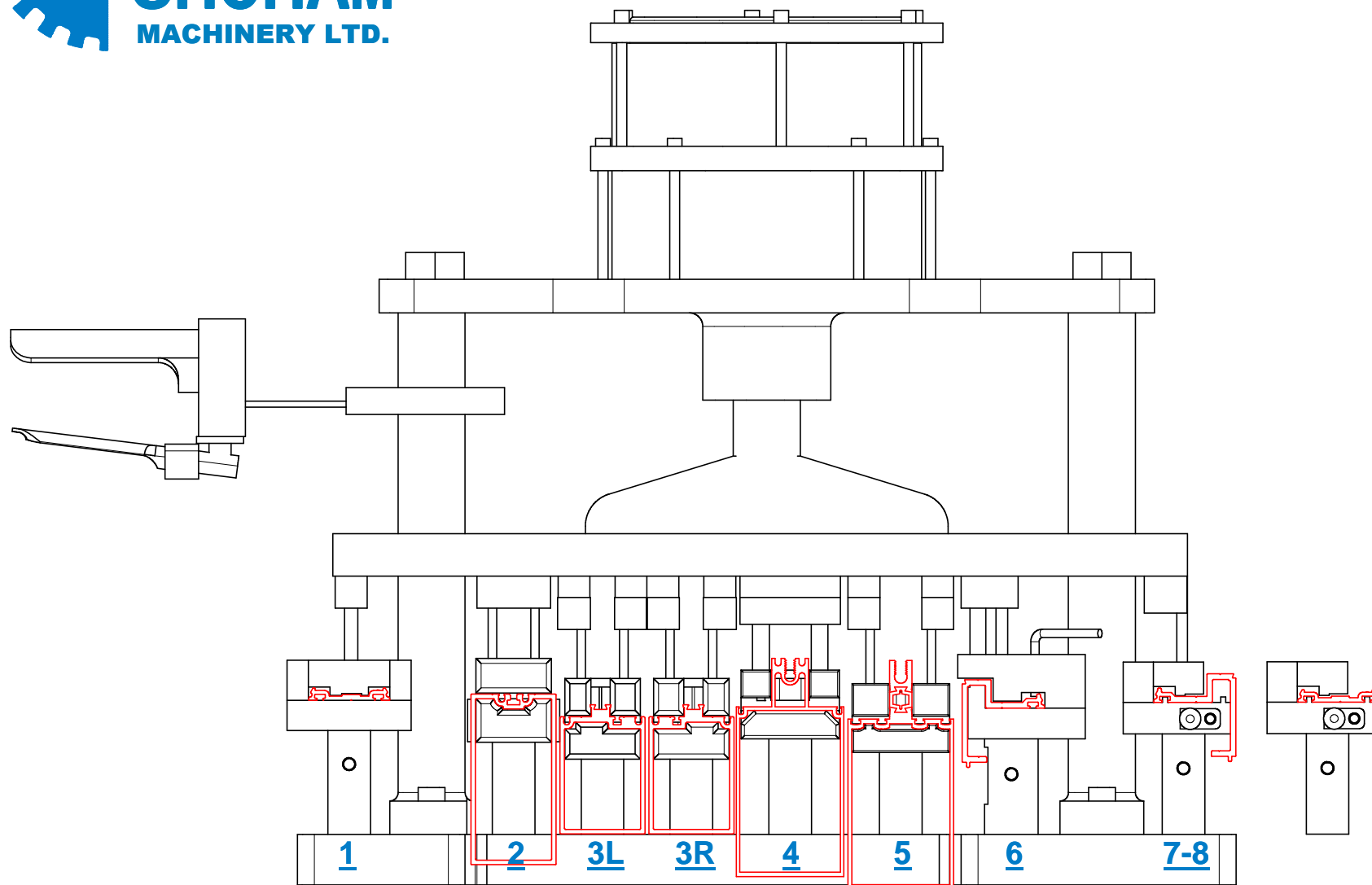
050618

THIS DRAWING IS THE PROPERTY OF SHOHAM MACHINERY LTD AND ITS SUBSIDIARIES AND MUST NOT BE COPIED OR REPRODUCED WITHOUT THEIR PERMISSION
10 HaKishor St. Holon Industrial-Zone 5886703, Israel Tel. +972-3-6797600 Fax. +972-3-6830213

www.shoham-machinery.com info@shoham-mach.co.il



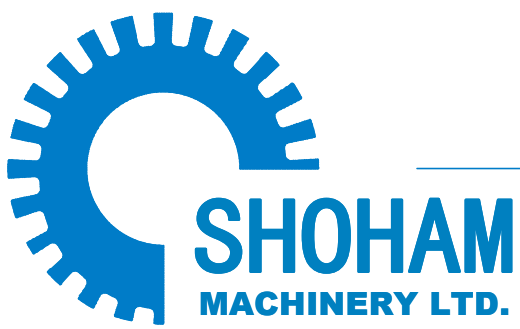
Model Alumicor AL-605 for series 2200TW&2500&2600



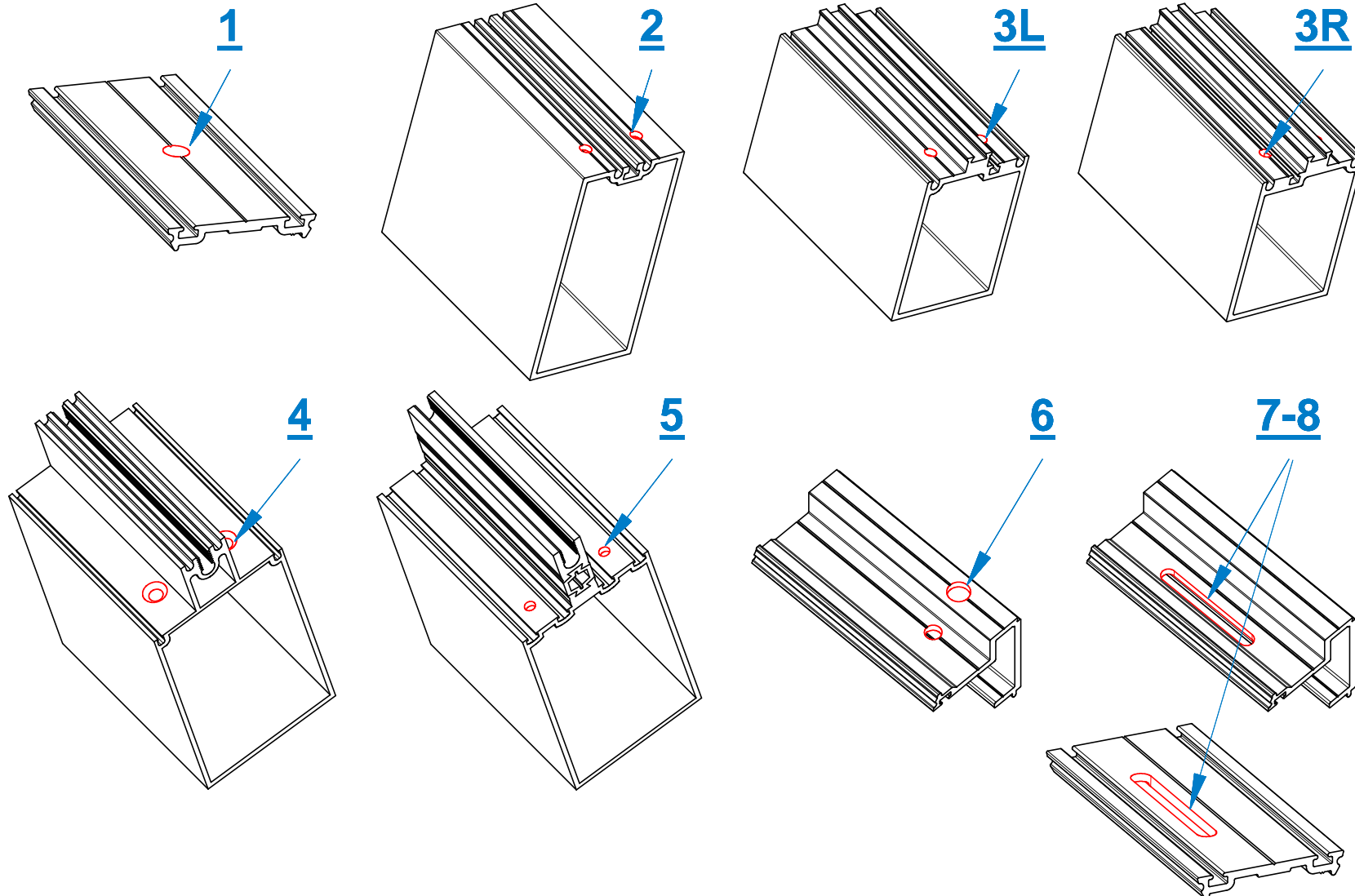
050618

THIS DRAWING IS THE PROPERTY OF SHOHAM MACHINERY LTD AND ITS SUBSIDIARIES AND MUST NOT BE COPIED OR REPRODUCED WITHOUT THEIR PERMISSION
10 HaKishor St. Holon Industrial-Zone 5886703, Israel Tel. +972-3-6797600 Fax. +972-3-6830213

www.shoham-machinery.com info@shoham-mach.co.il



Model Alumicor AL-605 for series 2200TW&2500&2600

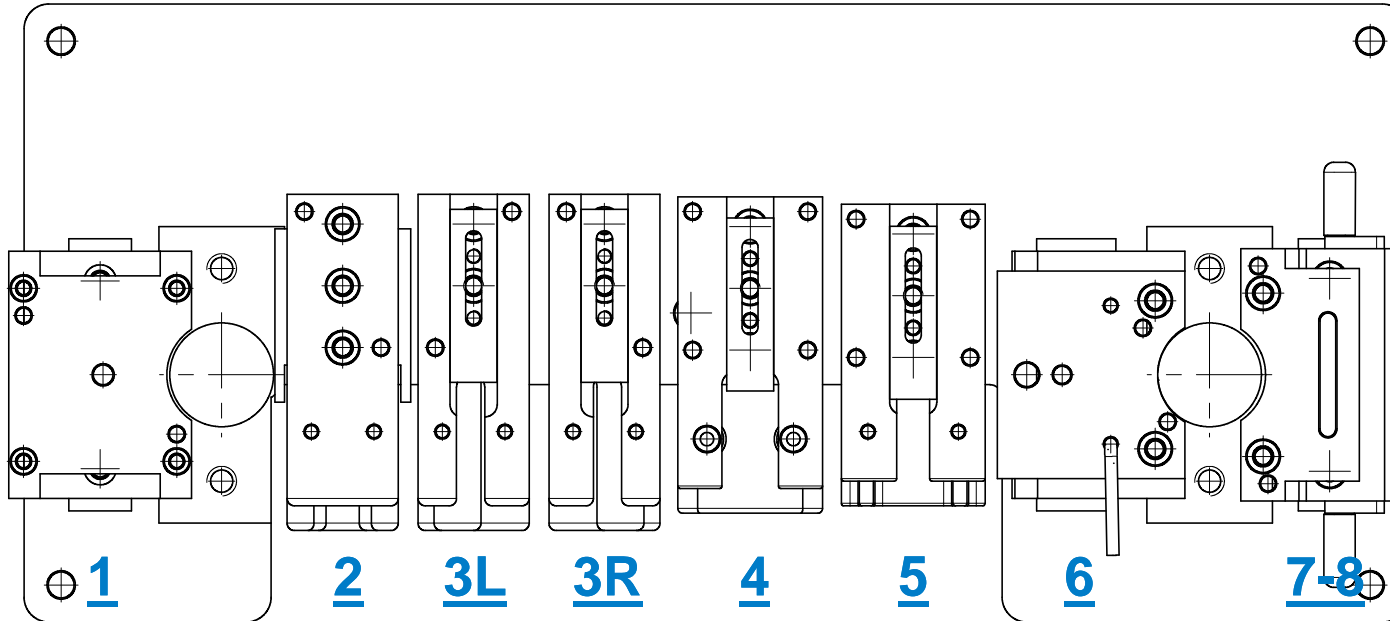


050618

THIS DRAWING IS THE PROPERTY OF SHOHAM MACHINERY LTD AND ITS SUBSIDIARIES AND MUST NOT BE COPIED OR REPRODUCED WITHOUT THEIR PERMISSION
10 HaKishor St. Holon Industrial-Zone 5886703, Israel Tel. +972-3-6797600 Fax. +972-3-6830213

www.shoham-machinery.com info@shoham-mach.co.il

Model Alumicor AL-605
for series 2200TW&2500&2600



STATION	SERIAL	DESCRIPTION
1	AL605-1	Alumicor Pressure Plate hole 8mm for 2200TW series
2	AL605-2	Alumicor SSG Mullion end-punch without csk for 2200TW series
3L	AL605-3L	Alumicor CAPPED Mullion end-punch without csk for 2200TW series
3R	AL605-3R	Alumicor CAPPED Mullion end-punch without csk for 2200TW series
4	AL605-4	Alumicor Mullion end-punch including csk for 2500 series
5	AL605-5	Alumicor Mullion end-punch without csk for 2600 series
6	AL605-6	Alumicor FLUSH DOOR ADAPTOR hole 7mm and hole 9.5mm for 2200TW series
7-8	AL605-7-8	Alumicor FLUSH DOOR ADAPTOR drainage slot 6.35x50mm for 2200TW series
7-8	AL604-7-8	Alumicor Pressure Plate drainage slot 6.35x50mm for 2200TW series

050618