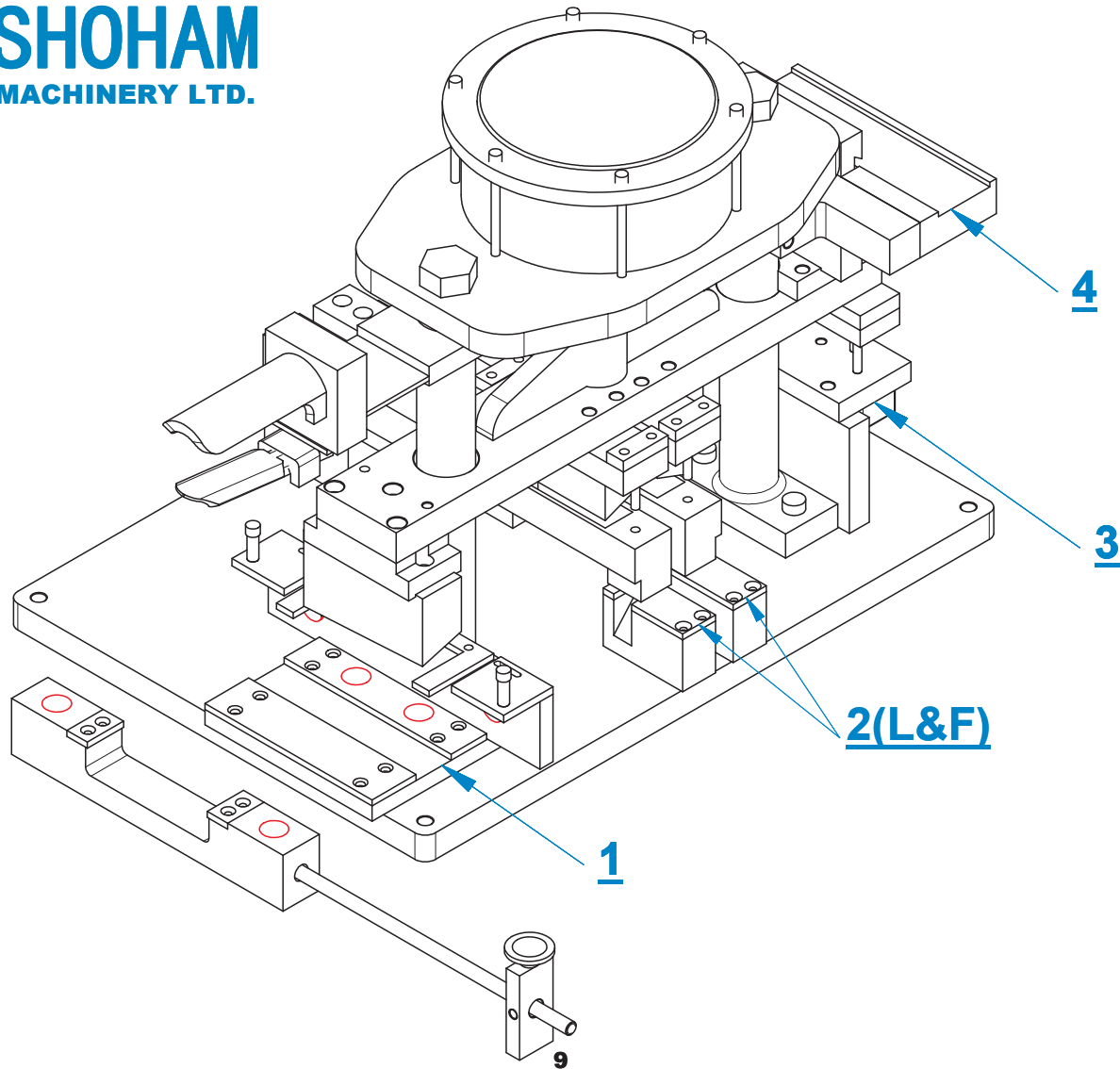
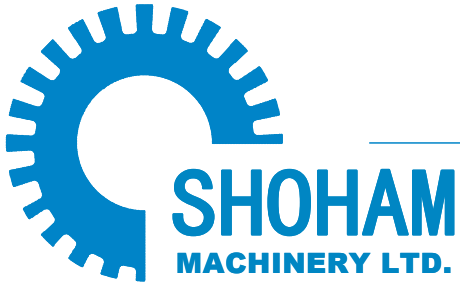


## Pneumatic press Model Alumicor AL-603 for series 3400

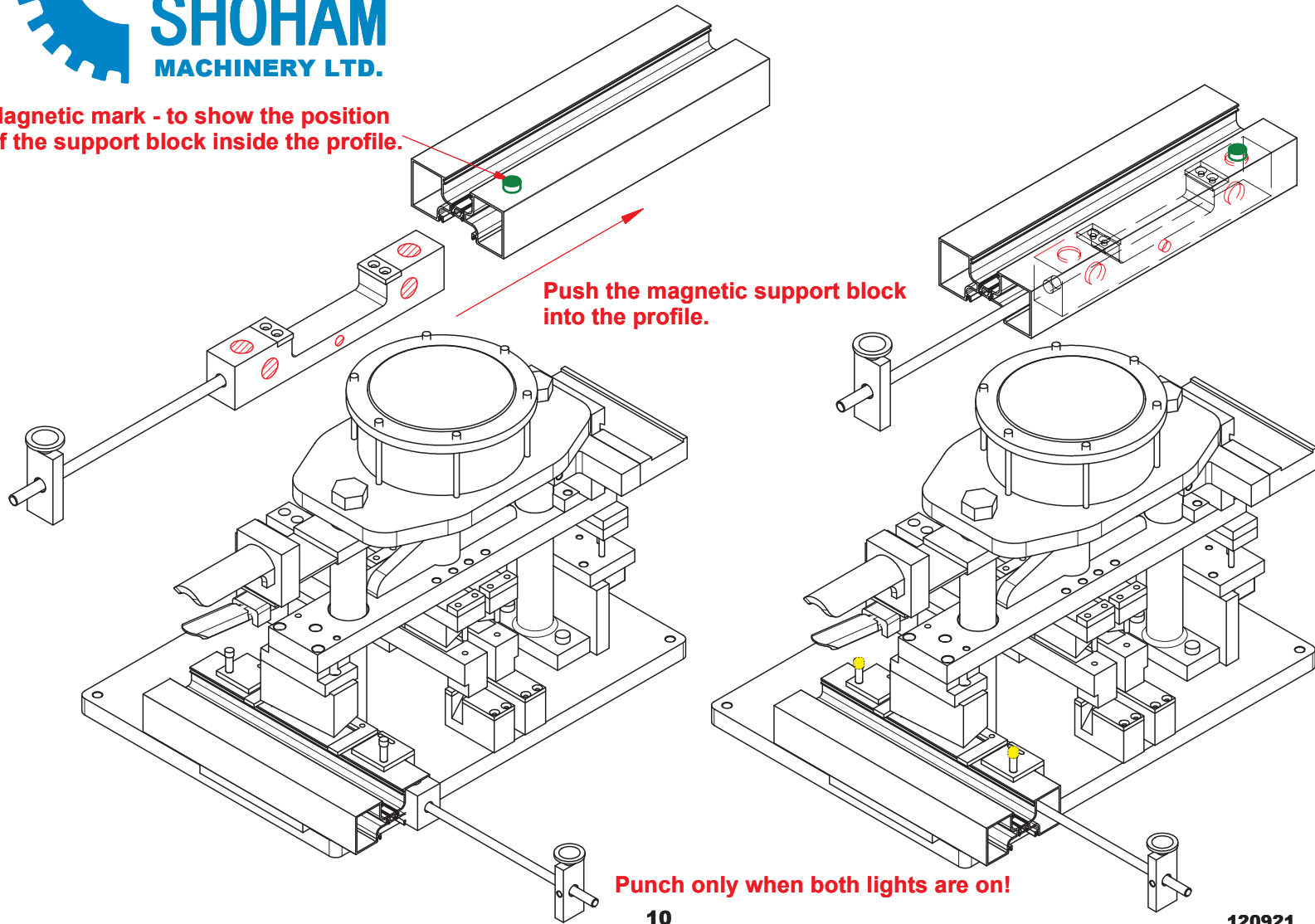


120921



## Model Alumicor AL-603 for series 3400

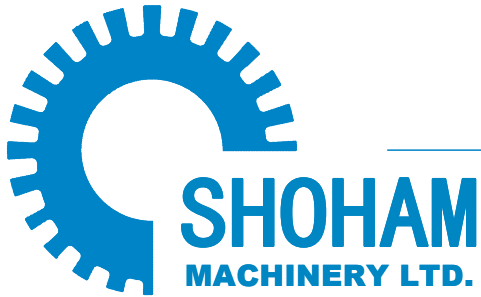
Magnetic mark - to show the position  
of the support block inside the profile.



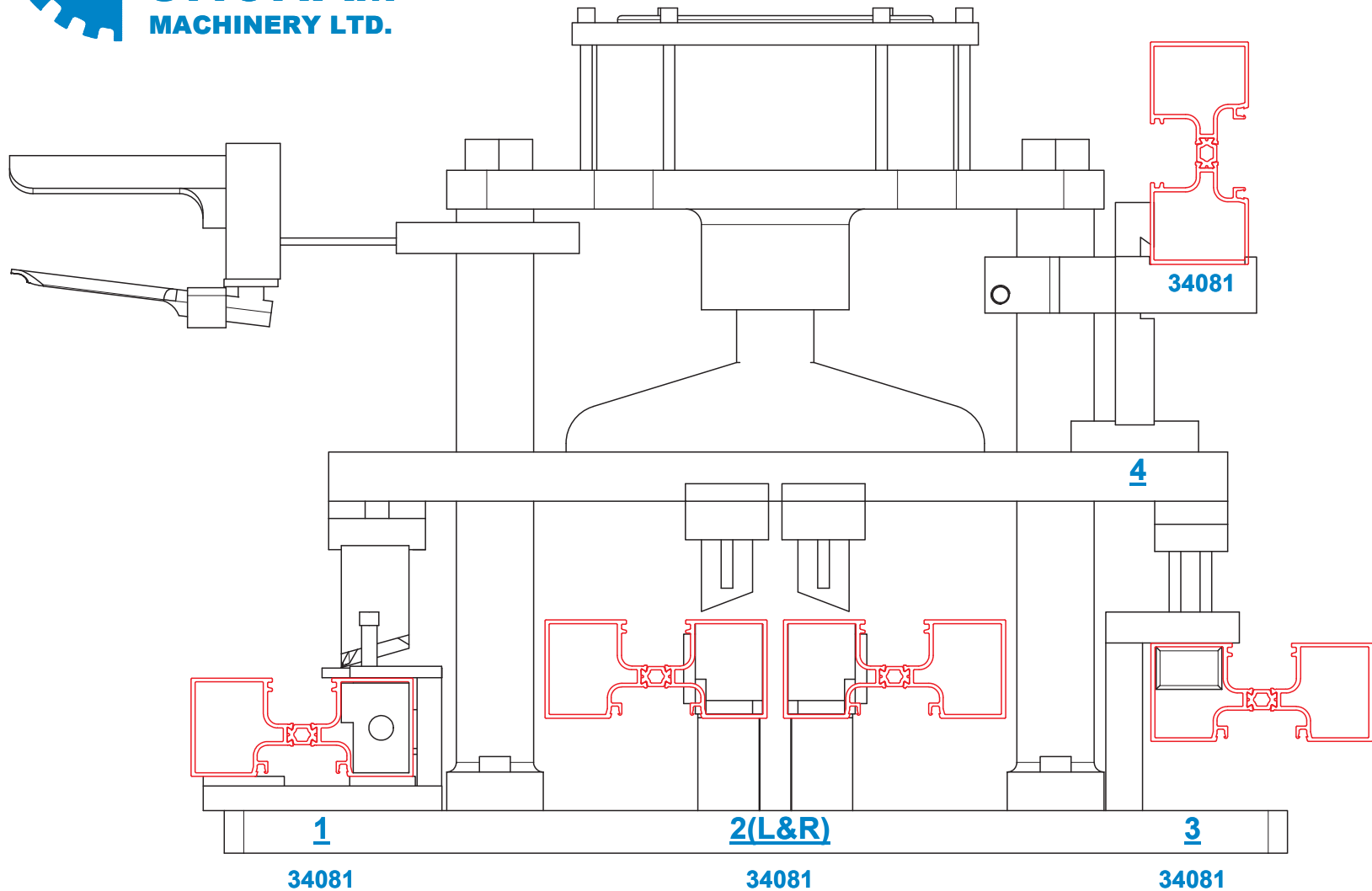
Punch only when both lights are on!

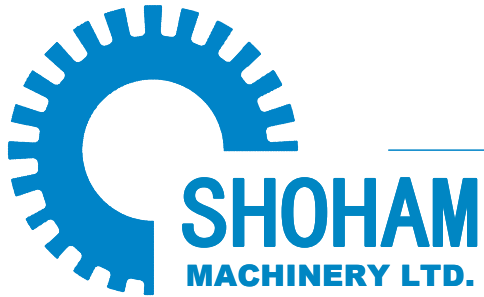
10

120921



# Model Alumicor AL-603 for series 3400





## Model Alumicor AL-603 for series 3400

