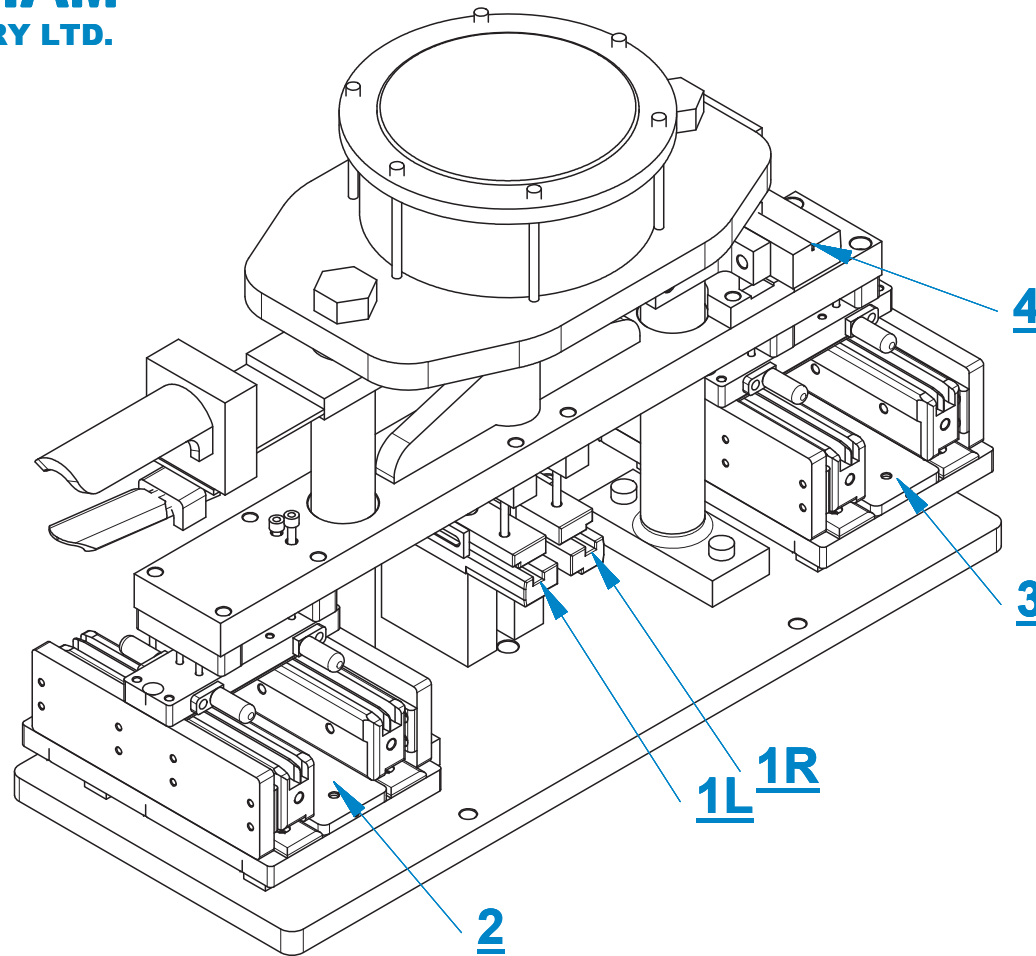
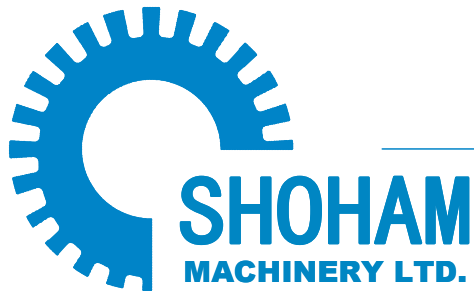
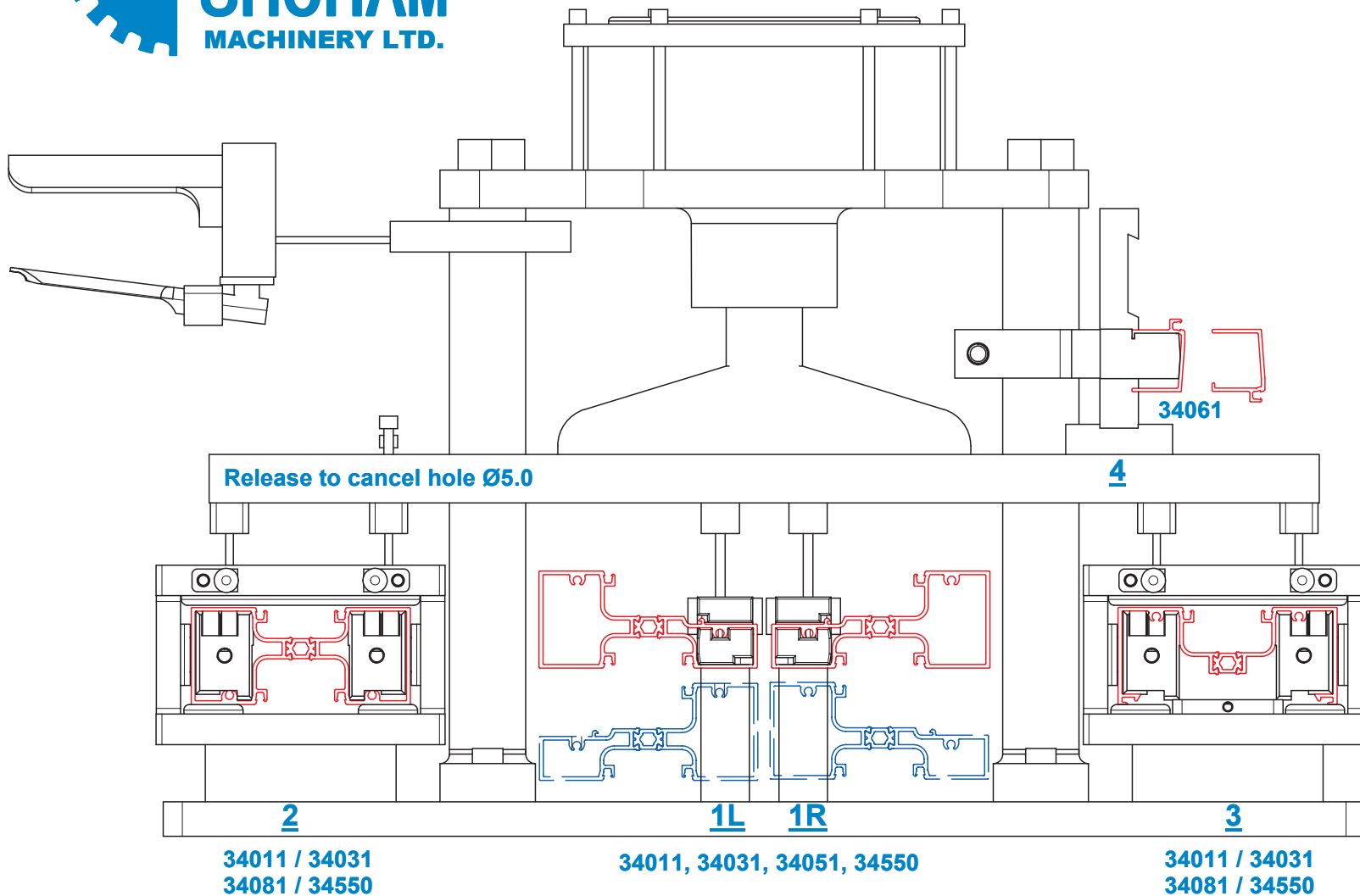


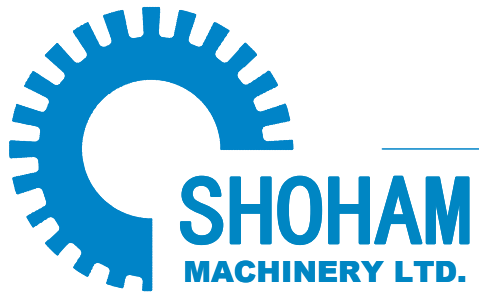
## Pneumatic press Model Alumicor AL-612.1 for series 3400



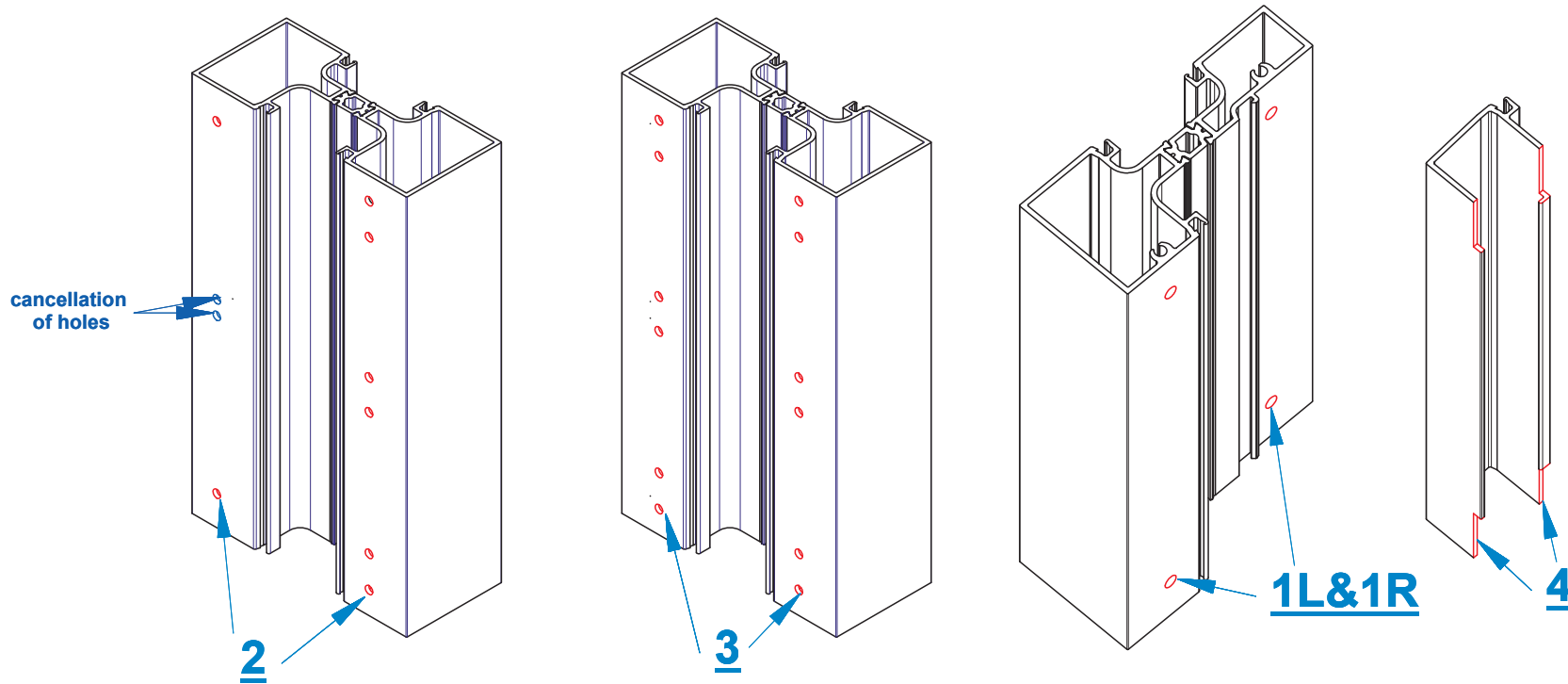


## Model Alumicor AL-612.1 for series 3400



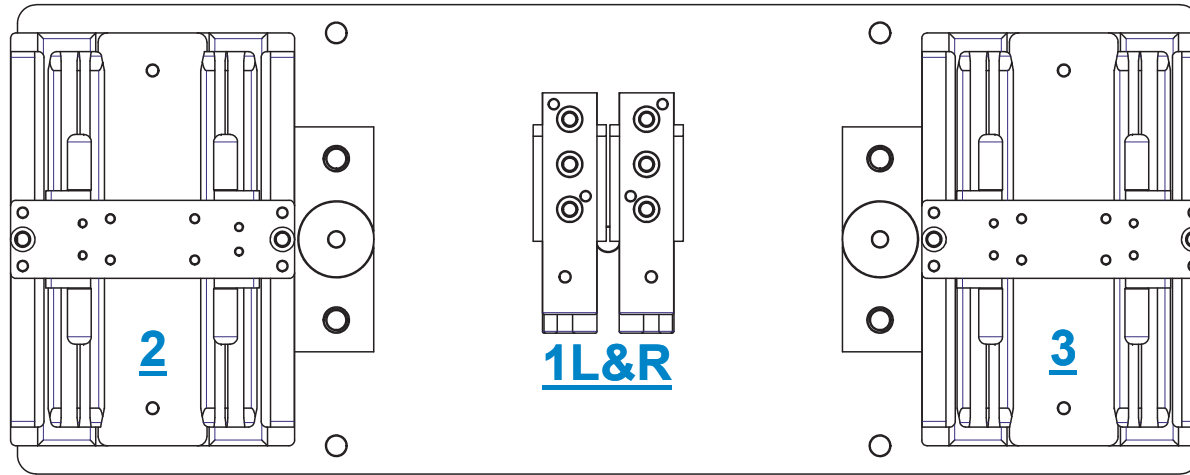
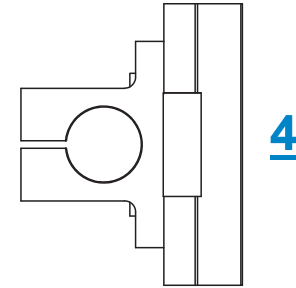


## Model Alumicor AL-612.1 for series 3400





e Gi f 3M3I a60MuroL- .L  
1602f 0f 24 ss



| STATION | SERIAL | DESCRIPTION  |
|---------|--------|--|
| 1L&R    | 3400   | 1 hole dia 5.5 mm from the end 19.0 mm - profiles 34011, 34031, 34051, 34550 |
| 2       | 3400   | 4 x holes dia 4.0 mm with cancellation - profiles 34011, 34031, 34081, 34550 |
| 3       | 3400   | 4 x holes dia 4.0 mm - profiles 34011, 34031, 34081, 34550                   |
| 4       | 3400   | slot 25.0 mm - profile 34061   |

L-

Lcs - L