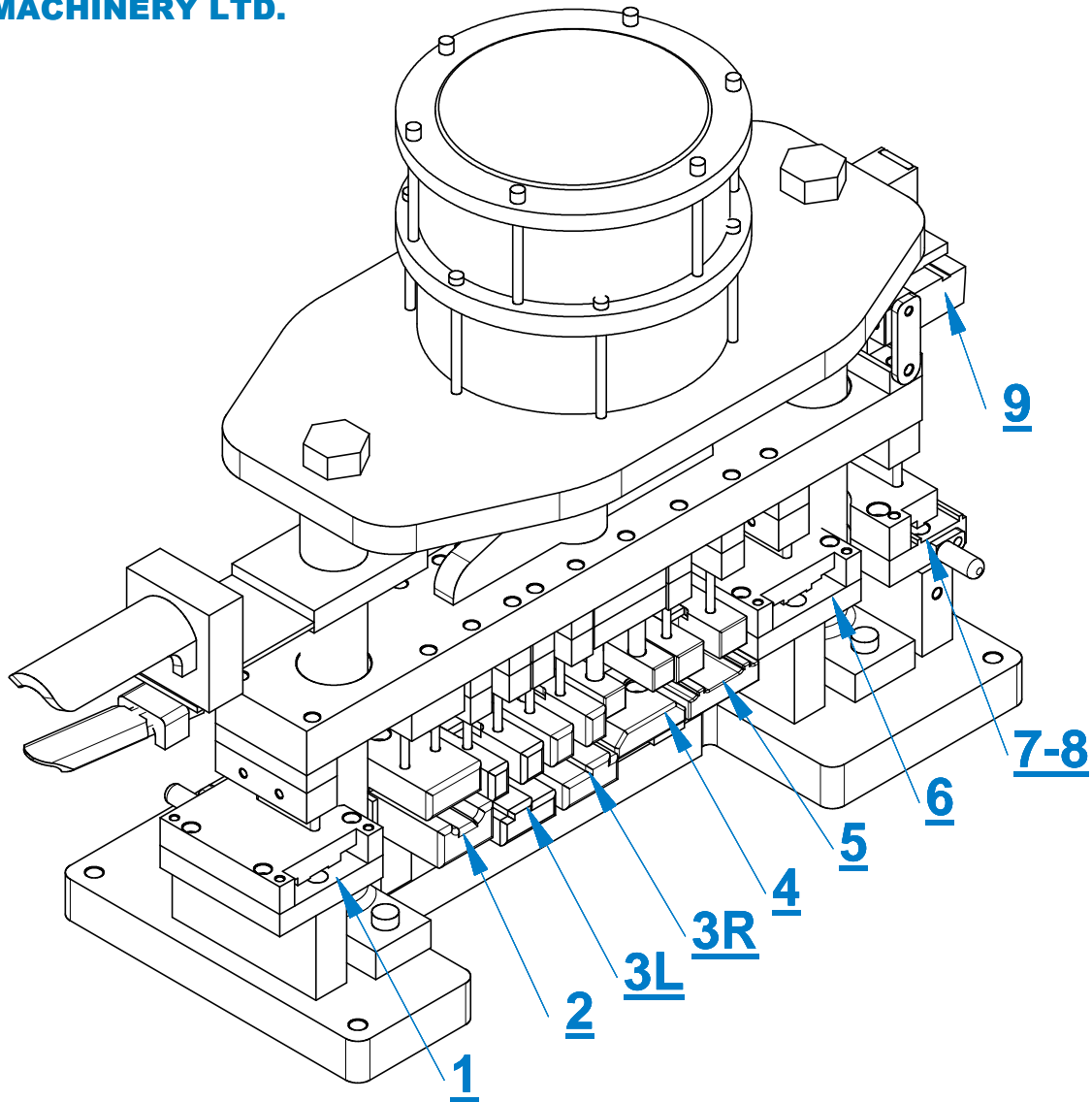
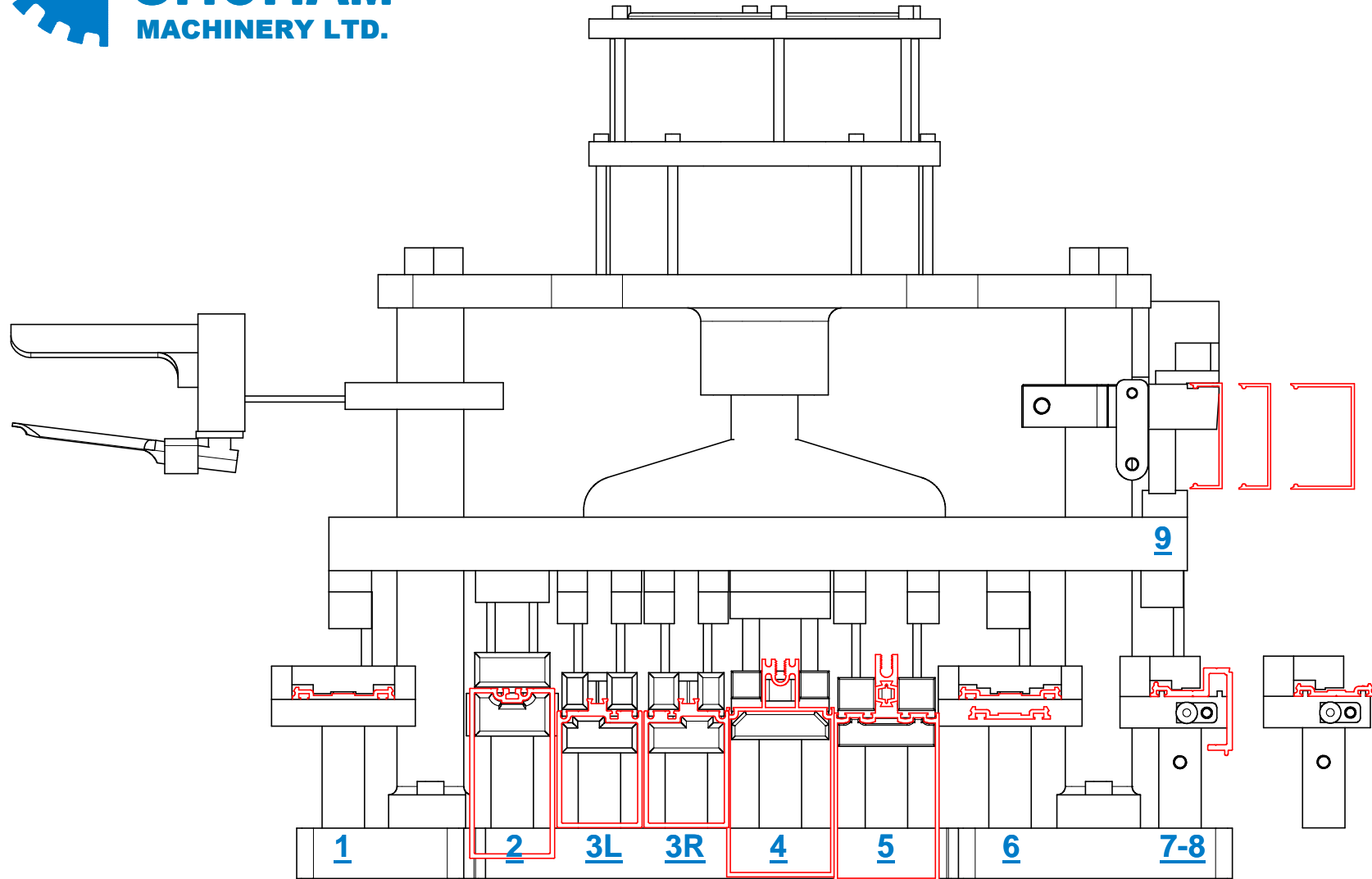


**Pneumatic press Model Alumicor AL-607
for series 2200&2200TW&2500&2600**

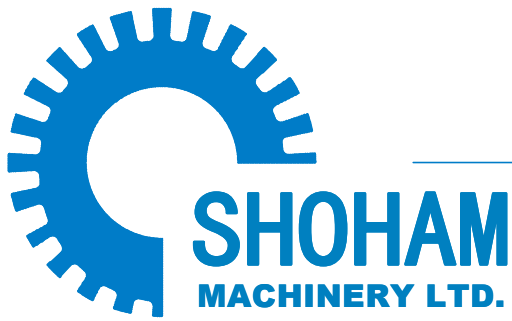


240319

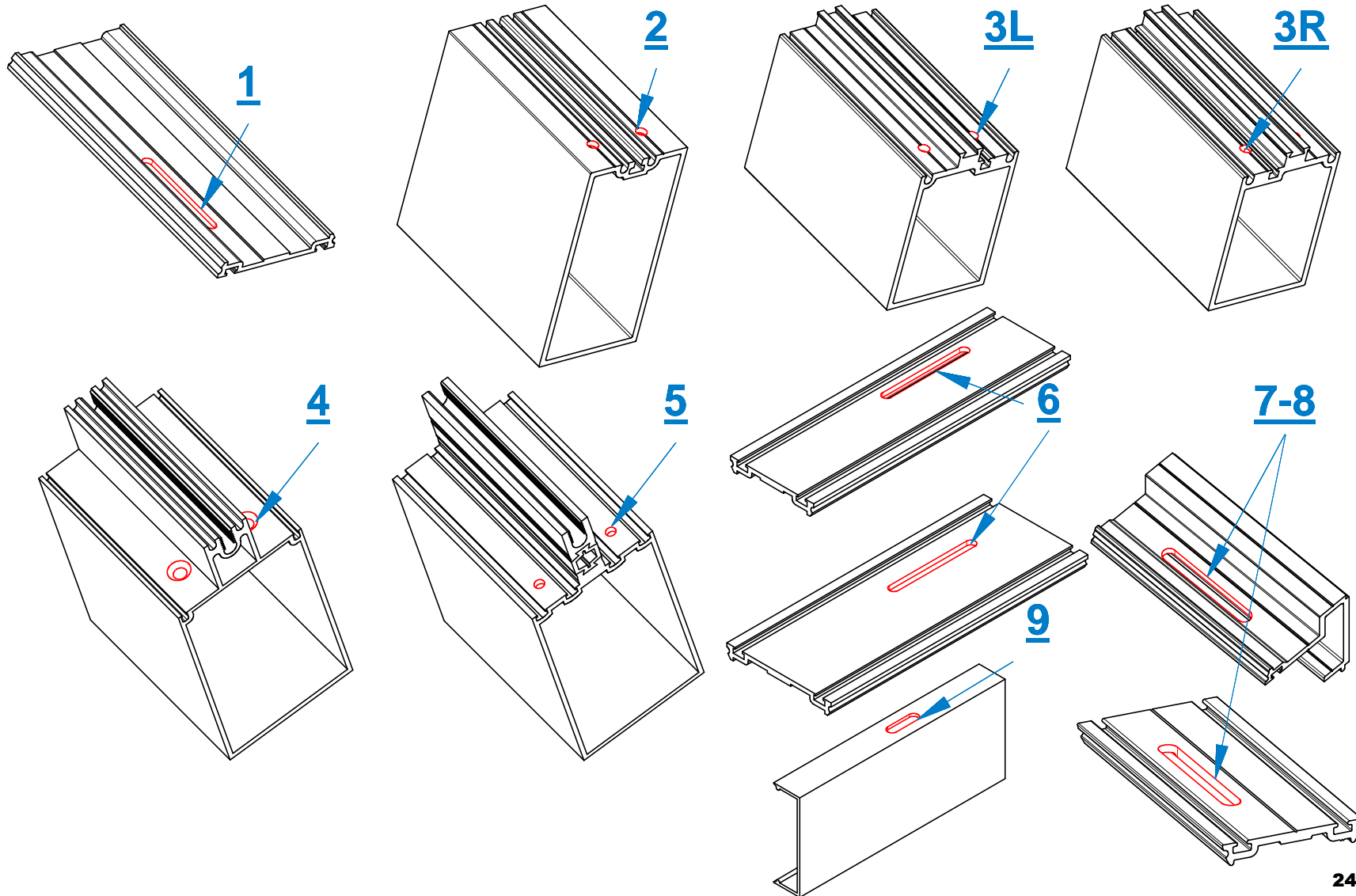
Model Alumicor AL-607
for series 2200&2200TW&2500&2600



240319

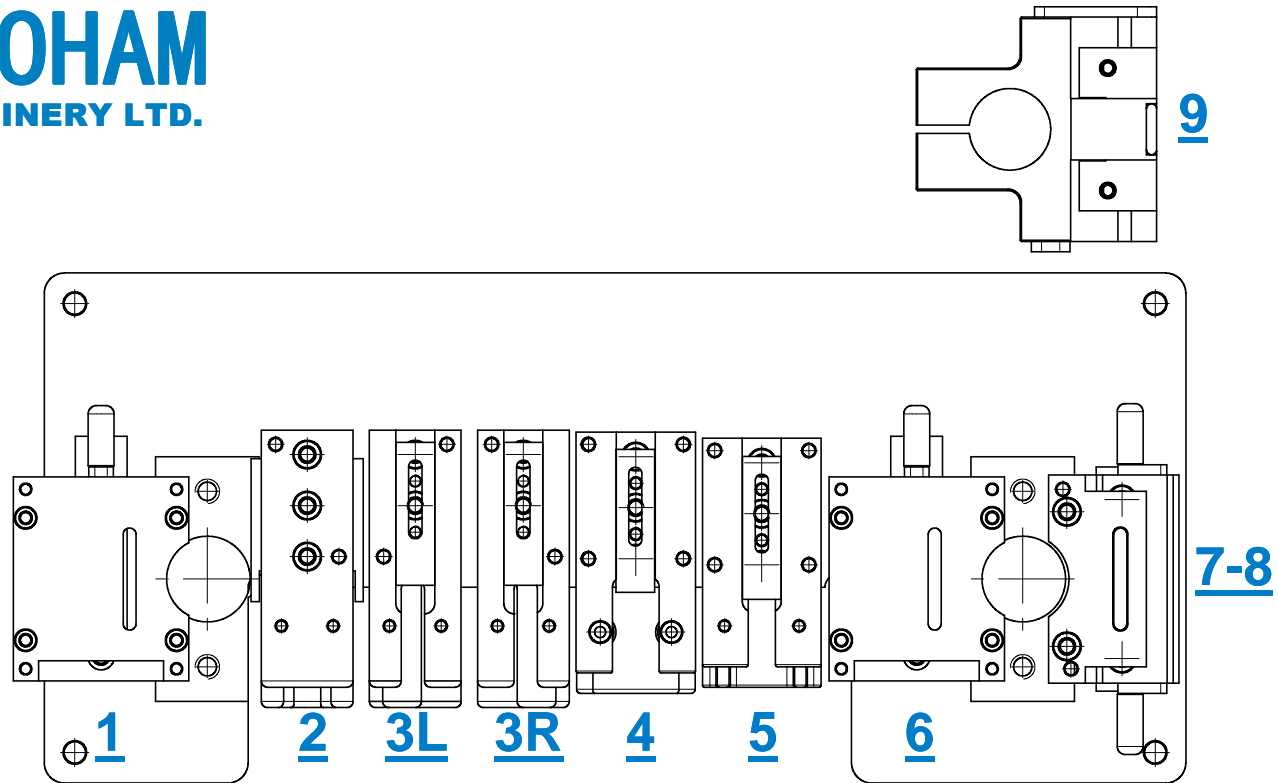


Model Alumicor AL-607 for series 2200&2200TW&2500&2600



240319

Model Alumicor AL-607
for series 2200&2200TW&2500&2600



STATION	SERIAL	DESCRIPTION
1	AL601-1	Alumicor Pressure Plate drainage slot 6.35x50mm for 2500 series
2	AL605-2	Alumicor SSG Mullion end-punch without csk for 2200TW series
3L	AL605-3L	Alumicor CAPPED Mullion end-punch without csk for 2200TW series
3R	AL605-3R	Alumicor CAPPED Mullion end-punch without csk for 2200TW series
4	AL605-4	Alumicor Mullion end-punch including csk for 2500 series
5	AL605-5	Alumicor Mullion end-punch without csk for 2600 series
6	AL601-5	Alumicor Pressure Plate drainage slot 6.35x50mm for 2200&2600 series
7-8	AL605-7-8	Alumicor FLUSH DOOR ADAPTOR drainage slot 6.35x50mm for 2200TW series
7-8	AL605-7-8	Alumicor Pressure Plate drainage slot 6.35x50mm for 2200TW series
9	AL601-6	Alumicor Cap drainage slot 6x22mm for 2200&2500 series

240319