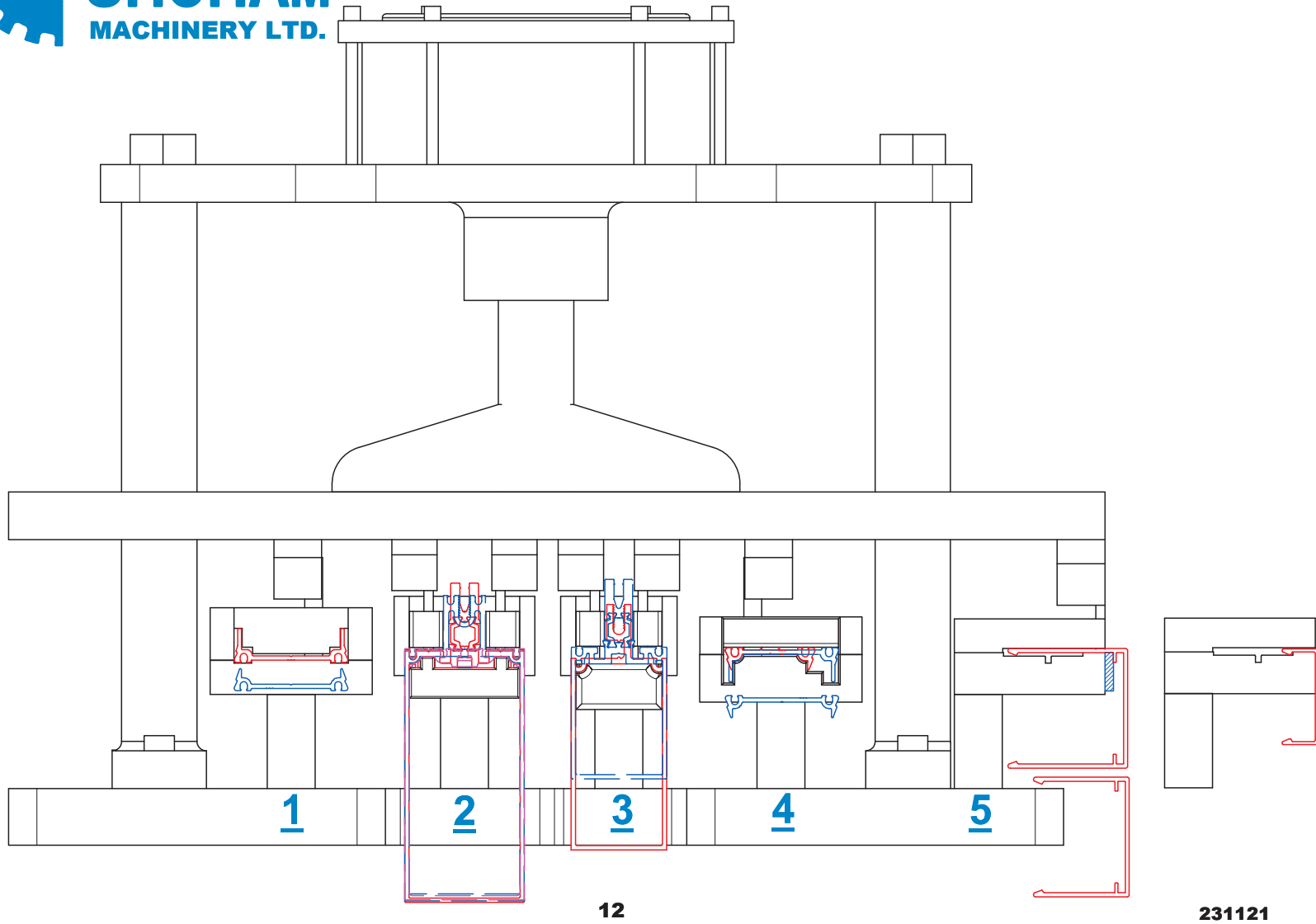
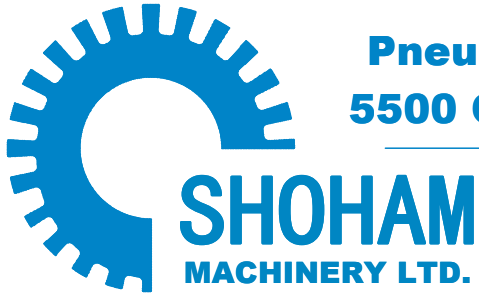




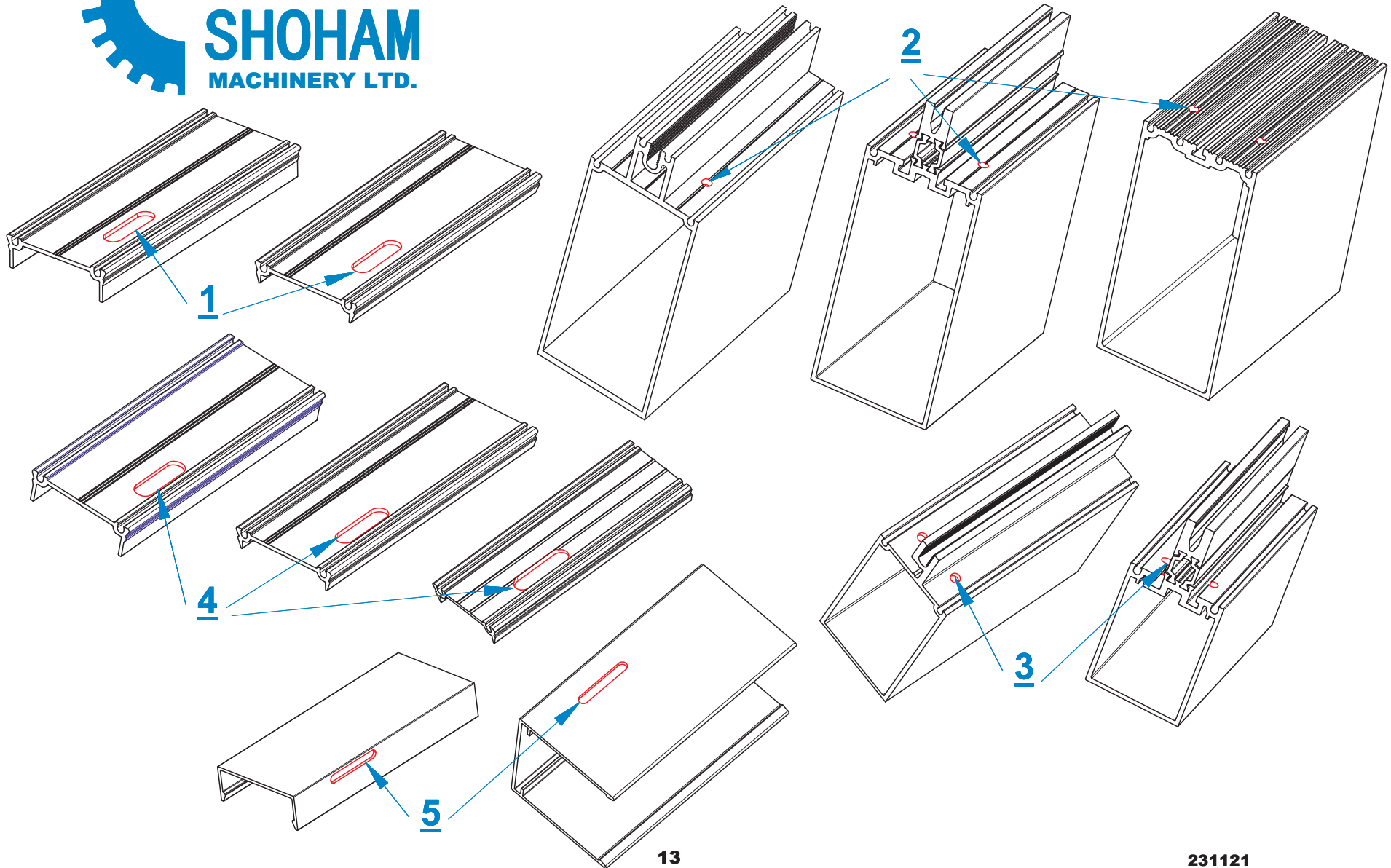
**SHOHAM**  
MACHINERY LTD.

**Pneumatic press Model WS-501 for series SSG C/W & 5500 C/W & 5500 HTP C/W & 5400 HTP C/W & 5400 C/W**





**Pneumatic press Model WS-501 for series SSG C/W & 5500 C/W & 5500 HTP C/W & 5400 HTP C/W & 5400 C/W**

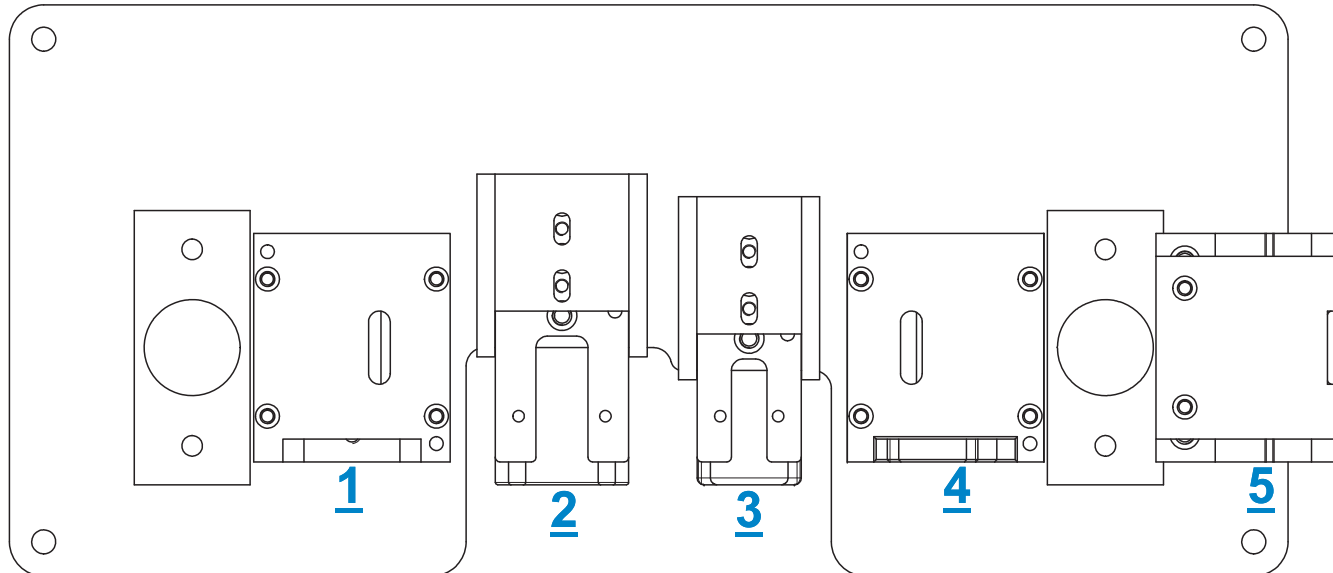


13

231121



**Pneumatic press Model WS-501 for series SSG C/W & 5500 C/W & 5500 HTP C/W & 5400 HTP C/W & 5400 C/W**



STATION	DESCRIPTION
1	Windspec Pressure Plate drainage slot 9.5x32mm for 5500 HTP C/W, SSG C/W series
2	Windspec Mullion end-punch without csk for 5500 HTP C/W, 5500 C/W, SSG C/W series (without the profiles C-55020, C-55024, C-55044, C-55050)
3	Windspec Mullion end-punch without csk for 5400 HTP C/W, 5400 C/W
4	Windspec Pressure Plate drainage slot 9.5x32mm for 5400 HTP C/W, 5400 C/W, 5500 C/W series
5	Windspec Cap drainage slot 4.8x32mm for 5400 HTP C/W, 5400 C/W, 5500 HTP C/W, 5500C/W, SSG C/W series

I H

961 | 91