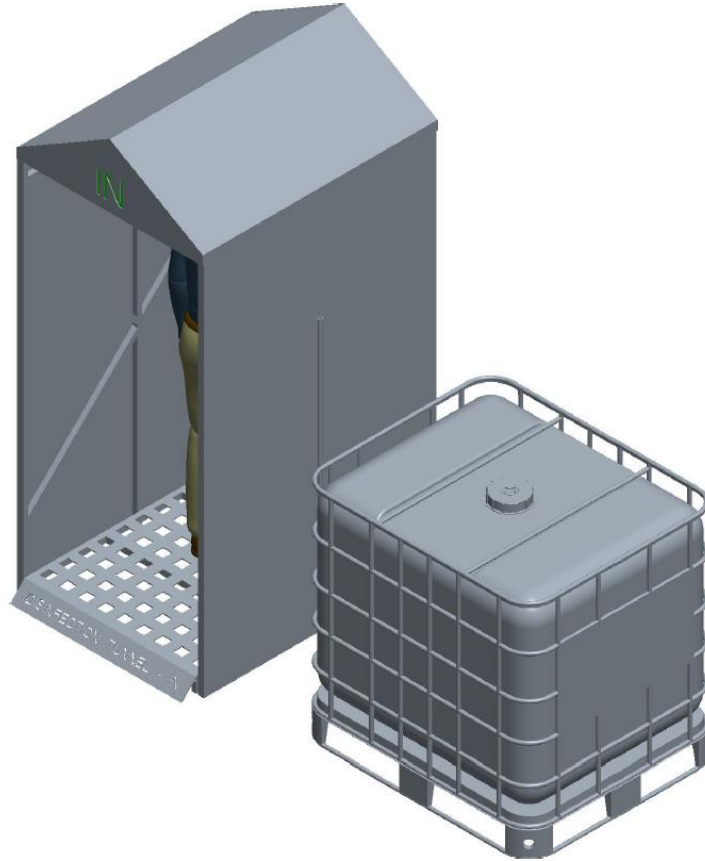


Technical Proposal
for
Sanitizing / Disinfection Gateway



Note: Figure for reference purpose only, size may vary as per application

Submitted By

LESOKART

Industries Pvt. Ltd.

Lesokart Industries Private Limited

Registered Office Address: Plot No 33-34, Gut No 46, Ghanegaon MIDC,
Aurangabad-431136 Maharashtra, India



PSP TechnoCADD Ancillary Private Limited

Registered Office Address: Flat No. 16/1-1, E-46, Gulmohar Colony,
N-5 CIDCO, Aurangabad – 431001

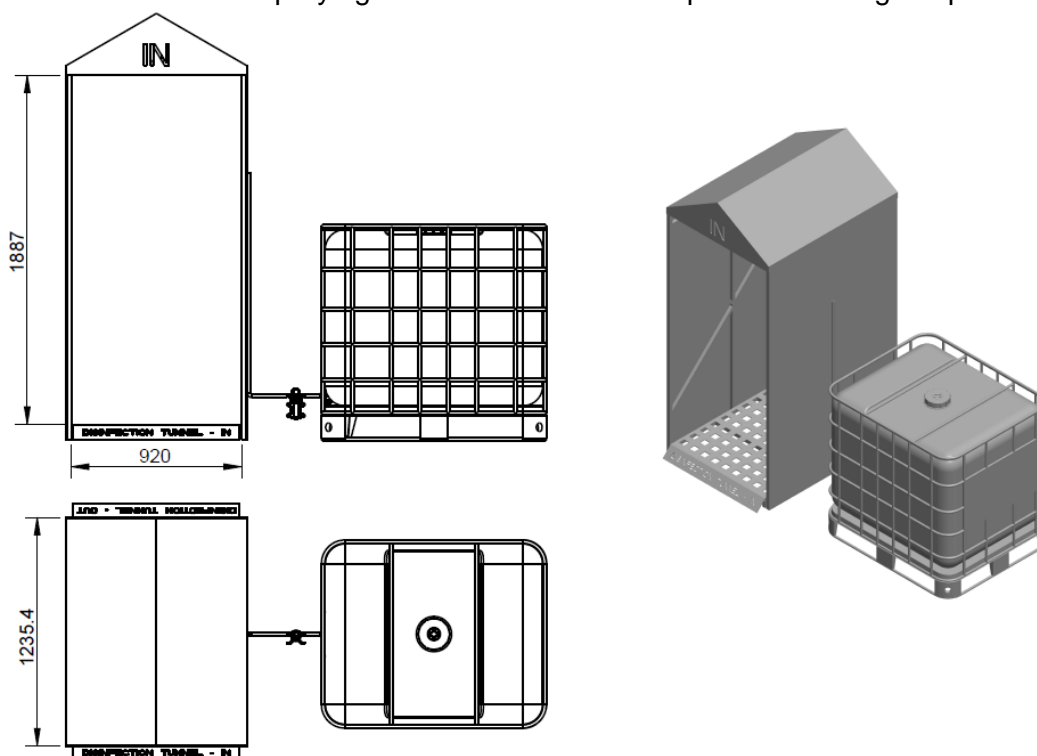
Problem Definition

As we know, the entire world has been fighting with SARS COVID-19 Pandemic from the last 4 months and unfortunately, now India is also a critical region, considering the increasing number of cases. As corona transmits rapidly from one person to another, social distancing and home quarantine is the only solution at the moment. However, several individuals still need to step outside their homes for various unavoidable reasons in the lockdown period, so the risk of virus transmission through contaminated surfaces remains.

An important factor is to understand and control the level of infection spread from healthcare and organizational point of view. It becomes extremely critical for a decision-maker or any premises to understand that their facilities need to be sanitized at the entry and exit instances in order to reduce the amount of infection which can be carried by an employee or any other person walking into the premises.

Proposed Solution

PSP TechnoCADD Ancillary Private Limited is proposing a gateway which to be installed at the entrance for spraying disinfectants over each person entering the premises.



Mode of operation

Person to enter the gateway where nozzles start spraying the disinfectant. People to walk slowly with their palms of hand facing forward. The spray will get activated automatically by sensing the presence of person. Along with no manual intervention to start the cycle, also confirms optimum usage of the disinfectant. The disinfectant is sprayed for a period of 10-15 seconds, which is customizable as per requirement. Solution is efficient enough to kill the virus

on person body/ clothes.

Technical Specifications

Tunnel Dimension	2000 x 1200 x 2500 mm	Customizable
Frame material	MS Powder coated/ Aluminium extrusion	
Wall material	Acrylic and plastic curtain	
Number of sprays	9 Nos	Customizable
Time for spraying	10-15 secs	Customizable
Tank Capacity	100 / 200 / 300 litres	Customizable
Power requirements	1 Ph 240 V AC / 3 Ph 415 V AC	

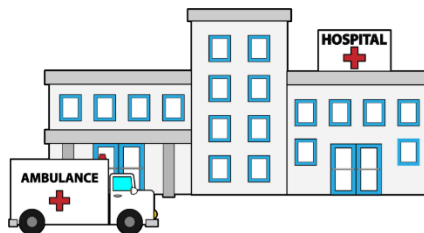
Key Features

- Nozzle which uniformly distributes an average droplet size within a pressure range
- No Human Interface
- Auto control of spray nozzle based on motion sensor
- Buzzer system after completing a cycle to intimate the person and monitor the time

Application Areas



Government Offices



Hospital



Manufacturing Industries



Airports



Railway Station



Schools & Colleges



Shopping Mall



Commercial Building & Hotels



Residential buildings