

## N Male Open/Short/Load - Precision 42 dB CAL KIT



- 42 dB Return Loss from DC-6GHz
- Impedance and length matched
- Open, short & high quality load in one
- RLT (Replaceable Load Technology)
- Usable to 18GHz for Analyzer Calibration (26dB typ)

The **NMOSPL-6** provides excellent 42dB return loss performance for the most accurate single-ended measurements. The return loss below 6 GHz is exceptionally good. This OSL is popular with Sitemaster, Field-fox, SiteHawk and other antenna and cable analyzers. A ridge identifies the short end, while a wide groove provides tactile indication of the open end; allowing use in poor lighting conditions. Usable above 6 GHz (to 18GHz) for network analyzer calibration. Designed and Made in the USA.

**Replaceable Load** - The load can easily be replaced. Replaceable Load Technology allows simple replacement of the 50Ω load, which lowers the cost of maintaining your cal kits. To Replace - Simply order the NMPL6 and use a 5/64" (2mm) hex key



### Electrical Specifications:

**Impedance:** 50 Ohms

**Frequency:** 6 GHz (usable to 18 GHz)

**Effective Length:** 26.5mm (O/S)

**Load Power Rating:** 2W (33dBm)

**Coefficients for open:**

Calibration Coefficients	Co	C1	C2	C3	Delay	Loss
	167.8	-62.0	4.6	-0.032	88.3ns	2.2

### Mechanical Specifications:

**Weight:** 5oz (140g) typical

**Packaging:** PE box

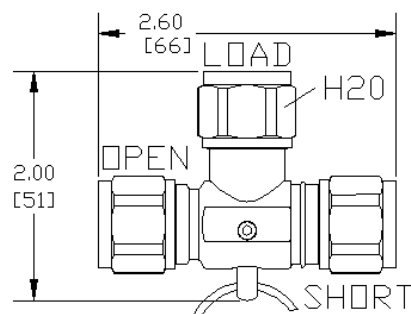
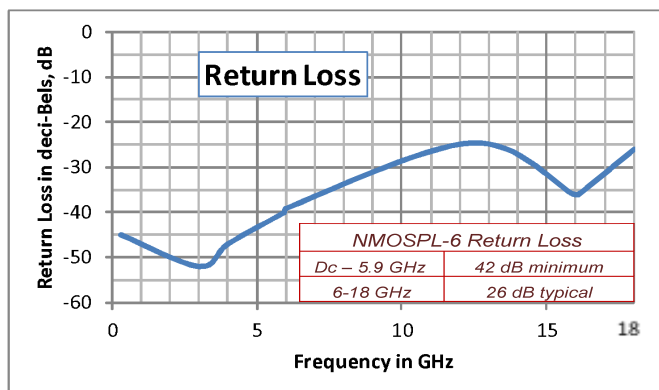
**Accessories:** Detachable lanyard (included)

**Torque:** 10 in-lbs (1.1N-m)

No gasket for easy connection

**Materials:** Brass w/ Gold finish pins

**Cycle Life:** 500 minimum



Information supplied provided on a best efforts basis. Not responsible for errors or omissions. Subject to change without notice. Please test these parts for suitability to meet your application needs. Refer to our 12 month limited warranty.