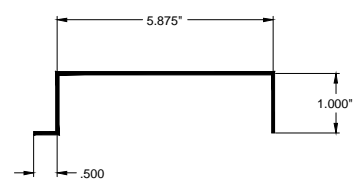
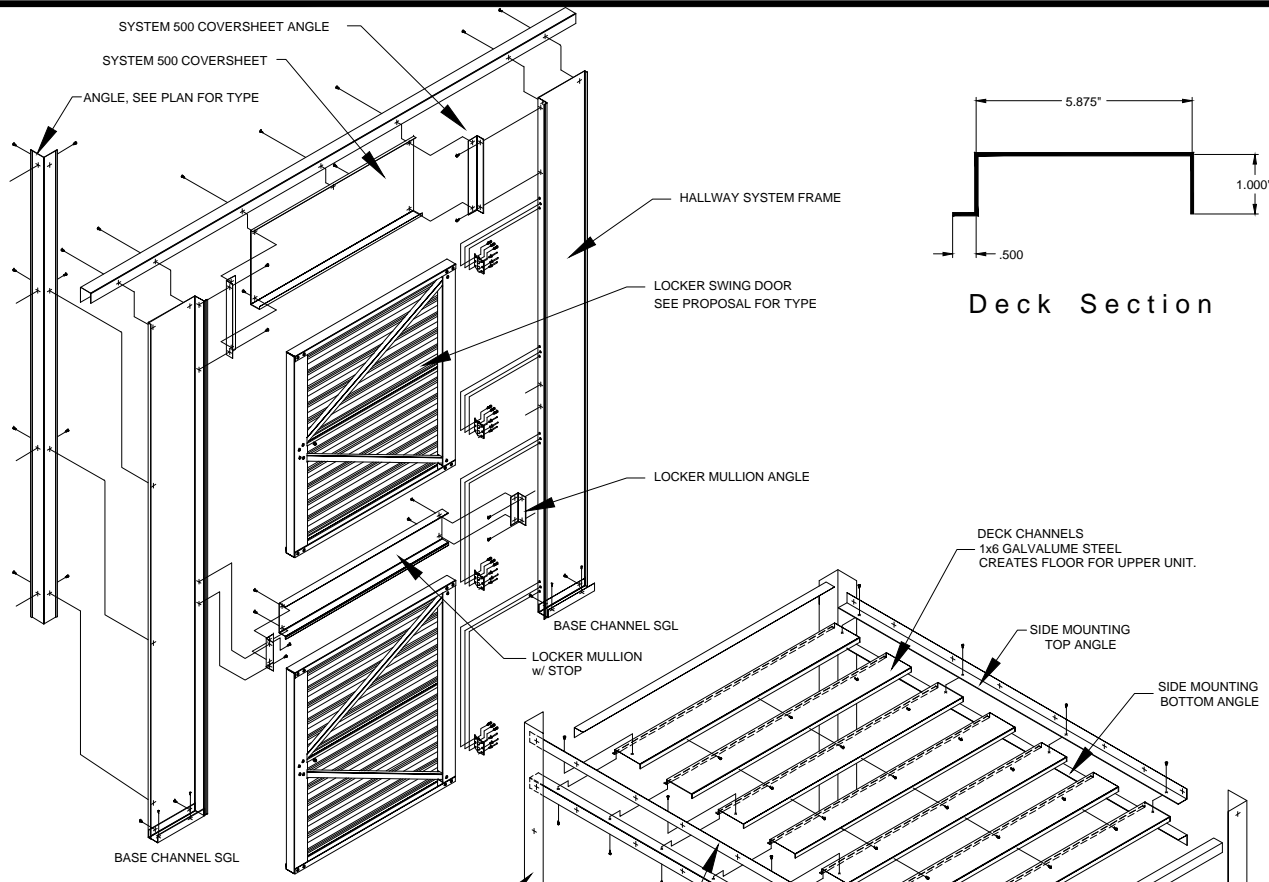


REV	DATE	ECN No.	DESCRIPTION	BY
01	06.07.13		door stop to mullion	TN



Deck Section

Locker Doors & Frames  
2- DOORS REQUIRED PER UNIT

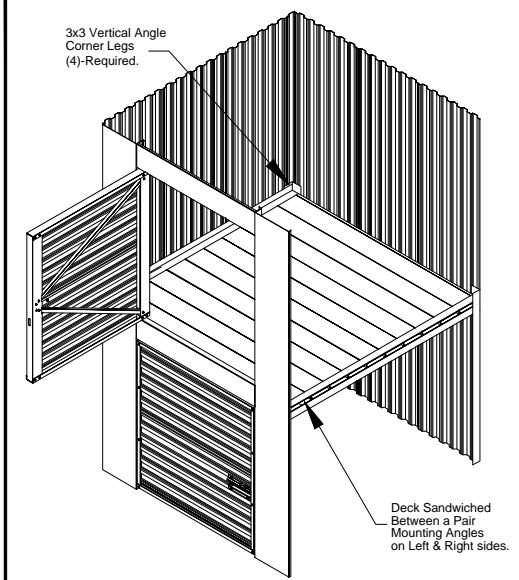
3x3 ANGLE  
CORNER LEGS  
(4)-REQD.  
(attach to partition walls)  
Length=Deck hgt+1"

Deck - Exploded  
1- DECK REQUIRED PER UNIT

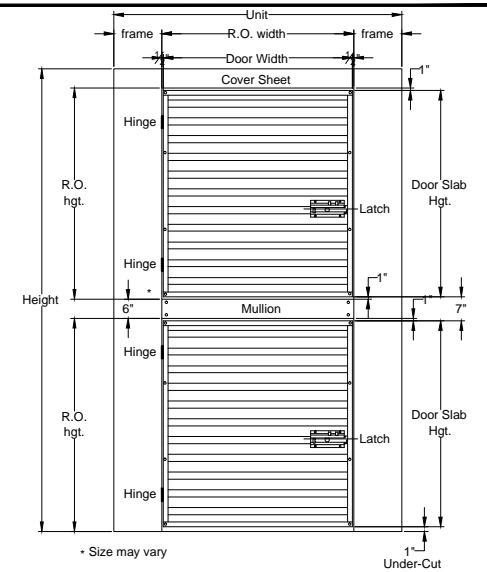
DECK INSTALLED LEVEL WITH LOCKER DIVIDER  
MULLION ABOVE FINISHED FLOOR.  
TYPICALLY MID HEIGHT OF UNIT HEIGHT.

**EXPLODED LOCKER FACE & DECK**

SEE PROPOSAL FOR DOOR TYPE (FLUSH SWING vs. CORRUGATED)



Locker Unit with Locker Deck - typical



Door & Hallway Frame Assembly



**JANUS**  
INTERNATIONAL

134 Janus International Blvd.  
Temple, Georgia 30179  
770.562.2850 Janusintl.com

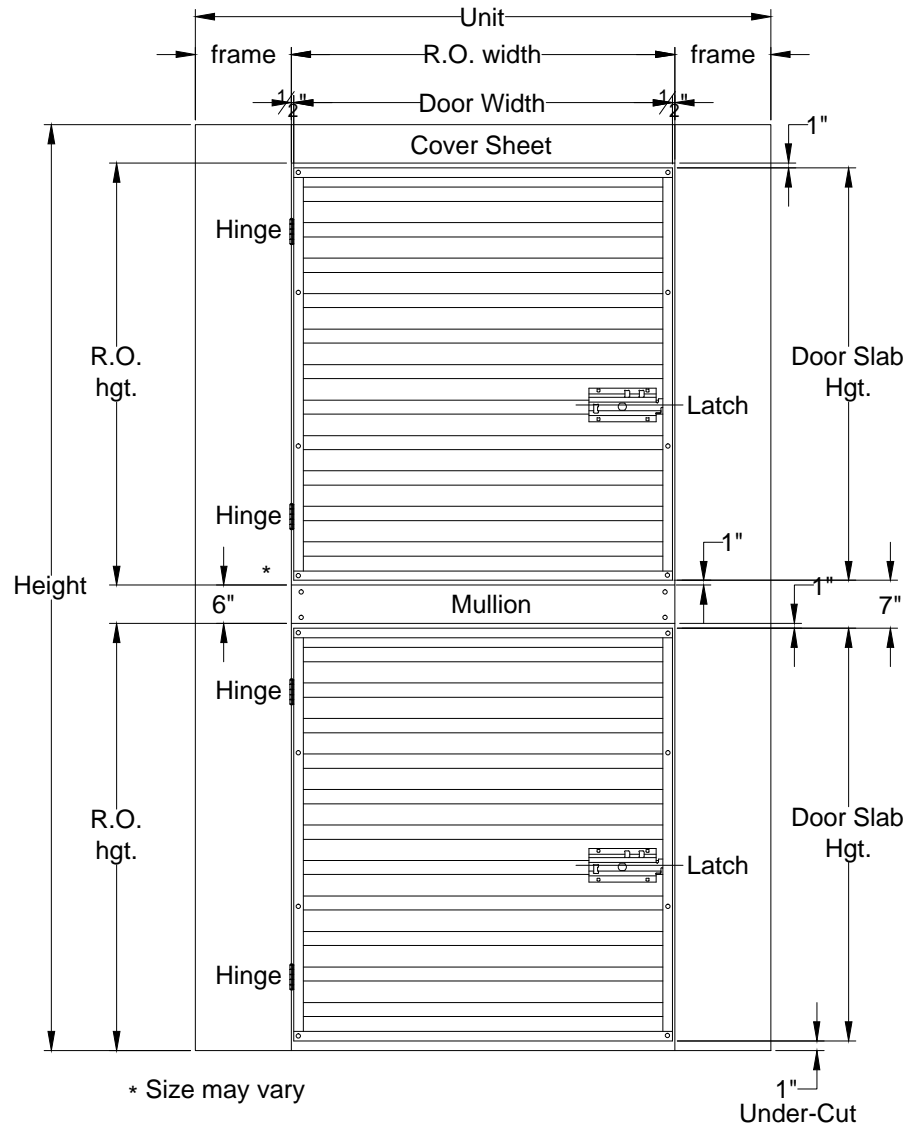
The arrangements depicted herein are the sole property of Janus International and may not be reproduced without it's written permission.

DIMENSIONS & DIMENSIONAL TOLERANCES ARE IN INCHES  
① = ±.032    ② = ±.063    ③ = ±.094    ④ = ±.125  
critical dimensions marked as shown

SCALE: NONE  
DATE: 04.18.13  
DRAWN BY: Carl W  
CHECKED BY:

PART NUMBER: -  
MANUFACTURED or PURCHASED  
MANUFACTURED  
DESCRIPTION:  
LOCKER DECK w/ Vertical Legs  
DRAWING FILE NUMBER:  
Locker Systems, Janus  
NUMBER OF SHEETS  
1 OF 1

REV	DATE	ECN No.	DESCRIPTION	BY
00				



## Double Locker Elevation (corrugated)



**JANUS**  
INTERNATIONAL

134 Janus International Blvd.  
Temple, Georgia 30179  
770.562.2850 Janusintl.com

The arrangements depicted herein are the sole property of Janus International and may not be reproduced without it's written permission.

DIMENSIONS & DIMENSIONAL TOLERANCES ARE IN INCHES  
 ① = ±.032    ② = ±.063    ③ = ±.094    ④ = ±.125  
 critical dimensions marked as shown

SCALE: NONE

DATE: 01.31.14

DRAWN BY: Carl W

CHECKED BY:

SCALE: NONE

DATE: 01.31.14

DRAWN BY: Carl W

CHECKED BY:

PART NUMBER: -

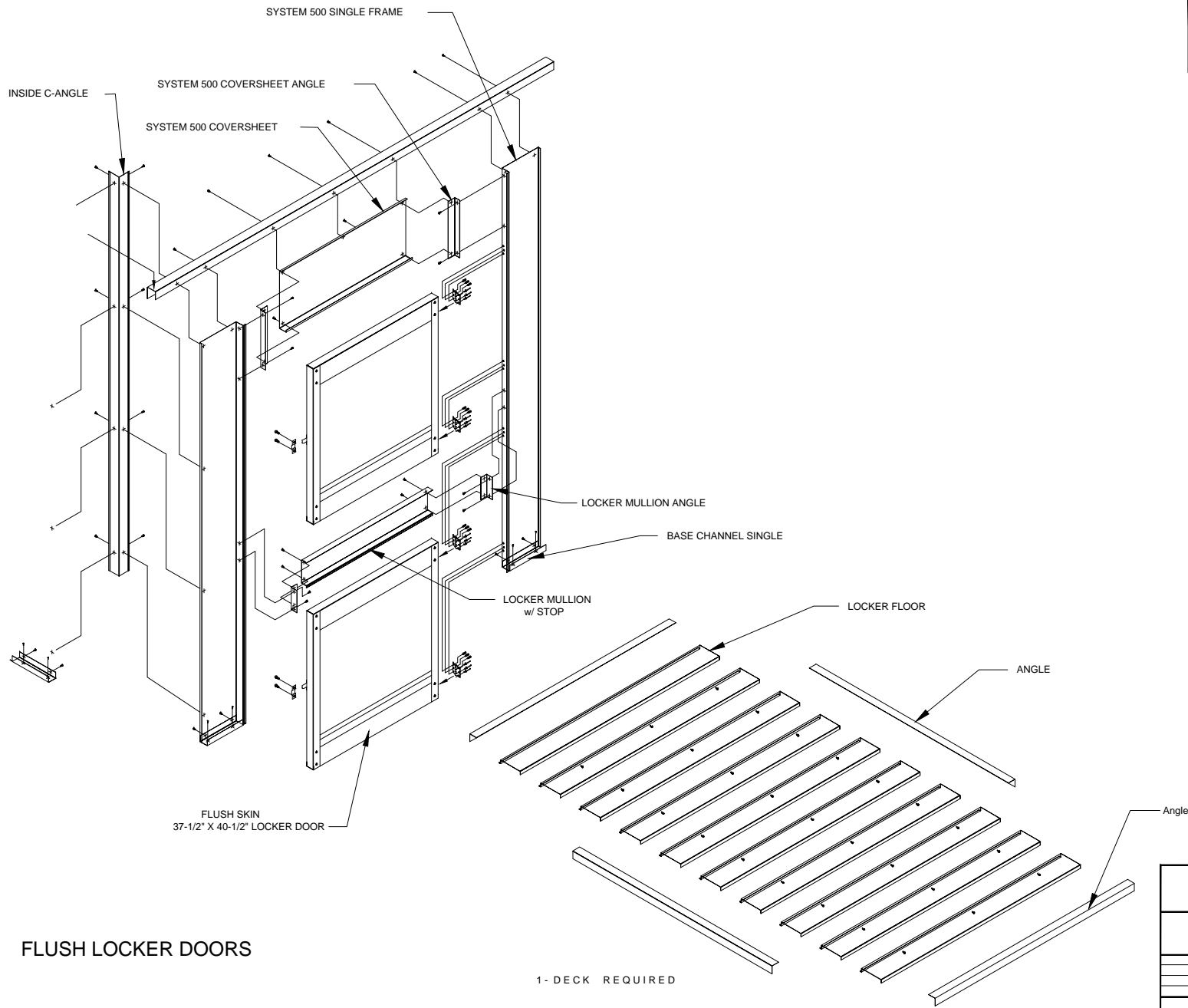
DESCRIPTION:  
LOCKER ELEVATION, DBL CORR.

**A** DRAWING FILE NUMBER:  
Locker Systems, Janus

MANUFACTURED or PURCHASED  
MANUFACTURED

NUMBER OF SHEETS  
1 OF 1

Revisions			
Rev.	Description	Date	APRVD.



FLUSH LOCKER DOORS

1- DECK REQUIRED

**JANUS INTERNATIONAL CORPORATION**  
 134 East Luke Road  
 Temple, Georgia 30179-4435  
 Phone (770) 562-2580 Fax (770) 562-2264  
 Web Address : WWW.JANUSINTL.COM  
 © 2002 Janus International Corporation All Rights Reserved

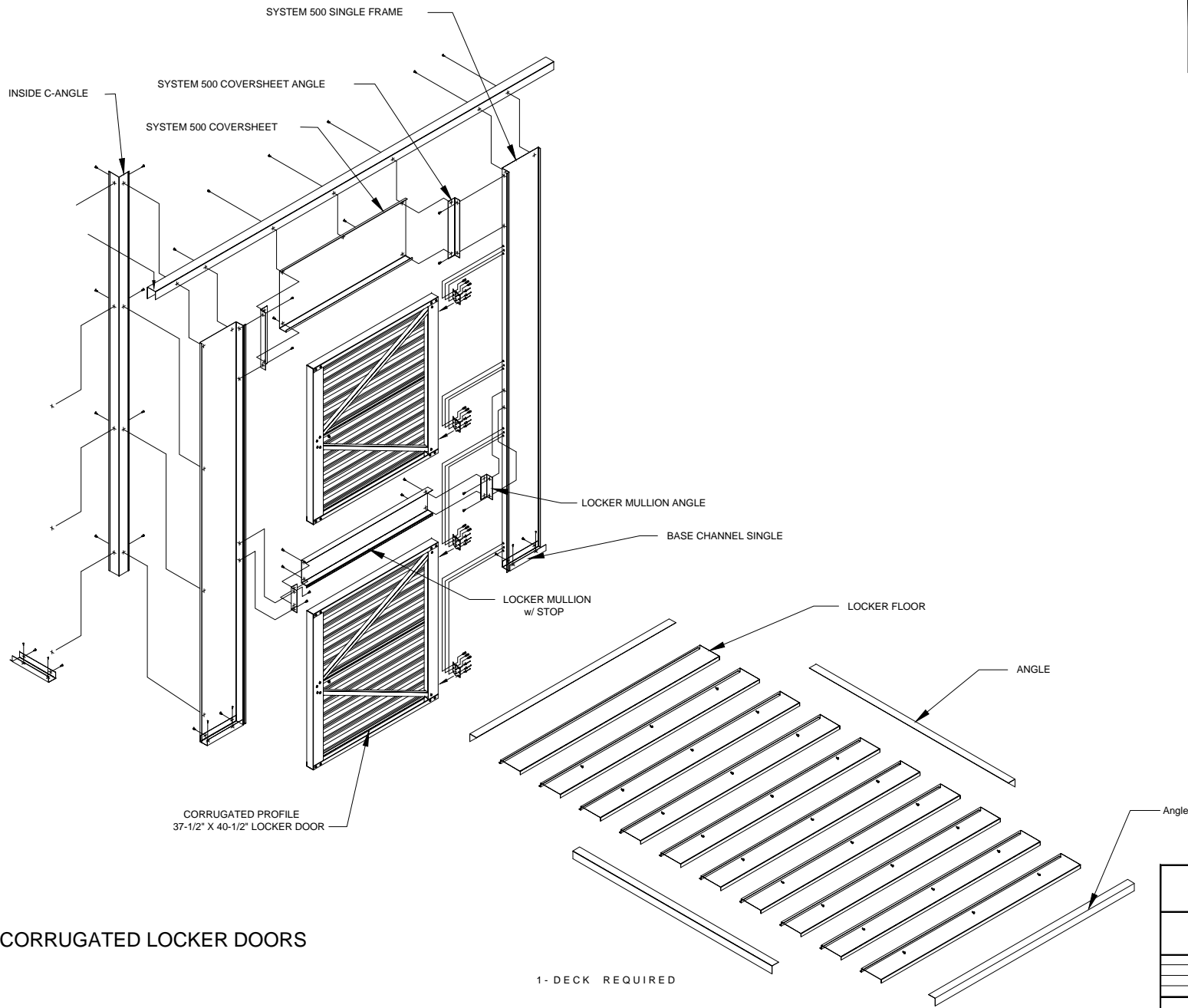
TITLE:  
**Double Locker Floor System**

DESIGNED:	Janus Intl	DATE:	
DRAWN:		DATE:	
CHECKED:		DATE:	
APPROVED:		DATE:	

SIZE: **A** DRAWING NUMBER: REV:

SCALE: None SHEET: 1 OF 1

Revisions			
Rev.	Description	Date	APRVD.



CORRUGATED LOCKER DOORS

1- DECK REQUIRED

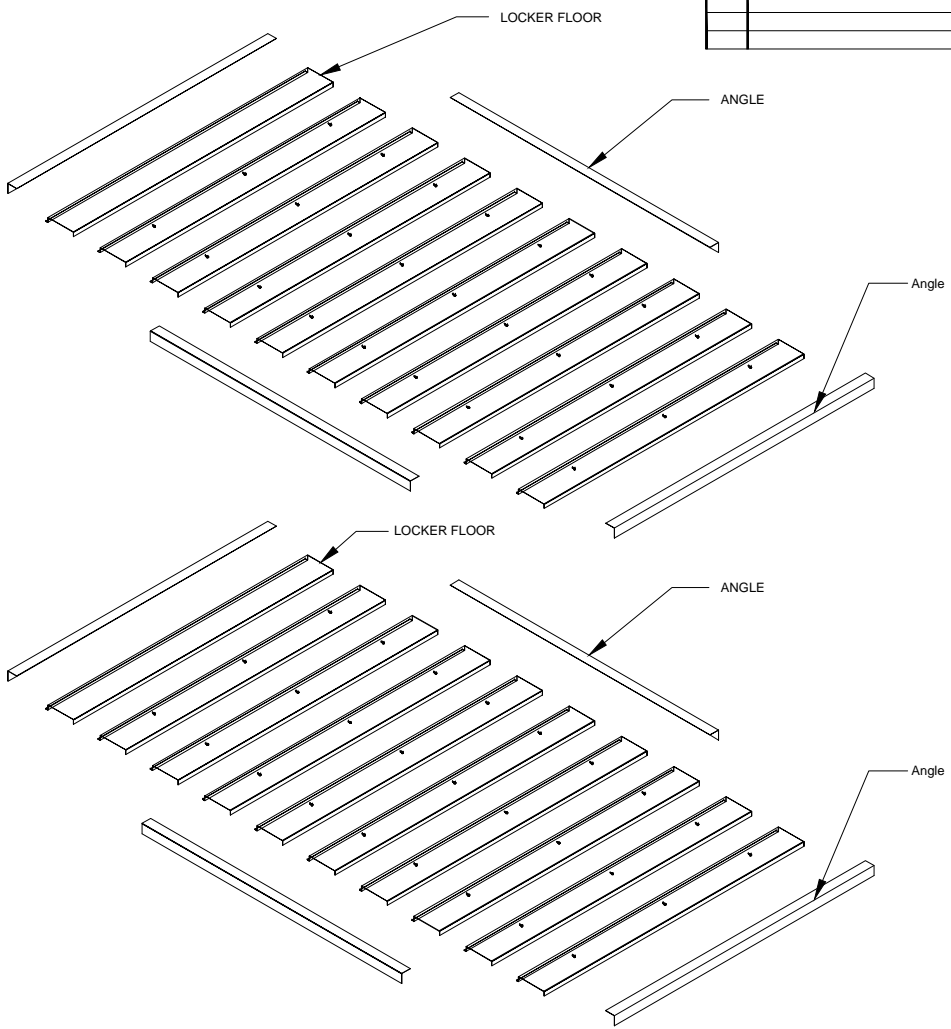
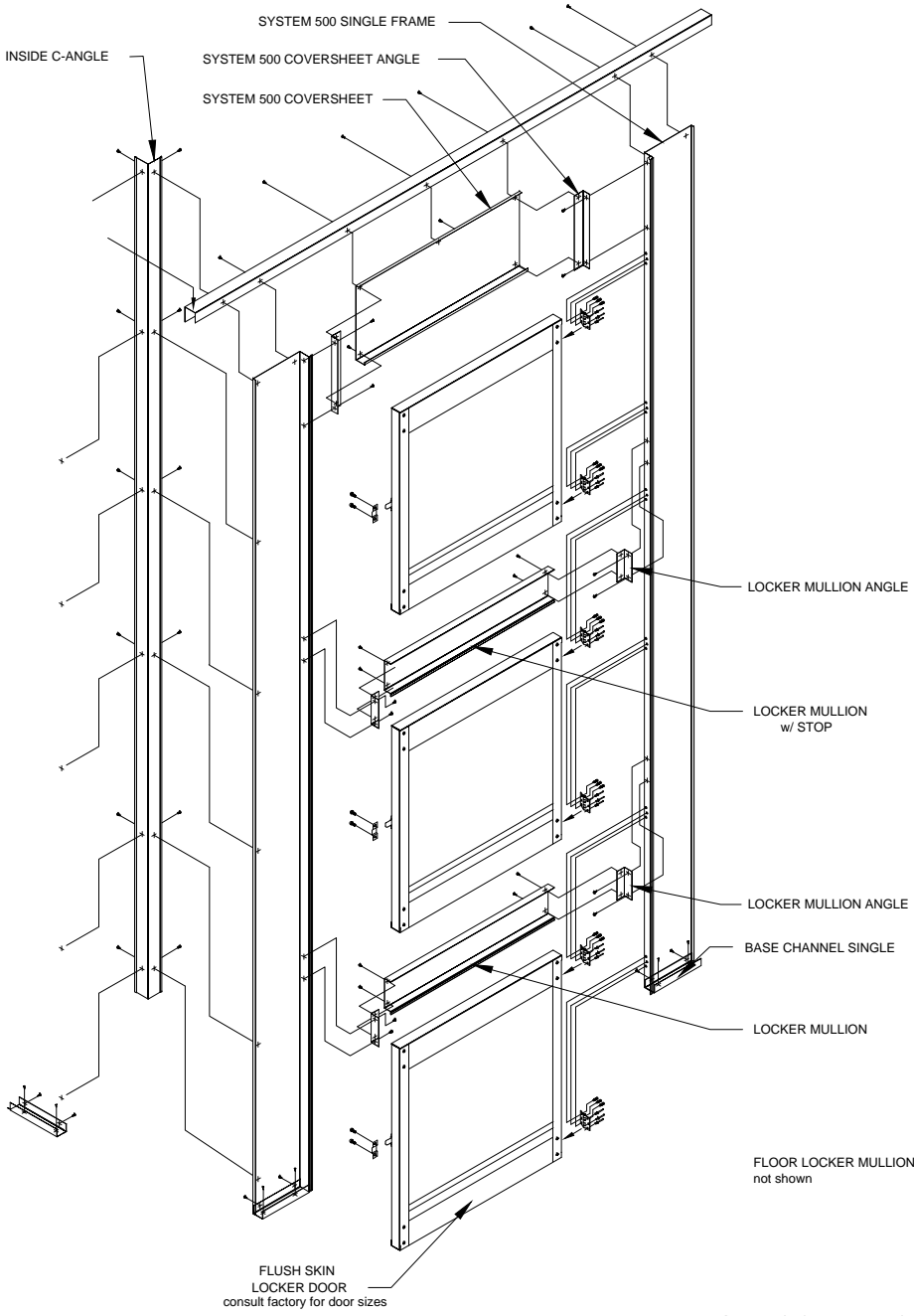
**JANUS INTERNATIONAL CORPORATION**  
 134 East Luke Road  
 Temple, Georgia 30179-4435  
 Phone (770) 562-2580 Fax (770) 562-2264  
 Web Address: WWW.JANUSINTL.COM  
 © 2002 Janus International Corporation All Rights Reserved

TITLE:  
**Double Locker Floor System**

DESIGNED: <b>Janus Intl</b>	DATE:
DRAWN: -	DATE:
CHECKED: -	DATE:
APPROVED: -	DATE:

SIZE: <b>A</b>	DRAWING NUMBER:	REV:
SCALE: None	SHEET: 1	OF: 1

Revisions			
Rev.	Description	Date	APRVD.



2- DECKS REQUIRED typical

FLOOR LOCKER MULLION OPTIONAL not shown

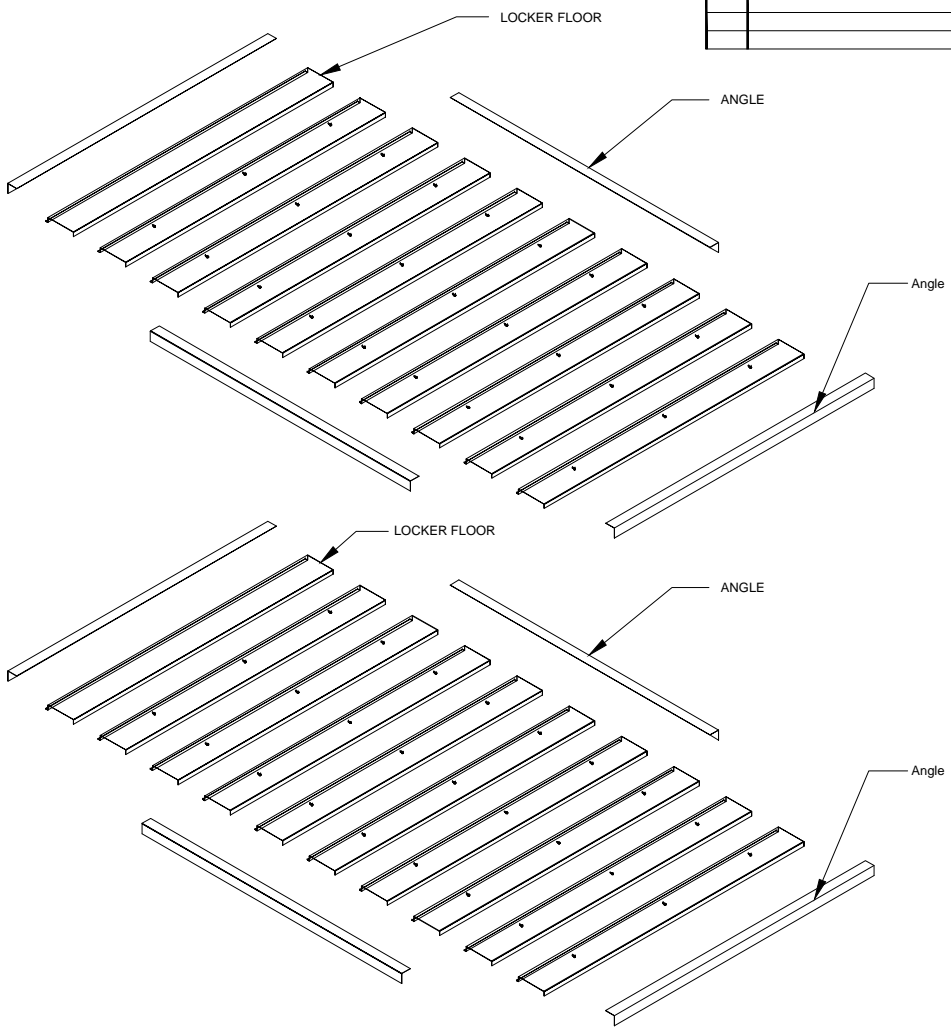
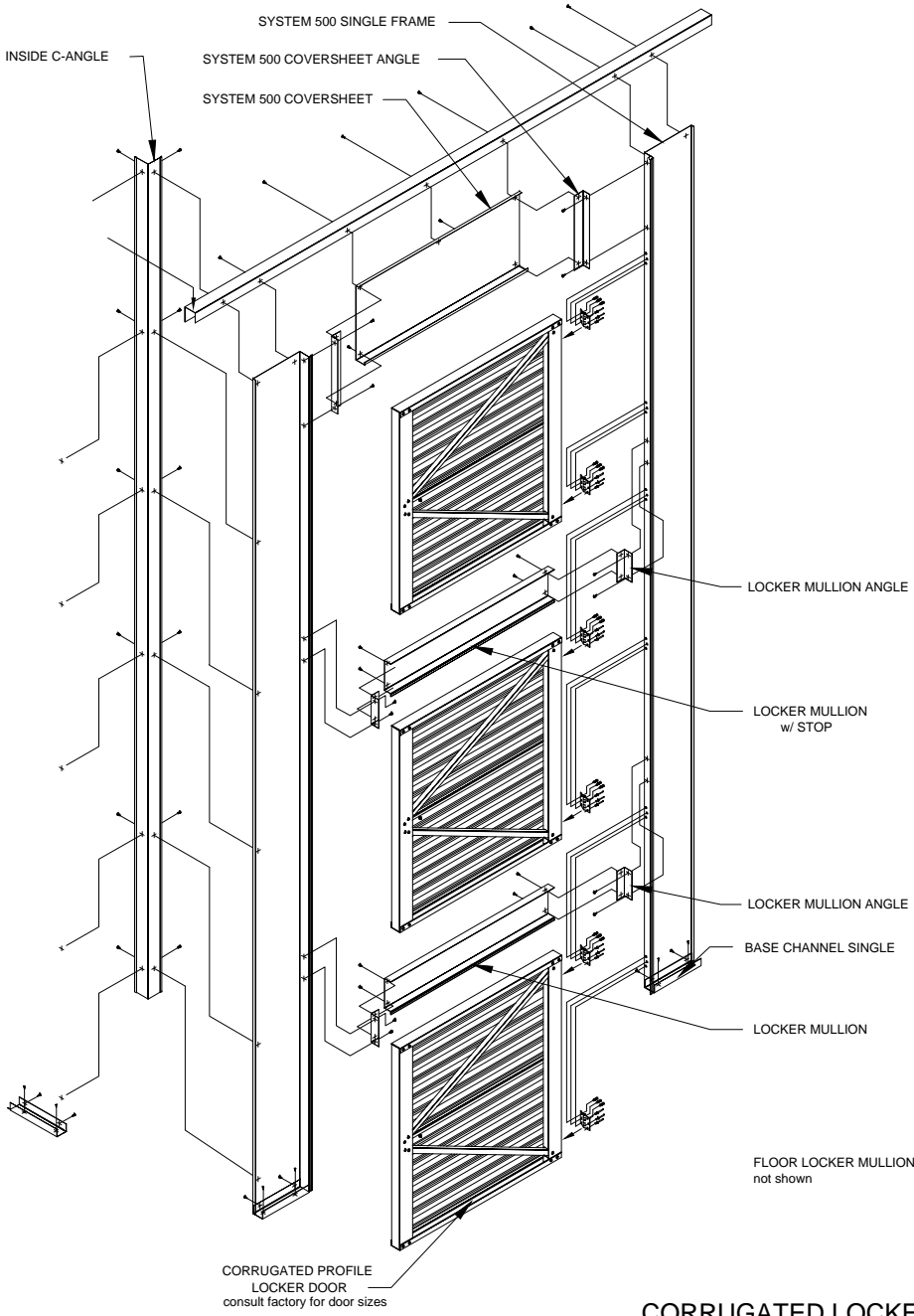
**FLUSH LOCKER DOORS**

**JANUS INTERNATIONAL CORPORATION**  
 134 East Luke Road  
 Temple, Georgia 30179-4435  
 Phone (770) 583-2360 Fax (770) 953-2364  
 Web Address : WWW.JANUSINTL.COM  
 © 2002 Janus International Corporation All Rights Reserved

TITLE: **Triple Locker Unit System**

DESIGNED: <b>Janus Intl</b>	DATE:
DRAWN:	DATE:
CHECKED: -	DATE:
APPROVED:	DATE:
SIZE: <b>A</b>	DRAWING NUMBER:
SCALE: None	SHEET: 1 OF 1

Revisions			
Rev.	Description	Date	APRVD.



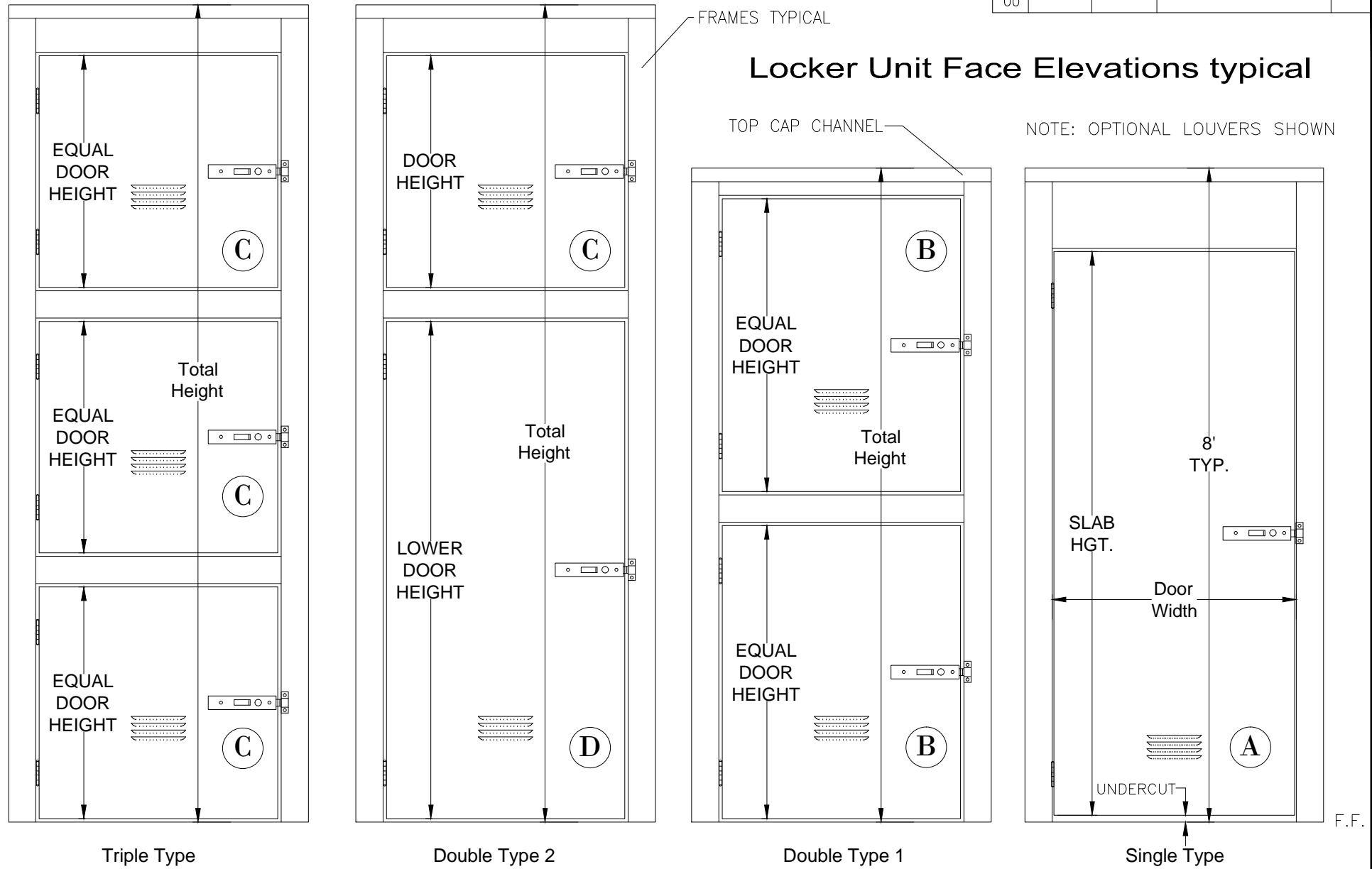
**CORRUGATED LOCKER DOORS**

**JANUS INTERNATIONAL CORPORATION**  
 134 East Luke Road  
 Temple, Georgia 30179-4435  
 Phone (770) 582-2500 Fax (770) 952-2264  
 Web Address : WWW.JANUSINTL.COM  
 © 2002 Janus International Corporation All Rights Reserved

TITLE: **Triple Locker Unit System**

DESIGNED: <b>Janus Intl</b>	DATE:
DRAWN:	DATE:
CHECKED: -	DATE:
APPROVED:	DATE:
SIZE: <b>A</b>	DRAWING NUMBER:
SCALE: None	SHEET: 1 OF 1

REV	DATE	ECN No.	DESCRIPTION	BY
00				



**JANUS**  
INTERNATIONAL

134 Janus International Blvd.  
Temple, Georgia 30179  
770.562.2850 Janusintl.com

The arrangements depicted herein are the sole property of Janus International and may not be reproduced without it's written permission.

DIMENSIONS & DIMENSIONAL TOLERANCES ARE IN INCHES  
 ① = ±.032    ② = ±.063    ③ = ±.094    ④ = ±.125  
 critical dimensions marked as shown

SCALE: NONE

DATE: 01.21.14

DRAWN BY: Carl W

CHECKED BY:

PART NUMBER: -

DESCRIPTION:  
WINE LOCKERS; TYPICAL



DRAWING FILE NUMBER:  
Locker Systems, Janus

MANUFACTURED or PURCHASED  
MANUFACTURED

NUMBER OF SHEETS  
1 OF 1