
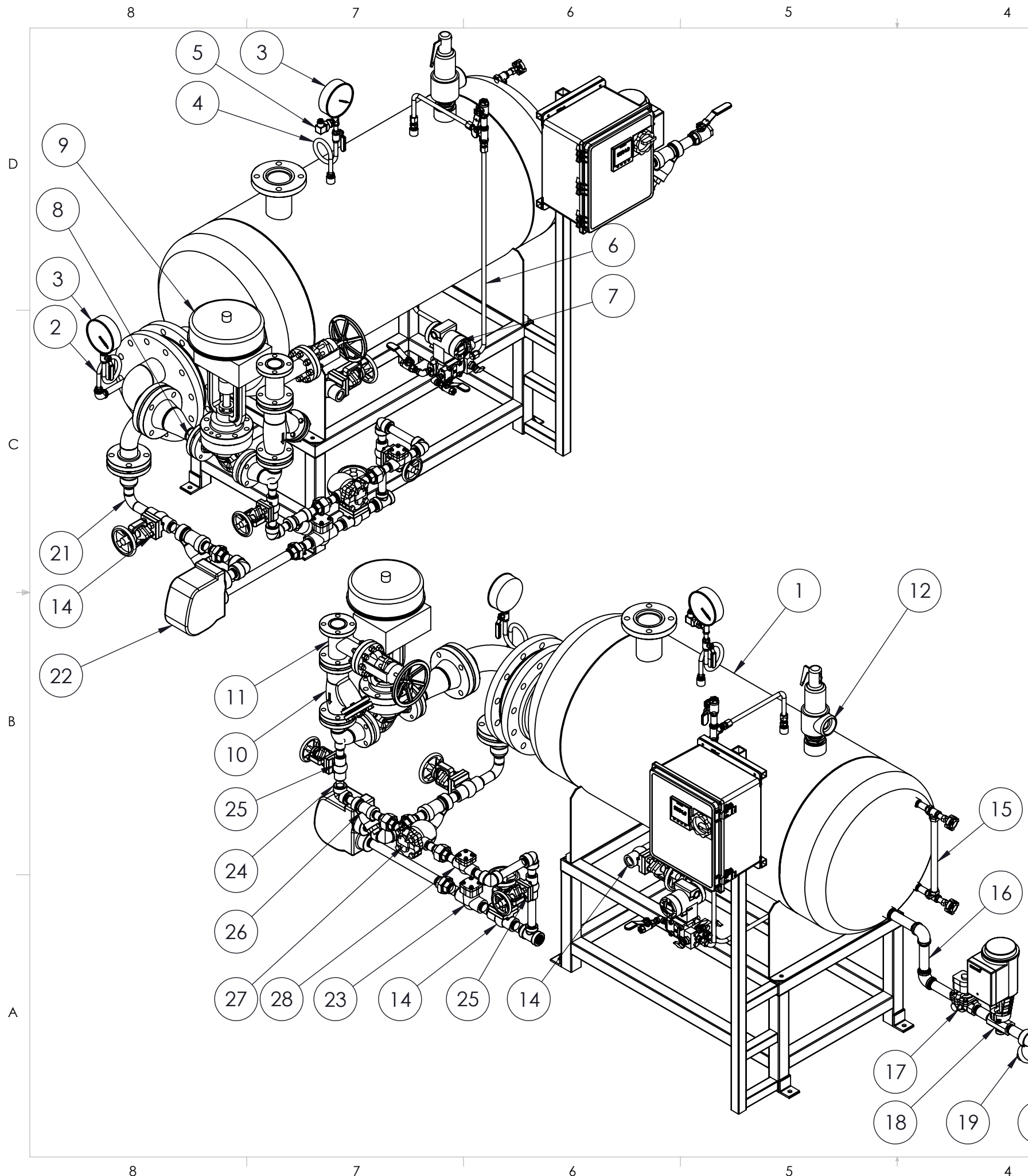



Nozzel Connection Table			
Conn .	Size	Type	Desprition
N1	ø 1-1/2"	ANSI 150# - Carbon steel	Steam Inle
N2	ø 3"	ANSI 150# - Carbon steel	Steam OutInlet
N3	ø 1"	NPT - Carbon steel	Condensate Outlet
N4	ø 1"	NPT - Carbon steel	Make up Water Inlet
N5	ø 1"	NPT - Carbon steel	Blowdown Drain
N6	ø 2"	NPT	Safety Valve Outlet

ESTIMATED DRY WEIGHT: - LBS PROPRIETARY AND CONFIDENTIAL	PROJECT: P118 - C001 DUMONT HOSPITAL	 CMS Inc.
	CLIENT/CUSTOMER: -	
MODEL #: - WORK ORDER #: -	PAGE DESCRIPTION: CLEAN STEAM GENERATOR	SCALE: 1:50 DWG SIZE: B SHEET: 1 OF 2 DRAWN BY: - DATE: 21/08/2017 APPROVED BY: MARCUS BELLOT DATE: 21/08/2017 DWG NO. 118-C001 REV: 0
	ESTIMATED DRY WEIGHT: - LBS	
	PROPRIETARY AND CONFIDENTIAL	



ITEM NO.	PART NUMBER	DESCRIPTION	QTY.
1	24" X 63" CLEAN STEAM GENERATOR TANK ASSEMBLY	CARBON STEEL	1
2	Ø 1/4" PRESSURE GAUGE ASSEMBLY		1
3	Ø 1/4" PRESSURE GAUGE	WEISS	2
4	Ø 1/4" PRESSURE GAUGE ASSEMBLY WITH TRANSDUCER		1
5	Ø 1/4" PRESSURE TRANSMITTER A-10	WIKA	1
6	DIFFERENTIAL PRESSURE TRANSMITTER PIPING ASSEMBLY		1
7	DSIII DIFFERENTIAL PRESSURE TRANSMITTER	SIEMENS	1
8	STEAM INLET PIPING ASSEMBLY	CARBON STEEL	1
9	Ø 1-1/2" CONTROL VALVE ECOTROL ANSI 150 # PNEUMATIC	FORBES MARSHALL	1
10	Ø 1-1/2" FLANGED STRAINER	150 #	1
11	Ø 2" FLANGED GATE VALVE	150 #	1
12	Ø 1-1/2" X 2" NPT APOLLO SAFETY VALVE	APOLLO	1
13	BLOWDOWN DRIAN PIPING ASSEMBLY	CARBON STEEL	1
14	Ø 1" GATE VALVE	BERIC	3
15	APOLLO SIGHT GLASS LEVEL	APOLLO	1
16	WATER MAKE UP PIPING ASSEMBLY	CARBON STEEL	1
17	Ø 1" NPT SOLENOID VALVES 8210	ASCO	1
18	Ø 1" FLOW CONTROL ELECTRIC VALVE	SIEMENS	1
19	Ø 1" NPT STRAINER	MUELLER	2
20	Ø 1" BALL VALVE FULL PORT		1
21	CONDENSATE OUTLET PIPING ASSEMBLY	CARBON STEEL	1
22	Ø 1" F & T STEAM TRAP WFT-125	WATSON MCDANIEL	1
23	Ø 1" NPT CHECK VALVE	BERIC	1
24	STEAM INLET DRIP TRAP PIPING ASSEMBLY	CARBON STEEL	1
25	Ø 3/4" GATE VALVE	BERIC	2
26	Ø 3/4" NPT STRAINER	MUELLER	1
27	Ø 3/4" NPT FLOAT & THERMOSTATIC TRAP	WATSON MCDANIEL	1
28	Ø 3/4" CHECK VALVE	BERIC	1
29	3504 EURO THERM CONTROLLER	EUROTHERM	1

ESTIMATED DRY WEIGHT: - LBS PROPRIETARY AND CONFIDENTIAL	PROJECT: P118 - C001 DUMONT HOSPITAL	
	CLIENT/CUSTOMER: -	
SCALE: 1:50 DWG SIZE: B SHEET: 2 OF 2 DRAWN BY: - DATE: 21/08/2017 APPROVED BY: MARCUS BELLOT DATE: 21/08/2017 DWG NO. 118-C001 REV: 0	PAGE DESCRIPTION: CLEAN STEAM GENERATOR	
	MODEL #: -	
	WORK ORDER #: -	