

D

C

B

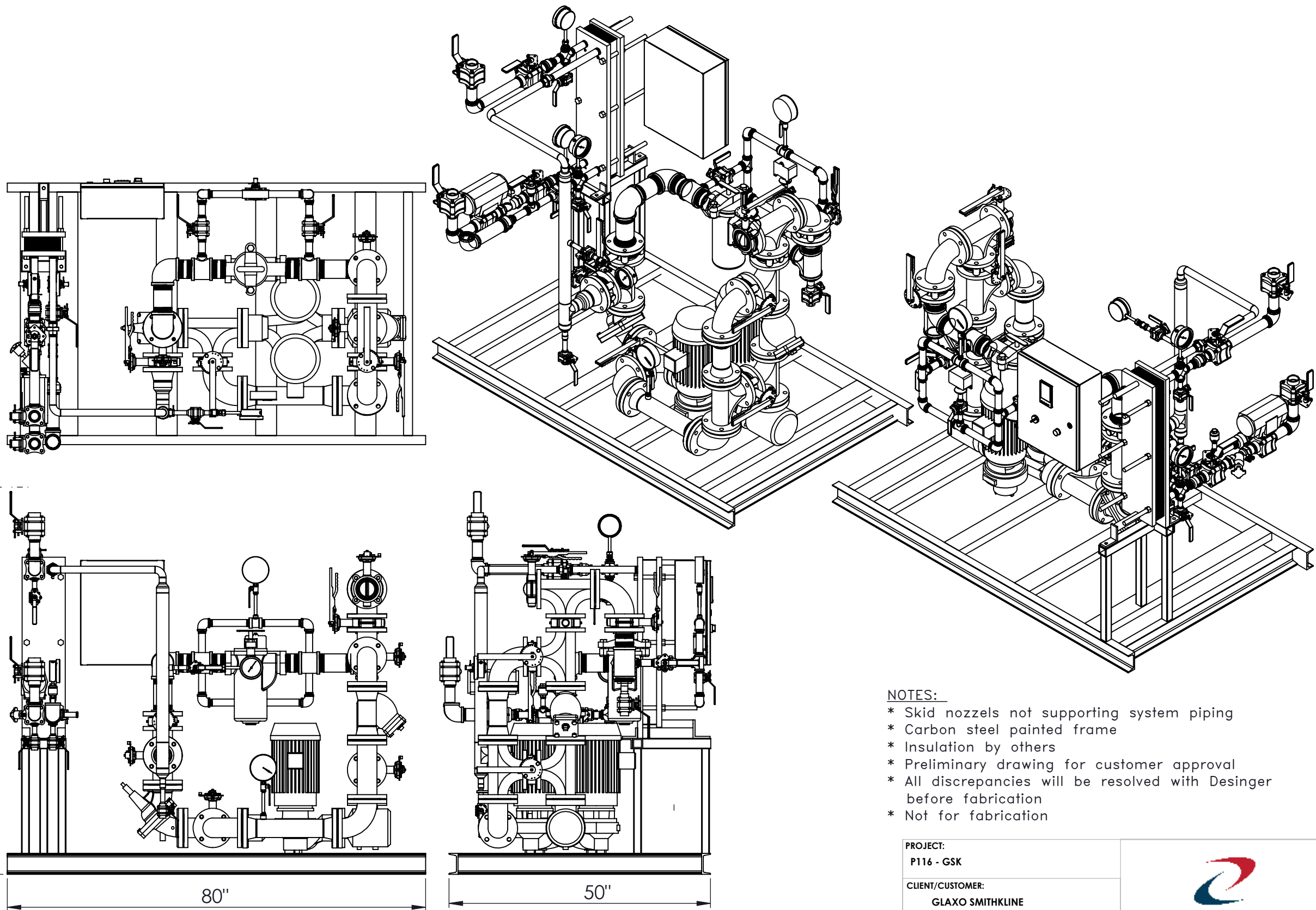
A

D

C

B

A



- NOTES:**
- \* Skid nozzels not supporting system piping
  - \* Carbon steel painted frame
  - \* Insulation by others
  - \* Preliminary drawing for customer approval
  - \* All discrepancies will be resolved with Desinger before fabrication
  - \* Not for fabrication

**ESTIMATED DRY WEIGHT:  
- LBS**

PROPRIETARY AND CONFIDENTIAL

PROJECT:  
**P116 - GSK**

CLIENT/CUSTOMER:  
**GLAXO SMITHKLINE**

PAGE DESCRIPTION:  
**COOLING SKID**

MODEL #:  
-

WORK ORDER #:  
-



SCALE: 1:50 DWG SIZE: B SHEET: 1 OF 2

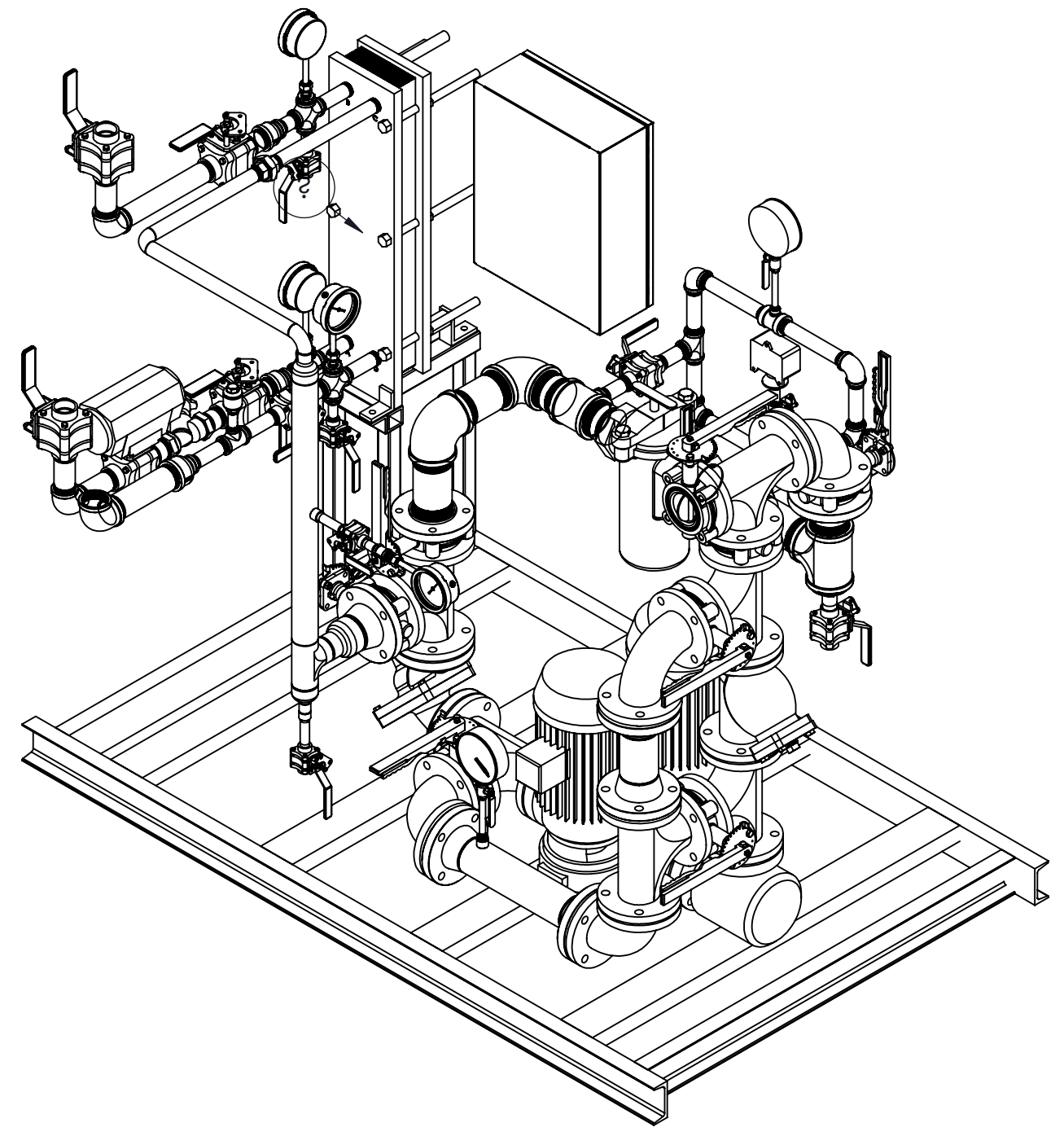
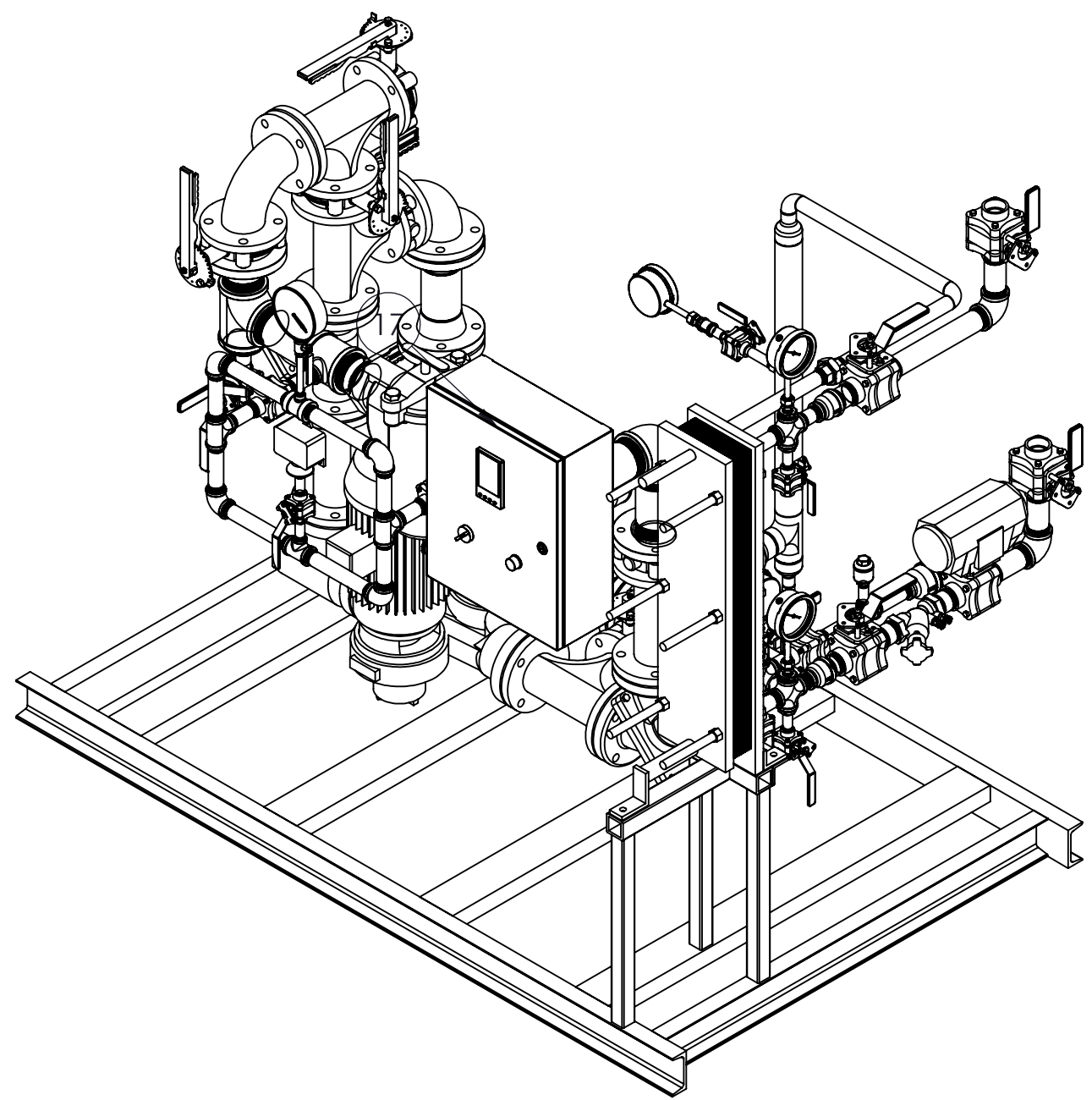
DRAWN BY: - DATE: 12/08/2017

APPROVED BY: MARCUS BELLOT DATE: 12/08/2017

DWG NO. 116-C002 REV: 0

8 7 6 5 4 3 2 1

D  
C  
B  
A



8 7 6 5 4 3 2 1

**ESTIMATED DRY WEIGHT:  
- LBS**

PROPRIETARY AND CONFIDENTIAL

PROJECT:  
**P116 - GSK**

CLIENT/CUSTOMER:  
**GLAXO SMITHKLINE**

PAGE DESCRIPTION:  
**COOLING SKID**

MODEL #:  
-

WORK ORDER #:  
-



SCALE: 1:50 DWG SIZE: B SHEET: 2 OF 2

DRAWN BY: - DATE: 12/08/2017

APPROVED BY: MARCUS BELLOT DATE: 12/08/2017

DWG NO. 116-C002 REV: 0

D  
C  
B  
A