



WELCOME
To The 6 Part
Required Training

For

Louisiana Concealed
Carry Permit
Applicants

(Online Instruction)

(Range Face-to-Face)

©2021 Louisiana Concealed Carry School
All Rights Reserved

The content of this presentation developed by Louisiana Concealed Carry School shall not be copied, accessed, nor transmitted to other entities, parties or individuals, or otherwise conveyed, implemented or utilized in any manner, including electronically, except with specific, written authorization of Louisiana Concealed Carry School.

Online Class Policies

- Ensure that your firearms are secured now
- No ammunition around your computer area
- Breaks
 - We will have short breaks in between each hour-long session.
 - Plan to have a “working lunch” at your learning station.
 - You may do this whenever you wish to do so.
 - We will keep working through lunch.
- Please keep your camera on so that the instructor can see that you are online during the session.
- Please keep cell phones on silent
 - If you need to answer, please place your computer on mute.

How The Online Portion of the Class Will Work

- I will have videos and power point presentations that will be used during the online training.
- You may, and I encourage you, to interact with me, and with each other during the online sessions.
 - We can all learn from each other's experiences today.



PART 1

Title 55

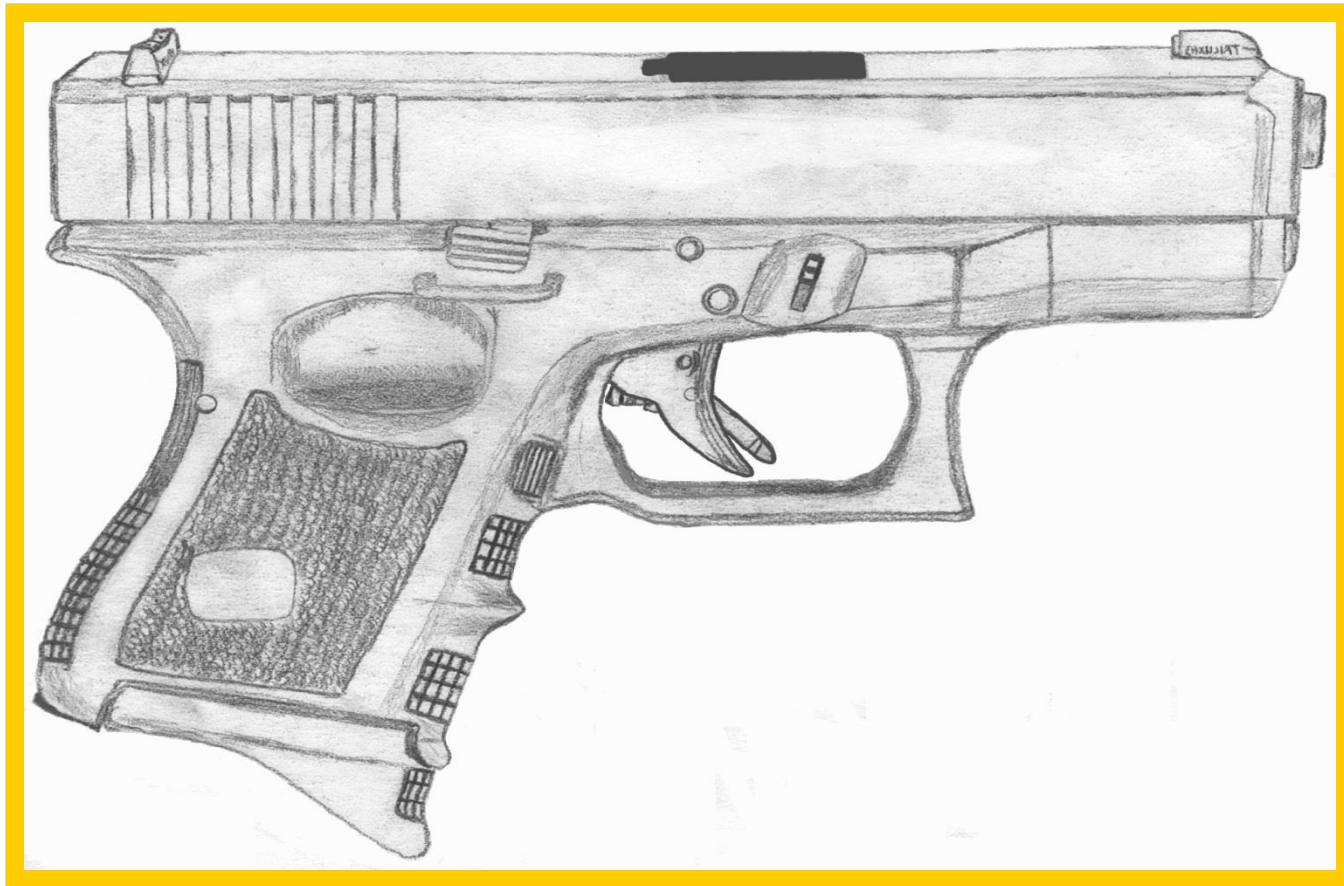
Chapter 13

§1311.1.a.

Nomenclature

Safe Handling Procedures (Revolver/Semi-Automatic)

Handgun Nomenclature & Safe Handling Procedures: Revolver & Semi-Automatic



Prepare Yourself ! ! !

MENTAL	PHYSICAL
Safety	Safety
Potential Civil Suit	Hitting the target
Potential Criminal Prosecution	Physical abilities
Responding to Anger vs. Actual Threat	Taking cover quickly
Fundamentals of Shooting	Mechanics of Shooting
Attitude of “Doing the Right Thing”	Actually “Doing the Right Thing”
Attitudes of friends, relatives, etc . . . Following an incident	Properly Conceal: Why is it so important???

Prepare Your Family!!!

MENTAL	PHYSICAL
Safety	Safety
Potential Civil Suit	What to do if you become engaged. . . Hit Floor—Nearest Exit . . . Etc. . .
Potential Criminal Prosecution	Call 911—What to tell them . . . “My husband has a concealed handgun permit and he has stopped a robbery.” He is wearing jeans and a LSU T-Shirt . . .
Attitudes of friends, relatives, etc . . . Following an incident	Describe the perpetrator and what he is wearing to 911 dispatcher.
The News Media . . .	If there is an extra phone, dial 911 and lay the phone down so conversation can be recorded

Handguns & Handgun Nomenclature

- **Before we can begin to have meaningful conversations about handguns (and about handgun safety), we need to learn about handguns.**

Two Basic Types of Handguns

- **Revolvers**

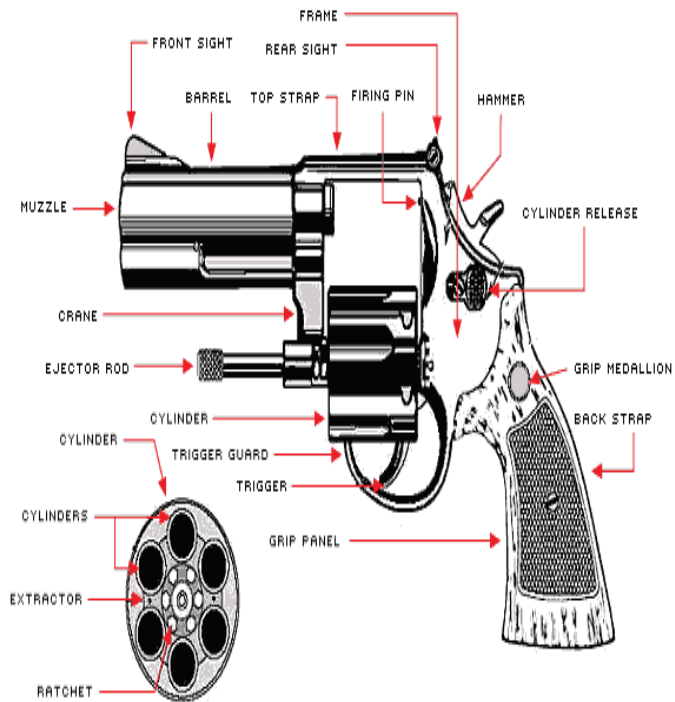
- A pistol that has a rotating cylinder containing a number of firing chambers. The action of the trigger or hammer will line up a chamber with the barrel and firing pin

- **Semi-Automatics**

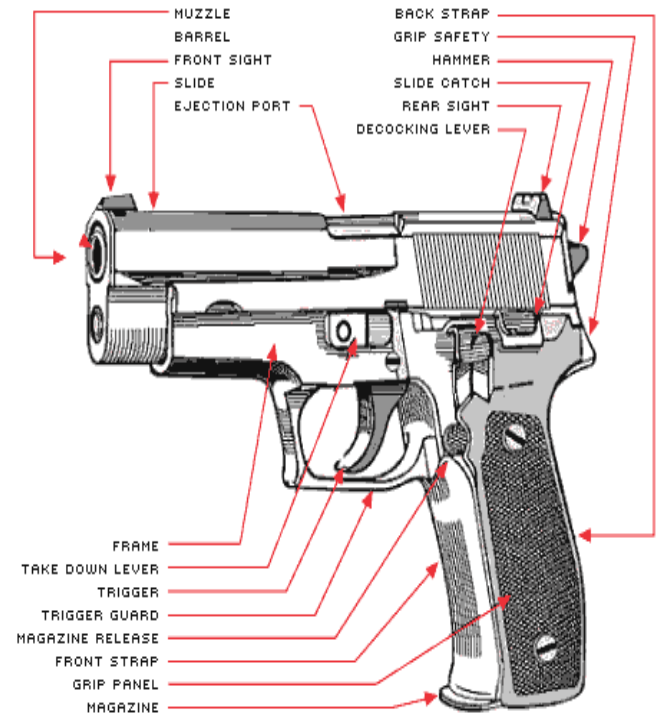
- A pistol that fires a single cartridge each time the trigger is pulled, and which automatically extracts and ejects the empty case and inserts a new cartridge into the chamber.

Two Basic Types of Handguns

- **Revolvers**



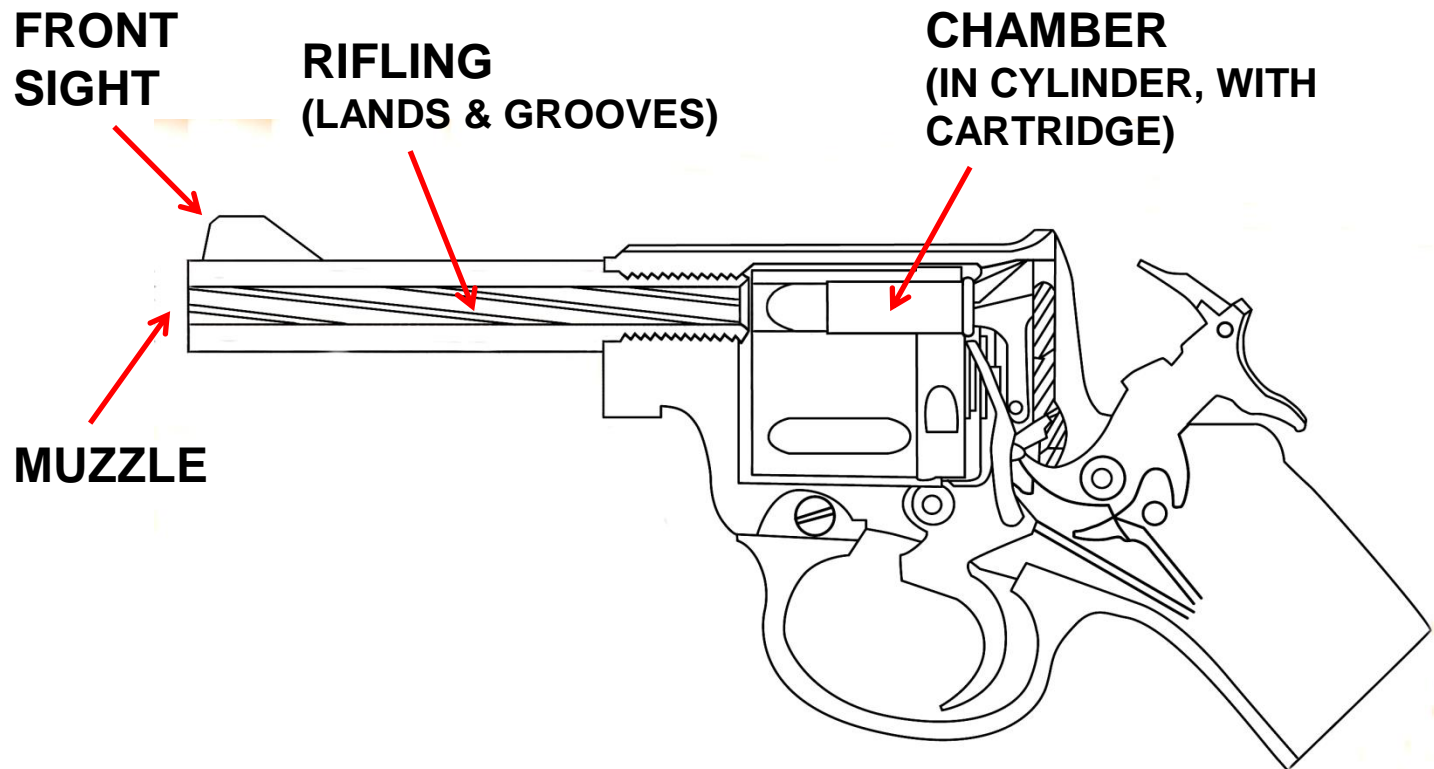
- **Semi-Automatics**



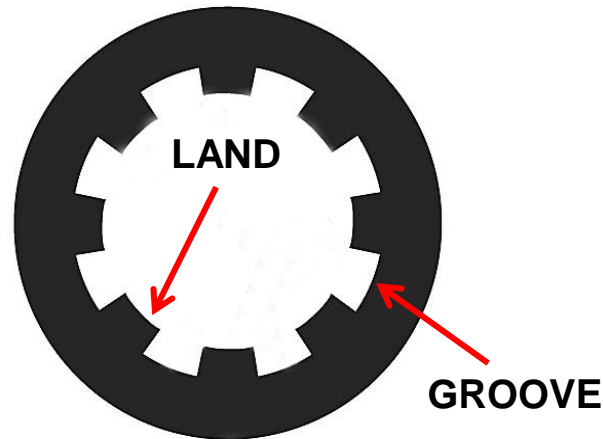
MAIN PARTS OF A REVOLVER



PARTS OF A REVOLVER BARREL

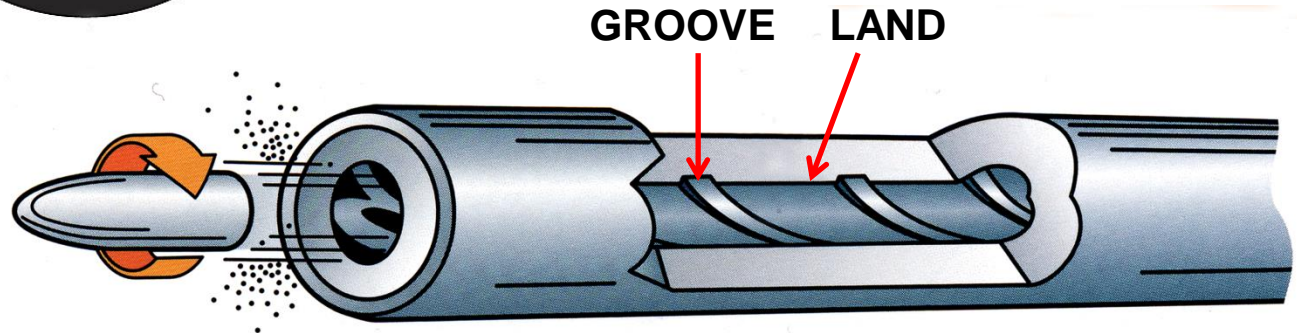


LANDS & GROOVES



RIFLING

SPIRALING *LANDS* AND *GROOVES* THAT ENGRAVE THE BULLET AND GIVE IT SPIN AS IT TRAVELS THROUGH THE BORE



NRATM

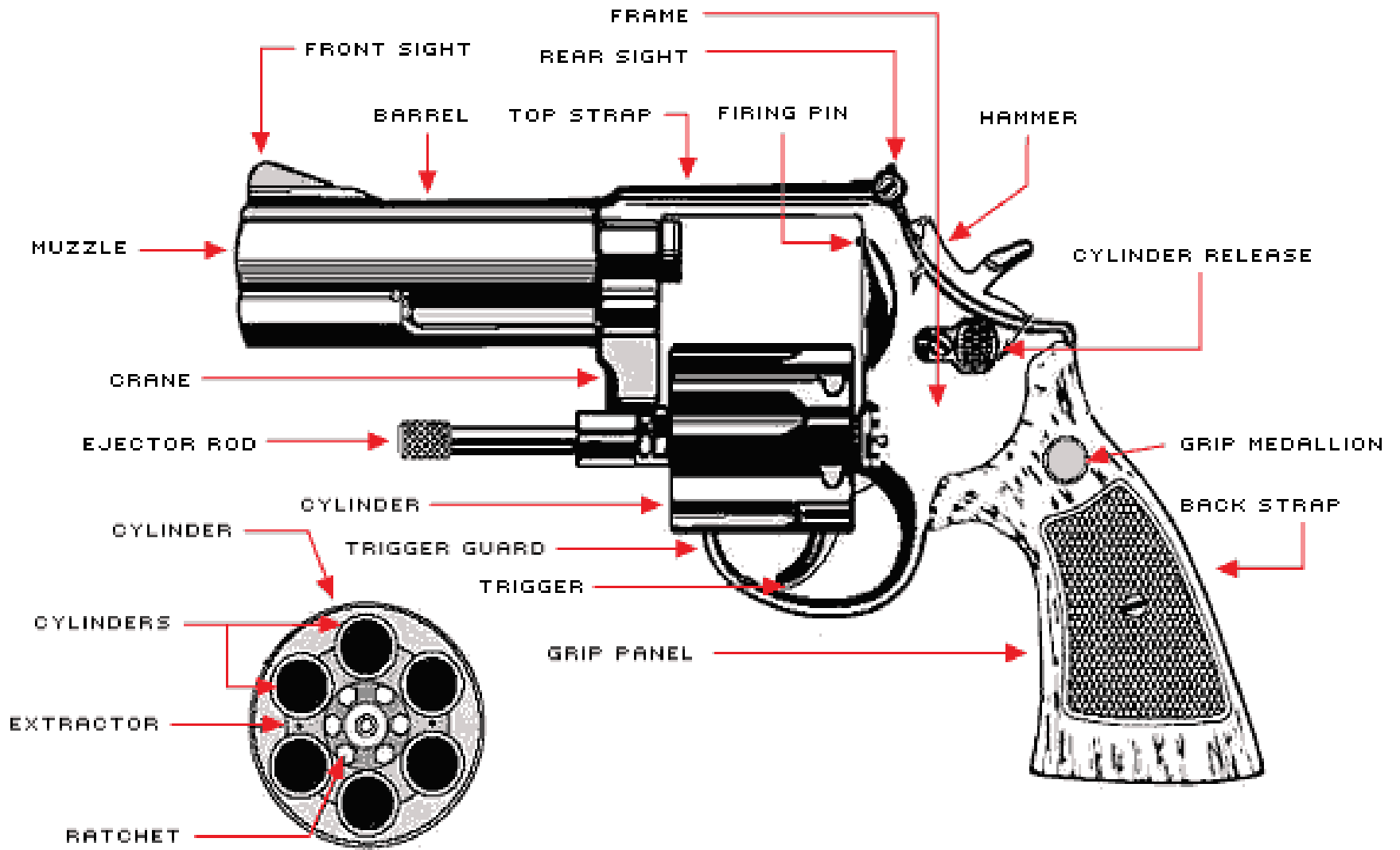
NATIONAL RIFLE ASSOCIATION OF AMERICA
EDUCATION & TRAINING DIVISION

REVOLVER FRAME COMPONENTS



NRATM

NATIONAL RIFLE ASSOCIATION OF AMERICA
EDUCATION & TRAINING DIVISION



COMMON PISTOL ACTION TYPES

- **SEMI-AUTOMATIC PISTOL**
- **SINGLE-ACTION REVOLVER**
- **DOUBLE-ACTION REVOLVER**



NRATM

NATIONAL RIFLE ASSOCIATION OF AMERICA
EDUCATION & TRAINING DIVISION

SINGLE- AND DOUBLE-ACTION REVOLVERS

SINGLE-ACTION REVOLVER

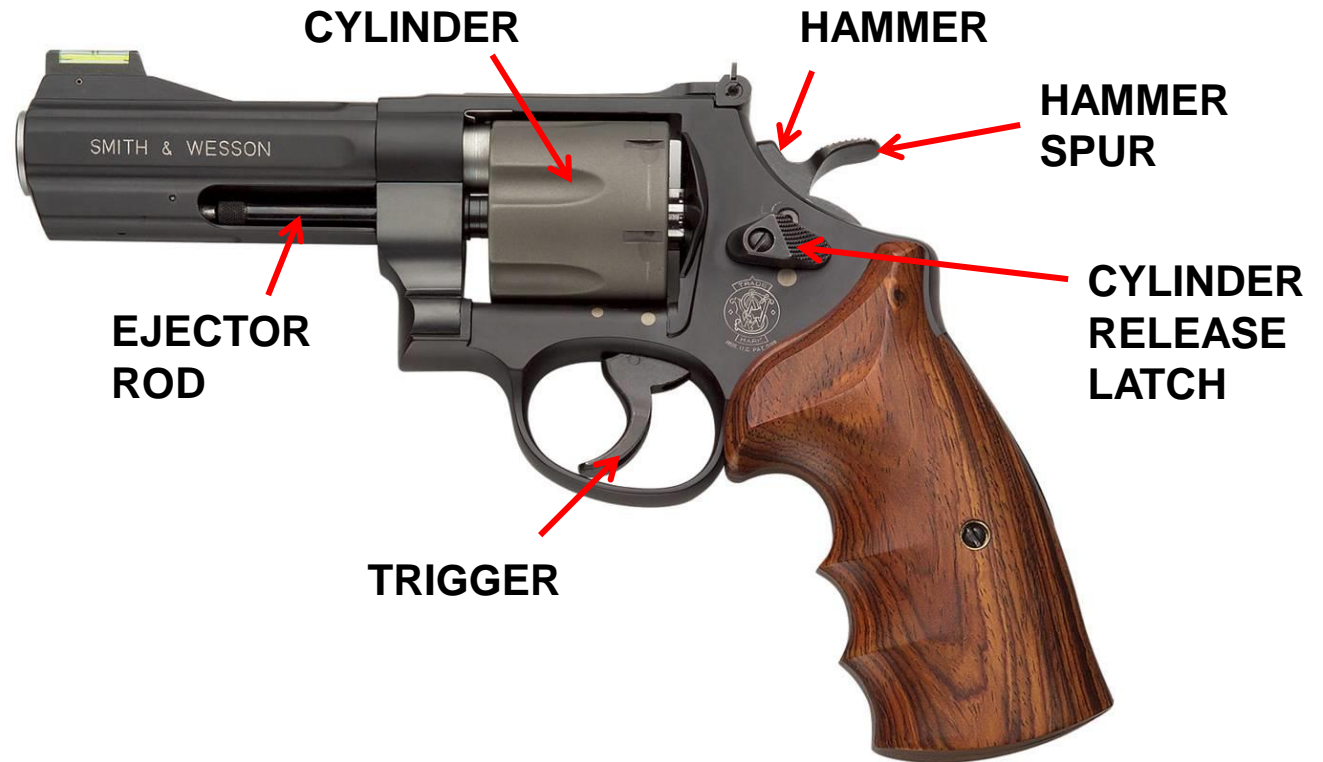
THE TRIGGER PERFORMS A SINGLE ACTION: RELEASING THE HAMMER. THE HAMMER MUST BE MANUALLY COCKED FOR EACH SHOT.

DOUBLE-ACTION REVOLVER

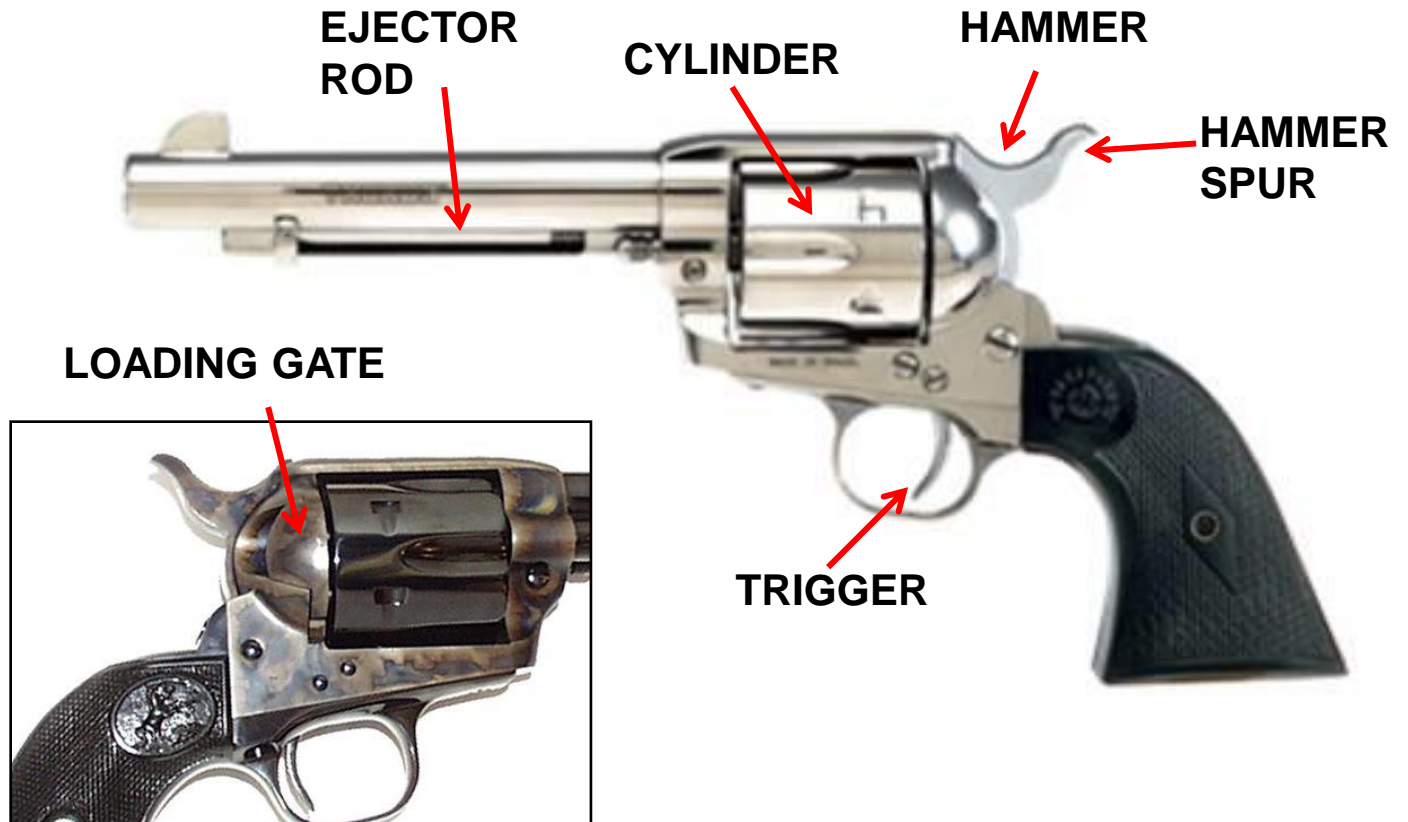
THE TRIGGER PERFORMS TWO TASKS: BOTH COCKING AND RELEASING THE HAMMER. MOST DOUBLE-ACTION REVOLVERS CAN ALSO BE FIRED IN THE SINGLE-ACTION MODE.



DOUBLE-ACTION REVOLVER ACTION PARTS



SINGLE-ACTION REVOLVER ACTION PARTS



NRATM

NATIONAL RIFLE ASSOCIATION OF AMERICA
EDUCATION & TRAINING DIVISION

MAIN PARTS OF A SEMI-AUTOMATIC PISTOL



BARREL

FRAME

ACTION
(SLIDE AND
PARTS
WITHIN
FRAME)



NATIONAL RIFLE ASSOCIATION OF AMERICA
EDUCATION & TRAINING DIVISION

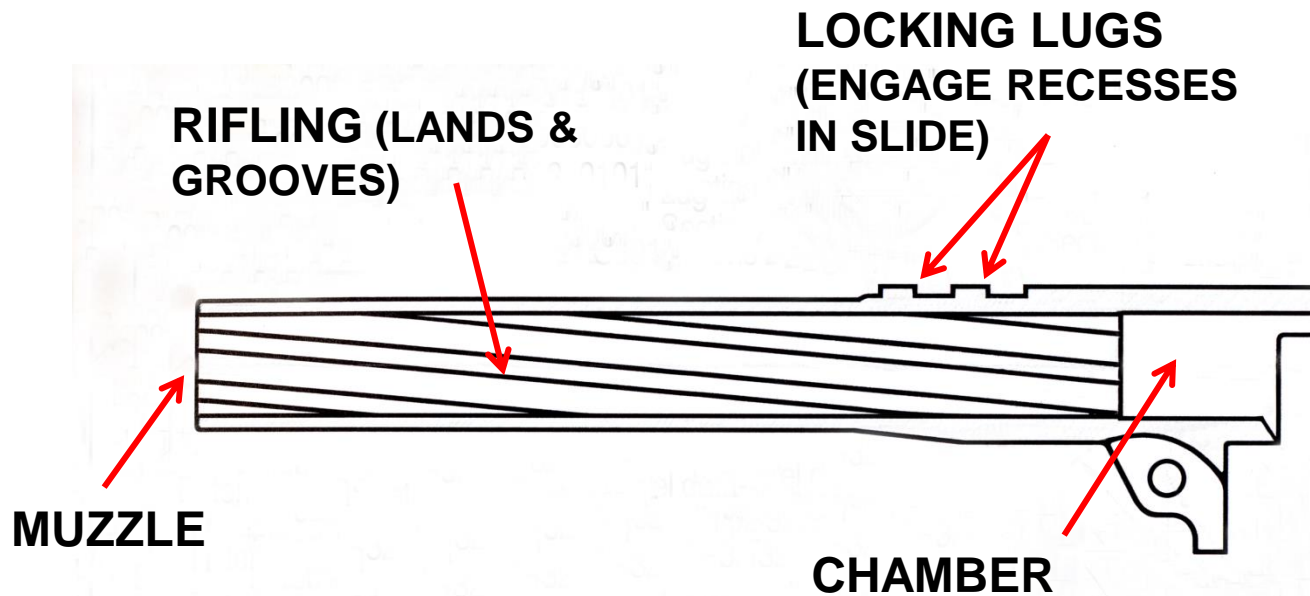
PARTS OF A SEMI-AUTOMATIC PISTOL FRAME



NRATM

NATIONAL RIFLE ASSOCIATION OF AMERICA
EDUCATION & TRAINING DIVISION

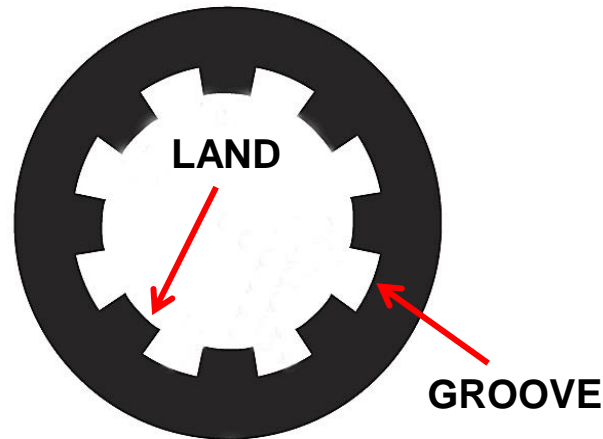
PARTS OF A SEMI-AUTOMATIC PISTOL BARREL



NRA

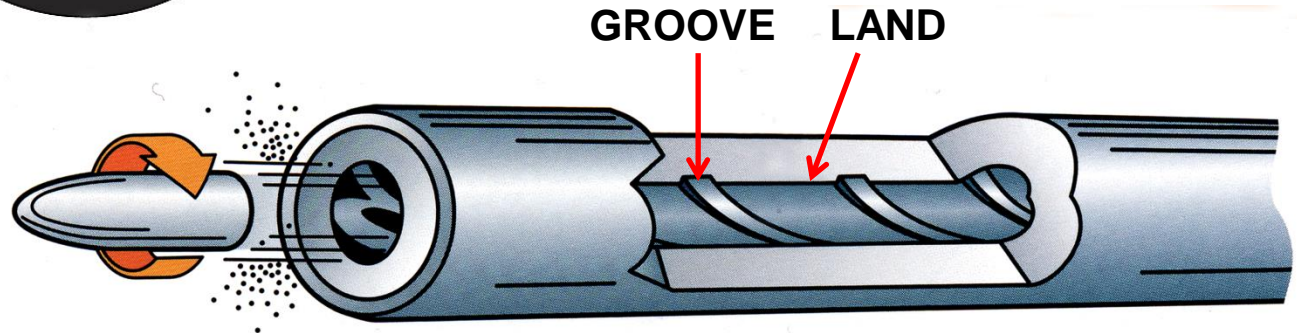
NATIONAL RIFLE ASSOCIATION OF AMERICA
EDUCATION & TRAINING DIVISION

LANDS & GROOVES



RIFLING

SPIRALING *LANDS* AND *GROOVES* THAT ENGRAVE THE BULLET AND GIVE IT SPIN AS IT TRAVELS THROUGH THE BORE



NRATM

NATIONAL RIFLE ASSOCIATION OF AMERICA
EDUCATION & TRAINING DIVISION

SEMI-AUTOMATIC PISTOL ACTION PARTS



FUNCTIONS OF A SEMI-AUTOMATIC PISTOL SLIDE

- **EXTRACTING THE FIRED CASE FROM THE CHAMBER AND EJECTING IT FROM THE PISTOL**
- **COCKING THE HAMMER OR FIRING PIN**
- **FEEDING THE TOP CARTRIDGE IN THE MAGAZINE INTO THE CHAMBER**



NRATM

NATIONAL RIFLE ASSOCIATION OF AMERICA
EDUCATION & TRAINING DIVISION

TYPES OF SEMI-AUTOMATIC PISTOL ACTIONS

SINGLE-ACTION

EACH PULL OF THE TRIGGER PERFORMS A SINGLE ACTION: RELEASING THE HAMMER. THE HAMMER MUST BE MANUALLY COCKED FOR THE FIRST SHOT.

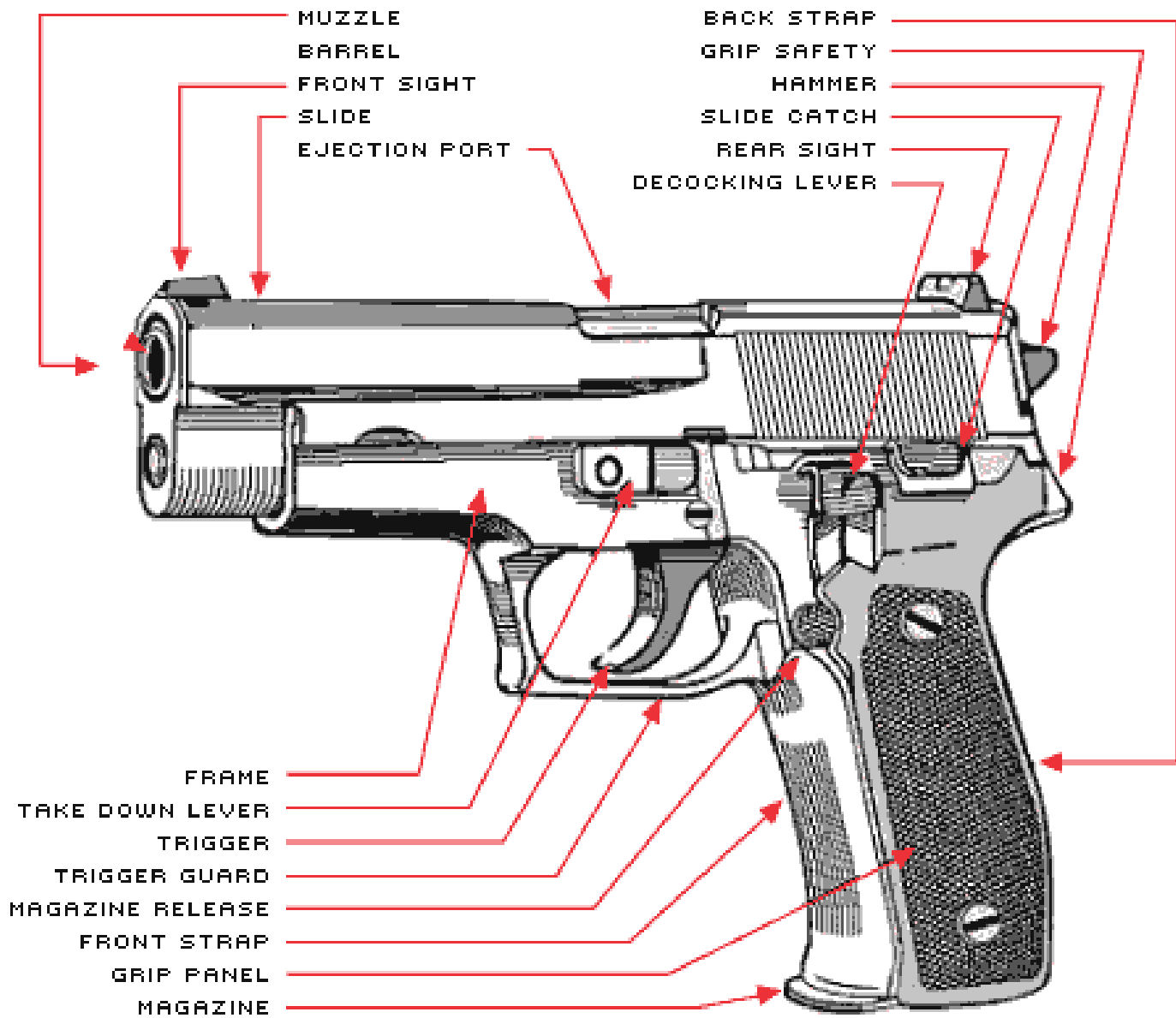
TRADITIONAL DOUBLE-ACTION

THE INITIAL LONG, HEAVY TRIGGER PULL BOTH COCKS AND RELEASES THE HAMMER. EACH SUBSEQUENT SHOT IS FIRED IN THE SINGLE-ACTION MODE.

DOUBLE-ACTION-ONLY

EACH PULL OF THE TRIGGER BOTH COCKS AND RELEASES THE HAMMER, AS WITH A DOUBLE-ACTION REVOLVER.





Safety is Fundamental In All Shooting Activities

- **No matter where you are at**
 - Practicing at the range
 - Cleaning your gun
 - Around your home
 - In your vehicle
 - Out in public



CAUSES OF FIREARM ACCIDENTS

IGNORANCE (LACK OF KNOWLEDGE)

- **IGNORANCE OF RULES FOR SAFE GUN HANDLING**
- **IGNORANCE OF THE PROPER AND SAFE WAY TO OPERATE A PISTOL**

CARELESSNESS (POOR OR IMPROPER ATTITUDE)

- **FAILURE TO APPLY THE RULES FOR SAFE GUN HANDLING**
- **FAILURE TO OBSERVE PROPER PROCEDURES FOR SAFELY OPERATING A PISTOL**



NRA RULES FOR SAFE GUN HANDLING

- **ALWAYS** KEEP THE GUN POINTED IN A SAFE DIRECTION
- **ALWAYS** KEEP YOUR FINGER OFF THE TRIGGER UNTIL READY TO SHOOT
- **ALWAYS** KEEP THE GUN UNLOADED UNTIL READY TO USE



SAFE TRIGGER FINGER POSITION

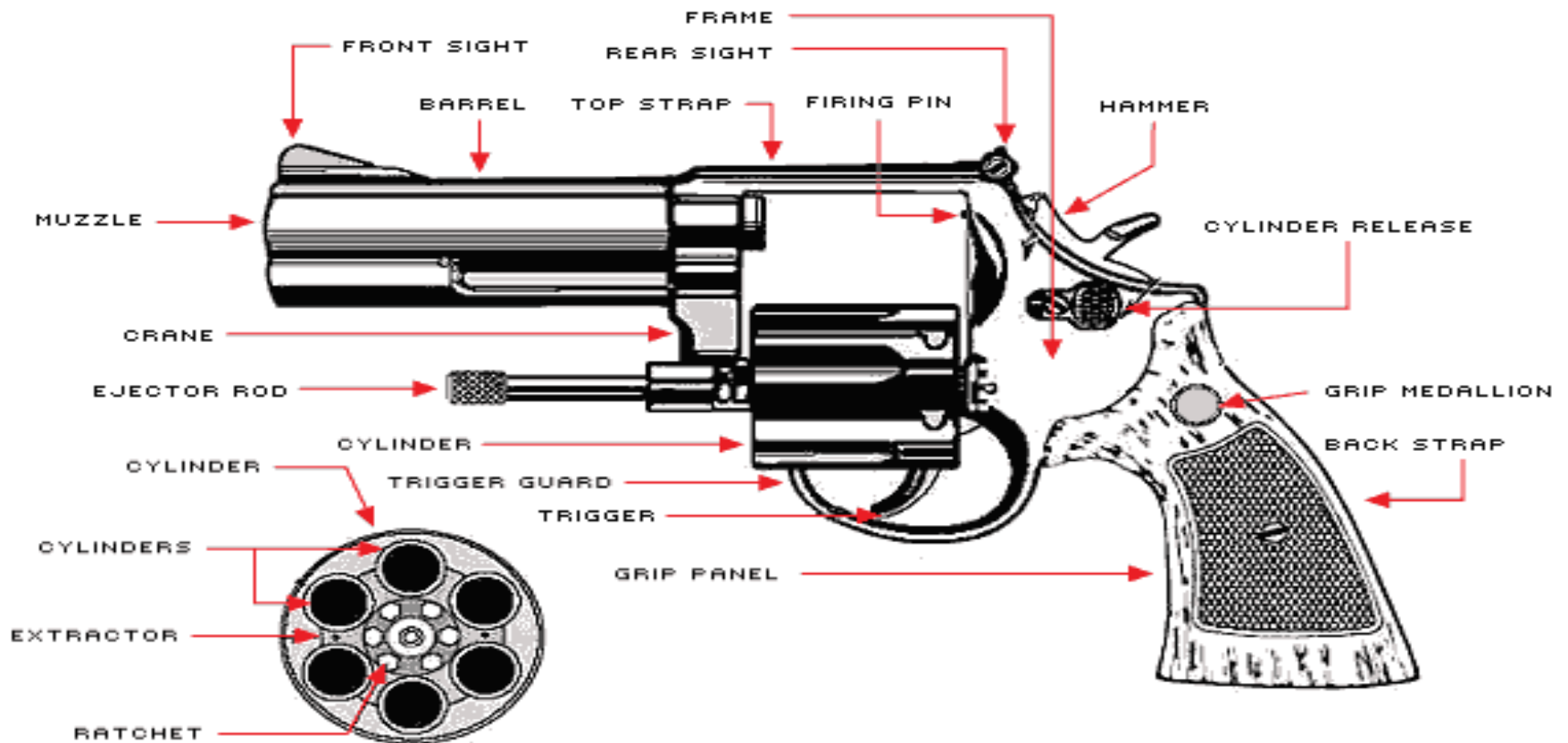


WITH THE PISTOL POINTED IN A SAFE DIRECTION, THE INDEX FINGER SHOULD BE PLACED ALONGSIDE THE FRAME OF THE PISTOL, ABOVE AND AWAY FROM THE TRIGGER GUARD.

RULE ONE

- ALWAYS KEEP THE MUZZLE OF THE HANDGUN POINTED IN A SAFE DIRECTION.
 - DON'T POINT THE MUZZLE OF A GUN AT ANY PROPERTY THAT YOU ARE NOT WILLING TO DESTROY—NOR AT ANY LIVING THING THAT YOU ARE WILLING TO KILL.

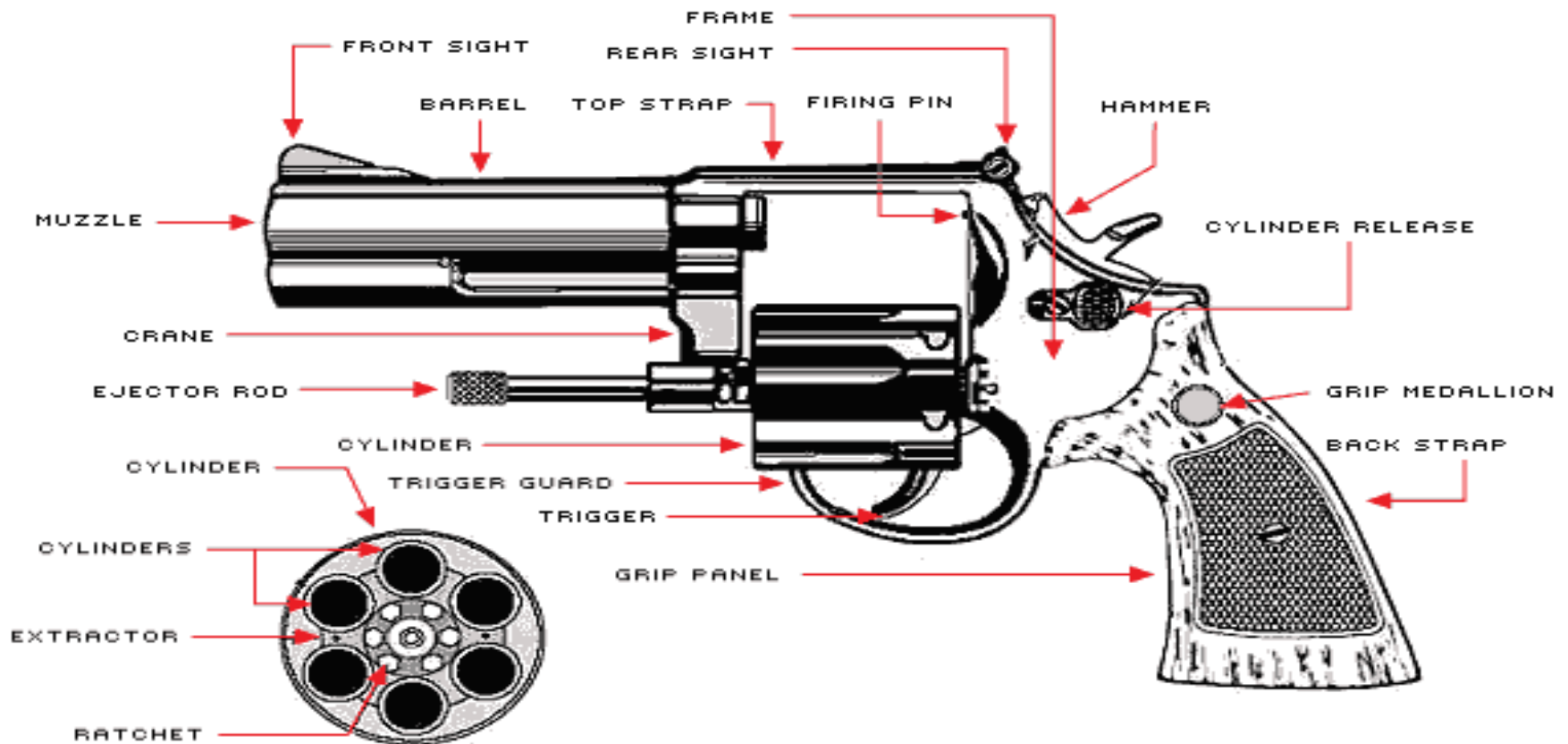
MUZZLE IN SAFE DIRECTION



RULE TWO

- KEEP YOUR FINGER OFF THE TRIGGER UNTIL YOU ARE READY TO FIRE THE HANDGUN.
 - KEEP THE FINGER OUT OF THE TRIGGER GUARD IF THERE IS ONE.
 - THERE IS NO REASON TO HAVE YOUR FINGER ON THE TRIGGER UNTIL YOU ARE READY TO FIRE.

FINGER OFF THE TRIGGER



RULE THREE

- ALWAYS KEEP THE GUN UNLOADED UNTIL YOU ARE READY TO USE IT.



KEEP IN HOLSTER WITH TRIGGER COVERED

- ALWAYS KEEP THE HANDGUN IN A HOLSTER **WITH THE TRIGGER COVERED** WHEN IT IS BEING CARRIED OR TRANSPORTED.
ALWAYS. ALWAYS. ALWAYS.



DON'T DO THIS!!!

- DANGER!!!!!!
- DANGER!!!!!!
- DANGER!!!!!!



Know your target and what is beyond it.



Know How to Use Your Handgun Safely

- Before handling a gun, learn how it operates.
 - Read the owner's manual for your gun.
 - Contact the manufacturer for a manual if you do not have one.
 - Know your gun's basic parts
 - How to safely open and close the action
 - How to remove the ammo from the gun

Know How to Use Your Handgun Safely

- No matter how much you know about guns, you must always take the time to learn the proper way to operate any new or unfamiliar firearm.
- Never assume that because one gun resembles another, they both operate similarly.

Know How to Use Your Handgun Safely

- Also, remember that a gun's mechanical safety is never foolproof.
- A MECHANICAL SAFETY CAN FAIL
 - AND THEY DO FAIL
 - THEY HAVE FAILED!!!!!!

Be Sure Your Handgun is Safe to Operate

- Just like other tools, guns need regular maintenance.
- Proper cleaning and storage are a part of the gun's general upkeep.
- If there is any question about a gun's ability to function, it should be examined by a knowledgeable gunsmith.
 - Proper maintenance procedures are found in the owner's manual.

Questions?