

# SERRALUNGA

MADE IN ITALY

Since 1825

## 2025 | Aqua Collection



Distributed by





# Passion for Innovation

Serralunga has always embraced innovation, pioneering several advancements in design and manufacturing. It was the first in Europe to develop rotational molding technology, introduce the design pot, and create out-of-scale and illuminated pots. Founded in Biella in 1825, the company has been led by the Serralunga family for six generations, evolving from a tannery into a leader in modern outdoor furniture. The introduction of rotational molding, imported from the U.S., sparked a revolution in Italian design, leading to iconic outdoor lighting and contemporary furniture. Committed to excellence, Serralunga continues to push the boundaries of materials, technology, and aesthetics, staying true to the "Made in Italy" legacy. By blending craftsmanship with innovation, the brand creates groundbreaking products that inspire and enhance everyday living.



## ***The Aqua Lounger***

**DESIGNED BY** MARC SADLER

---

French citizen born in Austria, Marc Sadler has lived and worked in France, North America, Asia and Italy. One of the first graduates in "esthétique industrielle" at the ENSAD in Paris with a thesis on plastics, he is a pioneer in experimentation on different materials and contamination between technologies, which has become distinctive aspects of his work. At the beginning of the seventies, he's perfected the first ski-boot in thermoplastic material completely recyclable, subsequently commercialized by the Italian firm Caber. Today, thanks to his eclecticism, he's a consultant for a wide range of industry companies. Awarded 4 times with the Compasso d'Oro by ADI, the Industrial Design Association, (1994, 2001, 2008 e 2014) his work has won many international design awards over the years. Marc is the mastermind behind Serralunga's Aqua Lounger.



The Aqua Loungers, shown in the photo above, feature both options with and without the riser, providing versatility for varying pool ledge depths.

---

For in pool use it can be combined with the Aqua Riser (optional); an element which allows more comfort in a maximum water level of 8 inches. The Aqua Riser can be simply connected to the Aqua Lounger through four connection points.

---



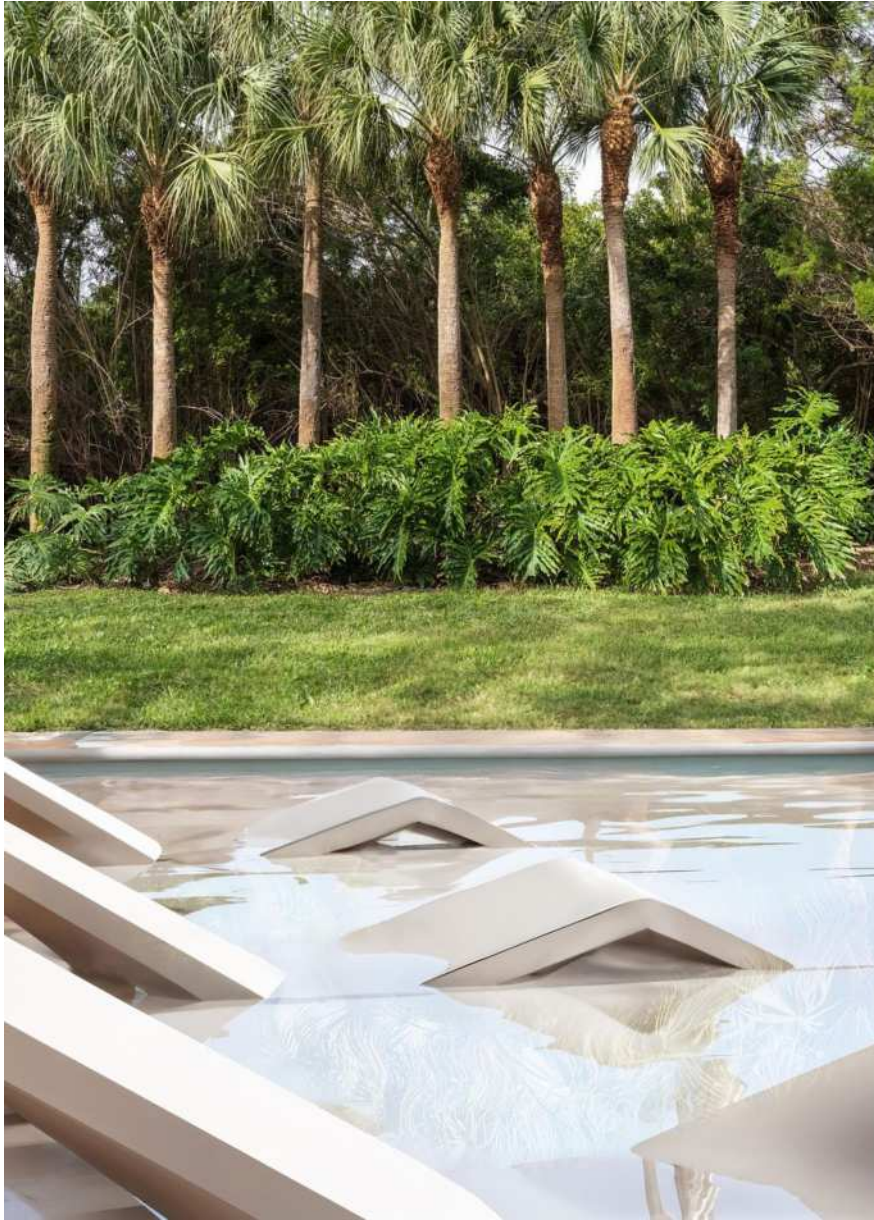


---

Versatile design allows for use both in and out of the pool, providing comfortable, stylish seating on the deck or a relaxing in the water.









*Above: Aqua Lounger (without riser), Fiore di Loto and Aqua Table*



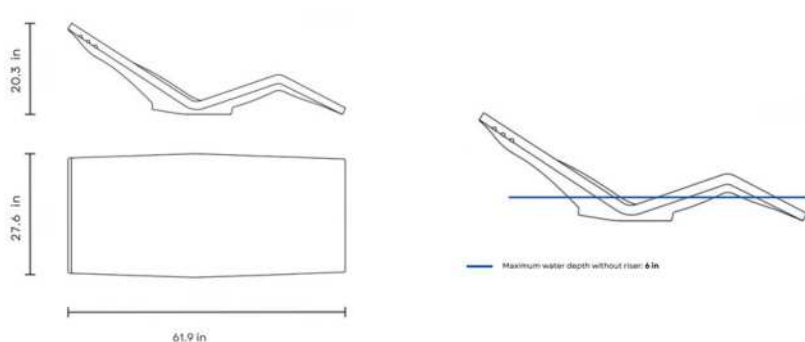


Light: Fiore di Loto  
Table: Aqua Table  
Lounge: Aqua Lounger & Riser

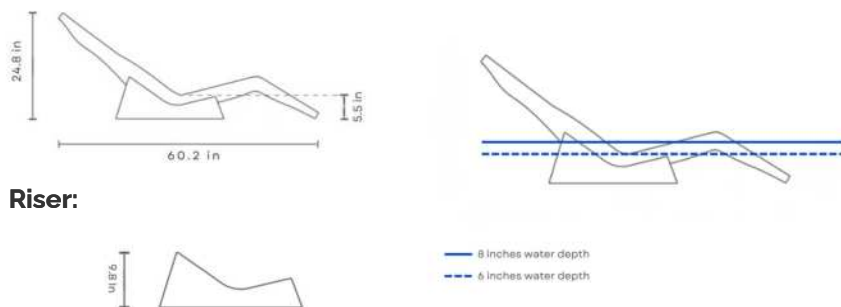
## Aqua Lounger | Product Specifications & Assembly

### Specifications

**Aqua without Riser:** Designed for use on pool ledges up to 6 inches deep



**Aqua with Riser:** Designed with a riser for use on pool ledges up to 8 inches deep



**Riser:**



### Assembly

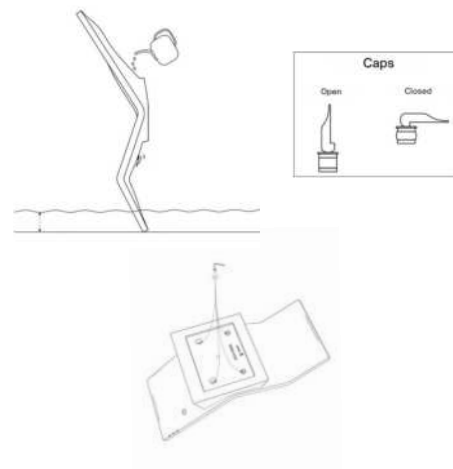
**Open the Caps:** Lift the lever on both caps located on the lower side of the Aqua chaise lounge and remove them.

**Soak the Chaise Lounge:** Submerge the Aqua chaise lounge in water for a few minutes to allow it to absorb initial weight.

**Fill with Water:** Close one of the caps, then proceed to fill the chaise lounge with water until it is weighted enough to stay securely in place.

**Seal & Use:** Close the second cap completely. Your Aqua chaise lounge is now ready for use in the water.

**(Option) Attach Aqua Riser:** Use four screws to attach the Aqua Riser to the underside of the Aqua chaise lounge.



*Aqua Lounger*



\* White

RO-AQUA/23F-WH

157L x 70W x 51.5H

*Aqua Riser*



\* White

RO-AQUARISER-WH

70.5L x 63.5W x 25H

*Aqua Plano (Side Table)*



\* White

RO-AQUAPLANO-WH

45L x 45W x 40H

*Fiore di Loto - with light*



\* White

RO-LOTO/LB-NT

52L x 95W x 112H

\* Items in stock in White, with 2-3 week lead time.

*Material:* Made from LLDPE (linear low-density polyethylene)

*Production method:* Rotational molding

*Features:* Suitable for outdoor use and all-weather resistant. UV protection, 100% recyclable material, solution dyed. High degree of mechanical strength and resistance to impacts. Resistant to temperatures, minus 35°C plus 80°C.

*Special order  
standard colors*



Azzurro Di Provenza



Salvia Di Sardegna



Aqua Della Maddalena



Pietra Di Matera



Tortora Di Torino

*Special order  
Moleskin colors*



Rose



Blue Mediterranean



Lime



Grape



Champagne

All colors are all special order, with 12+ week lead time.

*Additional information on Moleskin Finish (colors on Right):* Moleskin is 100% recyclable LLDPE (linear low-density polyethylene) material, that is soft and durable with a brushed, suede-like finish. It offers easy maintenance, fast drying and UV resistance. Inquire for details!



**Authorized distributor of Serralunga USA**  
41 Franklin Street - Quincy, MA  
P 800.611.6396  
F 617.479.6369  
[www.sitoutdoor.com](http://www.sitoutdoor.com)  
Instagram: @sit\_outdoor