



Combi Compact ECO RF

Spare Parts Manual September 2013

Contents

Introduction	3
Boilers and accessories range	4
Service kit	5
Coverplate	6
Wall mounting frame	8
Outercase	10
Heat exchanger (watersided) Combi boilers	12
Flue pipe/condensate system	14
Gas unit with tunnelventuri fan 24 V	16
Burner unit	18
Boiler control	20
Wiring Combi Compact ECO RF	22

Introduction

In the following pages you will find the spare parts information for the Intergas Combi Compact ECO RF high efficiency boilers.

We have provided exploded views, diagrams and article numbers for your information about all the Combi Compact ECO RF boiler types.

All prices are list price. V.A.T. and delivery costs are not included.

Please quote the article number and description when ordering spare parts.

We have an ongoing policy of continual improvement and development, therefore we reserve the right to change specifications without prior notice.

Boilers and accessories range

Intergas Combi Compact ECO RF boilers.

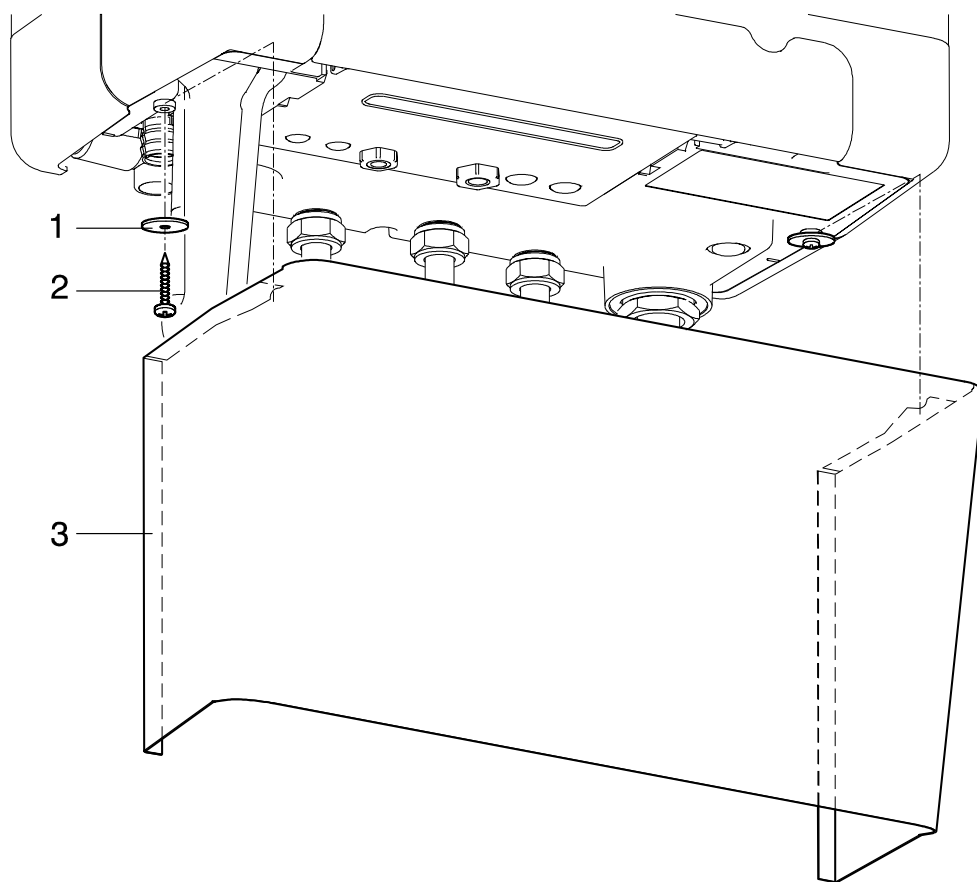
Article number.	Description	Remark	Price
049507	Combi Compact ECO RF 24		
049567	Combi Compact ECO RF 30		
049627	Combi Kompakt ECO RF 36		
093217	Valve coverplate		
093187	Mounting Jig + exp. vessel S		
093197	Mounting Jig + exp. vessel M		
093207	Mounting Jig + exp. vessel L		
203207	Outside sensor Intergas	NTC 12kOhm	
065117	Hot water cylinder thermostat	For System boilers only	
665017	Return pipe + non return valve		
092637	2-Way valve	For Underfloor heating installations only	
	Propane conversion set ECO RF 24		
	Propane conversion set ECO RF 30		
	Propane conversion set ECO RF 36		
082970	Horizontal offset wall terminal	Centered wall position	
086842	Vertical roof terminal		
082975	Extension l=1000		
082974	Plume management kit		
084660	Bend 90°		
084661	Bend 45°		
082976	Deflector kit		
087910	Weather slate (steep roof)		
087372	Weather slate (flat roof)		

Service kit

Article no.	Name	Remark	
065537	Service Kit Combi ECO RF		
	Contents		
074397	Fan	1	
074607	Ignition cable + cap	1	
074647	Boiler controller (PCB)	1	
200117	NTC 1 - 2	4	
200177	NTC DHW	2	
209327	Ignition pin	2	
210337	Pump Yonos	1	
240307	Fuse F1, 3.15 A-T	5	
801527	Gasvalve Siemens Smart	1	
801537	Ignition module Siemens Smart	1	
844797	Flowsensor Sika	1	
864087	Pressure sensor CH	1	
873027	Clip	2	
873537	Clip pressure sensor	1	
875677	Gasket ignition pin	2	
875737	O-ring 15x2 nbr 70sh	5	
875757	Gasket (gas) 21.5/15.5	5	
875827	O-ring 19 x 2	5	
876467	sealring frontplate small	1	
877927	sealring frontplate medium	1	
876597	sealring frontplate large	1	
886807	Sticker (Electrical connections)	2	

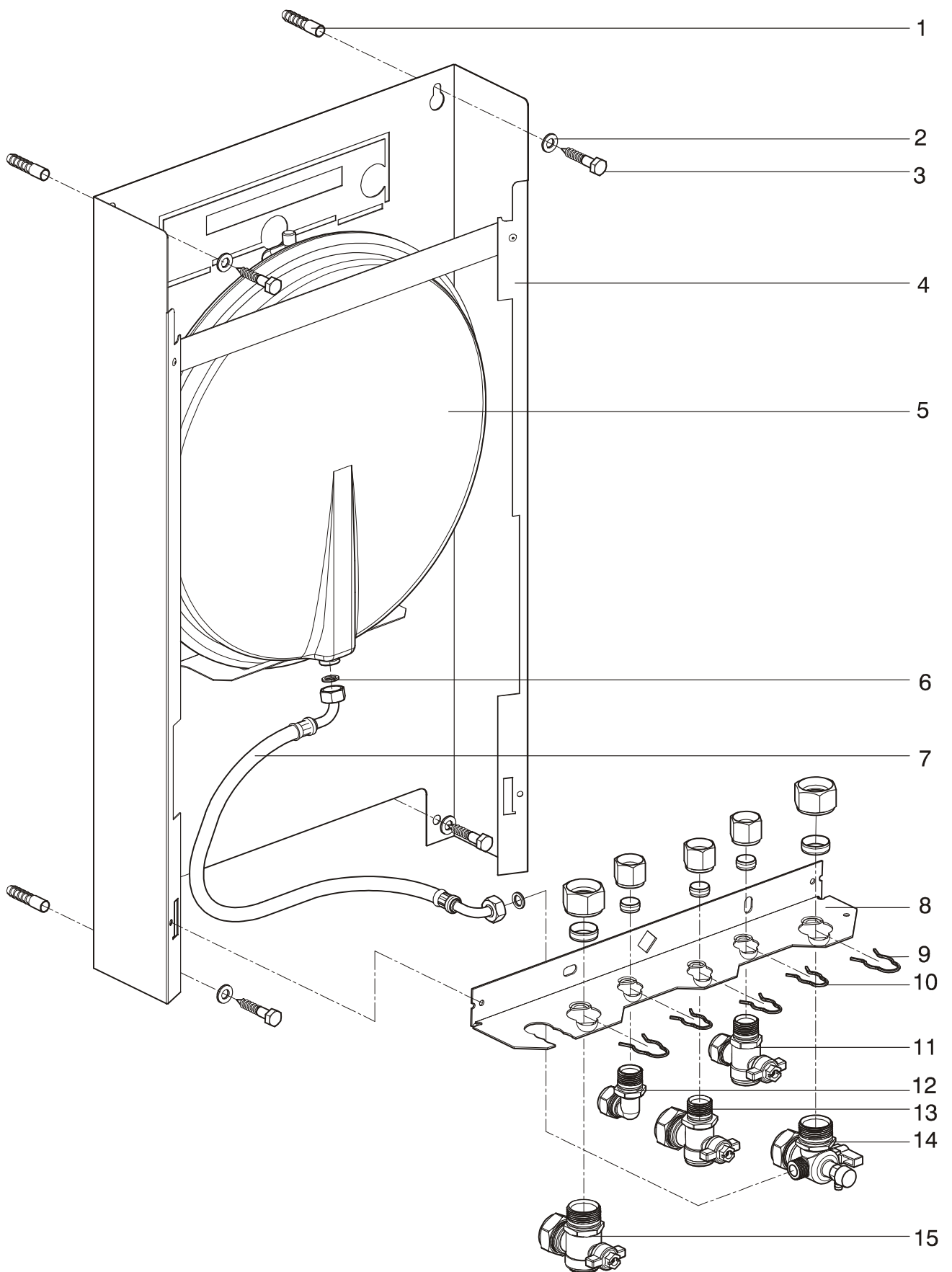
Coverplate

<i>Pos.nr.</i>	<i>Artikle no.</i>	<i>Name</i>	<i>Remark</i>	
	093217	Valve coverplate		
1	147307	Ring coverplate	2 pcs	
2	362117	Screw plastite	2 pcs	
3		Coverplate		



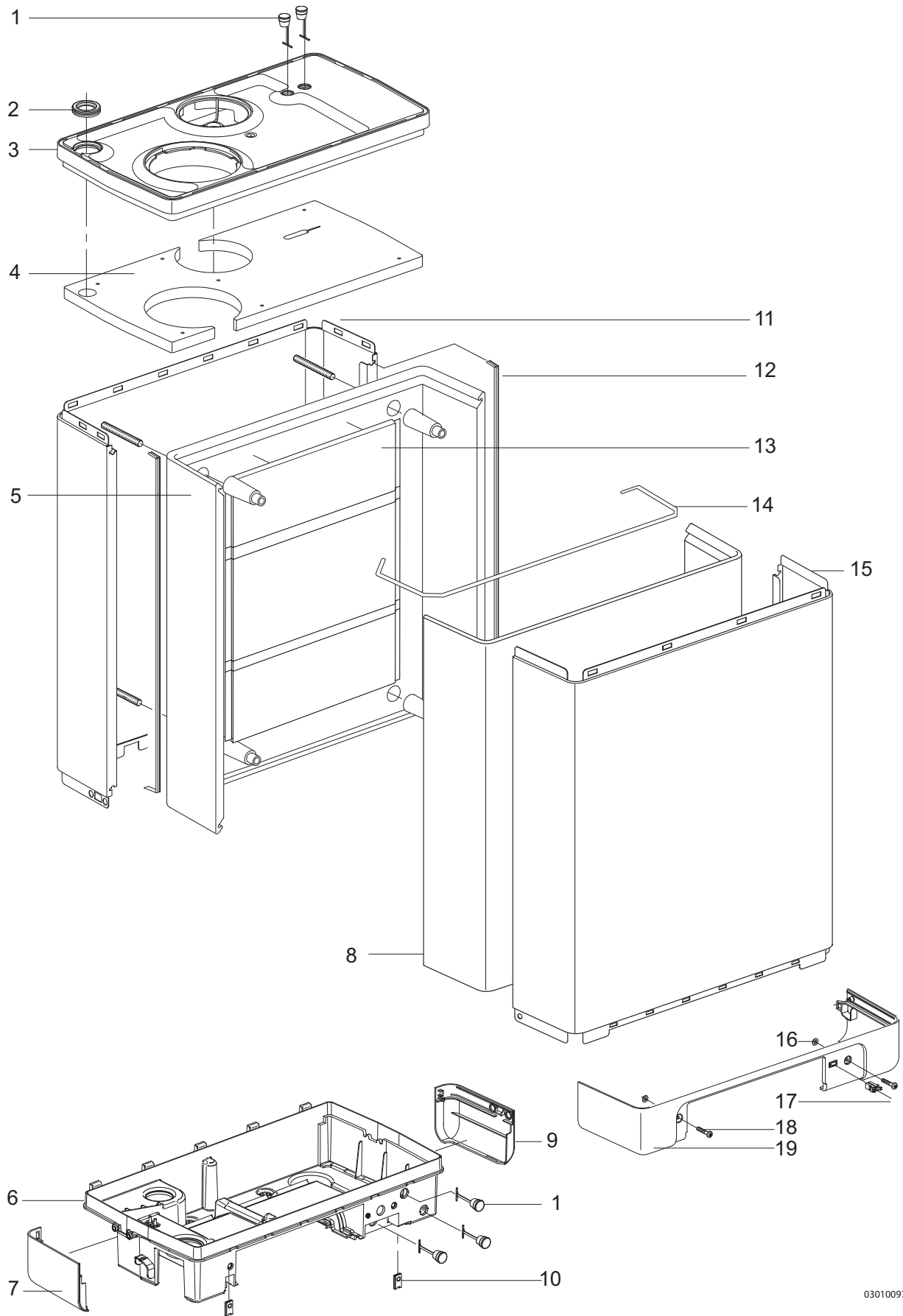
Wall mounting frame

Pos.nr.	Artikle no.	Name	Remark	
	093187	Wall mounting frame small	Combi Compact ECO RF 24	
	093197	Wall mounting frame mall	Combi Compact ECO RF 30	
	093207	Wall mounting frame small	Combi Compact ECO RF 36	
1	390047	Plug U-10	4 pcs	
2	324007	Ring 8 mm	4 pcs	
3	381017	Thread Screw M8*45	4 pcs	
4	147168	Frame small		
	147158	Frame medium		
	147138	Frame Large		
5	864107	Exp.vessel		
6	875847	Seal ring 14*9*1.5	2 pcs	
7	859617	Flex. hose		
8	147118	Mounting plate		
9	873557	Clip 22 mm nipples	2 pcs	
10	875367	Clip 15 mm nipples	3 pcs	
11	842287	Cold water valve	(complete)	
12	822217	Hot water knee	(complete)	
13	842297	Gas valve	(complete)	
14	842277	Return valve	(complete)	
15	842267	Flow valve	(complete)	



Outercase

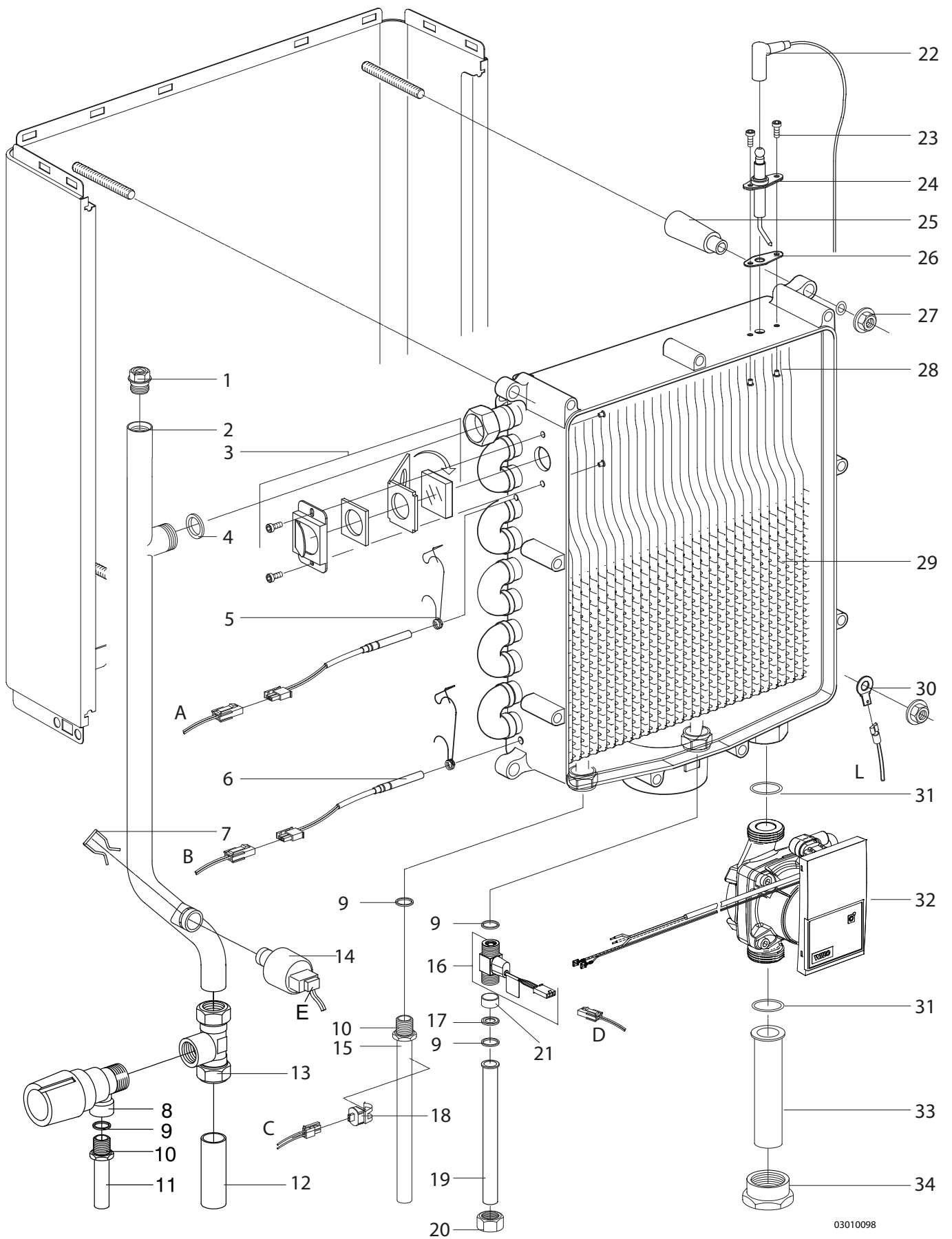
Pos.nr.	Artikle no.	Name	Price		Combi Compact ECO RF 24	Combi Compact ECO RF 30	Combi Compact ECO RF 36
1	490097	Cap (5 per boiler)			•	•	•
2	878287	Grommet flowpipe (2 per boiler)			•	•	•
3	845317	Top cover			•	•	•
4	876447	Isolation topside			•	•	•
5	879457	Isolation back cover small			•		
	879397	Isolation back cover medium				•	
	879337	Isolation back cover large					•
5	878557	Grommet (pump)			•	•	•
	878487	Grommet (drain)					
6	845327	Bottom			•	•	•
7	845347	Side cover left			•	•	•
8	876427	Isolation front cover small			•		
	876437	Isolation front cover medium				•	
	876367	Isolation front cover large					•
9	845357	Side cover right			•	•	•
10	390077	Speednut 4.2 (2 per boiler)			•	•	•
11	146698	Rear cover small			•		
	146768	Rear cover medium				•	
	146778	Rear cover large					•
12	664027	Seal cover rear (L = 565 mm)	2 per boiler		•		
	664037	Seal cover rear (L = 625 mm)	2 per boiler			•	
	664047	Seal cover rear (L = 685 mm)	2 per boiler				•
13	879467	Vacuum panel isolation small			•		
	879407	Vacuum panel isolation medium				•	
	879347	Vacuum panel isolation large					•
14	873547	Clip isolation (4 per boiler)			•	•	•
15	146688	Front cover small			•		
	146748	Front cover medium				•	
	146758	Front cover large					•
16	320067	Retaining clip (2 per boiler)			•	•	•
17	390167	Push-push lock			•	•	•
18	362167	Locking screw frontcover	2 per boiler		•	•	•
19	845337	Bottom cover frontside			•	•	•



03010097

Heat exchanger (watersided)

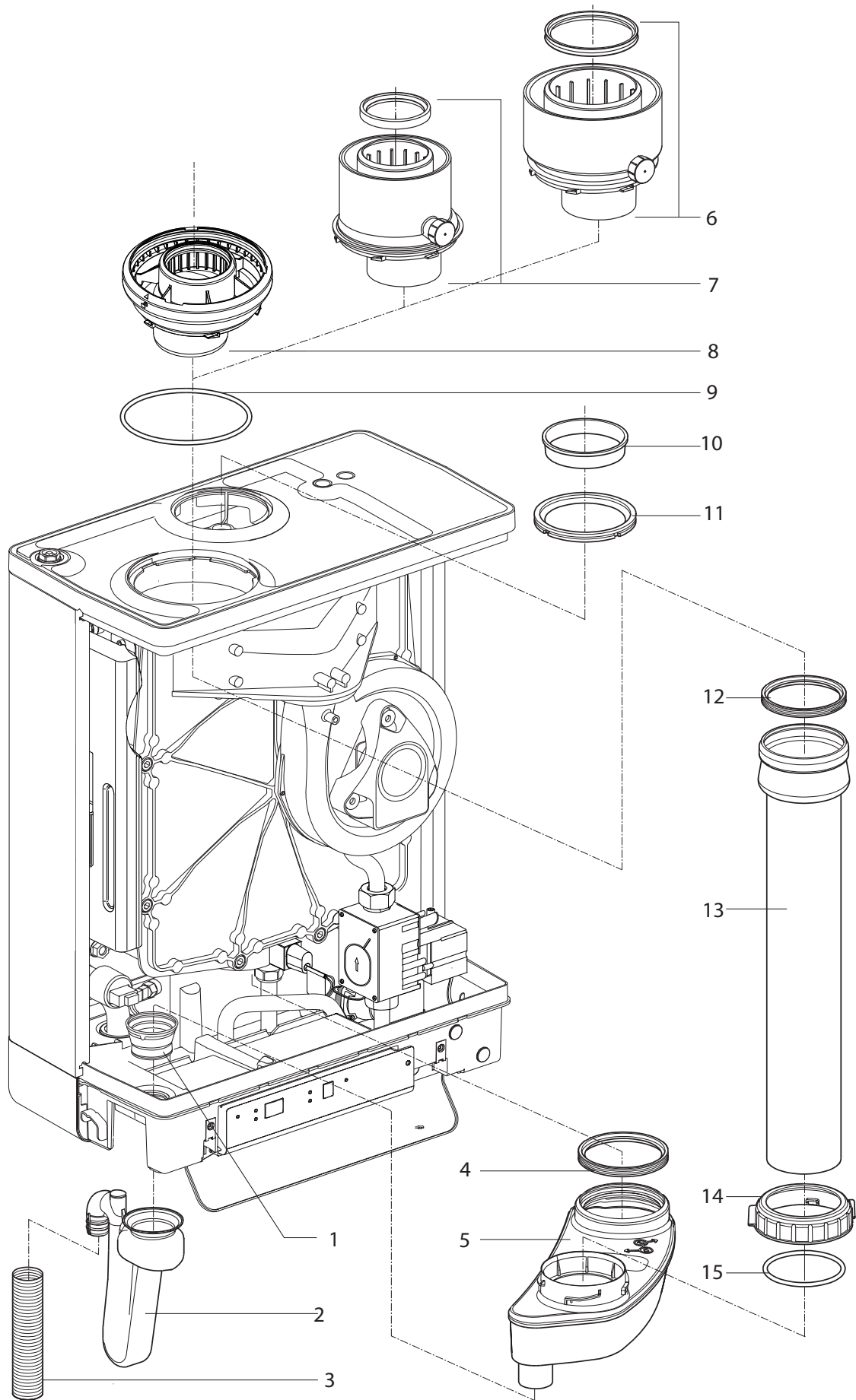
Pos.nr.	Artikle no.	Name	Remark	Price	Combi Compact ECO RF 24	Combi Compact ECO RF 30	Combi Compact ECO RF 36
1	843017	Air release vale 3/8 "G (manual)			•	•	•
2	854667	Flowpipe small			•		
	854657	Flowpipe medium				•	
	854627	Flowpipe large					•
3	081097	Inspection glass replacement set			•	•	•
4	875517	Bonded seal 3/4"			•	•	•
5	873337	Clip NTC 1 and NTC 2	2 per boiler		•	•	•
6	200117	NTC 1 - 2	2 per boiler		•	•	•
7	873537	Clip pressure sensor			•	•	•
8	844417	Pressure Relieve Valve 1/2"	WRAS approved		•	•	•
9	875907	Seal ring	4 per boiler , WRAS approved		•	•	•
10	825077	Thread ring			•	•	•
11	854647	Drain pipe PRV			•	•	•
12	854637	Flow pipe (extension)			•	•	•
13	823097	T-compression fitting			•	•	•
14	864087	Pressure sensor CH			•	•	•
15	854587	Hot water pipe			•	•	•
16	844797	Flow sensor Sika			•	•	•
17	829287	Flow restrictor replacement ring			•	•	•
18	200177	NTC DHW	Clip type		•	•	•
19	854527	Cold water pipe			•	•	•
20	826047	Nut 1/2"			•	•	•
21	845127	Spacer ring flow sensor			•	•	•
22	221467	Ignition cable + cap			•	•	•
23	305137	Bolt M4x10	2 pcs for ignition pin		•	•	•
24	209327	Ignition pin			•	•	•
25	878517	Spacer	4 per boiler		•	•	•
26	875677	Gasket ignition pin			•	•	•
27	313047	Lock nut M8	4 per boiler		•	•	•
28	319047	Insert M4	4 per boiler		•	•	•
29	147187	Heat exchanger Combi smalli			•		
	147197	Heat exchanger Combi mediumi				•	
	147207	Heat exchanger Combi large					•
30	231107	Earth connection			•	•	•
31	875567	Pump seal 1"	2 per boiler		•	•	•
32	210247	Pump Yonos	Incl. pump cable		•	•	•
33	828287	Return pipe			•	•	•
34	826207	Pump nut 1"			•	•	•



03010098

Flue pipe/condensate system

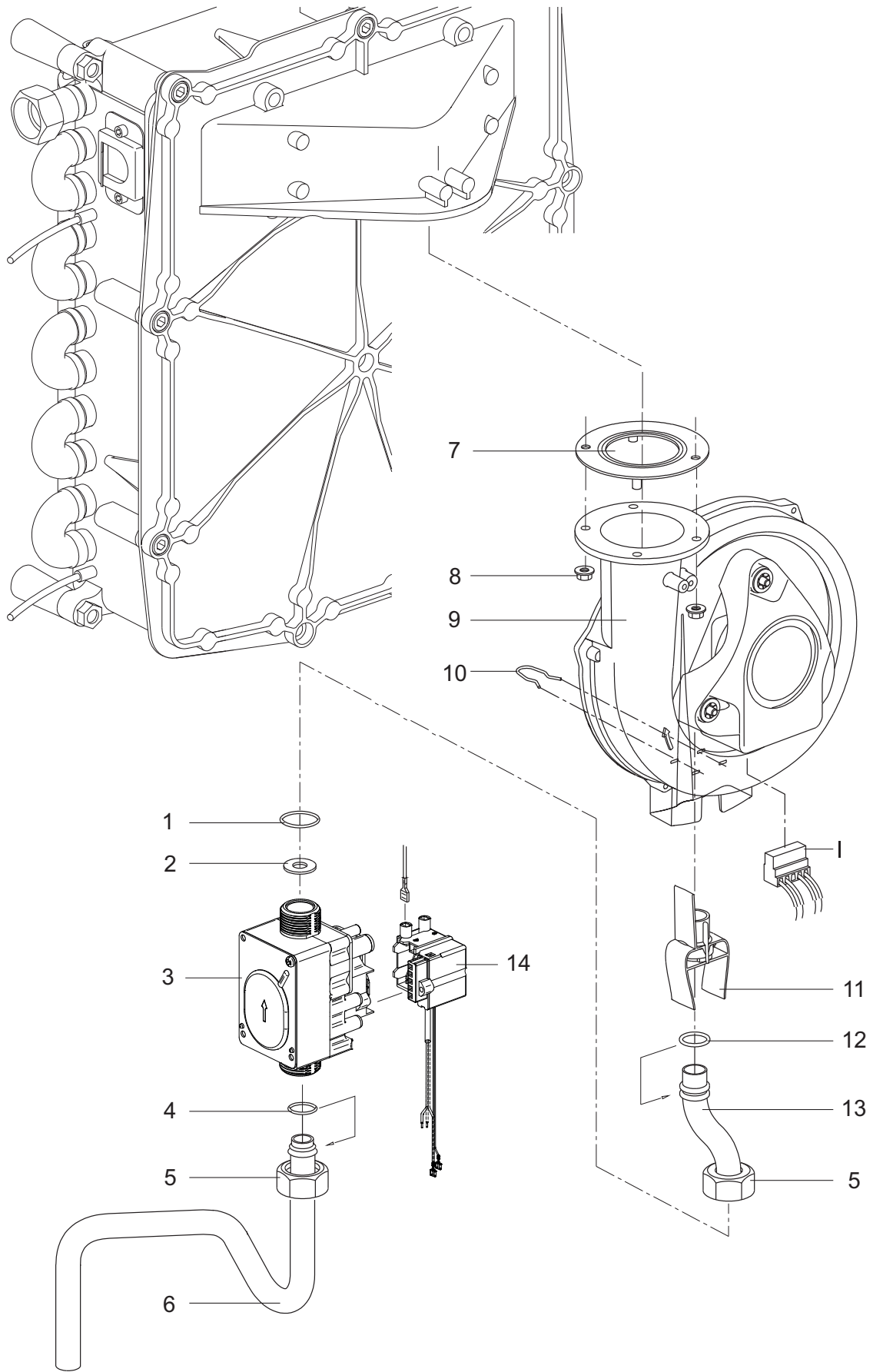
Pos.nr.	Artikle no.	Name	Price	Combi Compact ECO RF 24	Combi Compact ECO RF 30	Combi Compact ECO RF 36
1	878577	Grommet condensate trap		•	•	•
2	844187	Condensate trap		•	•	•
	844787	Condensate trap l=235				
3	594157	Hose ø 25 x21 l=600mm		•	•	•
4	878147	Seal ø76		•	•	•
5	847037	Condensate collector		•	•	•
6	090557	Adapter set ø80/125 (incl. pos. 10)		•	•	•
7	090547	Adapter set ø60/100 (incl. pos 10)		•	•	•
8	847137	Adapter (basis for elbow in flue set)		•	•	•
9	878527	O-ring ø115x4		•	•	•
10	490087	Cap air connection		•	•	•
11	878387	Seal ring air connection 90-80		•	•	•
12	878547	Seal ring 70x82		•	•	•
13	847007	Flue pipe small		•		
	847017	Flue pipe medium			•	
	847027	Flue pipe large				•
14	847057	Securing Nut flue pipe		•	•	•
15	878537	O-ring ø68x4		•	•	•



03010076

Gas unit ECO RF

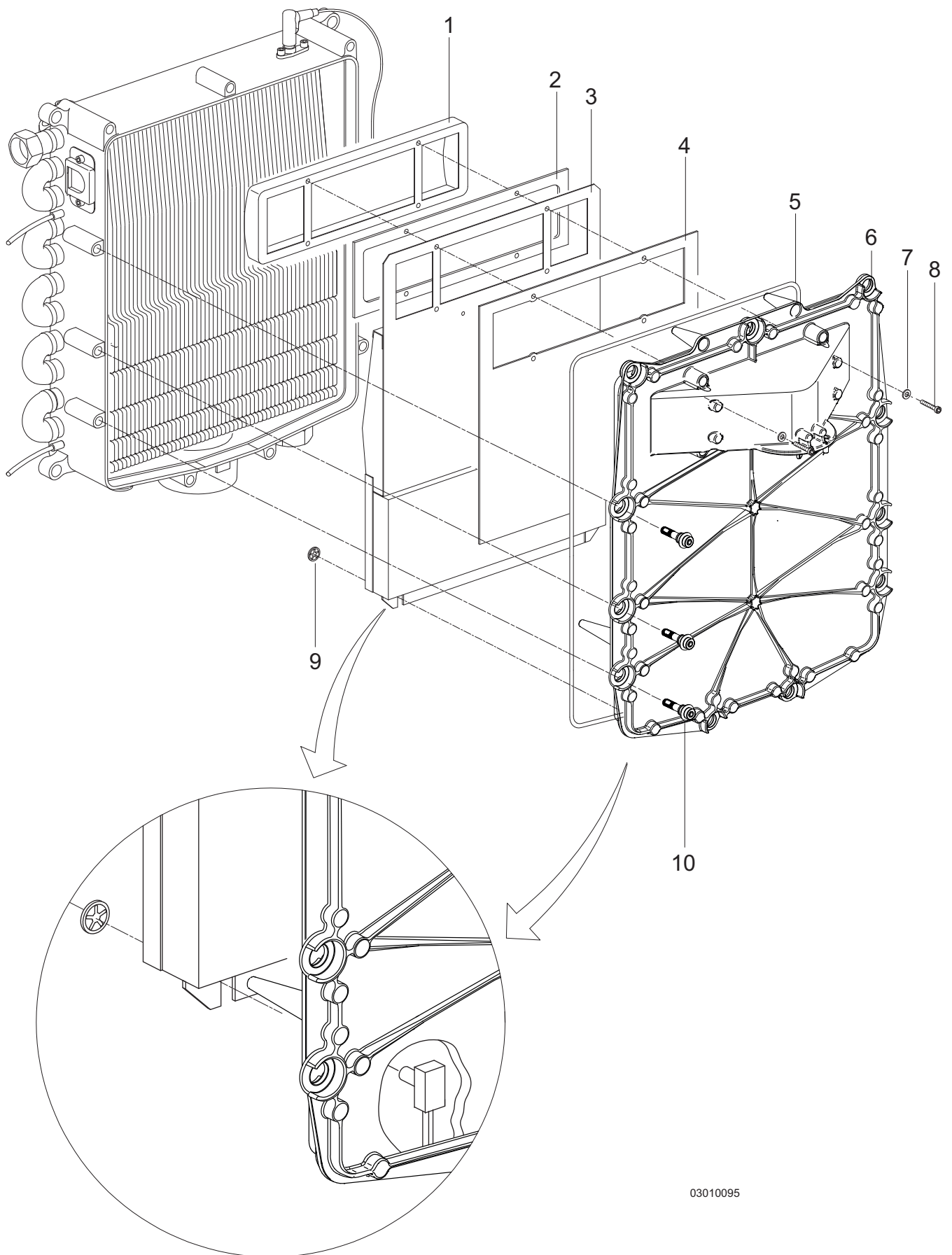
Pos.nr.	Artikle no.	Name			Combi Compact ECO RF 24	Combi Compact ECO RF 30	Combi Compact ECO RF 36
1	875827	O-ring 19 x 2			•	•	•
2		Conversion set Natural gas (restriction ring 505)	For Natural gas G20		•		
		Conversion set Natural gas (restriction ring 600)	For Natural gas G20			•	
		Conversion set Natural gas (restriction ring 655)	For Natural gas G20				•
		Conversion set Propane gas (restriction ring 410)	For Propane gas G31		•		
		Conversion set Propane gas (restriction ring 480)	For Propane gas G31			•	
		Conversion set Propane gas (restriction ring 525)	For Propane gas G31				•
3	801527	Gas valve Siemens Smart VGU 76 s			•	•	•
4	875757	Gasket (gas) 21.5/15.5			•	•	•
5	826067	Nut ¾ ø19			•	•	•
6	854537	Gas supply pipe			•	•	•
7	877807	Fan seal			•	•	•
8	312027	Flange nut M5 (2 per boiler)			•	•	•
9	074507	Fan replacement set tunnelventuri fan			•	•	•
10	873027	Clip			•		
11	829667	Gas air module 471			•		
	829547	Gas air module 406				•	
	829527	Gas air module 362					•
12	875967	O-ring 15x1,5 NBR 70sh			•	•	•
13	854717	Gas mix pipe L=51			•		
	854727	Gas mix pipe L=111				•	
	854737	Gas mix pipe L=171					•
14	801537	Igniton module Siemens TQG 43				•	•
I			Wiring, see page 22		•	•	•



03010099

Burner unit

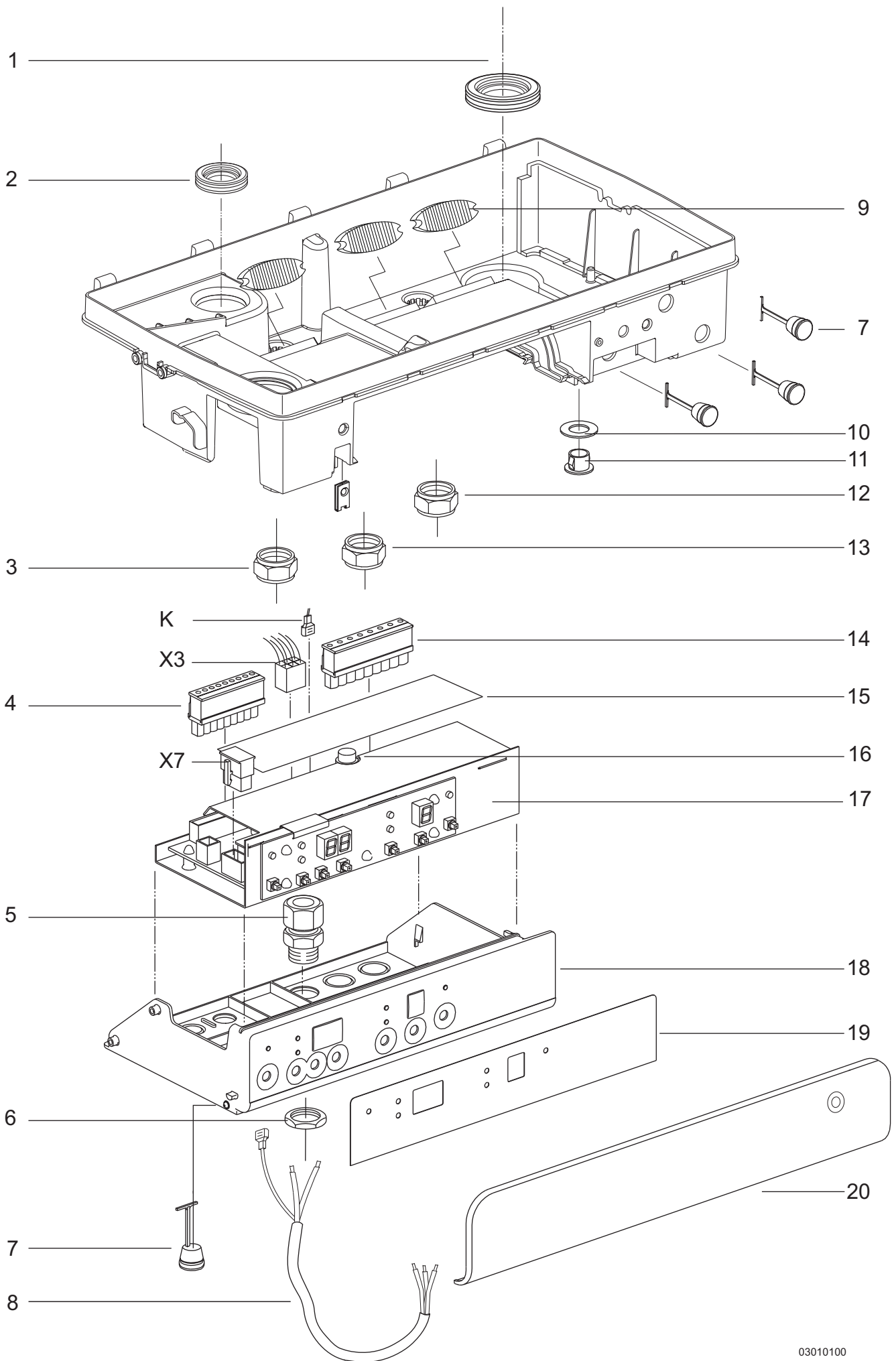
Pos.nr.	Artikle no.	Name		Price	Combi Compact ECO RF 24	Combi Compact ECO RF 30	Combi Compact ECO RF 30
1	800327	Burner knit			•	•	•
2	877847	Seal burner			•	•	•
3	073647	Isolation package small			•		
	073597	Isolation package medium				•	
	073607	Isolation package large					•
4	876457	Isolation frontplate			•	•	•
5	876467	Seal ring frontplate small			•		
	877927	Seal ring frontplate medium				•	
	876597	Seal ring frontplate large					•
6	858977	Frontplate small			•		
	858987	Frontplate medium				•	
	858997	Frontplate large					•
7	875917	O-ring 6*1.5 silicone	4 per boiler		•	•	•
8	362217	Plate screw T20	4 per boiler		•	•	•
9	390087	Starlock 4mm	2 per boiler		•	•	•
10	305157	Sholder bolt incl. dry-loc	9 per boiler		•		
			11 per boiler			•	•



03010095

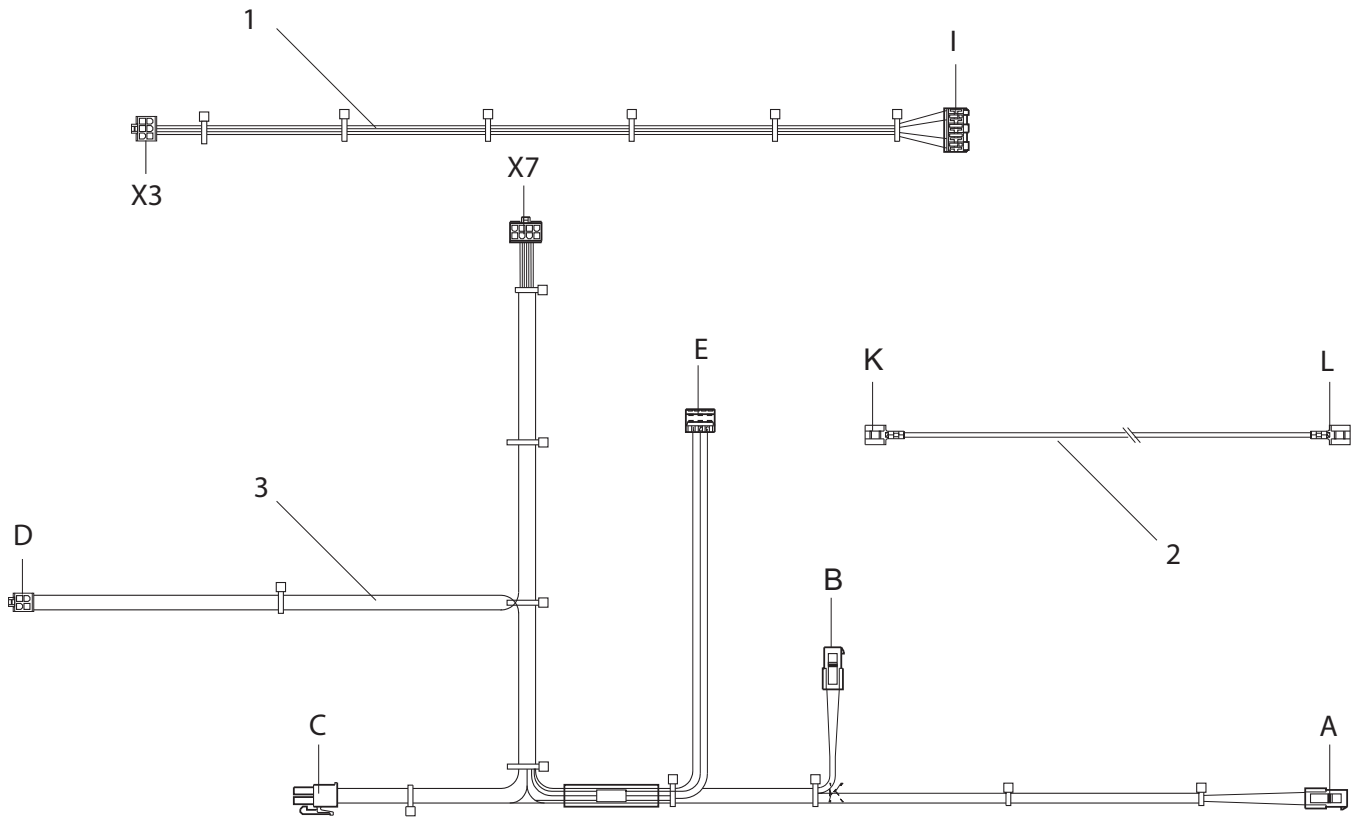
Boiler control

Pos.nr.	Artikle no.	Name	Remark	Price	Combi Compact HRE 24/18	Combi Compact HRE 28/24	Combi Compact HRE 36/30
1	878557	Grommet pump			•	•	•
2	878287	Grommet flow pipe	2 per boiler		•	•	•
3	826087	Nut red			•	•	•
4	260427	Connector 9 pins 5mm 24V			•	•	•
5	260467	Cable support nut I M16x1,5			•	•	•
6	260457	Nut M16x1,5			•	•	•
7	490097	Cap	6 per boiler		•	•	•
8	221637	Power cord			•	•	•
9	878567	Cable transfer sleeve	3 per ketel		•	•	•
10	876207	Gasket			•	•	•
11	866147	Drain			•	•	•
12	826077	Nut blue			•	•	•
13	826097	Nut yellow			•	•	•
14	260417	Connector 8 pins 7,5 mm, 230 V			•	•	•
15	886807	Sticker electrical connections			•	•	•
16	240307	Fuse F1 3.15 A-T			•	•	•
17		Boiler controller ECO RF			•	•	•
18	845367	Casing boiler controller			•	•	•
19	885607	Display sticker ECO RF 24			•		
	885617	Display sticker ECO RF 30				•	
	885627	Display sticker ECO RF 36					•
20	843967	Display venster ECO RF			•	•	•



03010100

Wiring Combi Compact ECO RF



03010073

Pos.nr.	Artikle no.	Name	Remarks	Price	Combi Compact ECO RF 24	Combi Compact ECO RF 30	Combi Compact ECO RF 36
1	221727	Fan cable ECO RF			●	●	●
2	221737	NTC cable ECO RF			●	●	●
3	221437	Earth cable			●	●	●

Blank lined writing area consisting of 30 horizontal lines.

Building 94, Bay 1, Vantage Point
The Pensett Estate
Kingswinford
West Midlands
DY6 7FS
Tel: 01527 888000
Fax: 01527 279487
www.intergasheating.co.uk