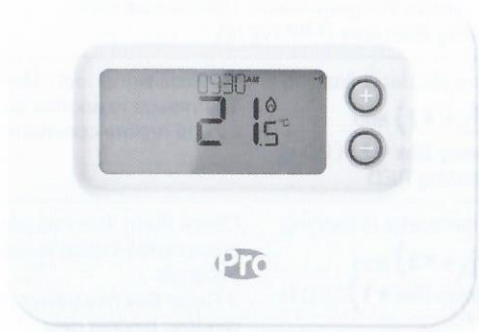


WIRED & WIRELESS PROGRAMMABLE THERMOSTAT

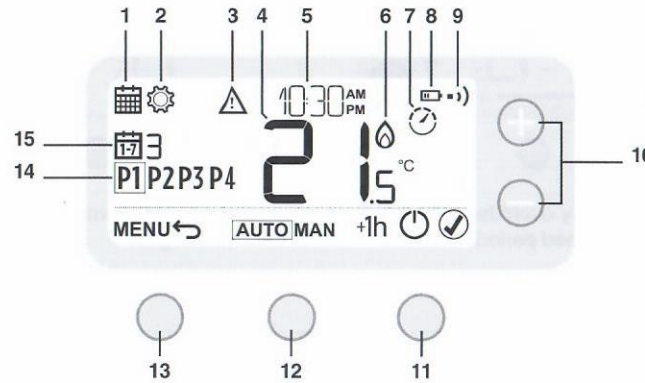


User Guide

FPP15206
FPP16216



1 Screen and button overview



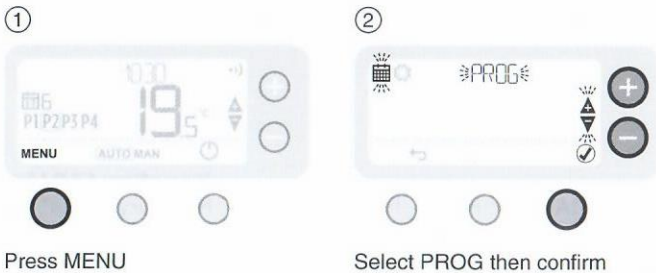
- 1 Programming Menu
- 2 Settings Menu
- 3 Alert
- 4 Room Temperature
- 5 Current time
- 6 Heat demand
- 7 Optimisation
- 8 Low battery
- 9 Wireless signal (FPP16216 only)
- 10 Temperature adjust
- 11 Right button
- 12 Middle button
- 13 Left button
- 14 Schedule period
- 15 Day

2 Programming the Schedule

Default Schedule

	P1	P2	P3	P4
	6:30	8:00	18:00	22:30
	21°C	16°C	21°C	16°C

Adjusting the Schedule



Copy Day



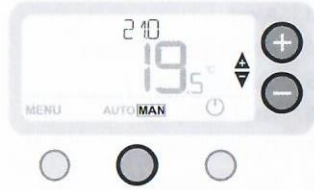
3 Device Modes

“AUTO”



Programmed schedule is followed

“MAN”



Only set temperature is followed

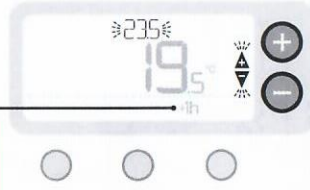
“OFF”



Heating is OFF

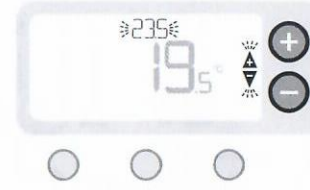
4 Temperature Override

“AUTO”



Temporary override until next programmed period

“MAN”



Permanent override until manually changed

“+1h”



Press for one hour override

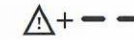
6 Troubleshooting



10% battery power



Battery critical low



Faulty sensor

Wireless Programmable Thermostat and Relay Box only (FPP16216)

Thermostat is flashing

and Relay Box LED is flashing RED

Wireless signal lost - Move the Thermostat to another location to try and restore communication.

Thermostat is flashing

and Relay Box LED is off.

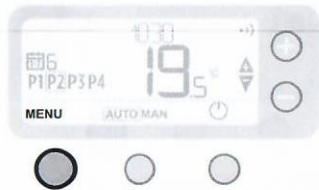
Check Relay Box has power by pressing the button to switch boiler on. If Relay Box has power then no wireless binding data stored - contact your installer.

Relay Box LED is flashing RED slowly.

Relay Box is in binding mode - will time out of this mode after 3 minutes.

5 Date and Time

①



Press MENU

②



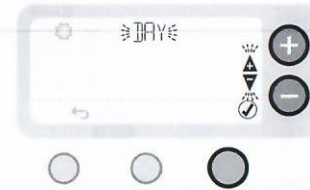
Select SETTINGS then confirm

⑤



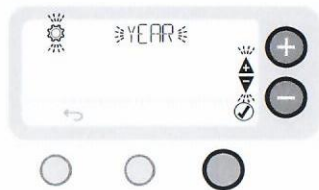
Set MONTH (1-12) then confirm

⑥



Repeat steps to set DAY, HOUR and MINUTE

③



Select YEAR then confirm

④



Set YEAR then confirm

Primaflow F&P LTD

unit 1A Votec House, Hambridge Lane, Newbury, RG145TN
t: 01788 527701 w: primaflowfandp.co.uk

Registered office: Votec House, Hambridge Lane, Newbury RG14 5TN
Registered No. 02662075 England VAT No. 340 049 632

WIRELESS PROGRAMMABLE THERMOSTAT

Installation Guide



FPP16216



The Thermostat and Relay Box in this pack are pre-bound.

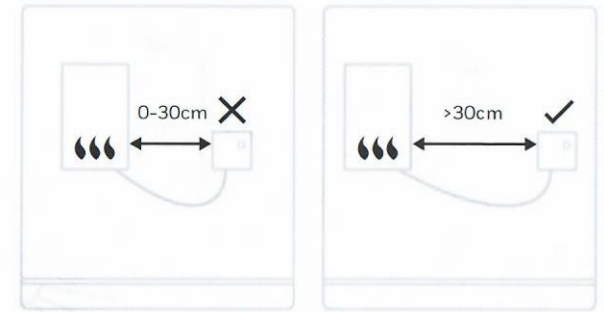
Must be installed by a competent person.

To ensure your safety make sure the mains power is switched OFF before accessing wiring.

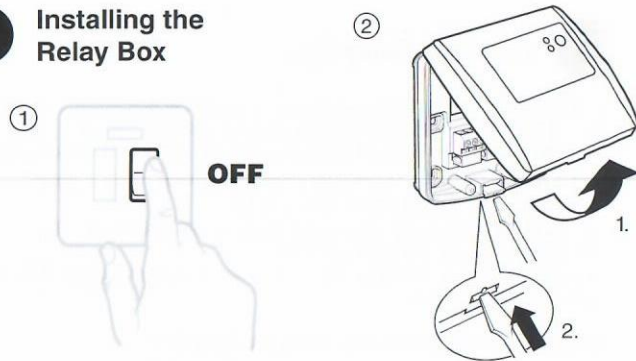
To prevent a short circuit from a loose wire:

- **Multi-core cables:** Only remove enough outer insulation to allow secure fixing of the cores into the terminal block.
- **Single core cables:** Secure them together with a cable tie as close as possible to the terminal block.

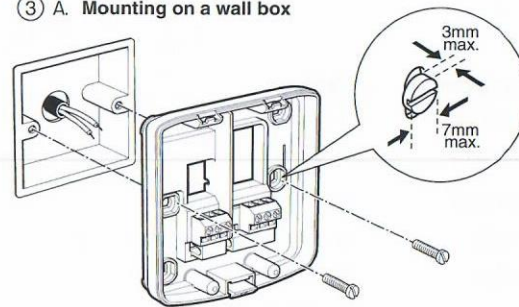
1 Choosing a suitable location for the Relay Box



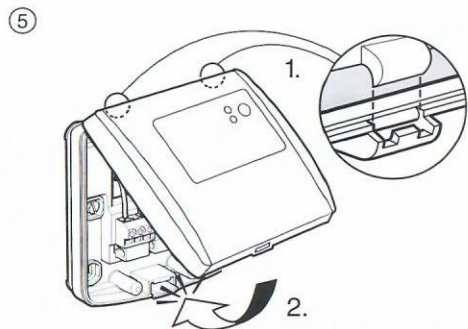
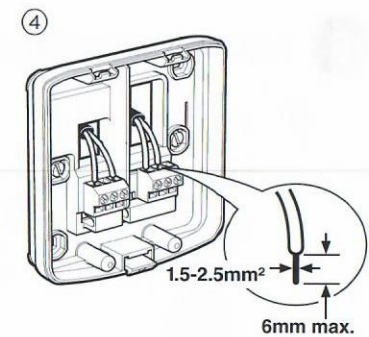
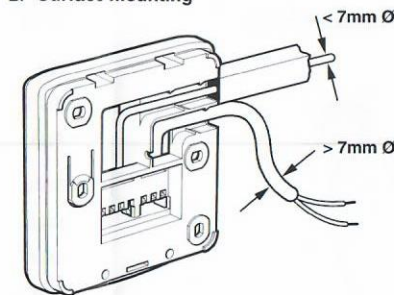
2 Installing the Relay Box



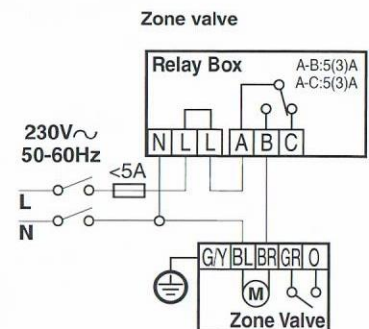
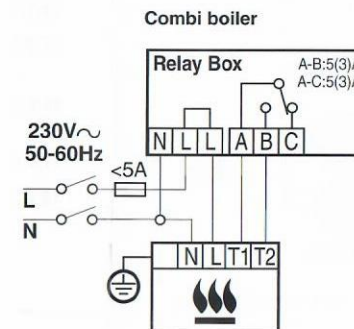
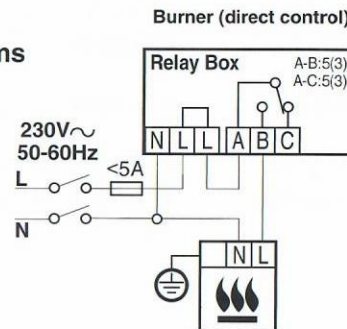
3 A. Mounting on a wall box



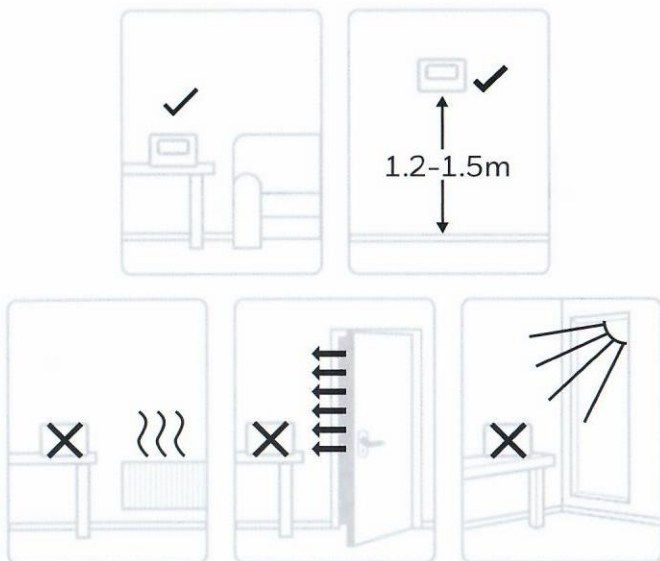
B. Surface mounting



3 Wiring Diagrams

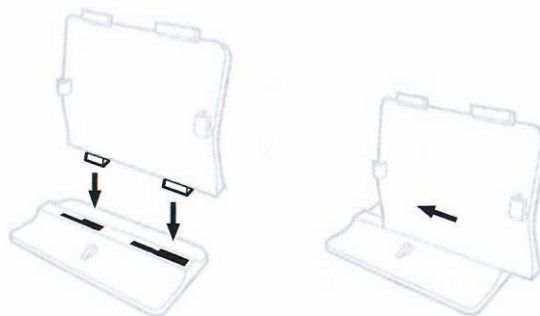


4 Choosing a suitable location for the Thermostat



5 Installing the Thermostat

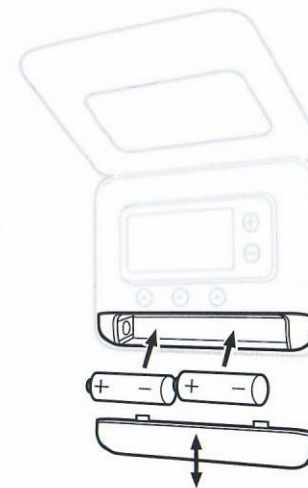
① A.



B.



②

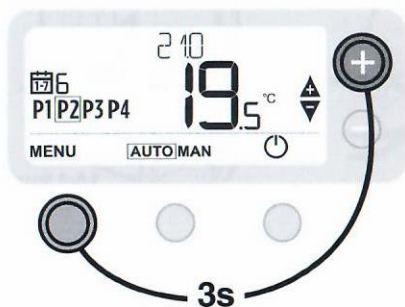


③



6 Adjusting the Thermostat Parameters

①



②



No	Description	Settings
3:OT	Min. On Time	1- 5min
4:LL	Lower Limit	5 - 21 °C
5:UL	Upper Limit	21 - 35 °C
9:LC	Fail Safe	0 = Disabled, 1 = Enabled
10:BL	Backlight	0 = Disabled, 1 = Enabled
11:CL	Clock	0 = 24h, 1 = 12h
12:DS	Daylight Saving	0 = Disabled, 1 = Enabled
13:TO	Temp. Offset	- 3 / + 3 °C
15:SD	Reset Schedule	0, 1 = Reset
16:FS	Factory Reset	0, 1 = Reset
17:OP	Optimum Start	0 = Disabled, 1 = Enabled
18:OS	Optimum Stop	0 = Disabled, 1 = Enabled

7 Wireless Relay Box

The Thermostat communicates wirelessly to the Relay Box which is wired to the boiler. If the Thermostat loses wireless communication or becomes faulty, the boiler can be switched on or off manually using the button on the Relay Box.

- **■** is displayed on the Thermostat when the wireless signal is good: The Relay Box **■** LED will be solid GREEN.
- **△ + ■** will flash on the Thermostat when the wireless signal is lost: The Relay Box **■** LED will flash RED.
- If communication is lost move the Thermostat to another location to try and restore communication.

To manually override the boiler using the Relay Box:

1. Press the button **once** to switch the boiler ON or OFF. The button LED should be:
 - Solid GREEN when the boiler is ON.
 - Off when the boiler is OFF.



Primaflow F&P LTD

unit 1A Votec House, Hambridge Lane, Newbury, RG145TN

t: 01788 527701 w: primaflowandp.co.uk

Registered office: Votec House, Hambridge Lane, Newbury RG14 5TN

Registered No. 02662075 England VAT No. 340 049 632