



# **Compact HRE (Combi, SB and OV)**

**Spare Parts Manual**  
**June 2010** 3<sup>th</sup> edition

# Contents

---

Introduction	3
Delivery	4
Service kit	5
Coverplate	6
Wall mounting frame	8
Outercase	10
Heat exchanger waterside (Combi & SB)	12
Heat exchanger waterside (OV)	14
Flue pipe/condensate system	16
Gas unit	18
Burner unit	20
Boiler control	22
Wiring Combi Compact HRE	24

---

## Introduction

In the following pages you will find the spare parts information for the Intergas Combi Compact HRE high efficiency boilers.

We have provided exploded views, diagrams and article numbers for your information about all the Combi Compact HRE boiler types.

All prices are list price. V.A.T. and delivery costs are not included.

Please quote the article number and description when ordering spare parts.

*We have an ongoing policy of continual improvement and development, therefore we reserve the right to change specifications without prior notice.*

# Delivery

Intergas Combi Compact HRE boilers.

Article number.	Description	Remark	
049507	Combi Compact HRE 24/18		
049527	Compact HRE 18 SB		
049547	Compact HRE 18 OV		
049567	Combi Compact HRE 28/24		
049587	Compact HRE 24 SB		
049607	Compact HRE 24 OV		
049627	Combi Compact HRE 36/30		
049647	Compact HRE 30 SB		
049667	Compact HRE 30 OV		
093217	Valve coverplate		
093187	Mounting Jig + exp. vessel 24/18		
093197	Mounting Jig + exp. vessel 28/24		
093207	Mounting Jig + exp. vessel 36/30		
203207	Outside sensor Intergas	NTC 12kOhm	
665017	Return pipe + non return valve		
092637	2-Way valve	For Underfloor heating installations only	
081280	Horizontal offset wall terminal Telescopic	Centered wall position	
086842	Vertical roof terminal		
082975	Extension l=1000 incl. bracket		
082974	Plume management kit		
084660	Bend 90°		
084661	Bend 45°		
082976	Deflector kit		
087910	Weather slate (steep roof)		
087372	Weather slate (flat roof)		
065467	Service kit		

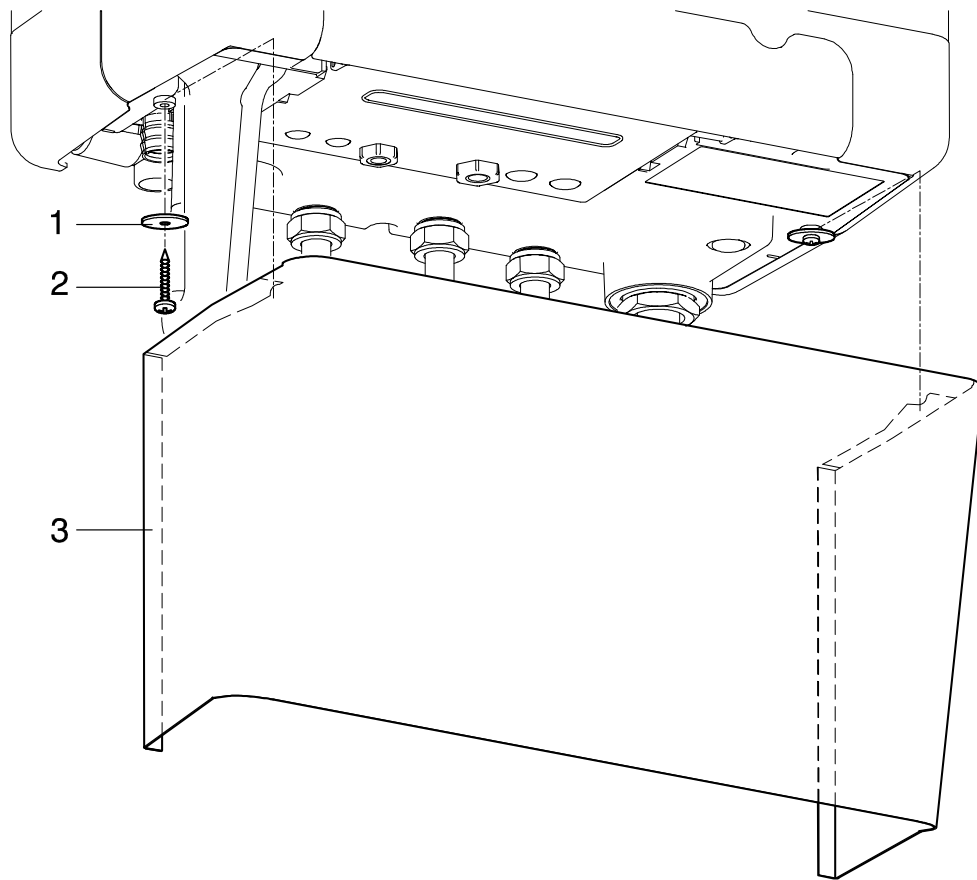
# Service kit

Artikle no.	Name	Remark	
<b>065467</b>	<b>Service Kit HRE</b>		
	Contents		
200117	NTC 1 - 2	4	
200177	NTC DHW	2	
864087	Pressure sensor CH	1	
873537	Clip pressure sensor	1	
074447	Boiler controller (PCB)	1	
887017	Sticker (Electrical connections ) Combi	2	
240277	Fuse F1 2A-T	5	
209327	Ignition pin	2	
221467	Ignition cable + cap	1	
074397	Fan unit replacement set	1	
829487	Gasflow restrictor 640 G20	1	
829397	Gasflow restrictor 695 G20	1	
844267	Flowswitch Sika VKX	1	
873027	Clip	2	
801467	Gasvalve Siemens	1	
801477	Ignition module Siemens	1	
875737	O-ring 15x2 nbr 70sh	5	
875827	O-ring 19 x 2	5	
875757	Gasket (gas) 21.5/15.5	5	
875677	Gasket ignition pin	2	
875867	Isolator ignition pin	2	
876467	sealring frontplate 24kW	1	
877927	sealring frontplate 28kW	1	
876597	sealring frontplate 36kW	1	

# Coverplate

---

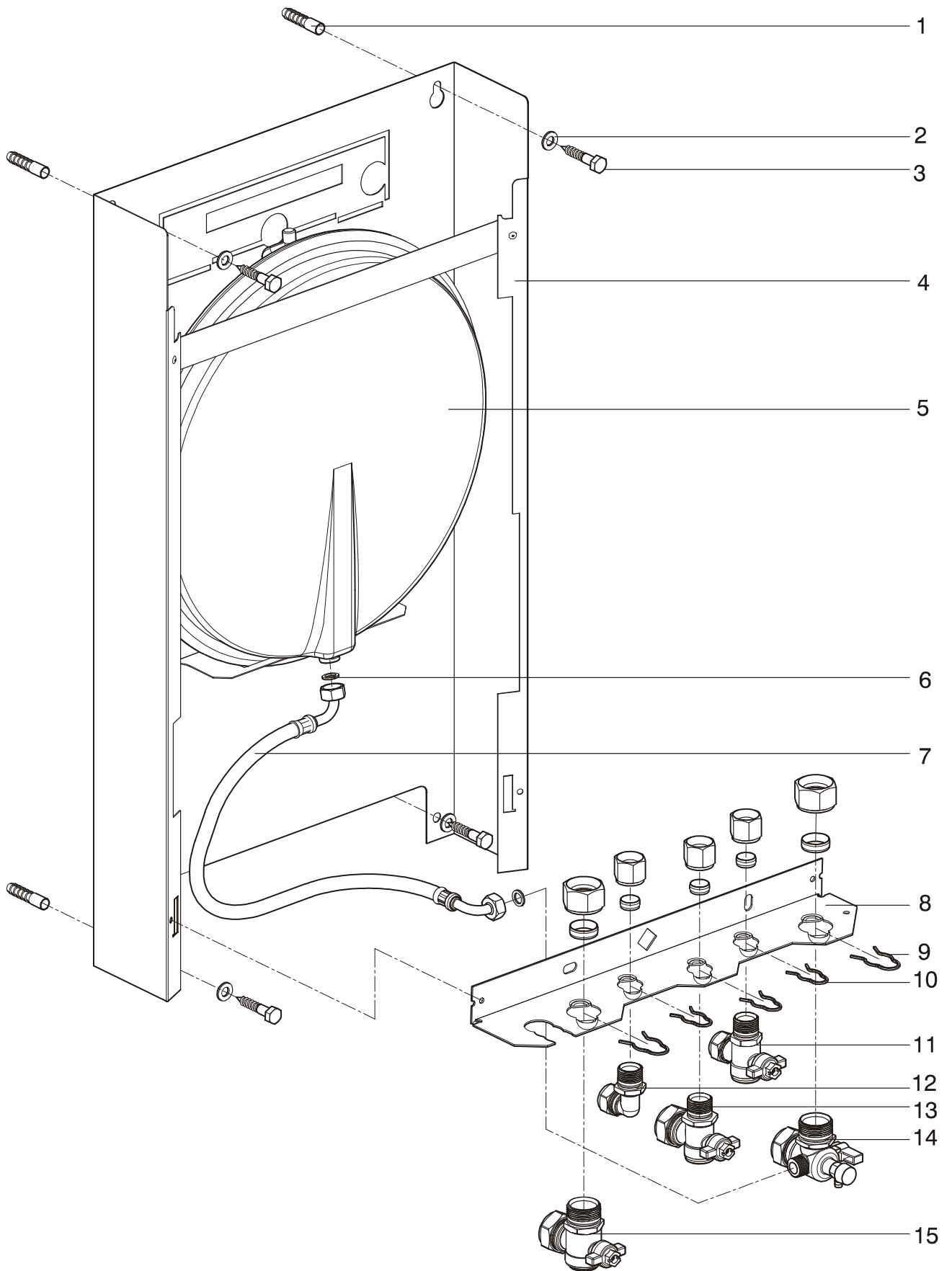
<i>Pos.nr.</i>	<i>Artikle no.</i>	<i>Name</i>	<i>Remark</i>	
	<b>093217</b>	<b>Valve coverplate</b>		
1	147307	Ring coverplate	2 pcs	
2	362117	Screw plastite	2 pcs	
3		Coverplate		



# Wall mounting frame

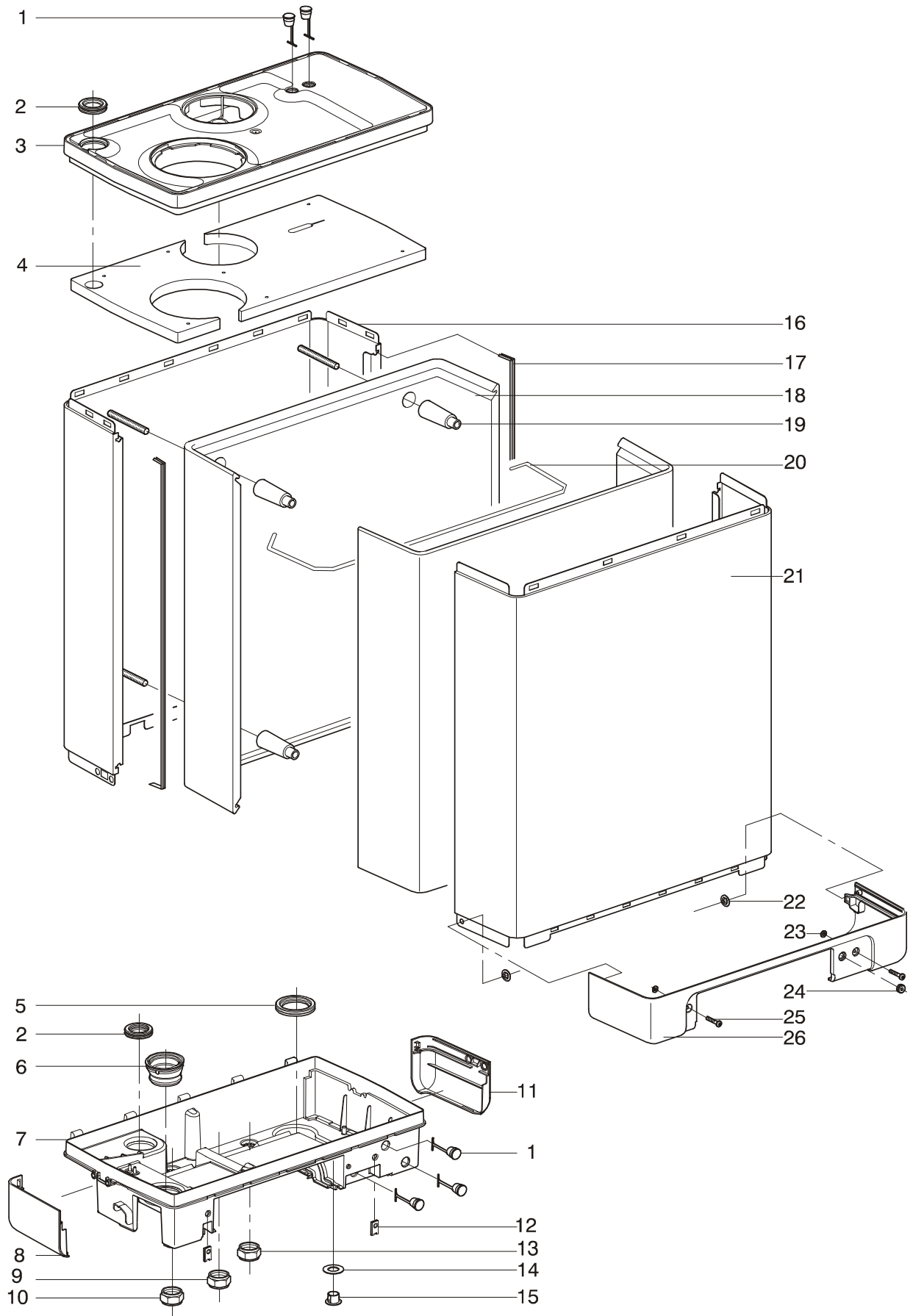
Pos.nr.	Artikle no.	Name	Remark	
	093187	<b>Mounting Jig + exp.vessel 24/18</b>	Combi Compact HRE 24/18 & 18 SB	
	093197	<b>Mounting Jig + exp.vessel 28/24</b>	Combi Compact HRE 28/24 & 24 SB	
	093207	<b>Mounting Jig + exp.vessel 36/30</b>	Combi Compact HRE 36/30 & 30 SB	
1	390047	Plug U-10	4 pcs	
2	324007	Ring 8 mm	4 pcs	
3	381017	Wall fixing screw M8*45	4 pcs	
4	147168	Frame small		
	147158	Frame medium		
	147138	Frame large		
5	864107	Exp.vessel		
6	875847	Seal ring 14*9*1.5	2 pcs	
7	859617	Flex. hose		
8	147118	Mounting plate		
9	873557	Clip 22 mm nipples	2 pcs	
10	873567	Clip 15 mm nipples	3 pcs	
11	842287	Cold water valve	(complete)	
12	822217	Hot water knee	(complete)	
13	842297	Gas valve	(complete)	
14	842277	Return valve	(complete)	
15	842267	Flow valve	(complete)	





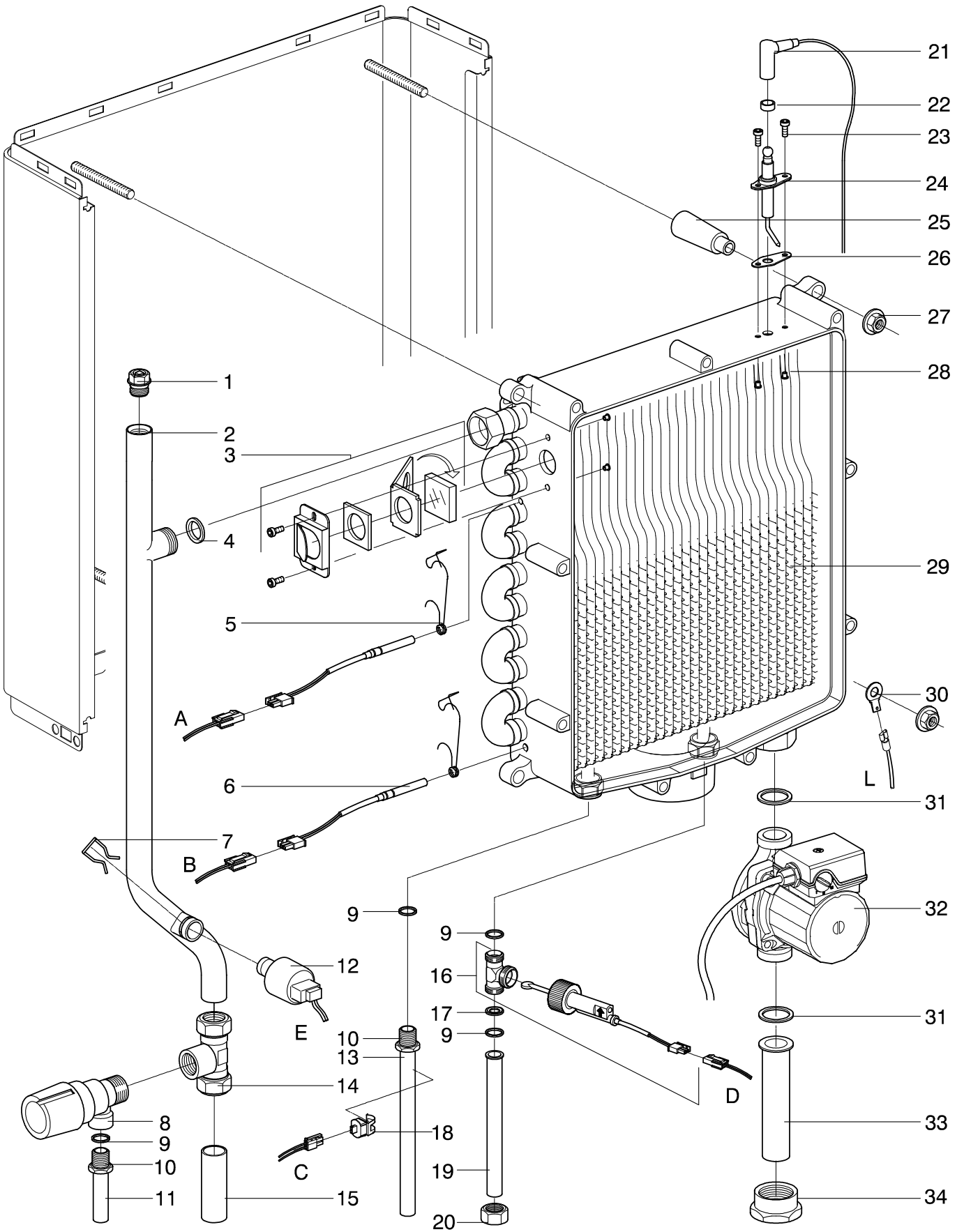
# Outercase

Pos.nr.	Artikle no.	Name	Remark	Compact 18 OV	Compact 24 OV	Compact 30 OV	Compact 18 SB	Compact 24 SB	Compact 30 SB	Combi Compact HRE 24/18	Combi Compact HRE 28/24	Combi Compact HRE 36/30
1	490097	Cap	5 per boiler	•	•	•	•	•	•	•	•	•
2	878287	Grommet flowpipe	2 per boiler				•	•	•	•	•	•
3	845317	Top cover (Combi & SB)					•	•	•	•	•	•
	665357	Top Cover (OV)	(incl. pos. 1, 2 and 4)	•	•	•						
4	876447	Isolation topside					•	•	•	•	•	•
5	878557	Grommet (pump)					•	•	•	•	•	•
	878487	Grommet (drain)		•	•	•						
6	878577	Grommet condensate trap		•	•	•	•	•	•	•	•	•
7	845327	Bottom		•	•	•	•	•	•	•	•	•
8	845347	Side cover left		•	•	•	•	•	•	•	•	•
9	826087	Nut red								•	•	•
10	826097	Nut yellow		•	•	•	•	•	•	•	•	•
11	845357	Side cover right		•	•	•	•	•	•	•	•	•
12	390077	Speednut 4.2	2 per boiler	•	•	•	•	•	•	•	•	•
13	826077	Nut blue								•	•	•
14	876207	Gasket		•	•	•	•	•	•	•	•	•
15	866147	Drain		•	•	•	•	•	•	•	•	•
16	146698	Rear cover small – 24kW		•			•			•		
	146768	Rear cover medium – 28kW			•			•			•	
	146778	Rear cover large – 36kW				•			•			•
17	877917	Seal cover rear (L = 1050mm)	2 per boiler	•			•			•		
		Seal cover rear (L = 1110mm)	2 per boiler		•			•			•	
		Seal cover rear (L = 1170mm)	2 per boiler			•			•			•
18	876427	Isolation cover small 24kW	2 per boiler	•			•			•		
	876437	Isolation cover medium 28kW	2 per boiler		•			•			•	
	876367	Isolation cover large 36kW	2 per boiler			•			•			•
19	878517	Spacer	4 per boiler	•	•	•	•	•	•	•	•	•
20	873547	Clip isolation	4 per boiler	•	•	•	•	•	•	•	•	•
21	146688	Front cover small 24kW		•			•			•		
	146748	Front cover medium 28kW			•			•			•	
	146758	Front cover large 36kW				•			•			•
22	390157	Starlock	2 per boiler	•	•	•	•	•	•	•	•	•
23	320067	Retaining clip	2 per boiler	•	•	•	•	•	•	•	•	•
24	878047	Grommet display		•	•	•	•	•	•	•	•	•
25	362167	Locking screw frontcover	2 per boiler	•	•	•	•	•	•	•	•	•
26	845337	Bottom cover frontside		•	•	•	•	•	•	•	•	•
27	490127	Plastic cap (not shown)	Instead of pos. 9, 10 & 13	•	•	•	•	•	•			



# Heat exchanger waterside (Combi & SB)

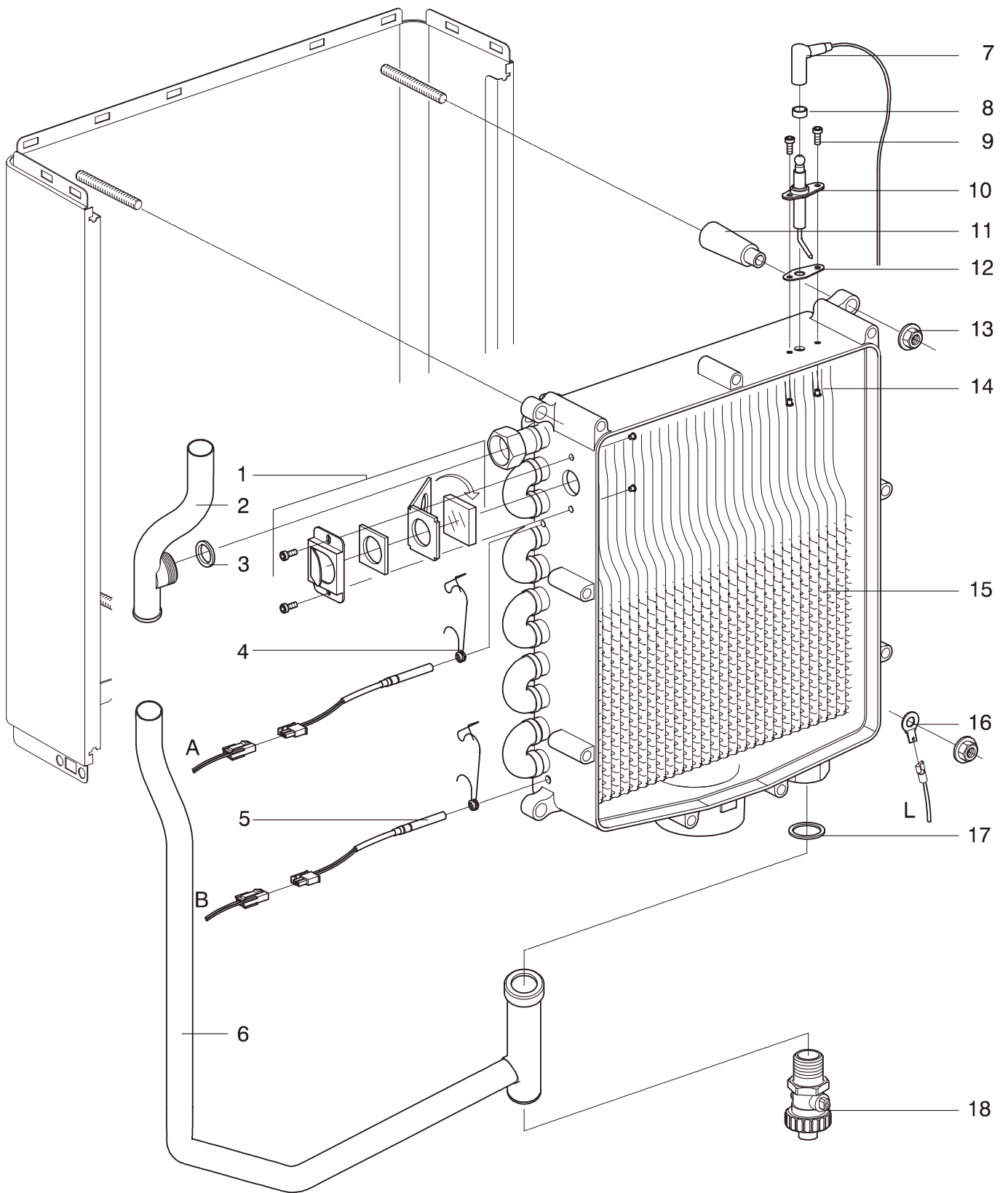
Pos.nr.	Artikle no.	Name	Remark	Compact 18 SB	Compact 24 SB	Compact 30 SB	Combi Compact HRE 24/18	Combi Compact HRE 28/24	Combi Compact HRE 24/18
1	843017	Air release vale 3/8 "G (manual)		•	•	•	•	•	•
2	854667	Flowpipe 24kW		•			•		
	854657	Flowpipe 28kW			•			•	
	854627	Flowpipe 36kW				•			•
3	081097	Inspection glass replacement set		•	•	•	•	•	•
4	875517	Bonded seal 3/4"		•	•	•	•	•	•
5	873337	Clip NTC 1 and NTC 2	2 per boiler	•	•	•	•	•	•
6	200117	NTC 1 - 2	2 per boiler	•	•	•	•	•	•
7	873537	Clip pressure sensor		•	•	•	•	•	•
8	844417	Pressure Relieve Valve 1/2"	WRAS approved	•	•	•	•	•	•
9	875927	Seal ring Viton	4 per boiler , WRAS approved				•	•	•
10	825077	Thread ring					•	•	•
11	854647	Drain pipe PRV		•	•	•	•	•	•
12	864087	Pressure sensor CH		•	•	•	•	•	•
13	854587	Hot water pipe					•	•	•
14	823097	T-compression fitting		•	•	•	•	•	•
15	854637	Flow pipe (extension)		•	•	•	•	•	•
16	844267	Flow switch Sika VKX					•	•	•
17	829287	Spacer ring					•	•	•
18	200177	NTC DHW	Clip type				•	•	•
19	854527	Cold water pipe					•	•	•
20	826047	Nut 1/2"					•	•	•
21	221467	Ignition cable + cap		•	•	•	•	•	•
22	875867	Isolator ignition pin		•	•	•	•	•	•
23	305137	Bolt M4x10	2 pcs for ignition pin	•	•	•	•	•	•
24	209327	Ignition pin		•	•	•	•	•	•
25	878517	Spacer	4 per boiler	•	•	•	•	•	•
26	875677	Gasket ignition pin		•	•	•	•	•	•
27	313047	Lock nut M8	4 per boiler	•	•	•	•	•	•
28	319047	Insert M4	4 per boiler	•	•	•	•	•	•
29	147187	Heat exchanger 24kW	Combi				•		
	147197	Heat exchanger 28kW	Combi					•	
	147207	Heat exchanger 36kW	Combi						•
	147267	Heat exchanger 18kW	System boiler	•					
	147277	Heat exchanger 24kW	System boiler		•				
	147287	Heat exchanger 30kW	System boiler			•			
30	231107	Earth connection		•	•	•	•	•	•
31	875567	Pump seal 1"	2 per boiler	•	•	•	•	•	•
32	210247	Pump 1" HRE	Incl. pump cable	•	•	•	•	•	•
33	828287	Return pipe		•	•	•	•	•	•
34	826207	Pump nut 1"		•	•	•	•	•	•



# Heat exchanger waterside (OV)

Pos.nr.	Artikle no.	Name	Remark	Compact 18 OV	Compact 24 OV	Compact 30 OV
1	081097	Inspection glass replacement set		•	•	•
2	854747	Flowpipe OV		•	•	•
3	875517	Bonded seal 3/4"		•	•	•
4	873337	Clip NTC 1 and NTC 2	2 per boiler	•	•	•
5	200117	NTC 1 - 2	2 per boiler	•	•	•
6	828357	Return pipe HRE 18 OV		•		
	828367	Return pipe HRE 24 OV			•	
	828377	Return pipe HRE 30 OV				•
7	221467	Ignition cable + cap		•	•	•
8	875867	Isolator ignition pin		•	•	•
9	305137	Bolt M4x10	2 pcs for ignition pin	•	•	•
10	209327	Ignition pin		•	•	•
11	829287	Spacer ring	4 per boiler	•	•	•
12	875677	Gasket ignition pin		•	•	•
13	313047	Lock nut M8	4 per boiler	•	•	•
14	319047	Insert M4	4 per boiler	•	•	•
15	147267	Heat exchanger 18kW	System boiler	•		
	147277	Heat exchanger 24kW	System boiler		•	
	147287	Heat exchanger 30kW	System boiler			•
16	231107	Earth connection		•	•	•
17	875567	Pump seal 1"		•	•	•
18	841007	Filling tap/drain		•	•	•

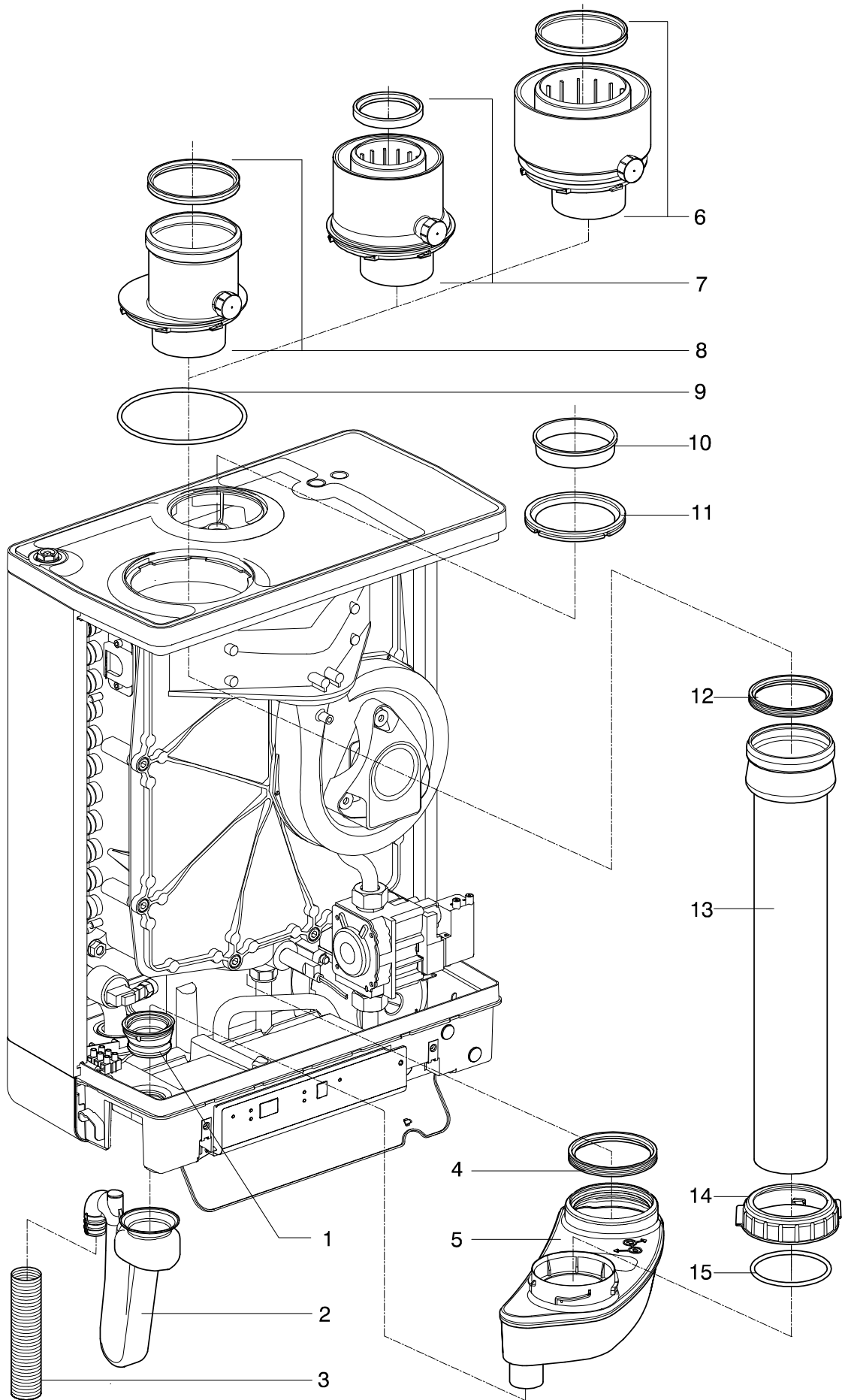
A,B,E,L			Wiring, see page 24			
C,D			Wiring, see page 24			



# Flue pipe/condensate system

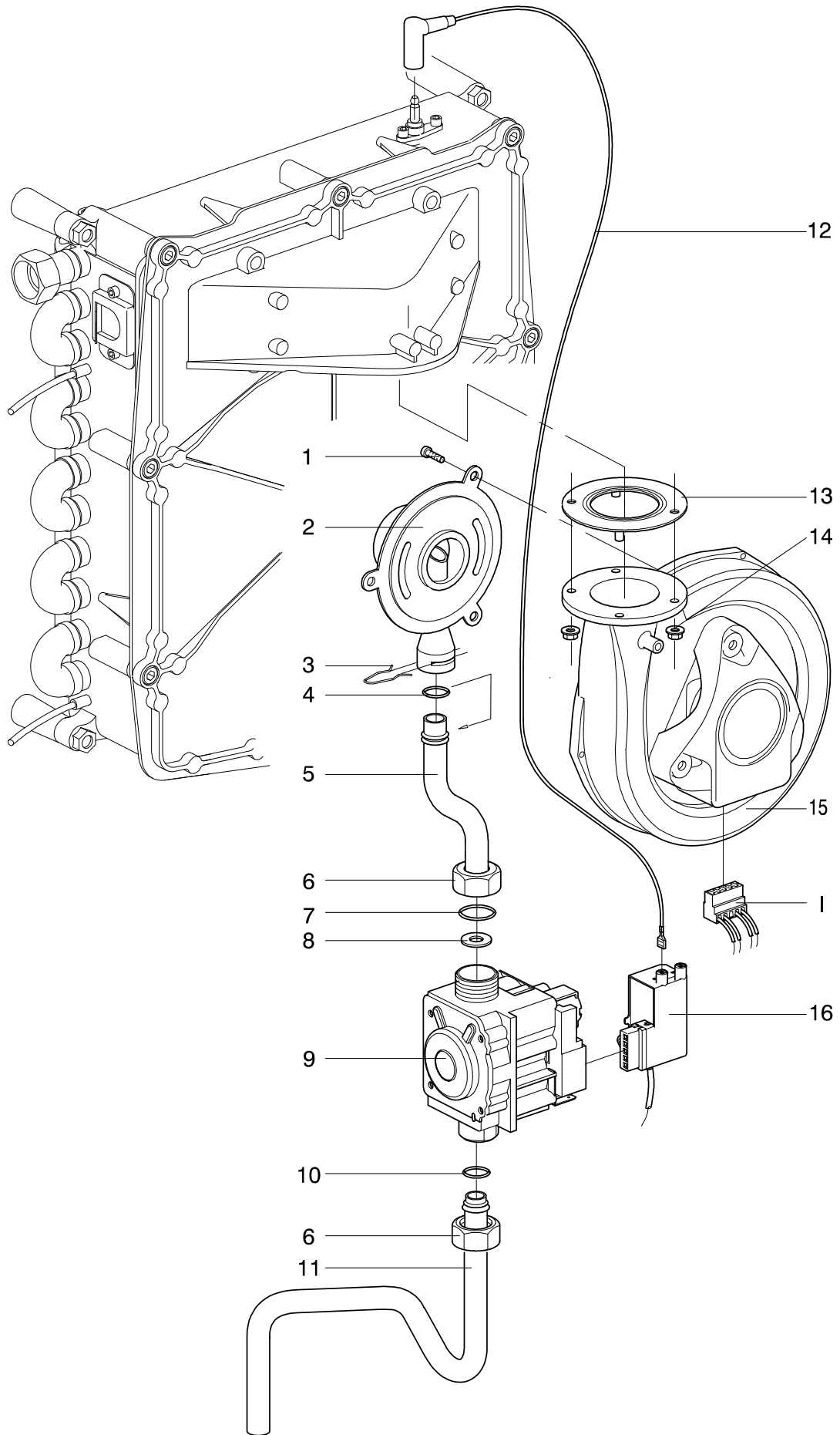
Pos.nr.	Artikle no.	Name	Remark	Compact 18 OV	Compact 24 OV	Compact 30 OV	Compact 18 SB	Compact 24 SB	Compact 30 SB	Combi Compact HRE 24/18	Combi Compact HRE 28/24	Combi Compact HRE 6/30
1	878577	Grommet condensate trap		•	•	•	•	•	•	•	•	•
2	844187	Condensate trap		•	•	•	•	•	•	•	•	•
3	594157	Hose ø 25 x21 l=600mm		•	•	•	•	•	•	•	•	•
4	878147	Seal ø76		•	•	•	•	•	•	•	•	•
5	847037	Condensate collector		•	•	•	•	•	•	•	•	•
6	090557	Adapter set ø80/125	incl. pos 10	•	•	•	•	•	•	•	•	•
7	090547	Adapter set ø60/100	incl. pos 10	•	•	•	•	•	•	•	•	•
8	847097	Adapter ø80		•	•	•	•	•	•	•	•	•
9	878527	O-ring ø115x4		•	•	•	•	•	•	•	•	•
10	490087	Cap air connection		•	•	•	•	•	•	•	•	•
11	878387	Seal ring air connection 90-80		•	•	•	•	•	•	•	•	•
12	878547	Seal ring 70x82		•	•	•	•	•	•	•	•	•
13	847007	Flue pipe 24kW		•			•			•		
	847017	Flue pipe 28kW			•			•			•	
	847027	Flue pipe 36kW				•			•			•
14	847057	Securing Nut flue pipe		•	•	•	•	•	•	•	•	•
15	878537	O-ring ø68x4		•	•	•	•	•	•	•	•	•





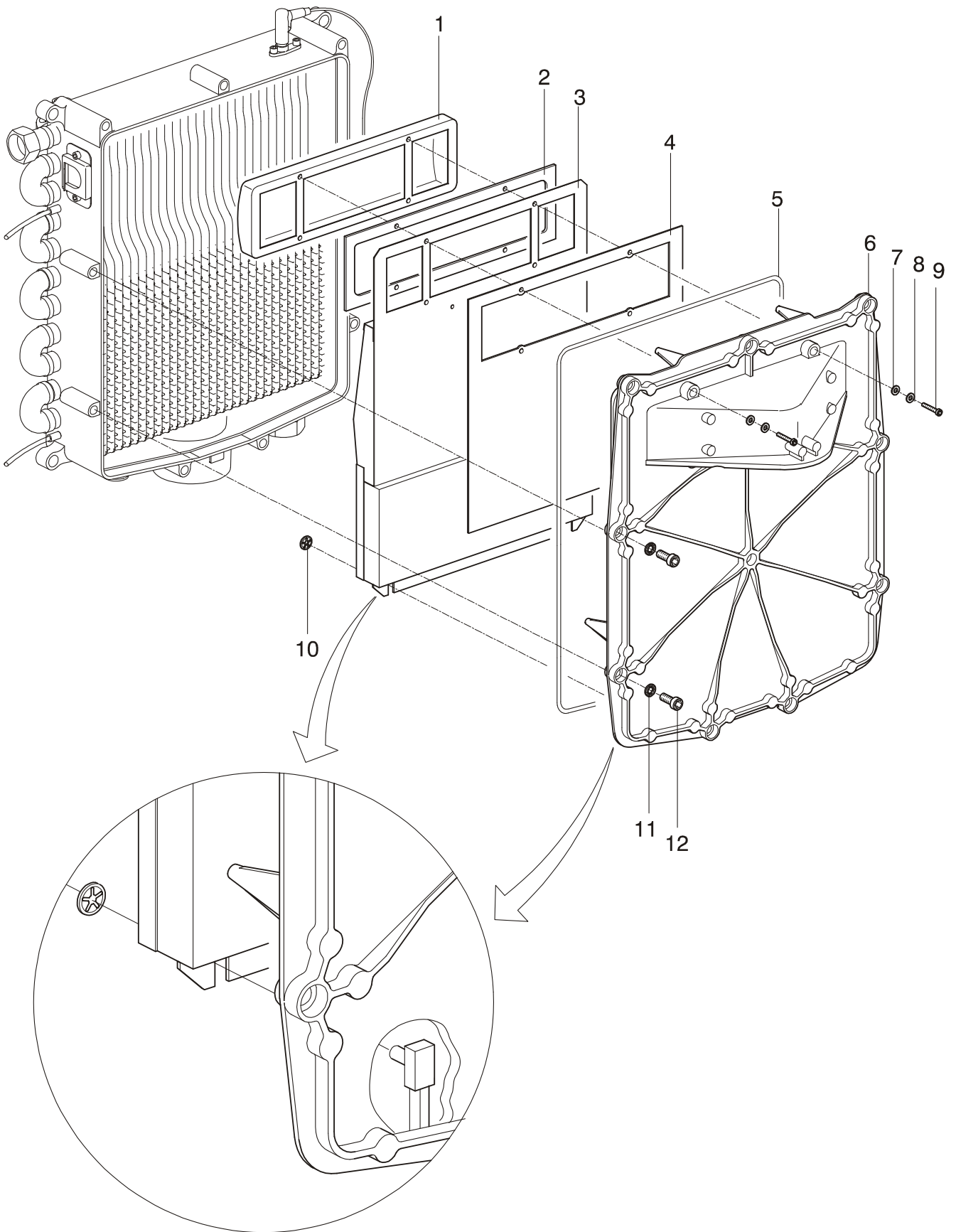
# Gas unit

Pos.nr.	Artikle no.	Name	Remark	Compact 18 OV	Compact 24 OV	Compact 30 OV	Compact 18 SB	Compact 24 SB	Compact 30 SB	Combi Compact HIRE 24/18	Combi Compact HIRE 28/24	Combi Compact HIRE 36/30
1	305137	Bolt M4x10	3 per boiler	•	•	•	•	•	•	•	•	•
2	829217	Gasmixer 22 kW		•			•			•		
	829197	Gasmixer 28 kW			•	•		•	•		•	•
3	873027	Clip	2 per boiler	•	•	•	•	•	•	•	•	•
4	875737	O-ring 15x2 nbr 70sh		•	•	•	•	•	•	•	•	•
5	854507	Gas mix pipe small		•			•			•		
	854567	Gas mix pipe medium			•			•			•	
	854577	Gas mix pipe large				•			•			•
6	826067	Nut ¾ ø19	2 per boiler	•	•	•	•	•	•	•	•	•
7	875827	O-ring 19 x 2		•	•	•	•	•	•	•	•	•
8	829487	Gasflow restrictor 640 G20		•			•			•		
	829397	Gasflow restrictor 695 G20			•	•		•	•		•	•
9	801467	Gasvalve Siemens		•	•	•	•	•	•	•	•	•
10	875757	Gasket (gas) 21.5/15.5		•	•	•	•	•	•	•	•	•
11	854537	Gas pipe HRE		•	•	•	•	•	•	•	•	•
12	221467	Ignition cable + cap		•	•	•	•	•	•	•	•	•
13	877807	Fan seal		•	•	•	•	•	•	•	•	•
	147297	Restriction plate (above fan seal)	Not show in picture	•			•			•		
14	312027	Flange nut M5	2 per boiler	•	•	•	•	•	•	•	•	•
15	074397	Fan replacement set		•	•	•	•	•	•	•	•	•
16	801477	Ignition module Siemens		•	•	•	•	•	•	•	•	•
I			Wiring, see page 24	•	•	•	•	•	•	•	•	•



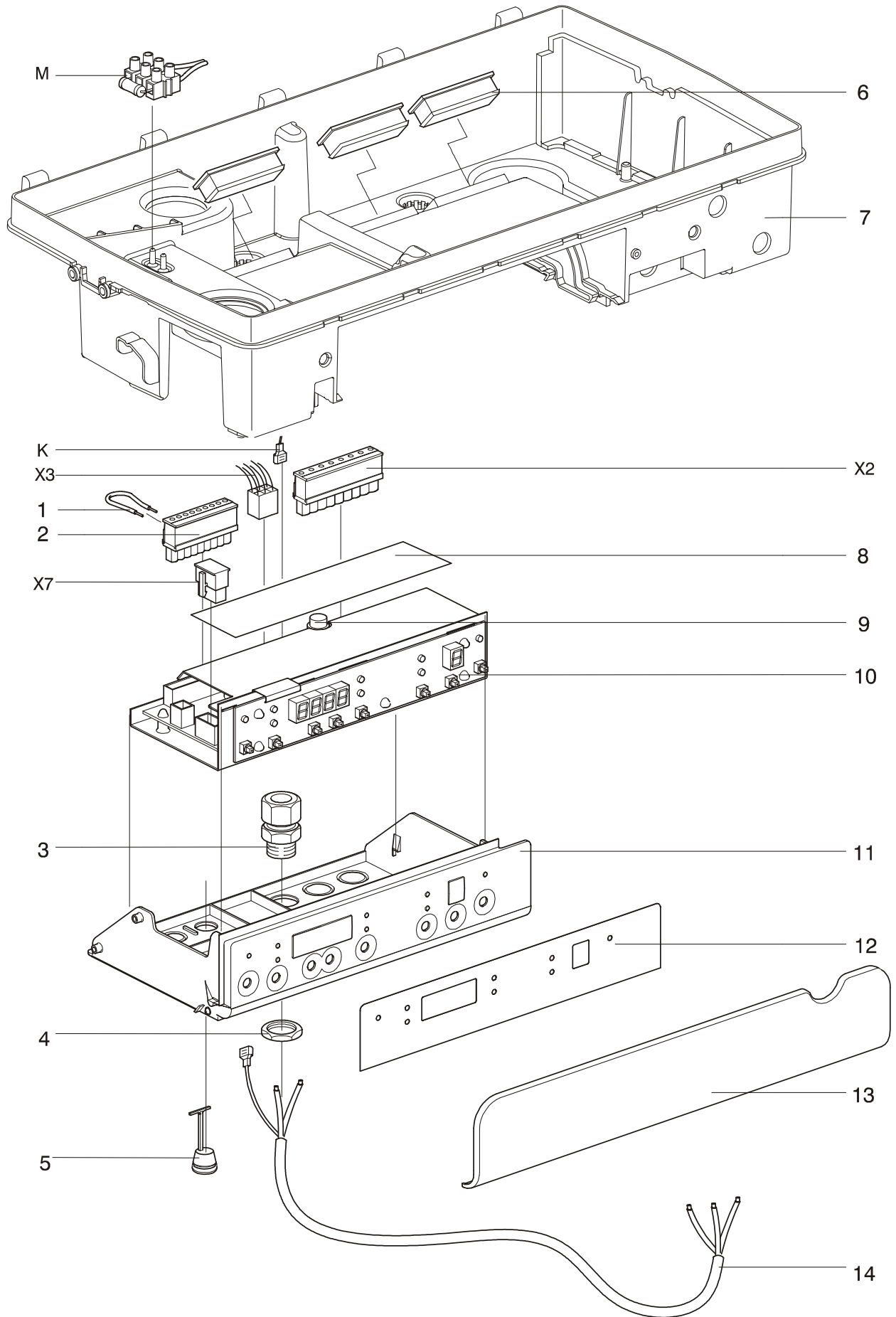
## Burner unit

Pos.nr.	Artikle no.	Name	Remark	Compact 18 OV	Compact 24 OV	Compact 30 OV	Compact 18 SB	Compact 24 SB	Compact 30 SB	Combi Compact HRE 24/18	Combi Compact HRE 28/24	Combi Compact HRE 36/30
1	800327	Burner knit		•	•	•	•	•	•	•	•	•
2	877847	Seal burner		•	•	•	•	•	•	•	•	•
3		Isolation package 24kW		•			•			•		
		Isolation package 28kW			•			•			•	
		Isolation package 36kW				•			•			•
4	876547	Isolation frontplate 24 kW		•			•			•		
	876297	Isolation frontplate 28 kW			•			•			•	
	876377	Isolation frontplate 36 kW				•			•			•
5	876467	Seal ring frontplate 24kW		•			•			•		
	877927	Seal ring frontplate 28kW			•			•			•	
	876597	Seal ring frontplate 36kW				•			•			•
6	859807	Frontplate 24kW		•			•			•		
	859817	Frontplate 28kW			•			•			•	
	859827	Frontplate 36kW				•			•			•
7	875897	Seal ring 8,5x4,2x0,5		•	•	•	•	•	•	•	•	•
8	323037	Ring burner connection	4 per boiler	•	•	•	•	•	•	•	•	•
9	362157	Plate screw T20	4 per boiler	•	•	•	•	•	•	•	•	•
10		N/a										
11	390087	Starlock 4mm	2 per boiler	•	•	•	•	•	•	•	•	•
12	334007	Locking ring M8	9 per boiler	•			•			•		
			11 per boiler		•	•		•	•		•	•
13	305027	Bolt M8x40 incl. dri-loc	9 per boiler	•			•			•		
			11 per boiler		•	•		•	•		•	•

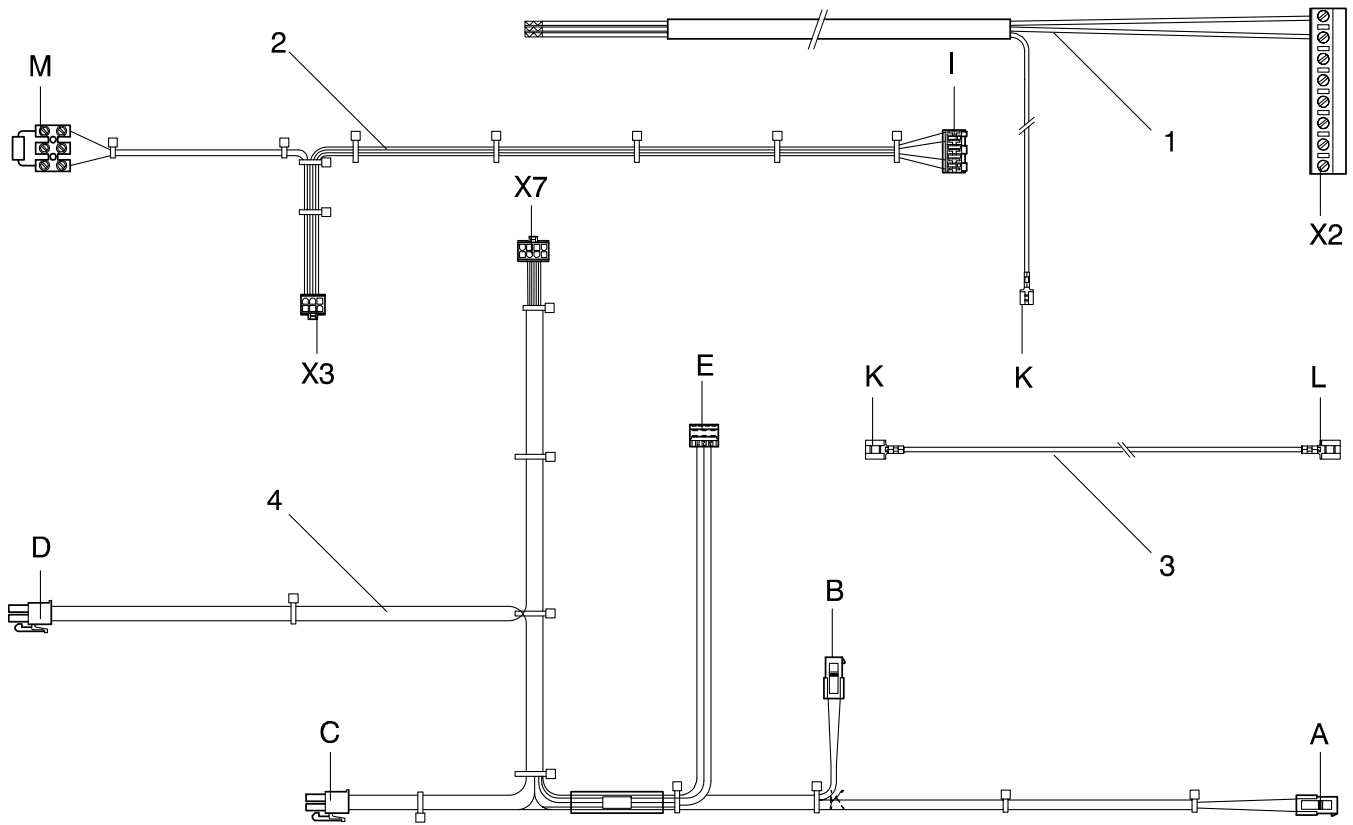


# Boiler control

Pos.nr.	Artikle no.	Name	Remark	Compact 18 OV	Compact 24 OV	Compact 30 OV	Compact 18 SB	Compact 24 SB	Compact 30 SB	Combi Compact HRE 24/18	Combi Compact HRE 28/24	Combi Compact HRE 36/30
1	230687	Electrical connection wire yellow		•	•	•	•	•	•	•	•	•
2	260427	Connector 9 pins 5mm 24V		•	•	•	•	•	•	•	•	•
3	260467	Cable Support Nut M16		•	•	•	•	•	•	•	•	•
4	260457	Nut M16		•	•	•	•	•	•	•	•	•
5	490097	Cap	6 per boiler	•	•	•	•	•	•	•	•	•
6	878567	Cable transfer sleeve	3 per boiler	•	•	•	•	•	•	•	•	•
7	845327	Bottom		•	•	•	•	•	•	•	•	•
8	887017	Sticker electric connections								•	•	•
	886857	Sticker electric connections		•	•	•	•	•	•			
9	240277	Fuse F1 2 A-T		•	•	•	•	•	•	•	•	•
10	074447	Boiler controler (PCB)		•	•	•	•	•	•	•	•	•
11	845367	Casing boiler controler		•	•	•	•	•	•	•	•	•
12	886697	Display sticker HRE 18 OV		•								
	886707	Display sticker HRE 18 SB					•					
	886717	Display sticker HRE CC 24/18								•		
	886727	Display sticker HRE 24 OV			•							
	886737	Display sticker HRE 24 SB						•				
	886747	Display sticker HRE 28/24									•	
	886757	Display sticker HRE 30 OV				•						
13	886767	Display sticker HRE 30 SB							•			
	886777	Display sticker HRE 36/30										•
	845307	Display cover		•	•	•	•	•	•	•	•	•
	221637	Power cord		•	•	•	•	•	•	•	•	•
K,M,X 2,X3, X7			Wiring, see page 24	•	•	•	•	•	•	•	•	



# Wiring Combi Compact HRE



Pos.nr.	Artikle no.	Name	Remark	Compact 18 OV	Compact 24 OV	Compact 30 OV	Compact 18 SB	Compact 24 SB	Compact 30 SB	Combi Compact HRE 24/18	Combi Compact HRE 28/24	Combi Compact HRE 36/30
1	221507	Pump cable	Not for 210247	•	•	•	•	•	•	•	•	•
2	221477	Fan cable HRE		•	•	•	•	•	•	•	•	•
3	221437	Earth cable		•	•	•	•	•	•	•	•	•
4	221487	NTC cable Combi								•	•	•
	221497	NTC cable Solo	Without connections C and D	•	•	•	•	•	•			









## Intergas Heating Ltd

---

88423701

Unit 6, West Court  
Buntsford Hill  
Bromsgrove  
B60 3DX  
Tel: 01527 888000  
Fax: 01527 888001  
[www.intergasheating.co.uk](http://www.intergasheating.co.uk)

