



# **Compact HRE (Combi, SB and OV)**

## **Spare Parts Manual January 2014**

# Contents

---

Introduction	3
Delivery	4
Service kit	5
Cover plate L=130	6
Cover plate L=235	7
Wall mounting frame	8
Outer case	10
Heat exchanger (watersided) Combi boilers	12
Heat exchanger (watersided) System boilers	14
Heat exchanger (watersided) Open Vent boilers	16
Flue pipe/condensate system	18
Gas unit with 24 V fan and separate gas mixer	20
Gas unit with 230 V fan	22
Burner unit	24
Boiler control	26
Wiring Combi Compact HRE	28

---

## Introduction

In the following pages you will find the spare parts information for the Intergas Combi Compact HRE high efficiency boilers.

We have provided exploded views, diagrams and article numbers for your information regarding all Compact HRE boiler types.




All prices are list prices. V.A.T. and delivery costs are not included.

Please quote the article number and description when ordering spare parts.

*We have an ongoing policy of continual improvement and development, therefore we reserve the right to change specifications without prior notice.*

# Delivery

## Intergas Combi Compact HRE boilers

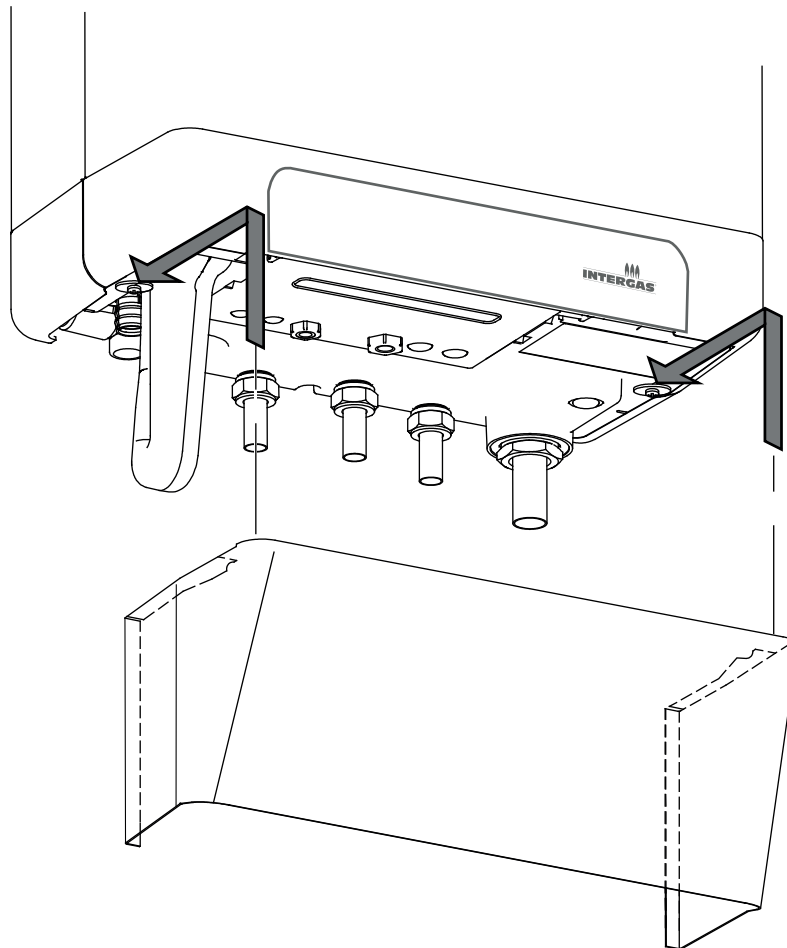
Article no.	Description	Remark	Price (£)
049507	Combi Compact HRE 24/18		1039.00
049527	Compact HRE 18 SB		1007.00
049547	Compact HRE 18 OV		999.00
049567	Combi Compact HRE 28/24		1149.00
049587	Compact HRE 24 SB		1117.00
049607	Compact HRE 24 OV		1109.00
049627	Combi Kompakt HRE 36/30		1259.00
049647	Compact HRE 30 SB		1227.00
049667	Compact HRE 30 OV		1219.00
049687	Combi Kompakt HRE 36/40		1392.00
049707	Compact HRE 40 SB		1360.00
092677	Valve cover plate L=243		23.50
093217	Valve cover plate L=130		23.50
093187	Mounting Jig + exp. vessel CC 24/18 & SB 18		75.00
093197	Mounting Jig + exp. vessel CC 28/24 & SB 24		75.00
093207	Mounting Jig + exp. vessel CC 36/30 & SB 30		75.00
075697	Conversion set propane G31	 <b>Only to be used for Combi Compact HRE 24/18, Compact 18 SB and Compact 18 OV</b>	21.50
075707	Conversion set propane G31	 <b>Only to be used for Combi Compact HRE 28/24 , 36/36, Compact 24 SB, 30 SB, 24 OV and 30 OV</b>	21.50
075947	Conversion set propane G31	 <b>Only to be used for Combi Compact HRE 36/40 and Compact 40 SB</b>	21.50
203207	Outside sensor Intergas	NTC 12kOhm	26.50
065117	Hot water cylinder thermostat	For System boilers only	12.50
665017	Return pipe + non return valve		10.20
092637	2-Way valve	For Underfloor heating installations only	125.05
081282	Horizontal offset wall terminal	Centered wall position	102,00
082973	Vertical roof terminal incl. concentric adapter		104,00
082975	Extension l=1000		42.50
082974	Plume management kit		68.00
084660	Bend 90°		32.00
084661	Bend 45°		32.00
082976	Deflector kit		32.00
087910	Weather slate (steep roof)		49.00
087372	Weather slate (flat roof)		26.00
065467	Service kit		883.35

# Service Kit

Article no.	Name	Remark	Price (£)
<b>065467</b>	<b>Service Kit Combi Compact HRE</b>		<b>883.35</b>
	Contents		
200117	NTC 1 - 2	4	8.85
200177	NTC DHW	2	10.65
864087	Pressure sensor CH	1	23.70
873537	Clip pressure sensor	1	0.95
074447	Boiler controller (PCB)	1	299.10
887017	Sticker (Electrical connections ) Combi	2	2.05
240277	Fuse F1 2A-T	5	0.75
209327	Ignition pin	2	12.70
074607	Ignition cable + cap	1	11.90
074397	Fan unit replacement set	1	137.45
075957	Gas flow restrictor 620 G20	1	21.50
075967	Gas flow restrictor 695 G20	1	21.50
844267	Flow switch Sika VKX	1	34.60
873027	Clip	2	0.50
801527	Gas valve Siemens Smart	1	135.35
801537	Ignition module Siemens Smart	1	15.00
875737	O-ring 15x2 nbr 70sh	5	0.30
875827	O-ring 19 x 2	5	0.35
875757	Gasket (gas) 21.5/15.5	5	0.40
875677	Gasket ignition pin	2	0.55
875867	Isolator ignition pin	2	0.45
876467	Seal ring front plate small	1	4.85
877927	Seal ring front plate middle	1	5.05
876597	Seal ring front plate large	1	5.70

# Cover plate L=130

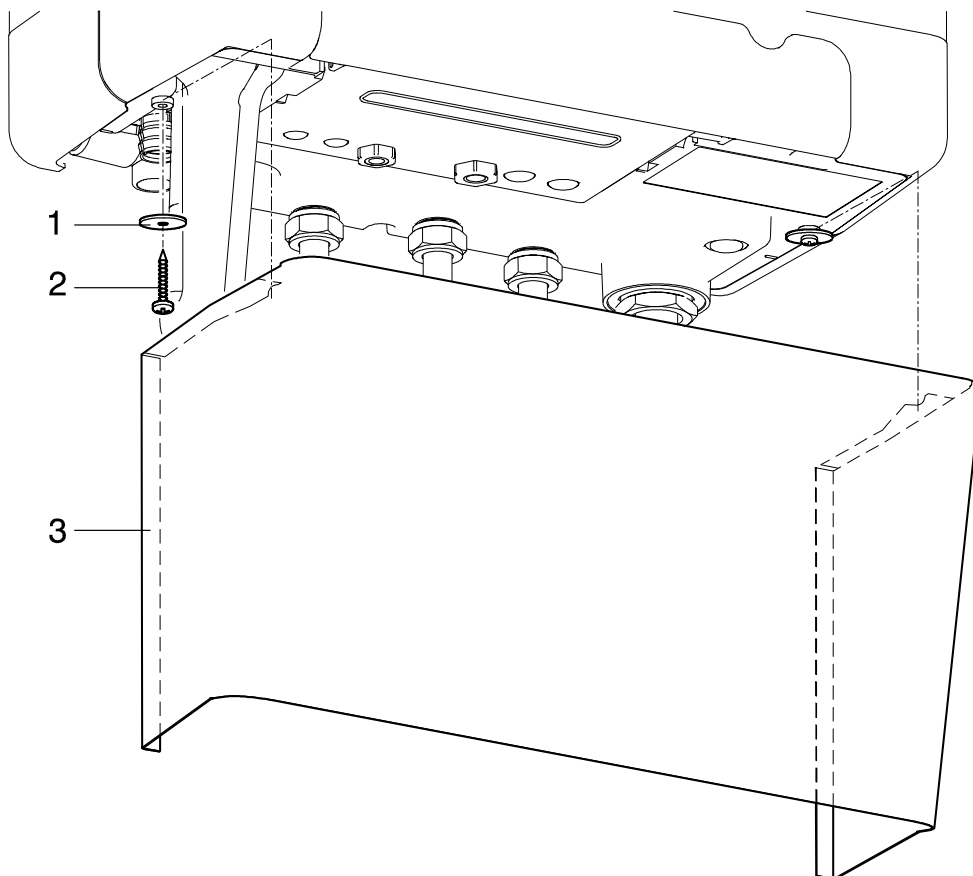
Pos.nr.	Article no.	Name	Remark	Price (£)
	<b>093217</b>	<b>Valve cover plate</b>		<b>23.50</b>
1	147307	Ring cover plate	2 pcs	0.15
2	362117	Screw plastite	2 pcs	0.15
3		Cover plate		



03010010

# Cover plate L=235

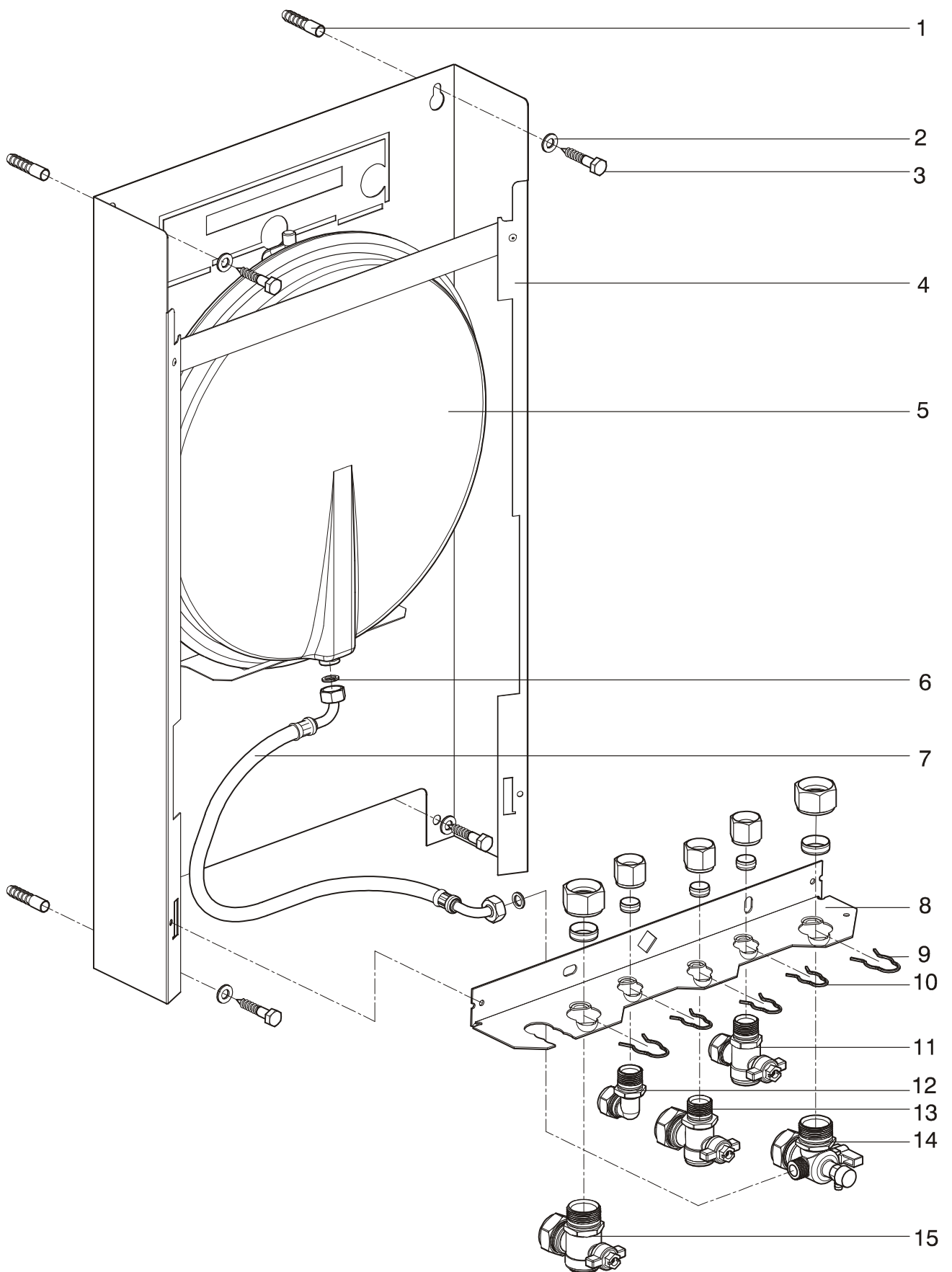
Pos.nr.	Article no.	Name	Remark	Price (£)
	<b>092677</b>	<b>Valve coverplate HRE 40 kW</b>		<b>23.50</b>
1	147307	Ring coverplate	2 pcs	0.15
2	362117	Screw plastite	2 pcs	0.15
3		Cover plate		



# Wall mounting frame

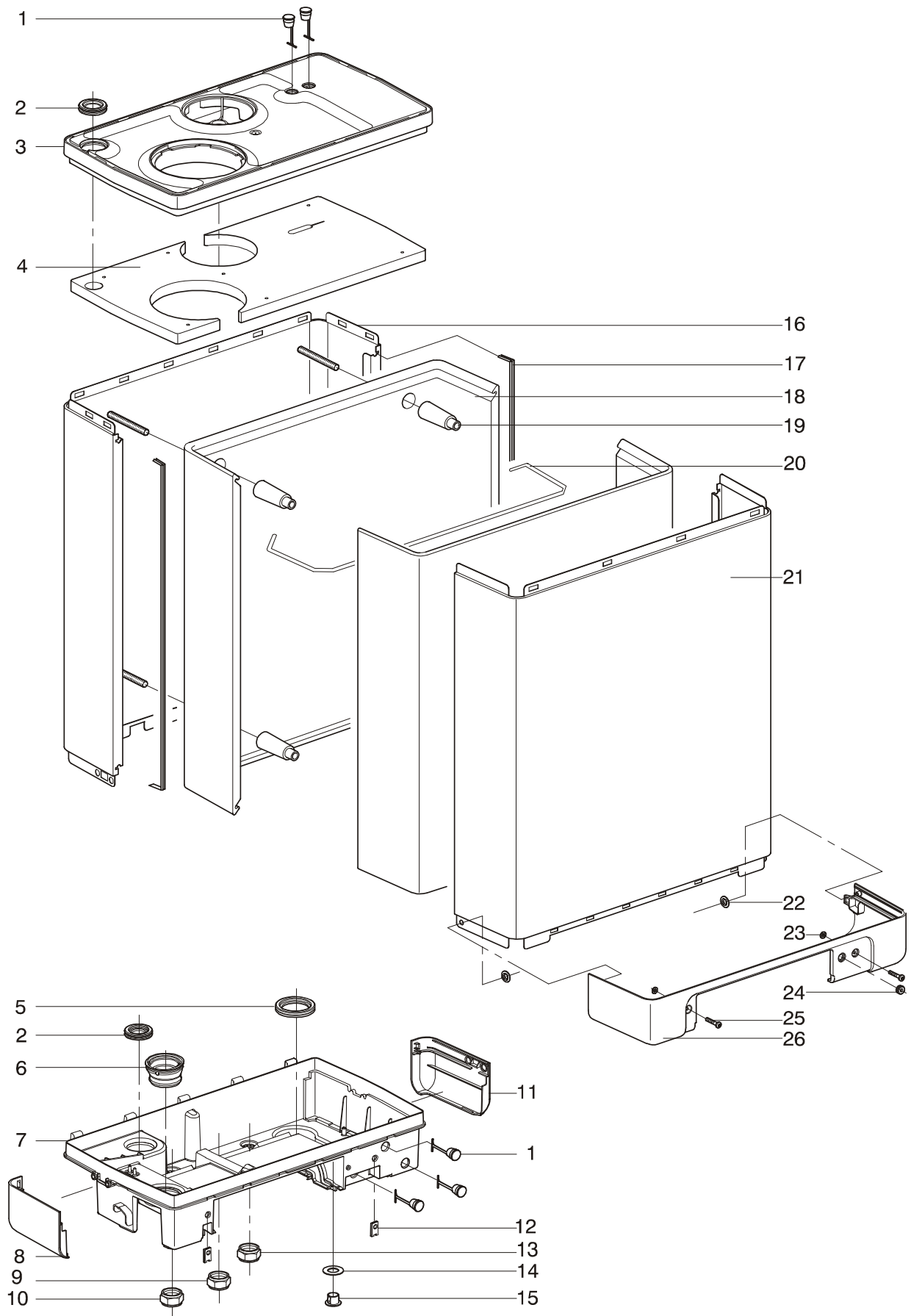
Pos.nr.	Article no.	Name	Remark	Price (£)
	093187	<b>Wall mounting frame HRE small</b>	Combi Compact HRE 24/18 & 18 SB	75.00
	093197	<b>Wall mounting frame HRE medium</b>	Combi Compact HRE 28/24 & 24 SB	75.00
	093207	<b>Wall mounting frame HRE large</b>	Combi Compact HRE 36/30 & 30 SB	75.00
1	390047	Plug U-10	4 pcs	0.15
2	324007	Ring 8 mm	4 pcs	0.15
3	381017	Thread Screw M8*45	4 pcs	0.20
4		Frame small	Combi Compact HRE 24/18 & 18 SB	
		Frame medium	Combi Compact HRE 28/24 & 24 SB	
		Frame Large	Combi Compact HRE 36/30 & 30 SB	
5	864107	Exp.vessel flat		56.05
6	875847	Seal ring 14*9.5*1.5 fiber	2 pcs	0.35
7	859617	Flex. Hose DN10, L500, 2 * 3/8"		23.85
8	147118	Mounting plate		10.30
9	873567	Clip 22 mm nipples	2 pcs	0.50
10	873557	Clip 15 mm nipples	3 pcs	0.50
11	842287	Cold water valve	(complete)	12.50
12	822217	Hot water knee	(complete)	5.00
13	842297	Gas valve	(complete)	12.50
14	842277	Return valve 22kn * 3/4" Blue	(complete)	12.50
15	842267	Flow valve	(complete)	12.50





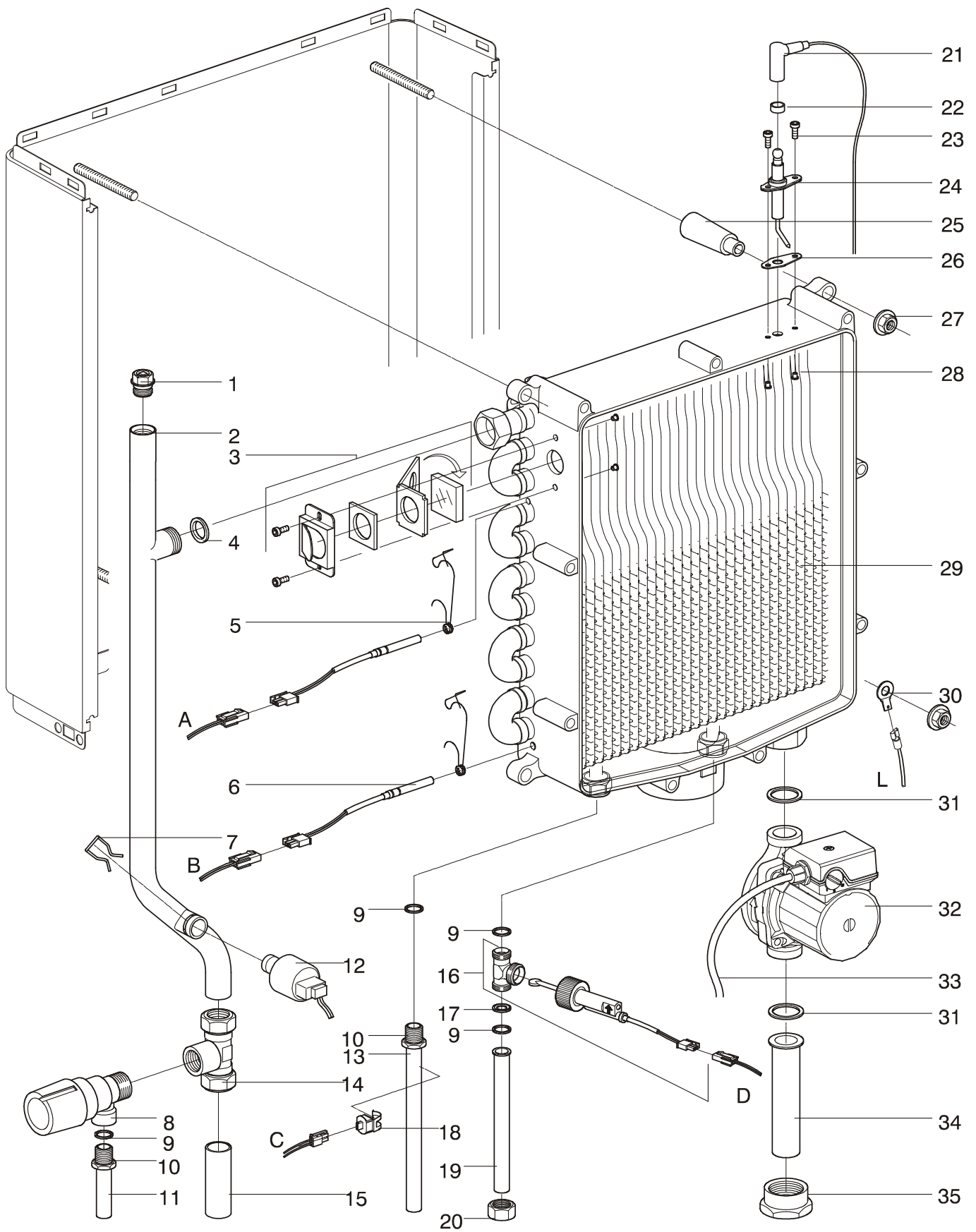
# Outer case

Pos.nr.	Article no.	Name	Price (£)														
				Compact 18 OV	Compact 24 OV	Compact 30 OV	Compact 18 SB	Compact 24 SB	Compact 30 SB	Compact 40 SB	Combi Compact HRE 24/18	Combi Compact HRE 28/24	Combi Compact HRE 36/30	Combi Compact HRE 36/40			
1	490097	Cap (5 per boiler)	0.30	•	•	•	•	•	•	•	•	•	•	•	•	•	•
2	878287	Grommet flowpipe (2 per boiler)	1.85				•	•	•	•	•	•	•	•	•	•	•
3	845317	Top cover (Combi & SB)	26.50				•	•	•	•	•	•	•	•	•	•	•
	665357	Top cover set OV (Incl. isolation, caps and grommets)	50.25	•	•	•											
4	876447	Isolation topside	9.20				•	•	•	•	•	•	•	•	•	•	•
5	878557	Grommet (pump)	1.85				•	•	•	•	•	•	•	•	•	•	•
	878487	Grommet (drain)	1.25	•	•	•											
6	878577	Grommet condensate trap	2.40	•	•	•	•	•	•	•	•	•	•	•	•	•	•
7	845327	Bottom	37.40	•	•	•	•	•	•	•	•	•	•	•	•	•	•
8	845347	Side cover left	2.40	•	•	•	•	•	•	•	•	•	•	•	•	•	•
9	826087	Nut red	0.95										•	•	•	•	•
10	826097	Nut yellow	0.95	•	•	•	•	•	•	•	•	•	•	•	•	•	•
11	845357	Side cover right	2.40	•	•	•	•	•	•	•	•	•	•	•	•	•	•
12	390077	Speednut 4.2 (2 per boiler)	0.55	•	•	•	•	•	•	•	•	•	•	•	•	•	•
13	826077	Nut blue	0.95										•	•	•	•	•
14	876207	Gasket	0.30	•	•	•	•	•	•	•	•	•	•	•	•	•	•
15	866147	Drain	0.40	•	•	•	•	•	•	•	•	•	•	•	•	•	•
16	146698	Rear cover small – 24kW	40.75	•			•						•				
	146768	Rear cover medium – 28kW	42.80		•			•						•			
	146778	Rear cover large – 36kW	44.85			•			•	•					•	•	
17	877917	Seal cover rear (L=1050mm, 2 per boiler), price per meter	1.25	•			•						•				
		Seal cover rear (L=1110mm, 2 per boiler), price per meter	1.25		•			•						•			
		Seal cover rear (L=1170mm, 2 per boiler), price per meter	1.25			•			•	•					•	•	
18	876427	Isolation cover small 24kW (2 per boiler)	15.60	•			•						•				
	876437	Isolation cover medium 28kW (2 per boiler)	17.35		•			•						•			
	876367	Isolation cover large 36kW (2 per boiler)	18.35			•			•	•					•	•	
19	878517	Spacer (4 per boiler)	1.80	•	•	•	•	•	•	•	•	•	•	•	•	•	•
20	873547	Clip isolation (4 per boiler)	0.80	•	•	•	•	•	•	•	•	•	•	•	•	•	•
21	146688	Front cover small 24kW	33.95	•			•						•				
	146748	Front cover medium 28kW	35.70		•			•						•			
	146758	Front cover large 36kW	37.40			•			•	•					•	•	
22	390157	Starlock (2 per boiler)	0.35	•	•	•	•	•	•	•	•	•	•	•	•	•	•
23	320067	Retaining clip (2 per boiler)	0.15	•	•	•	•	•	•	•	•	•	•	•	•	•	•
24	878047	Grommet display	0.35	•	•	•	•	•	•	•	•	•	•	•	•	•	•
25	362167	Locking screw frontcover (2 per boiler)	0.15	•	•	•	•	•	•	•	•	•	•	•	•	•	•
26	845337	Bottom cover frontside	7.95	•	•	•	•	•	•	•	•	•	•	•	•	•	•
27	490127	Plastic cap (Instead of pos 9, 10 & 13)	0.25	•	•	•	•	•	•	•	•	•					



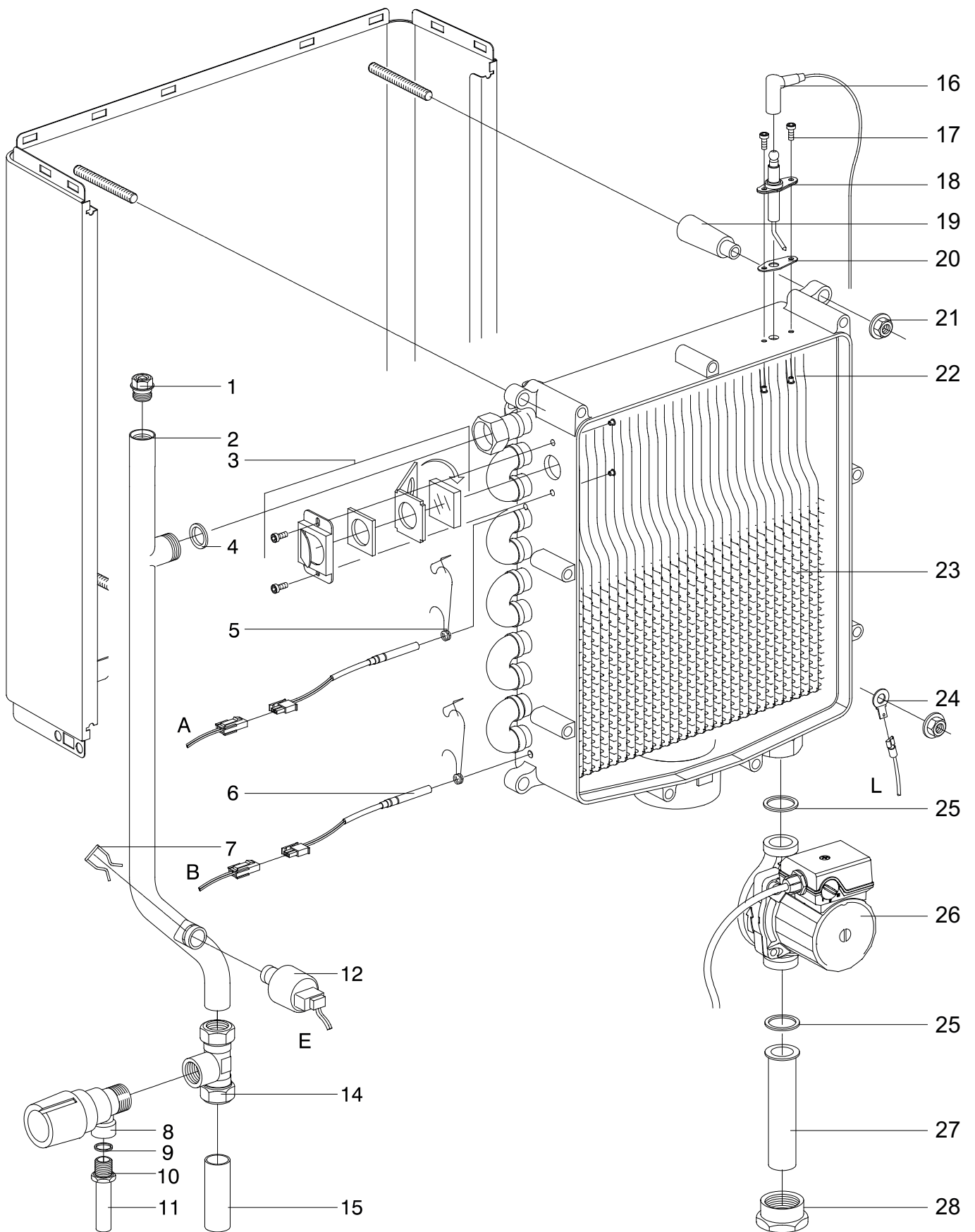
# Heat exchanger (watersided) Combi boilers

Pos.nr.	Article no.	Name	Remark	Price (£)	Combi Compact	Combi Compact	Combi Compact	Combi Compact
					HRE 24/18	HRE 28/24	HRE 36/30	HRE 36/40
1	843017	Air release vale 3/8 "G (manual)		2.40	•	•	•	•
2	854667	Flow pipe 24kW		51.10	•			
	854657	Flow pipe 28kW		61.30		•		
	854627	Flow pipe 36kW		50.30			•	•
3	081097	Inspection glass replacement set		5.20	•	•	•	•
4	875517	Bonded seal 3/4"		0.20	•	•	•	•
5	873337	Clip NTC 1 and NTC 2	2 per boiler	0.65	•	•	•	•
6	200117	NTC 1 - 2	2 per boiler	8.85	•	•	•	•
7	873537	Clip pressure sensor		0.95	•	•	•	•
8	844417	Pressure relieve valve 1/2"	WRAS approved	19.10	•	•	•	•
9	875907	Seal ring	4 per boiler , WRAS approved	0.40	•	•	•	•
10	825077	Thread ring		2.25	•	•	•	•
11	854647	Drain pipe PRV		1.85	•	•	•	•
12	864087	Pressure sensor CH		23.70	•	•	•	•
13	854587	Hot water pipe		7.80	•	•	•	•
14	823097	T-compression fitting		11.30	•	•	•	•
15	854637	Flow pipe (extension)		4.45	•	•	•	•
16	844267	Flow switch Sika VKX		34.60	•	•	•	•
17	829287	Spacer ring		1.70	•	•	•	•
18	200177	NTC DHW	Clip type	10.65	•	•	•	•
19	854527	Cold water pipe		4.15	•	•	•	•
20	826047	Nut 1/2"		1.90	•	•	•	•
21	221467	Ignition cable + cap		11.90	•	•	•	•
22	875867	Isolator ignition pin		0.45	•	•	•	•
23	305137	Bolt M4x10	2 pcs for ignition pin	0.10	•	•	•	•
24	209327	Ignition pin		12.70	•	•	•	•
25	878517	Spacer	4 per boiler	1.80	•	•	•	•
26	875677	Gasket ignition pin		0.55	•	•	•	•
27	313047	Lock nut M8	4 per boiler	0.20	•	•	•	•
28	319047	Insert M4	4 per boiler	0.35	•	•	•	•
29	147187	Heat exchanger 24kW Combi		406.35	•			
	147197	Heat exchanger 28kW Combi		460.70		•		
	147207	Heat exchanger 36kW Combi		515.05			•	
	147347	Heat exchanger 40kW Combi		515.05				•
30	231107	Earth connection		0.90	•	•	•	•
31	875567	Pump seal 1"	2 per boiler	0.45	•	•	•	•
32	210247	Pump 1" HRE	Incl. pump cable	110.85	•	•	•	
	210327	Pump RS15/7-3-130		142.40				•
33	221507	Pump cable		8.00	•	•	•	•
34	828287	Return pipe		4.85	•	•	•	•
35	826207	Pump nut 1"		3.75	•	•	•	•



## Heat exchanger (watersided) System boilers

Pos.nr.	Article no.	Name	Remark	Price	Compact 18 SB	Compact 24 SB	Compact 30 SB	Compact 40 SB
1	843017	Air release vale 3/8 "G (manual)		2.40	●	●	●	●
2	854667	Flow pipe 24kW		51.10	●			
	854657	Flow pipe 28kW		61.30		●		
	854627	Flow pipe 36kW		50.30			●	●
3	081097	Inspection glass replacement set		5.20	●	●	●	●
4	875517	Bonded seal 3/4"		0.20	●	●	●	●
5	873337	Clip NTC 1 and NTC 2	2 per boiler	0.65	●	●	●	●
6	200117	NTC 1 - 2	2 per boiler	8.85	●	●	●	●
7	873537	Clip pressure sensor		0.95	●	●	●	●
8	844417	Pressure relieve valve 1/2"	WRAS approved	19.10	●	●	●	●
9	875907	Seal ring	4 per boiler , WRAS approved	0.40	●	●	●	●
10	825077	Thread ring		2.25	●	●	●	●
11	854647	Drain pipe PRV		1.85	●	●	●	●
12	864087	Pressure sensor CH		23.70	●	●	●	●
14	823097	T-compression fitting		11.30	●	●	●	●
15	854637	Flow pipe (extension)		4.45	●	●	●	●
16	221467	Ignition cable + cap		11.90	●	●	●	●
17	305137	Bolt M4x10	2 pcs for ignition pin	0.10	●	●	●	●
18	209327	Ignition pin		12.70	●	●	●	●
19	878517	Spacer	4 per boiler	1.80	●	●	●	●
20	875677	Gasket ignition pin		0.55	●	●	●	●
21	313047	Lock nut M8	4 per boiler	0.20	●	●	●	●
22	319047	Insert M4	4 per boiler	0.35	●	●	●	●
23	147267	Heat exchanger 18kW SB		406.35	●			
	147277	Heat exchanger 24kW SB		460.70		●		
	147287	Heat exchanger 30kW SB		515.05			●	
	147357	Heat exchanger 40kW SB		515.05				●
24	231107	Earth connection		0.90	●	●	●	●
25	875567	Pump seal 1"	2 per boiler	0.45	●	●	●	●
26	210247	Pump 1" HRE	Incl. pump cable	110.85	●	●	●	
	210327	Pump RS15/7-3-130		142.40				●
27	828287	Return pipe		4.85	●	●	●	●
28	826207	Pump nut 1"		3.75	●	●	●	●



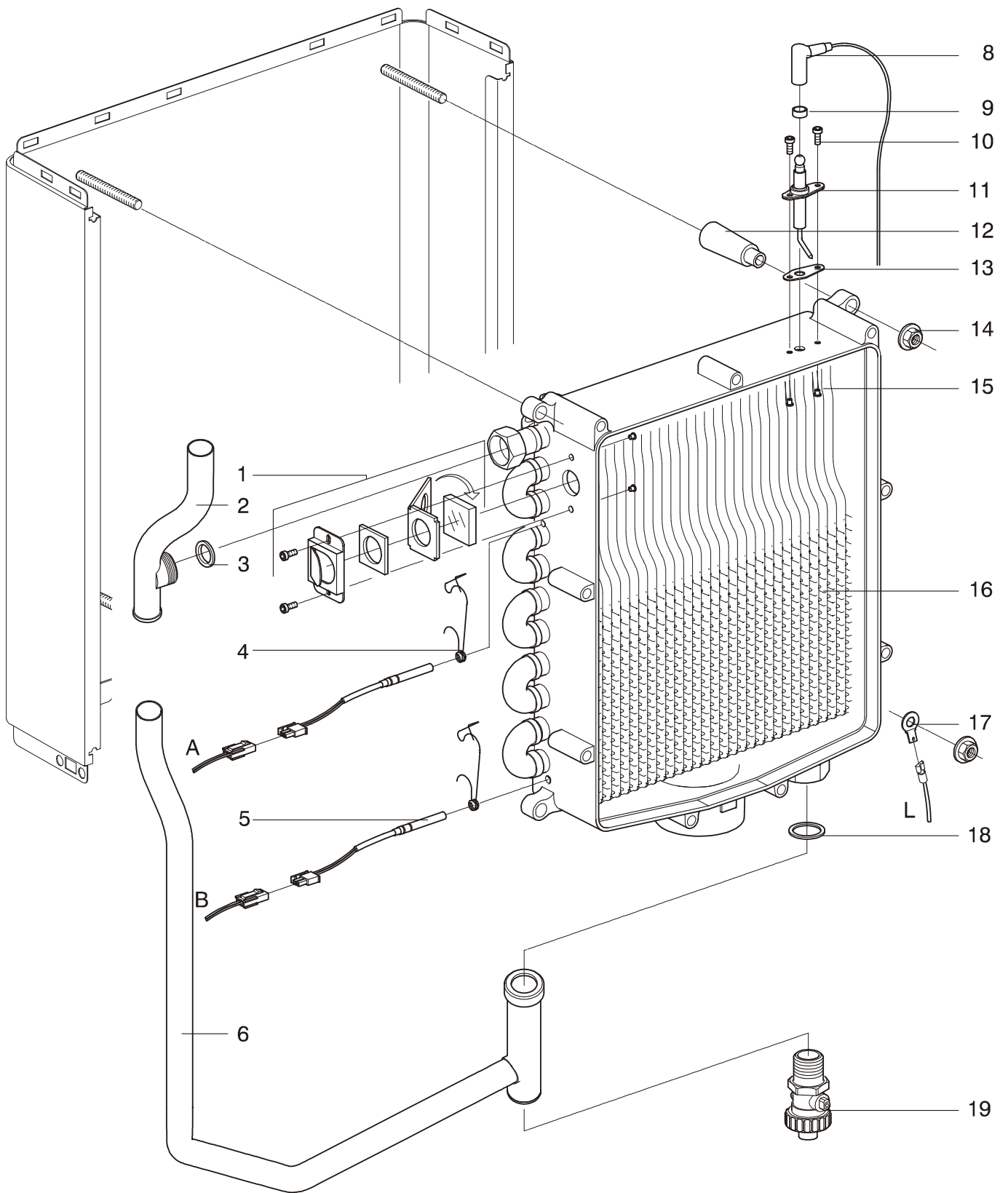
03010075

# Heat exchanger (watersided) Open Vent boilers

Pos.nr.	Article no.	Name	Remark	Price(£)	Compact 18 OV	Compact 24 OV	Compact 30 OV
1	081097	Inspection glass replacement set		5.20	●	●	●
2	854747	Flow pipe OV		25.00	●	●	●
3	875517	Bonded seal 3/4"		0.20	●	●	●
4	873337	Clip NTC 1 and NTC 2	2 per boiler	0.65	●	●	●
5	200117	NTC 1 - 2	2 per boiler	8.85	●	●	●
6	828357	Return pipe HRE 18 OV		43.50	●		
	828367	Return pipe HRE 24 OV		44.60		●	
	828377	Return pipe HRE 30 OV		45.70			●
7	841007	Filling tap/drain		16.50	●	●	●
8	221467	Ignition cable + cap		11.90	●	●	●
9	875867	Isolator ignition pin		0.45	●	●	●
10	305137	Bolt M4x10	2 pcs for ignition pin	0.10	●	●	●
11	209327	Ignition pin		12.70	●	●	●
12	829287	Spacer ring	4 per boiler	1.70	●	●	●
13	875677	Gasket ignition pin		0.55	●	●	●
14	313047	Lock nut M8	4 per boiler	0.20	●	●	●
15	319047	Insert M4	4 per boiler	0.35	●	●	●
16	147267	Heat exchanger 18kW OV		406.35	●		
	147277	Heat exchanger 24kW OV		460.70		●	
	147287	Heat exchanger 30kW OV		515.05			●
17	231107	Earth connection		0.90	●	●	●
18	875567	Pump seal 1"		0.45	●	●	●
19	841007	Drain		16.50	●	●	●

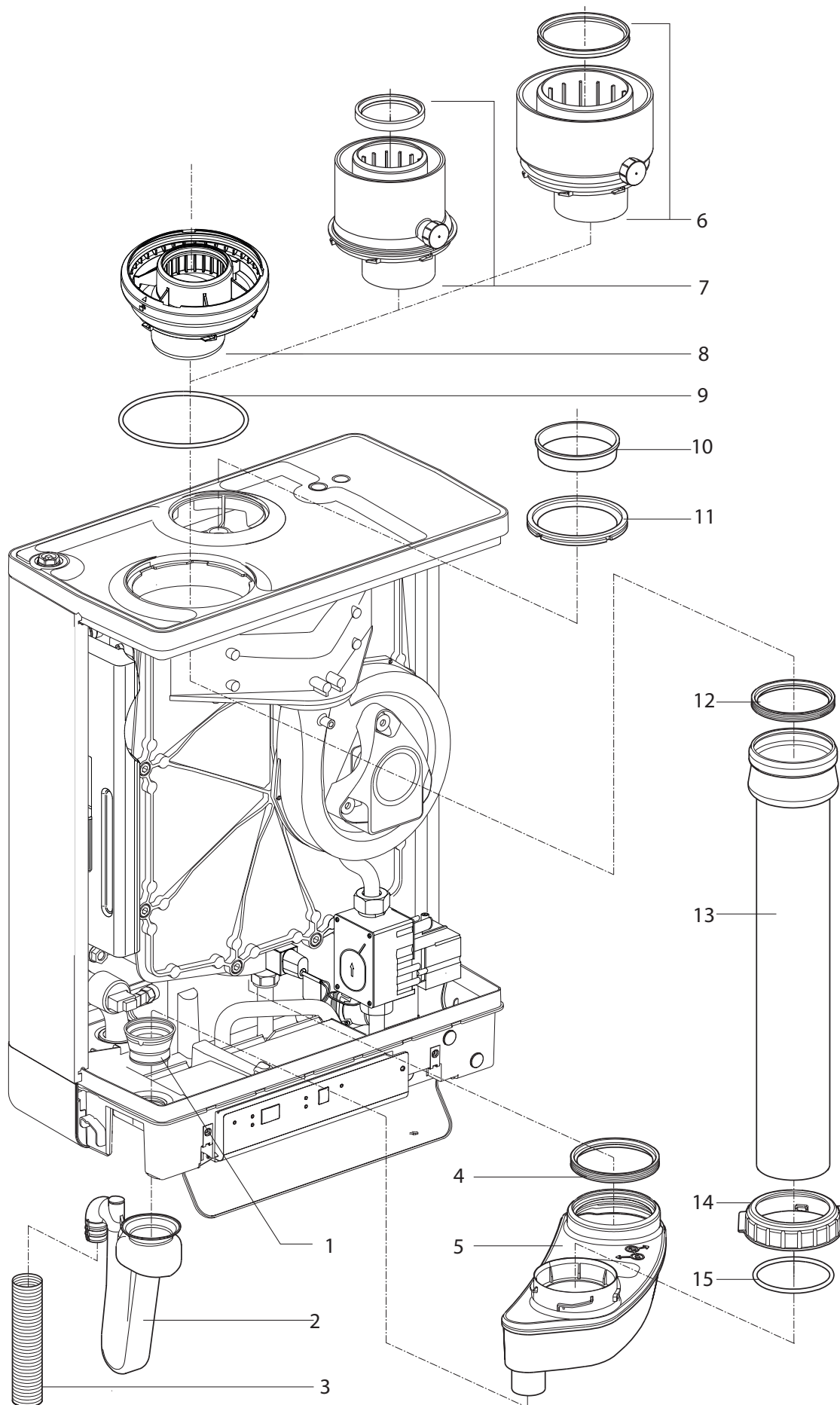
A,B,E,L			Wiring, see page 28				
C,D			Wiring, see page 28				





# Flue pipe/condensate system

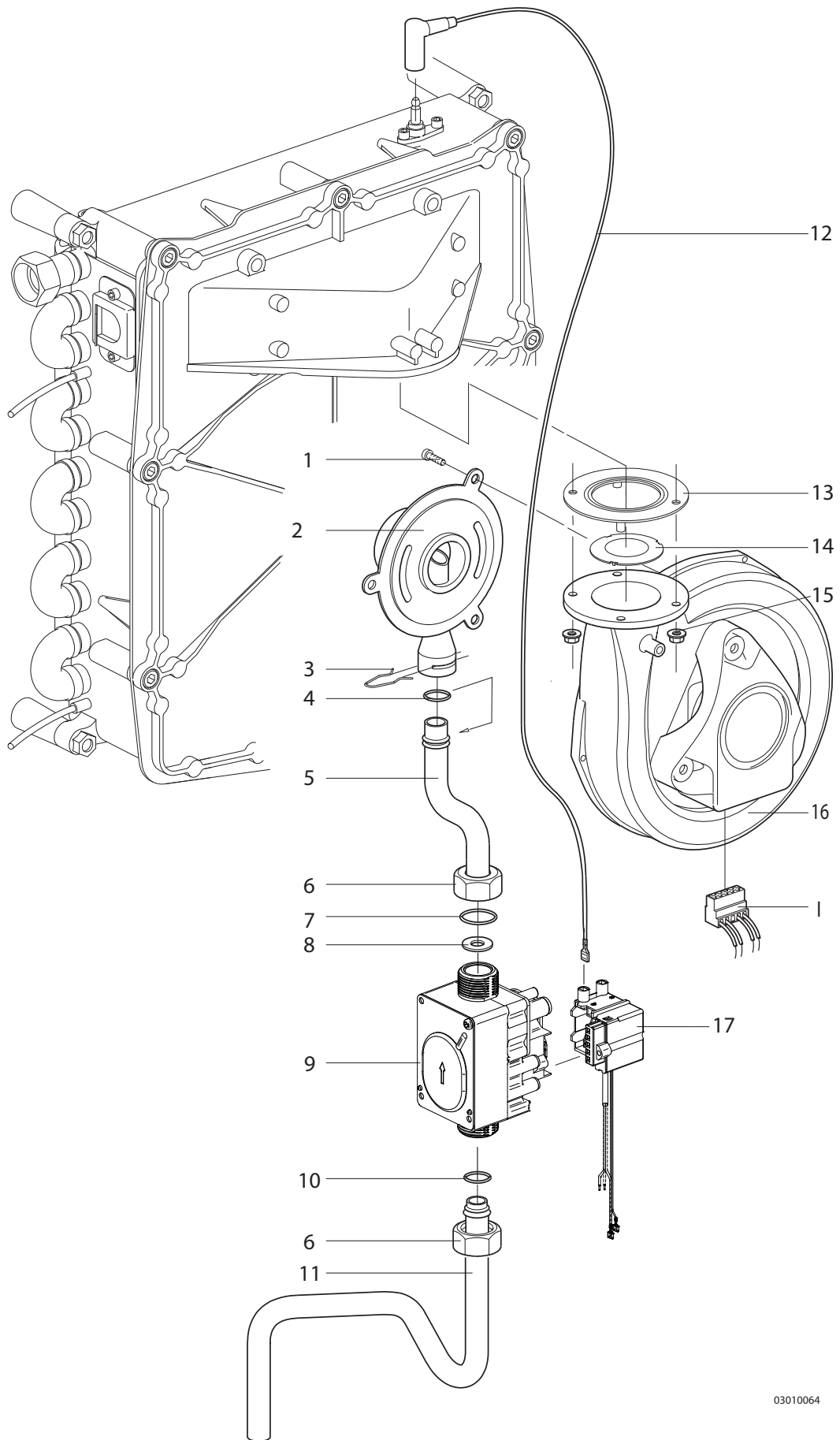
Pos.nr.	Article no.	Name	Price (£)														
				Compact 18 OV	Compact 24 OV	Compact 30 OV	Compact 18 SB	Compact 24 SB	Compact 30 SB	Compact 40 SB	Combi Compact HRE 24/18	Combi Compact HRE 28/24	Combi Compact HRE 36/30	Combi Compact HRE 36/40			
1	878577	Grommet condensate trap	2.40	•	•	•	•	•	•	•	•	•	•	•	•	•	•
2	844187	Condensate trap	6.65	•	•	•	•	•	•	•			•	•	•	•	
	844787	Condensate trap l=235	11.80									•					•
3	594157	Hose ø 25 x21 l=600mm	1.45	•	•	•	•	•	•	•	•	•	•	•	•	•	•
4	878147	Seal ø76	2.30	•	•	•	•	•	•	•	•	•	•	•	•	•	•
5	847037	Condensate collector	33.90	•	•	•	•	•	•	•	•	•	•	•	•	•	•
6	090557	Adapter set ø80/125 (incl. pos. 10)	54.10	•	•	•	•	•	•	•	•	•	•	•	•	•	•
7	090547	Adapter set ø60/100 (incl. pos 10)	54.10	•	•	•	•	•	•	•	•	•	•	•	•	•	•
8	847137	Adapter (basis for elbow in flue set)	52.95	•	•	•	•	•	•	•	•	•	•	•	•	•	•
9	878527	O-ring ø115x4	1.90	•	•	•	•	•	•	•	•	•	•	•	•	•	•
10	490087	Cap air connection	0.75	•	•	•	•	•	•	•	•	•	•	•	•	•	•
11	878387	Seal ring air connection 90-80	6.20	•	•	•	•	•	•	•	•	•	•	•	•	•	•
12	878547	Seal ring 70x82	2.30	•	•	•	•	•	•	•	•	•	•	•	•	•	•
13	847007	Flue pipe 24kW	18.95	•			•						•				
	847017	Flue pipe 28kW	20.35		•				•					•			
	847027	Flue pipe 36kW	21.70			•				•	•					•	•
14	847057	Securing nut flue pipe	6.45	•	•	•	•	•	•	•	•	•	•	•	•	•	•
15	878537	O-ring ø68x4	1.10	•	•	•	•	•	•	•	•	•	•	•	•	•	•



03010076

# Gas unit with 24 V fan and separate gas mixer

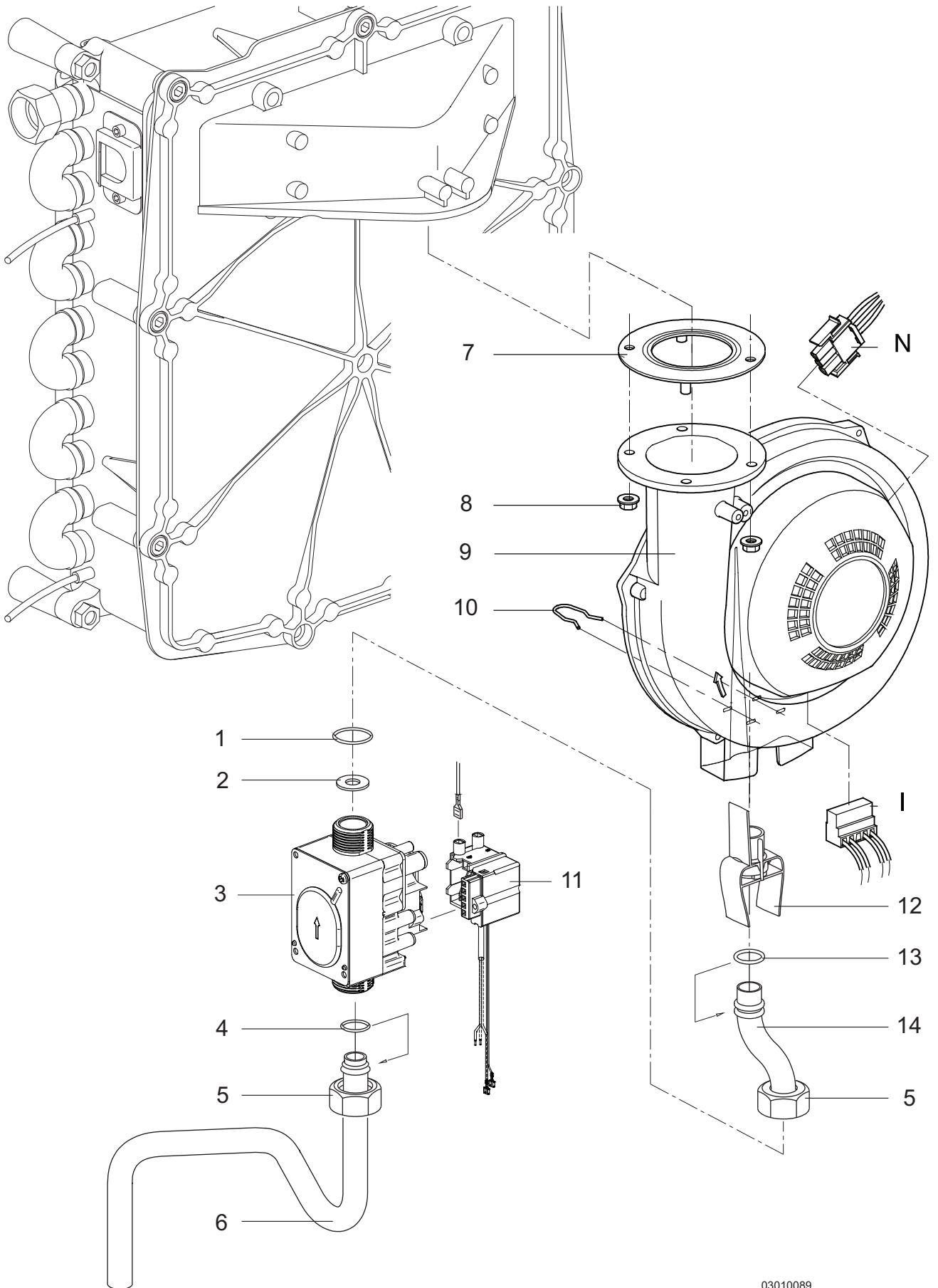
Pos.nr.	Article no.	Name	Price (£)										
				Compact 18 OV	Compact 24 OV	Compact 30 OV	Compact 18 SB	Compact 24 SB	Compact 30 SB	Combi Compact HRE 24/18	Combi Compact HRE 28/24	Combi Compact HRE 36/30	
1	305137	Bolt M4x10 (3 per boiler)	0.10	•	•	•	•	•	•	•	•	•	•
2	829217	Gas mixer 22 kW	20.70	•			•				•		
	829197	Gas mixer 28 kW	20.70		•	•		•	•			•	•
3	873027	Clip (2 per boiler)	0.50	•	•	•	•	•	•	•	•	•	•
4	875737	O-ring 15x2 nbr 70sh	0.30	•	•	•	•	•	•	•	•	•	•
5	854507	Gas mix pipe small	16.25	•			•				•		
	854567	Gas mix pipe medium	17.60		•			•				•	
	854577	Gas mix pipe large	18.95			•			•				•
6	826067	Nut ¾ ø19 (2 per boiler)	1.25	•	•	•	•	•	•	•	•	•	•
7	875827	O-ring 19 x 2	0.35	•	•	•	•	•	•	•	•	•	•
8	075527	Conversion set natural gas G20 (gas restriction ring 640)	21.50	•			•				•		
	075577	Conversion set nat. gas G20 (gas restriction ring 695)	21.50		•	•		•	•			•	•
	075697	Conversion set propane G31 (gas restriction ring 505)	21.50	•			•				•		
	075707	Conversion set propane G31 (gas restriction ring 550)	21.50		•	•		•	•			•	•
9	801527	Gas valve Siemens Smart	135.35	•	•	•	•	•	•	•	•	•	•
10	875757	Gasket (gas) 21.5/15.5	0.40	•	•	•	•	•	•	•	•	•	•
11	854537	Gas supply pipe HRE	10.80	•	•	•	•	•	•	•	•	•	•
12	221467	Ignition cable + cap	11.90	•	•	•	•	•	•	•	•	•	•
13	877807	Fan seal	1.90	•	•	•	•	•	•	•	•	•	•
14	147297	Restriction plate	0.85	•			•				•		
15	312027	Flange nut M5 (2 per boiler)	0.30	•	•	•	•	•	•	•	•	•	•
16	074397	Fan replacement set	137.45	•	•	•	•	•	•	•	•	•	•
17	801537	Ignition module Siemens YQG43	15.00	•	•	•	•	•	•	•	•	•	•
I			Wiring, see page 28	•	•	•	•	•	•	•	•	•	•



03010064

## Gas unit with 230 V fan

Pos.nr.	Article no.	Name	Remarks	Price(£)	Combi Compact HRE 36/40	Compact HRE 40 SB
1	875827	O-ring 19 x 2		0.35	•	•
2	075997	Conversion set natural gas G20	Gas restriction ring 655	21.50	•	•
	075947	Conversion set propane G31	Gas restriction ring 525	21.50	•	•
3	801527	Gas valve Siemens Smart		135.35	•	•
4	875757	Gasket (gas) 21.5/15.5		0.40	•	•
5	826067	Nut $\frac{3}{4}$ $\varnothing$ 19	2 per boiler	1.25	•	•
6	854937	Gas supply pipe HRE L=122			•	•
7	877807	Fan seal		1.90	•	•
8	312027	Flange nut M5 (2 per boiler)		0.30	•	•
9	074577	Fan replacement set HRE (HIP, 230 V)		223.70	•	•
10	873027	Clip		0.50	•	•
11	801537	Igniton module Siemens TQG 43		15.00	•	•
12	829527	Gas air module 362 (insert)		20.50	•	•
13	875967	O-ring 15x1,5 NBR 70sh		0.50	•	•
14	854727	Gas mix pipe HRE L=111		14.45	•	•
I, N			Wiring, see page 28		•	•

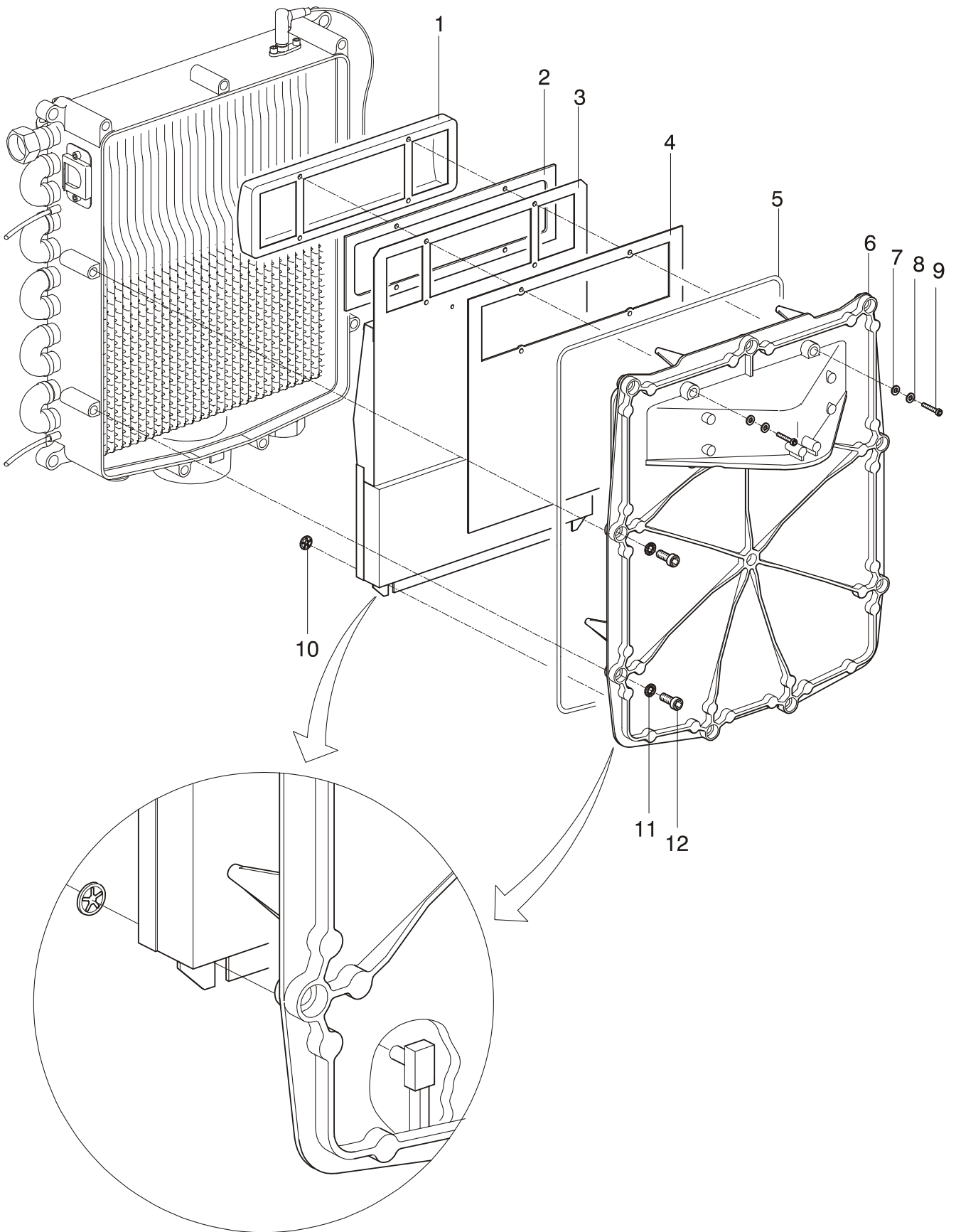


03010089

# Burner unit

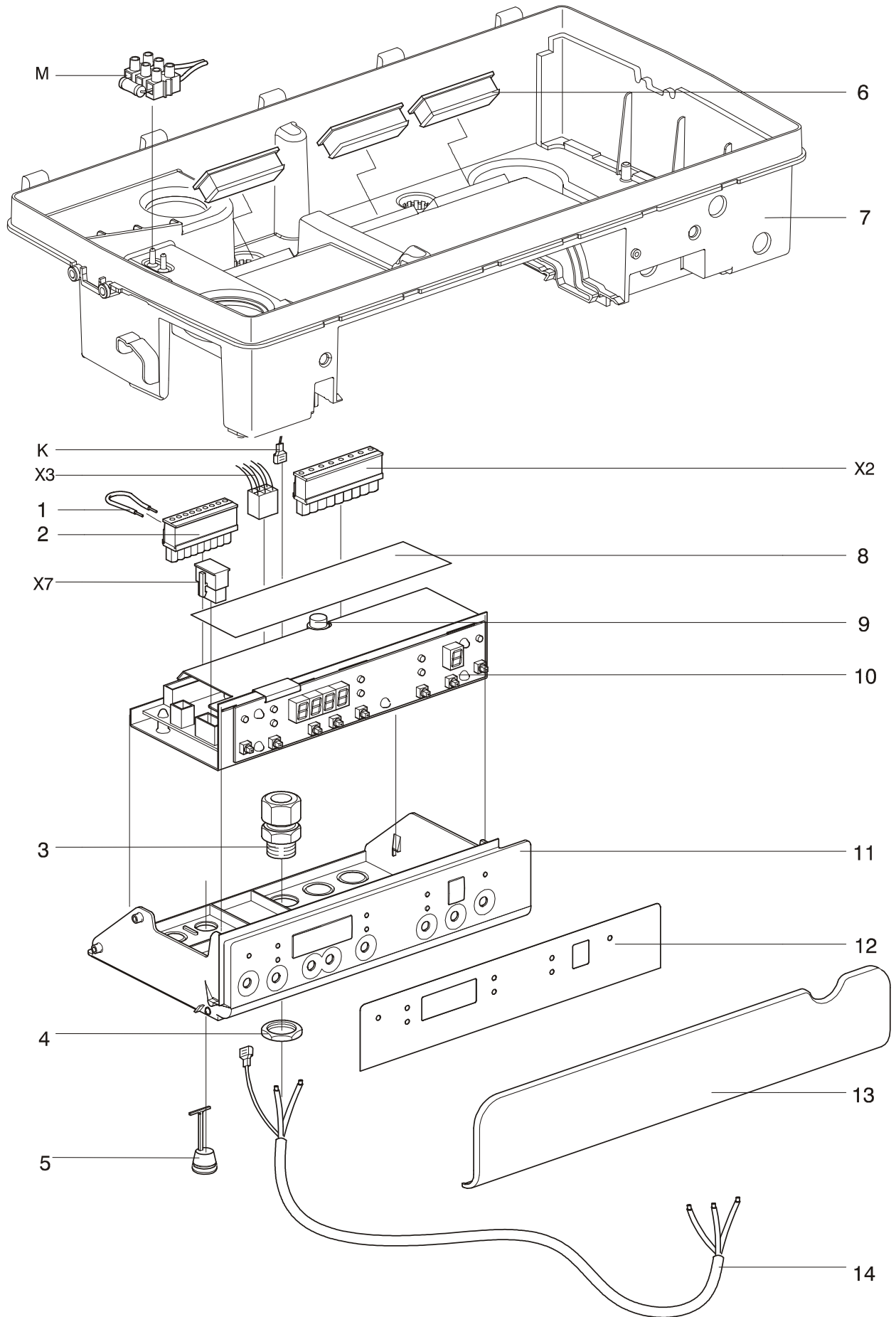
Pos.nr.	Article no.	Name	Price (£)	Compact 18 OV	Compact 24 OV	Compact 30 OV	Compact 18 SB	Compact 24 SB	Compact 30 SB	Compact 40 SB	Combi Compact HRE 24/18	Combi Compact HRE 28/24	Combi Compact HRE 36/30	Combi Compact HRE 36/40
1	800327	Burner knit	158.55	•	•	•	•	•	•	•	•	•	•	•
2	877847	Seal burner	1.90	•	•	•	•	•	•	•	•	•	•	•
3	073587	Isolation package 24kW	59.80	•			•				•			
	073597	Isolation package 28kW	66.60		•			•				•		
	073607	Isolation package 36kW	74.75			•			•	•			•	•
4	876457	Isolation frontplate	5.40	•	•	•	•	•	•	•	•	•	•	•
5	876467	Seal ring front plate 24kW	4.85	•			•				•			
	877927	Seal ring front plate 28kW	5.05		•			•				•		
	876597	Seal ring front plate 36kW	5.70			•			•	•			•	•
6	859807	Front plate 24kW	46.90	•			•				•			
	859817	Front plate 28kW	58.45		•			•				•		
	859827	Front plate 36kW	69.65			•			•	•			•	•
7	875897	Seal ring 8,5x4,2x0,5	0.15	•	•	•	•	•	•	•	•	•	•	•
8	323037	Ring burner connection (4 per boiler)	0.15	•	•	•	•	•	•	•	•	•	•	•
9	362157	Plate screw T20 (4 per boiler)	0.25	•	•	•	•	•	•	•	•	•	•	•
10	390087	Starlock 4mm (2 per boiler)	0.20	•	•	•	•	•	•	•	•	•	•	•
11	334007	Locking ring M8 (9 per boiler)	0.15	•			•				•			
		(11 per boiler)			•	•		•	•	•		•	•	•
12	305027	Bolt M8x40 incl. dri-loc (9 per boiler)	0.40	•			•				•			
		(11 per boiler)			•	•		•	•	•		•	•	•



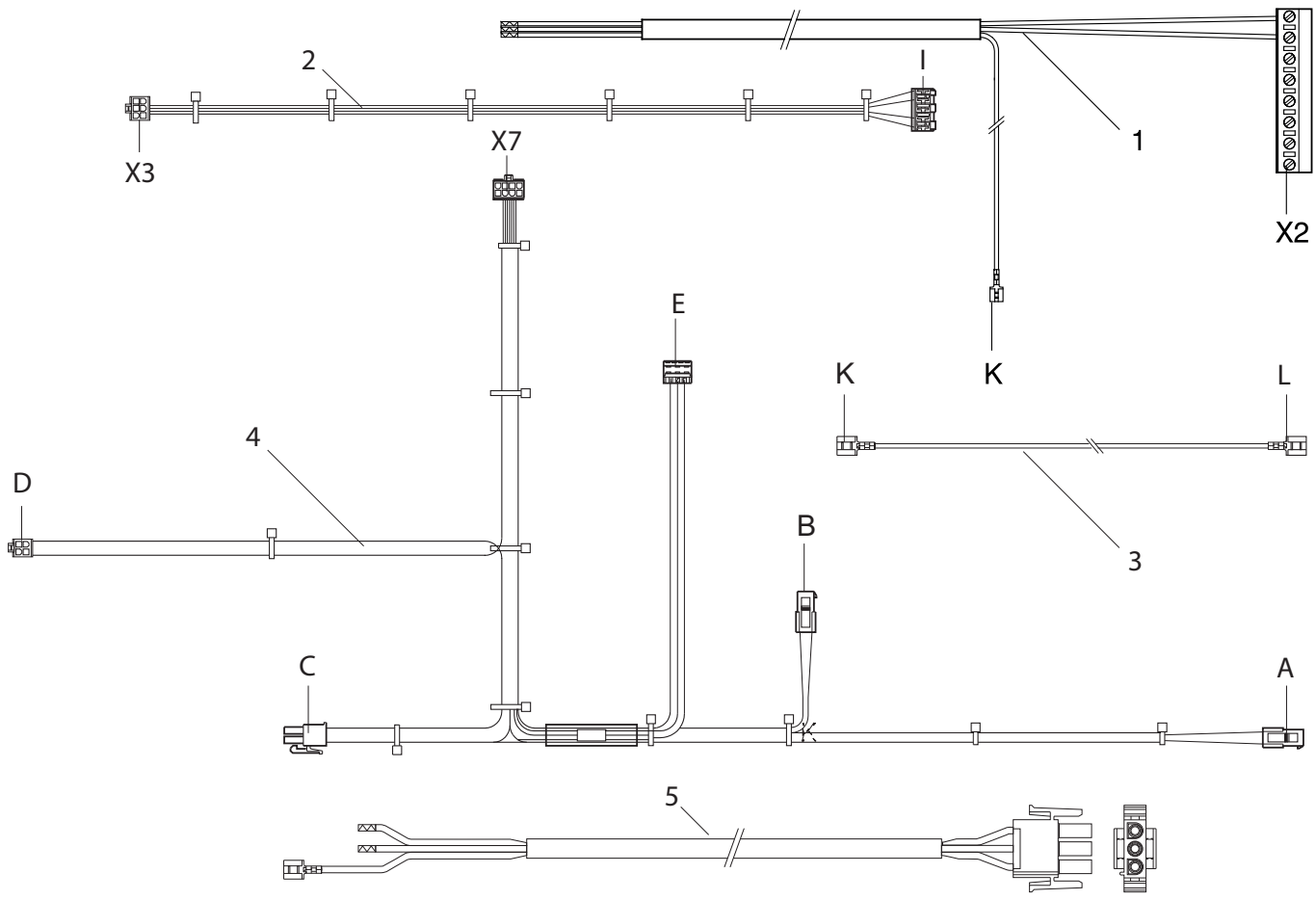


# Boiler control

Pos.nr.	Article no.	Name	Price (£)	Compact 18 OV	Compact 24 OV	Compact 30 OV	Compact 18 SB	Compact 24 SB	Compact 30 SB	Compact 40 SB	Combi Compact HRE 24/18	Combi Compact HRE 28/24	Combi Compact HRE 36/30	Combi Compact HRE 36/40
1	230687	Electrical connection wire yellow	0.25	•	•	•	•	•	•	•	•	•	•	•
2	260427	Connector 9 pins 5mm 24V	5.35	•	•	•	•	•	•	•	•	•	•	•
3	260047	Cable support nut M16	1.15	•	•	•	•	•	•	•	•	•	•	•
4	260037	Nut M12	0.20	•	•	•	•	•	•	•	•	•	•	•
5	490097	Cap (6 per boiler)	0.30	•	•	•	•	•	•	•	•	•	•	•
6	878567	Cable transfer sleeve (3 per boiler)	0.80	•	•	•	•	•	•	•	•	•	•	•
7	845327	Bottom	37.40	•	•	•	•	•	•	•	•	•	•	•
8	887017	Sticker (electric at connections) Combi	2.05	•	•	•	•	•	•	•	•	•	•	•
9	240277	Fuse F1 2 A-T	0.75	•	•	•	•	•	•	•	•	•	•	•
10	074447	Boiler controler	299.10	•	•	•	•	•	•		•	•	•	
	074637	Boiler controler HiP	299.10							•				•
11	845367	Casing boiler controler	7.30	•	•	•	•	•	•	•	•	•	•	•
12	886757	Display sticker Combi Compact HRE 24/18	7.35								•			
	886767	Display sticker Combi Compact HRE 28/24	7.35									•		
	886777	Display sticker Combi Compact HRE 36/30	7.35										•	
	885697	Display sticker Combi Compact HRE 36/40	7.35											•
	886727	Display sticker Compact HRE 18 SB	7.35				•							
	886737	Display sticker Compact HRE 24 SB	7.35					•						
	886747	Display sticker Compact HRE 30 SB	7.35						•					
	885687	Display sticker Compact HRE 40 SB	7.35							•				
	886697	Display sticker Compact HRE 18 OV	7.35	•										
	886707	Display sticker Compact HRE 24 OV	7.35		•									
886717	Display sticker Compact HRE 30 OV	7.35			•									
13	845307	Display cover	7.45	•	•	•	•	•	•	•	•	•	•	•
14	221637	Power cord	3.85	•	•	•	•	•	•	•	•	•	•	•
K,M,X 2,X3, X7			Wiring, see page 28	•	•	•	•	•	•		•	•	•	•



# Wiring Combi Compact HRE



03010077

Pos.nr.	Article no.	Name	Price (£)												
				Compact 18 OV	Compact 24 OV	Compact 30 OV	Compact 18 SB	Compact 24 SB	Compact 30 SB	Compact 40 SB	Combi Compact HRE 24/18	Combi Compact HRE 28/24	Combi Compact HRE 36/30	Combi Compact HRE 36/40	
1	221507	Pump cable	8.00	•	•	•	•	•	•	•	•	•	•	•	•
2	221477	Fan cable HRE	8.85	•	•	•	•	•	•	•	•	•	•	•	•
3	221437	Earth cable	0.55	•	•	•	•	•	•	•	•	•	•	•	•
4	221487	NTC cable Combi	12.90									•	•	•	•
	221497	NTC cable Solo (Without connections C and D)	9.45	•	•	•	•	•	•	•	•				
5	221557	Power supply cable 230 V fan	20.80								•				•

Lined area for notes or calculations, consisting of 40 horizontal lines.





---

Building 94, Bay 1 Vantage Point  
The Pensnett Estate  
Kingswinford  
West Midlands  
DY6 7FS  
Tel: 01527 888000  
Fax: 01384 279480  
[www.intergasheating.co.uk](http://www.intergasheating.co.uk)