

XTREME XCLUSIVE



SPARE PARTS MANUAL

MARCH 2019

INTERGAS®

CONTENTS

1	General information	3
2	Boilers and accessories range	6
3	Connection set (600504)	8
4	Outher Case	10
5	Heat exchanger CH-sided	12
6	Heat exchanger DHW sided	16
7	Flue pipe/condensate system	18
8	Gas unit	20
9	Burner unit	22
10	Boiler control	24
11	Wiring Xtreme/Xclusive	26

1 GENERAL INFORMATION

1.1 Contact information

Intergas Heating Ltd.

Unit 2
Easter Park
Worcester Road
Kidderminster
DY11 7AR

General contact information	
Telephone number	(01527) 88 80 00
Fax number	(01384) 27 94 80
Internet	www.intergasheating.co.uk
Email adress	info@intergasheating.co.uk
Office hours	Monday - Friday 08.00am – 5.00pm Saturday : 08.00am - 12.00pm.

1.2 Ordering information

Spare parts

In this spare parts manual the Xtreme/Xclusive series boilers are divided into subassemblies. For each subassembly a mounting drawing (exploded view) is shown, including the corresponding parts list.



To have all parts recognizable, on several drawing a magnifying glass enlarges the smaller parts.

All parts to be ordered from the Merchant.

When parts are not available at the Merchant contact Intergas Heating Ltd for further information during office hours.

Parts list

The parts list is shown as following:

Pos. no.	Art. no.	QTY	Description	Remark	Xtreme 24	Xtreme 30	Xtreme 36	Xclusive 24	Xclusive 30	Xclusive 36
x	XXXXXX	x			✓	✓	✓	✓	✓	✓

→ Indicates in which boiler the article applies.

→ Any remarks about the article.

→ Article description.

→ x = Article quantity per boiler.

→ Article number. Always consists of 6 characters.

→ Position number. Reflects with the position number in the drawing.

Website - <http://www.intergasheating.co.uk>

On our website more information can be found about our products, news, tools en various downloads. A digital version of this spare parts manual can be downloaded using the “Support” area of our website.

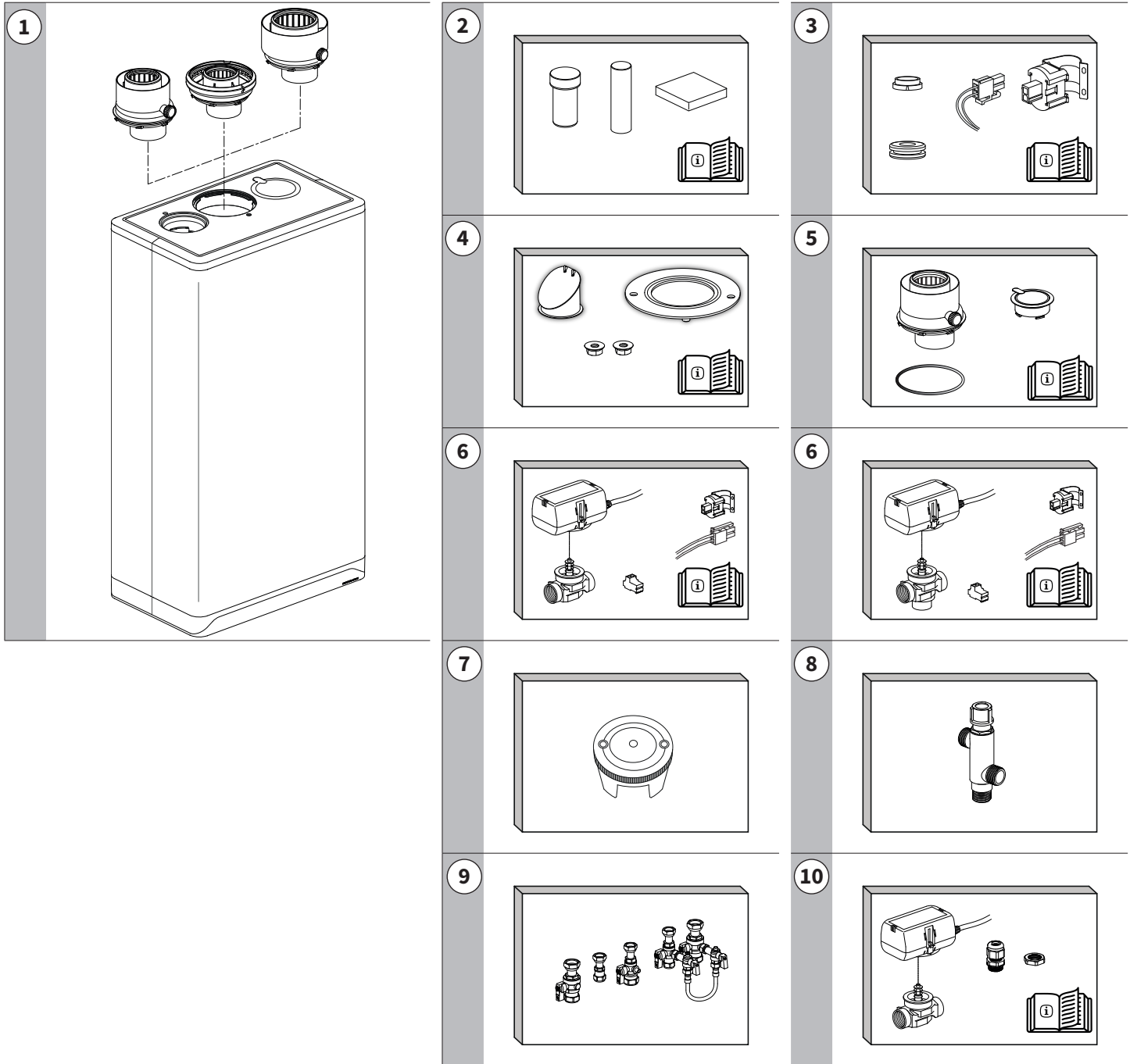
Ordering

When ordering spare parts we strongly recommend to use the article number and description. In this way you can be sure to receive the correct spare part. In caset of any doubt contact Intergas Heating Ltd.

We have an ongoing policy of continual improvement and development, therefore we reserve the right to change specifications without prior notice.

2 BOILERS AND ACCESSORIES RANGE

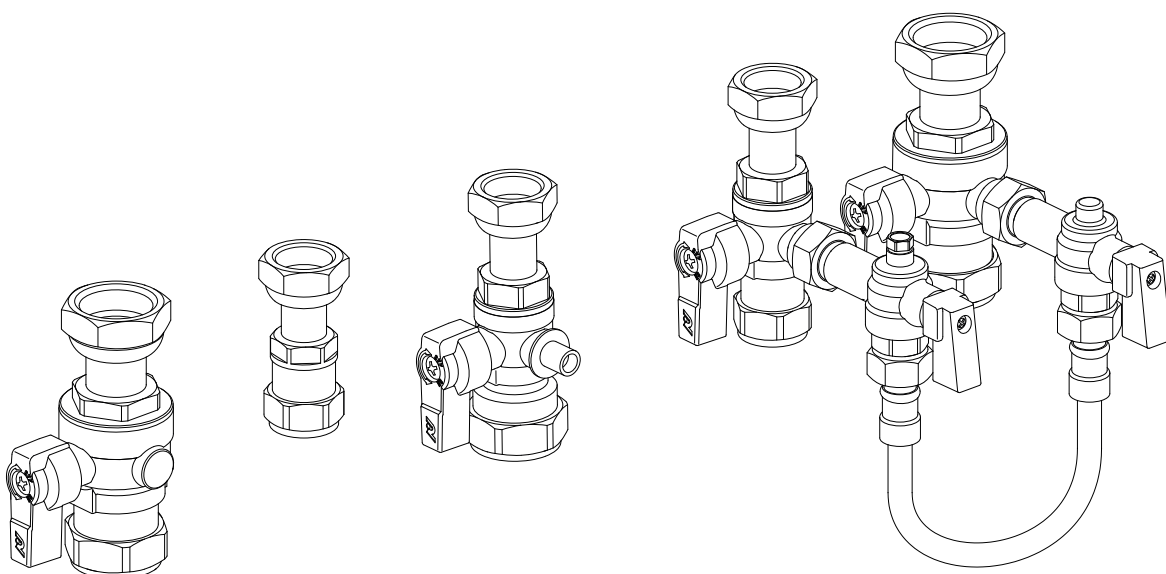
Intergas Xtreme / Xclusive boilers series



Pos. no.	Art. no.	QTY	Description	Remark	Xtreme 24	Xtreme 30	Xtreme 36	Xclusive 24	Xclusive 30	Xclusive 36
1	035004	1	Xtreme 24		✓					
	035014	1	Xtreme 30			✓				
	035024	1	Xtreme 36				✓			
	035104	1	Xclusive 24					✓		
	035114	1	Xclusive 30						✓	
	035124	1	Xclusive 36							✓
2	090577		Ceramic grease set	To use on bolts front plate	✓	✓	✓	✓	✓	✓
3	090347	1	Solar kit	After heating solar boiler, incl. pos 9	✓	✓	✓	✓	✓	✓
4	090417	1	Non return valve flue system		✓	✓	✓	✓	✓	✓
5	090547	1	Adapterset Ø60/100		✓	✓	✓	✓	✓	✓
6	093697	1	LT/HT 2-way valve set				✓			✓
7	093707	1	LT/HT 3-way valve set				✓			✓
8	203207	1	Outdoor sensor	NTC 12 kOhm	✓	✓	✓	✓	✓	✓
9	842177	1	Thermostatis mixing valve		✓	✓	✓	✓	✓	✓
10	600504	1	Connection set		✓	✓	✓	✓	✓	✓
11	092637	1	2-way valve set 230V	For underfloor heating inst. only	✓	✓	✓	✓	✓	✓

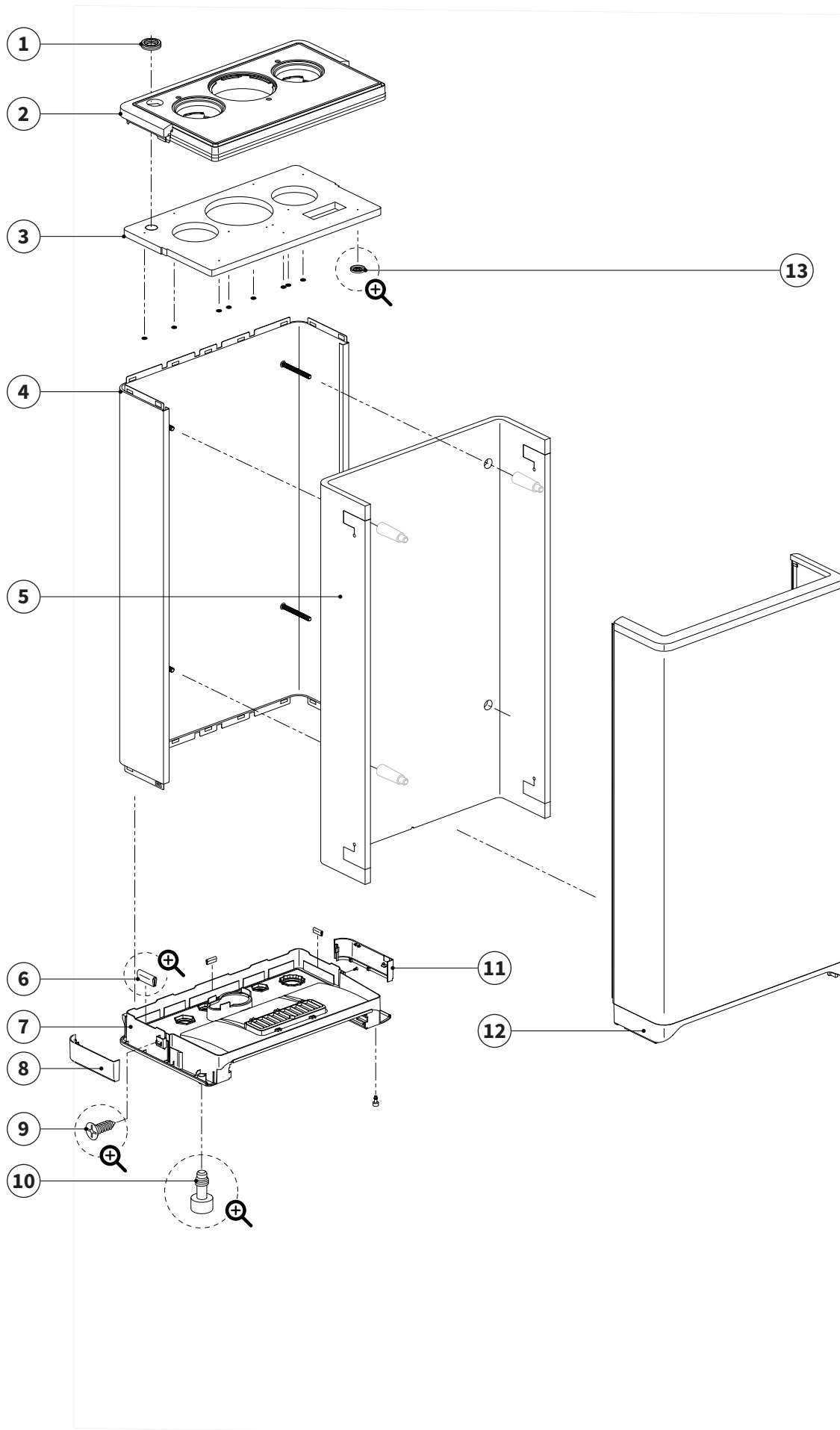
3 CONNECTION SET (600504)

1



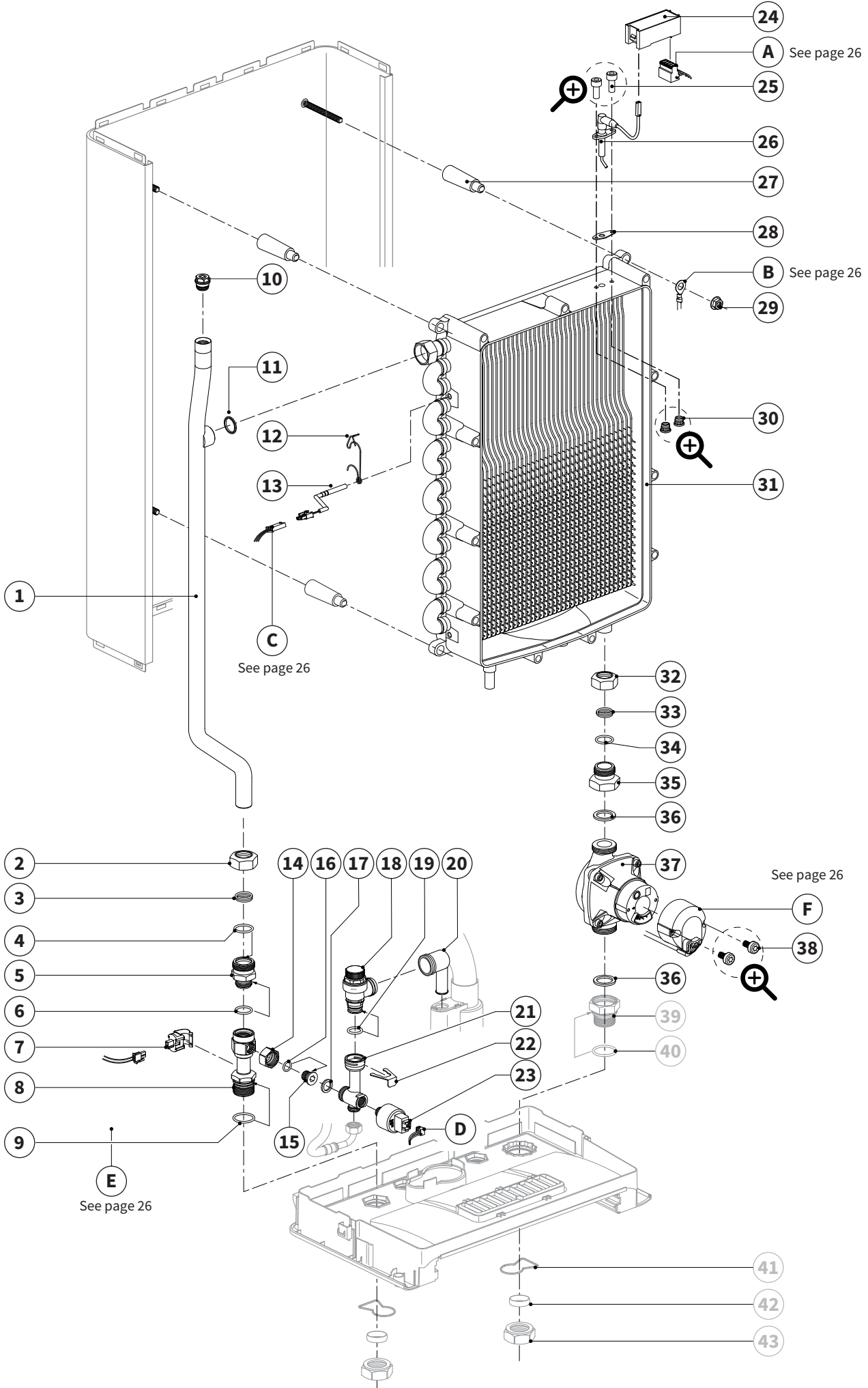
<i>Pos. no.</i>	<i>Art. no.</i>	<i>QTY</i>	<i>Description</i>	<i>Remark</i>	<i>Xtreme 24</i>	<i>Xtreme 30</i>	<i>Xtreme 36</i>	<i>Xclusive 24</i>	<i>Xclusive 30</i>	<i>Xclusive 36</i>
1	600504	1	Connection set + filling loop		✓	✓	✓	✓	✓	✓

4 OUTER CASE



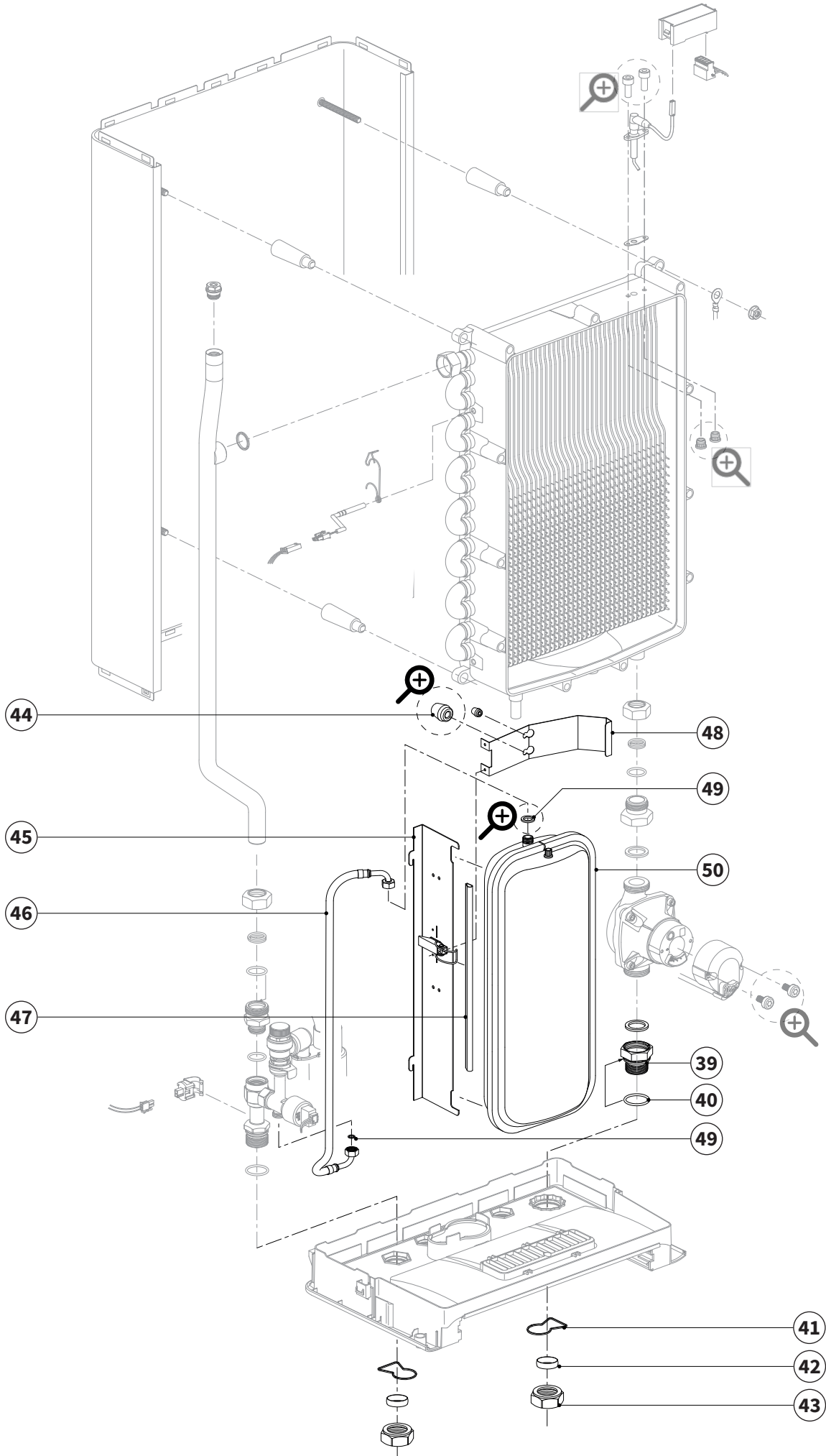
Pos. no.	Art. no.	QTY	Description	Remark	Xtreme 24	Xtreme 30	Xtreme 36	Xclusive 24	Xclusive 30	Xclusive 36
1	510144	1	Grommet flow pipe		✓	✓	✓	✓	✓	✓
2	500114	1	Top cover		✓	✓	✓	✓	✓	✓
3	875194	1	Isolation top		✓	✓	✓	✓	✓	✓
4	100334	1	Back casing middle		✓	✓		✓	✓	
	100304	1	Back casing large				✓			✓
5	875354	1	Isolation back casing small		✓			✓		
	875344	1	Isolation back casing middle			✓			✓	
	875234	1	Isolation back casing large				✓			✓
6	876237	3	Seal L = 21,5		✓	✓	✓	✓	✓	✓
7	500074	1	Bottom cover		✓	✓	✓	✓	✓	✓
8	500284	1	Bottom rim left side		✓	✓	✓	✓	✓	✓
9	300114	2	Cross recessed tapping screw M2.9 x 9.5		✓	✓	✓	✓	✓	✓
10	300004	2	Casing screw M6 x 13		✓	✓	✓	✓	✓	✓
11	500274	1	Bottom rim right side		✓	✓	✓	✓	✓	✓
12	077014	1	Front casing middle		✓	✓		✓	✓	
	077024	1	Front casing large				✓			✓
13	350054	9	Starlock 3,0 x 9		✓	✓	✓	✓	✓	✓

5 HEAT EXCHANGER CH-SIDED 1/2



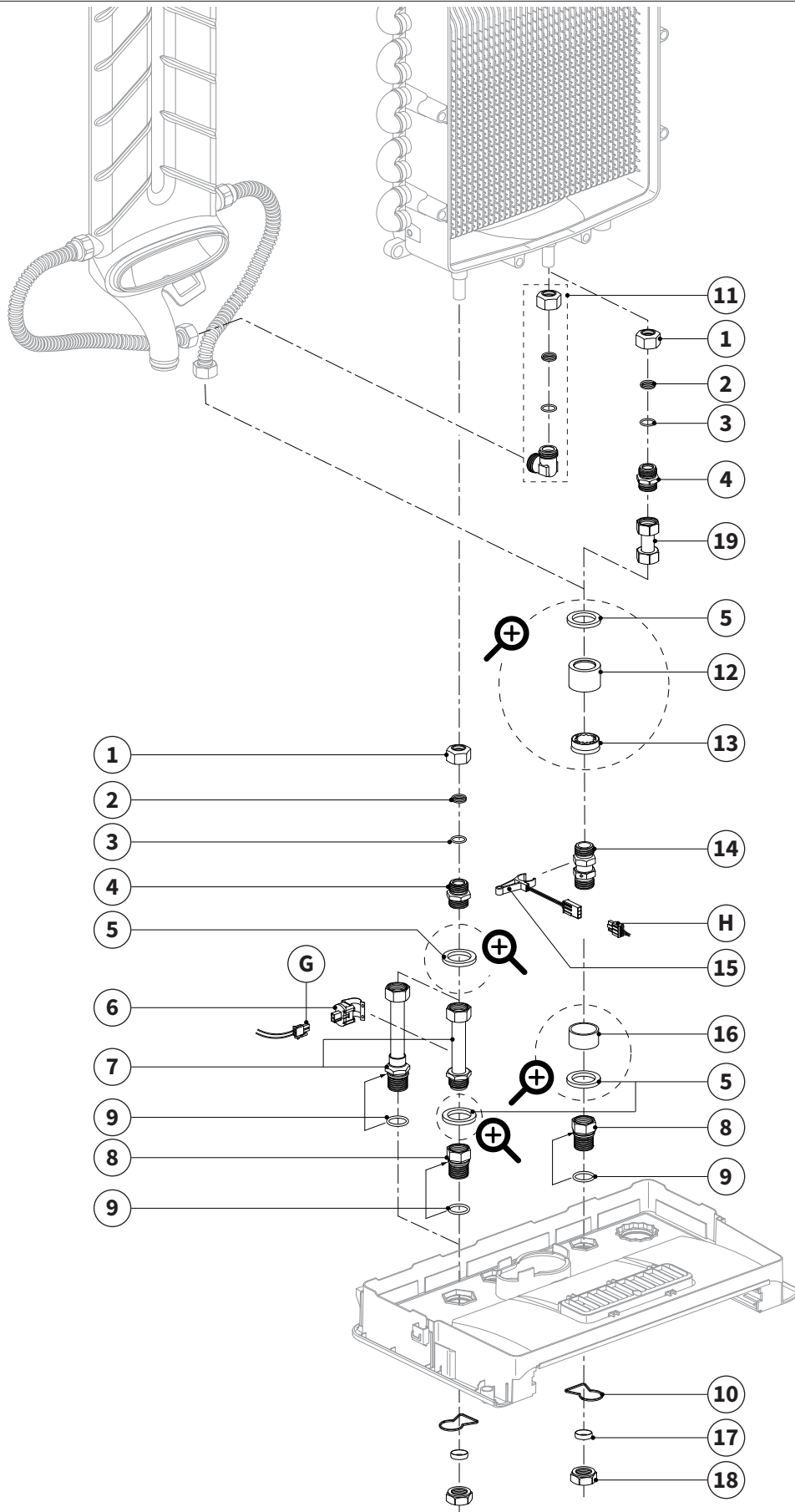
Pos. no.	Art. no.	QTY	Description	Remark	Xtreme 24	Xtreme 30	Xtreme 36	Xclusive 24	Xclusive 30	Xclusive 36
1	410234	1	Flow pipe CH middle		✓	✓		✓	✓	
	410264	1	Flow pipe large				✓			✓
2	450484	1	Nut Ø22 mm		✓	✓	✓	✓	✓	✓
3	350124	1	Clip spring Ø22 mm		✓	✓	✓	✓	✓	✓
4	620354	1	O-ring Ø21.9 x 2.62 EPDM		✓	✓	✓	✓	✓	✓
5	450604	1	Fitting UNF7/8" x 22 mm		✓	✓	✓	✓	✓	✓
6	620034	1	O-ring Ø19.3 x 2.4 EPDM		✓	✓	✓	✓	✓	✓
7	230054	1	NTC clamp Ø18 mm		✓	✓	✓	✓	✓	✓
8	450124	1	Fitting DHW kn22		✓	✓	✓	✓	✓	✓
9	620044	1	O-ring Ø25.3 x 2.4 EPDM		✓	✓	✓	✓	✓	✓
10	843017	1	Air release valve 3/8" G		✓	✓	✓	✓	✓	✓
11	875517	1	Seal ring Ø24 x Ø20 x 1.5		✓	✓	✓	✓	✓	✓
12	873337	1	Seal spring NTC heat exchanger		✓	✓	✓	✓	✓	✓
13	230034	1	NTC heat exchanger		✓	✓	✓	✓	✓	✓
14	826237	1	Coupling nut 1/2"		✓	✓	✓	✓	✓	✓
15	450304	1	Fitting bolt 1/4"		✓	✓	✓	✓	✓	✓
16	620184	1	O-ring 11.0 x 2.0 EPDM		✓	✓	✓	✓	✓	✓
17	875927	1	Seal WRAS Viton 18.5x13x2		✓	✓	✓	✓	✓	✓
18	600024	1	Safety relief valve		✓	✓	✓	✓	✓	✓
19	620334	1	O-ring 15.88x2.62 EPDM		✓	✓	✓	✓	✓	✓
20	510124	1	Rubber elbow		✓	✓	✓	✓	✓	✓
21	450294	1	Fitting PRV		✓	✓	✓	✓	✓	✓
22	350144	1	Spring PRV 18 mm		✓	✓	✓	✓	✓	✓
23	230044	1	Pressure sensor CH screwed		✓	✓	✓	✓	✓	✓
24	210014	1	Ignition unit ZAG1 240VAC		✓	✓	✓	✓	✓	✓
25	305137	2	Allen bolt M4 x 10		✓	✓	✓	✓	✓	✓
26	210024	1	Ignition pin		✓	✓	✓	✓	✓	✓
27	540014	4	Spacer		✓	✓	✓	✓	✓	✓
28	875677	1	Seal ignition pin		✓	✓	✓	✓	✓	✓
29	313047	4	Self locking nut M8		✓	✓	✓	✓	✓	✓
30	319047	2	Insert nut M4		✓	✓	✓	✓	✓	✓
31	120024	1	Heat exchanger middle		✓	✓		✓	✓	
	120044	1	Heat exchanger large				✓			✓
32	450474	1	Nut Ø20 mm		✓	✓	✓	✓	✓	✓
33	350114	1	Clip spring Ø20 mm		✓	✓	✓	✓	✓	✓
34	620294	1	O-ring Ø20.3 x 2.4 EPDM		✓	✓	✓	✓	✓	✓
35	450574	1	Fitting 1" x 20		✓	✓	✓	✓	✓	✓
36	875567	2	Pump seal 1"		✓	✓	✓	✓	✓	✓
37	074604	1	Repl. set Pomp Yonos Para rS15/7		✓	✓	✓	✓	✓	✓
38	300064	2	Self tapping bolt M4x8 TX20		✓	✓	✓	✓	✓	✓

HEAT EXCHANGER CH-SIDED 2/2



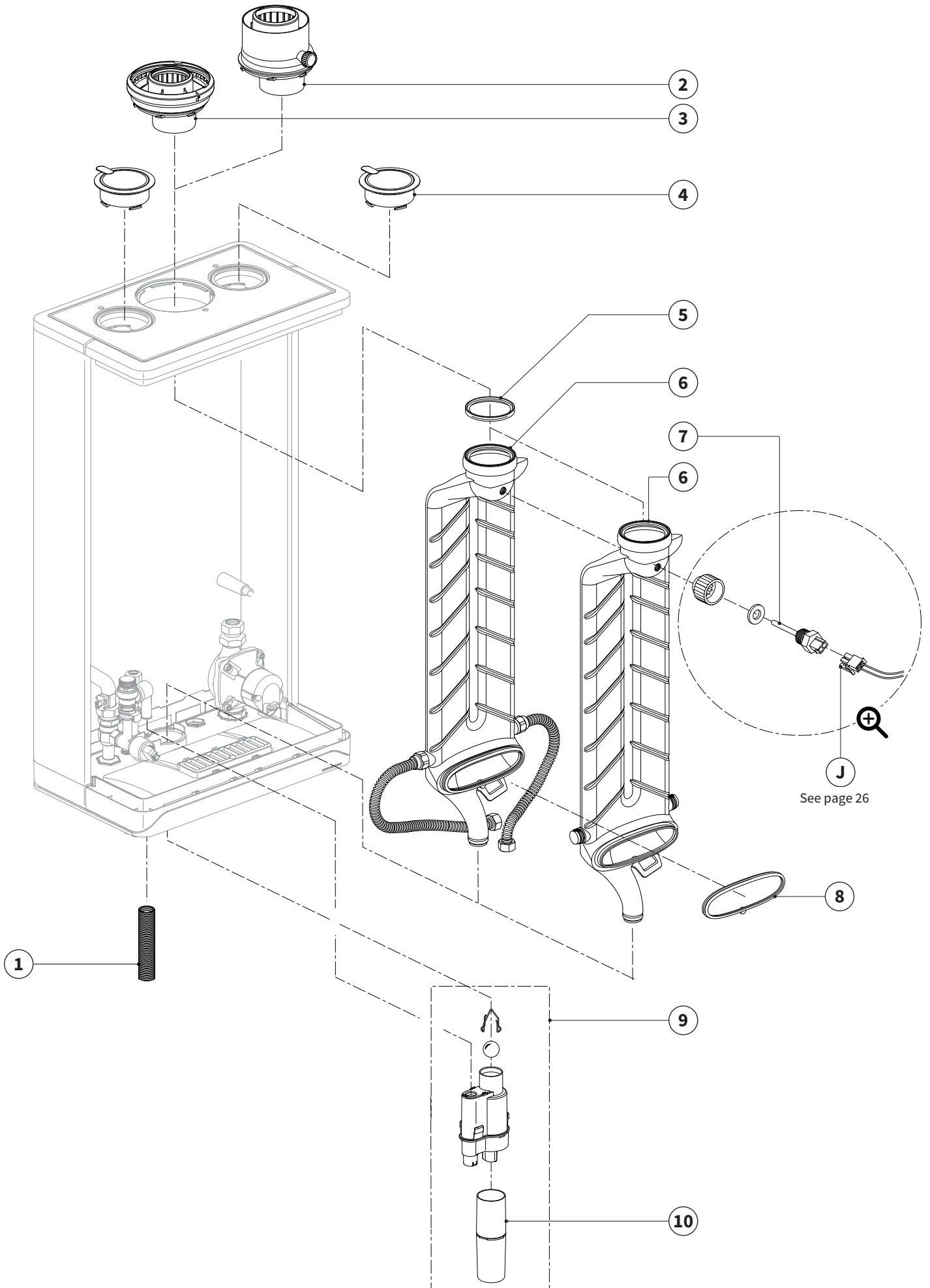
<i>Pos. no.</i>	<i>Art. no.</i>	<i>QTY</i>	<i>Description</i>	<i>Remark</i>	Xtreme 24	Xtreme 30	Xtreme 36	Xclusive 24	Xclusive 30	Xclusive 36
39	450184	1	Fitting G1" x Ø22 mm		✓	✓	✓	✓	✓	✓
40	875637	1	O-ring Ø28,25 x 2,62		✓	✓	✓	✓	✓	✓
41	350074	2	Spring connection nipple 3/4		✓	✓	✓	✓	✓	✓
42	824027	2	Compression ring Ø22 mm		✓	✓	✓	✓	✓	✓
43	826027	2	Nut Ø22 mm		✓	✓	✓	✓	✓	✓
44	540054	2	Spacer rubber		✓	✓	✓	✓	✓	✓
45	140014	1	Hinge plate exp. vessel		✓	✓	✓	✓	✓	✓
46	540064	1	Flexible hose L=720		✓	✓	✓	✓	✓	✓
47	147017	1	Protection strip exp. vessel		✓	✓	✓	✓	✓	✓
48	146417	1	Mounting clamp exp. vessel		✓	✓	✓	✓	✓	✓
49	875847	2	Seal ring Ø14 x 9,5 x 1,5 fiber		✓	✓	✓	✓	✓	✓
50	864067	1	Expansion vessel 6L 3/8		✓	✓	✓	✓	✓	✓

6 HEAT EXCHANGER DHW SIDED

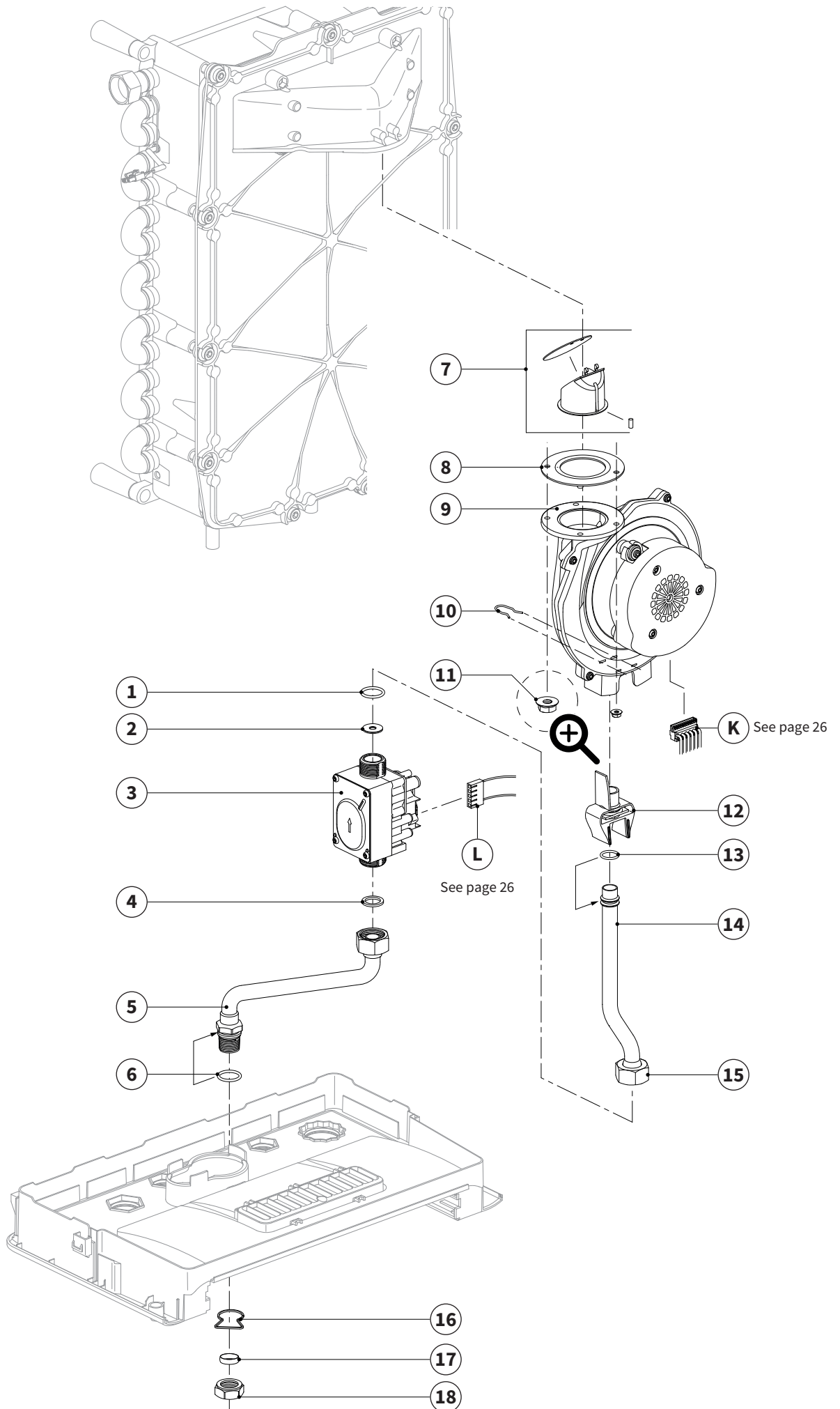


Pos. no.	Art. no.	QTY	Description	Remark	Xtreme 24	Xtreme 30	Xtreme 36	Xclusive 24	Xclusive 30	Xclusive 36
1	450464	2	Coupling nut G1/2" 13 mm		✓	✓	✓	✓	✓	✓
2	350104	2	Spring clip 13 mm		✓	✓	✓	✓	✓	✓
3	620004	2	O-ring Ø13.0 x 2.0 EPDM		✓	✓	✓	✓	✓	✓
4	450564	2	Fitting G1/2" x Ø13		✓	✓	✓	✓	✓	✓
5	875927	5	Seal ring Ø18.5 x Ø13 x 2 Viton		✓	✓	✓	✓	✓	✓
6	200177	1	NTC clip Ø15 mm		✓	✓	✓	✓	✓	✓
7	400124	1	Hot water pipe		✓	✓	✓	✓	✓	✓
	400204	1	Hot water pipe		✓	✓	✓	✓	✓	✓
8	450194	2	Fitting G1/2" x Ø15 mm		✓	✓	✓	✓	✓	✓
9	620034	4	O-ring Ø19.3 x 2.4 EPDM		✓	✓	✓	✓	✓	✓
10	350084	3	Spring connection nipple 1/2		✓	✓	✓	✓	✓	✓
11	074754	1	Serviceset knee fitting		✓	✓	✓			
12	540074	1	Filling piece G-NT 15.8 x 11.5		✓	✓	✓	✓	✓	✓
13	845004	1	Flow limiter G-NT 8,0 l/min			✓			✓	
	845014	1	Flow limiter G-NT 7,0 l/min		✓			✓		
14	074804	1	Service set flow sensor		✓	✓	✓	✓	✓	✓
15	900004	1	HAL Sensor		✓	✓	✓	✓	✓	✓
16	845137	1	Ring		✓	✓	✓	✓	✓	✓
17	824017	2	Clip ring Ø15 mm		✓	✓	✓	✓	✓	✓
18	826017	2	Nut Ø15 mm		✓	✓	✓	✓	✓	✓
19	400134	1	Tube Ø15 mm Cu					✓	✓	✓

7 FLUE PIPE/CONDENSATE SYSTEM

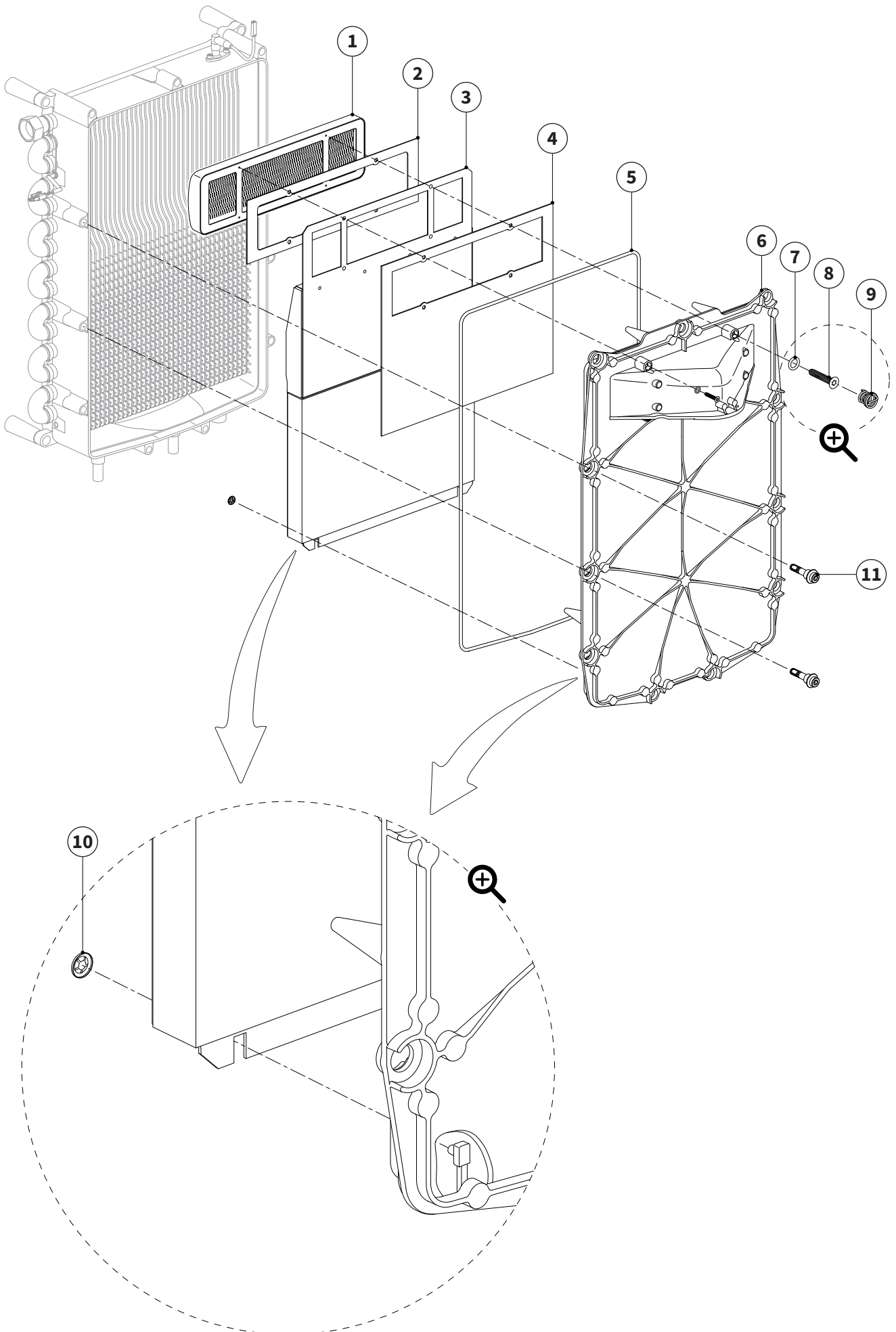


Pos. no.	Art. no.	QTY	Description	Remark	Xtreme 24	Xtreme 30	Xtreme 36	Xclusive 24	Xclusive 30	Xclusive 36
1	594157	1	Rib tube DN25 x21 l=600mm		✓	✓	✓	✓	✓	✓
2	847107	1	Flue adapter Ø60 x 100	Including lip ring and pos. 4	✓	✓	✓	✓	✓	✓
3	847137	1	Flue adapter Ø70 x 110		✓	✓	✓	✓	✓	✓
4	560054	2	Air inlet cap		✓	✓	✓	✓	✓	✓
5	878547	1	Lip ring DN70 x 82		✓	✓	✓	✓	✓	✓
6	079004	1	Service set flue collector middle Xtreme		✓	✓				
	079014	1	Service set flue collector large Xtreme				✓			
	079034	1	Service set flue collector middle Xclusive					✓	✓	
	079044	1	Service set flue collector large Xclusive							✓
7	074704	1	NTC flue gas replacement set		✓	✓	✓	✓	✓	✓
8	620264	1	Seal exchanger-fluepipe		✓	✓	✓	✓	✓	✓
9	075004	1	Service set sifon	Including pos. 10	✓	✓	✓	✓	✓	✓
10	510054	1	Sifon cup	Also part in set (pos. 9)	✓	✓	✓	✓	✓	✓



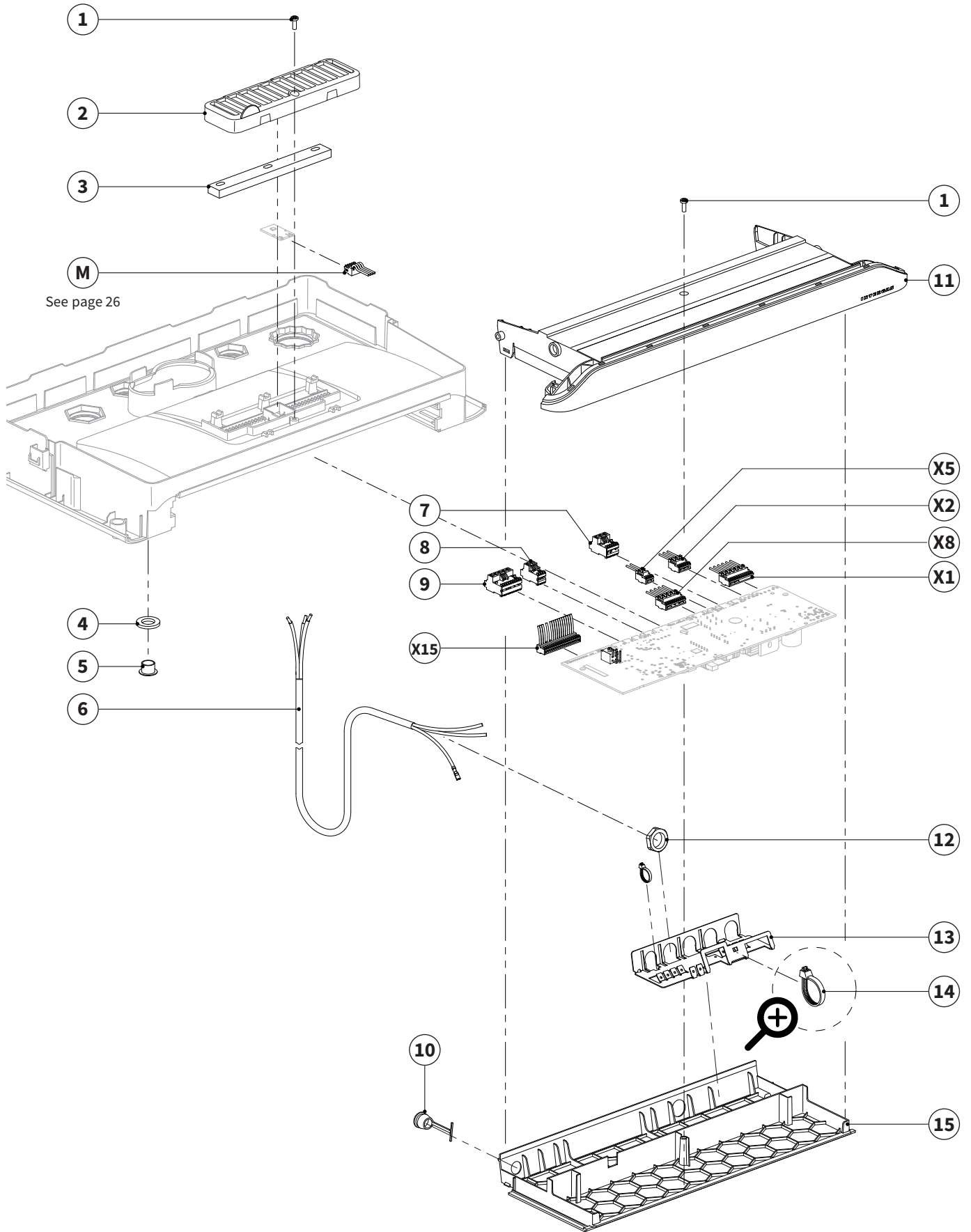
Pos. no.	Art. no.	QTY	Description	Remark	Xtreme 24	Xtreme 30	Xtreme 36	Xclusive 24	Xclusive 30	Xclusive 36
1	875827	1	O-ring Ø19 x 2		✓	✓	✓	✓	✓	✓
2	076934	1	Conversion set insert 500	use for natural gas G20	✓	✓	✓	✓	✓	✓
	076924	1	Conversion set insert 528	use for natural gas G20	✓	✓	✓	✓	✓	✓
	076914	1	Conversion set insert 500	use for propane gas G31	✓	✓	✓	✓	✓	✓
	076047	1	Conversion set insert 528	use for propane gas G31	✓	✓	✓	✓	✓	✓
3	074514	1	Replacement set Gas control Siemens VGU76S.H0584	Attention: 24V	✓	✓	✓	✓	✓	✓
4	875757	1	Seal ring 21.5/15.5 gas		✓	✓	✓	✓	✓	✓
5	400104	1	Gas supply tube		✓	✓	✓	✓	✓	✓
6	620034	4	O-ring Ø19.3 x 2.4 EPDM		✓	✓	✓	✓	✓	✓
7	090417	1	Flue gas valve set		✓	✓	✓	✓	✓	✓
8	877807	1	Seal ring fan		✓	✓	✓	✓	✓	✓
9	074304	1	Replacement set fan EBM NRG130	incl. pos. 8 and 2x pos. 11	✓	✓	✓	✓	✓	✓
10	873027	1	Spring		✓	✓	✓	✓	✓	✓
11	312027	2	Flange nut M5		✓	✓	✓			
12	829124	1	Gas-air module 528		✓			✓		
	829044	1	Gas-air module 456							
	829114	1	Gas-air module 500			✓	✓		✓	✓
13	875737	1	O-ring Ø15 x 2		✓	✓	✓	✓	✓	✓
14	854727	1	Gas connection tube middle L=111		✓	✓		✓	✓	
	854737	1	Gas connection tube large L=171				✓			✓
15	826067	1	Coupling nut 3/4"x Ø19		✓	✓	✓	✓	✓	✓
16	350084	3	Spring connection nipple 1/2		✓	✓	✓	✓	✓	✓
17	824017	1	Clip ring Ø15 mm		✓	✓	✓	✓	✓	✓
18	826017	1	Nut Ø15 mm		✓	✓	✓	✓	✓	✓

9 BURNER UNIT



Pos. no.	Art. no.	QTY	Description	Remark	Xtreme 24	Xtreme 30	Xtreme 36	Xclusive 24	Xclusive 30	Xclusive 36
1	800327	1	Burner		✓	✓	✓	✓	✓	✓
2	877847	1	Burner seal		✓	✓	✓	✓	✓	✓
3	073597	1	Insolation		✓	✓		✓	✓	
	073607	1	Insolation				✓			✓
4	876457	1	Gasket front plate / insolation		✓	✓		✓	✓	
	876377	1	Gasket front plate / insolation				✓			✓
5	877927	1	Seal front plate middle		✓	✓		✓	✓	
	620274	1	Seal front plate large				✓			✓
6	081247	1	Replacement set front plate middle	Incl. pos 2, 3, 4 and 5	✓	✓		✓	✓	
	081227	1	Replacement set front plate large	Incl. pos 2, 3, 4 and 5			✓			✓
7	875917	4	O-ring Ø6 x 1.5 silicon		✓	✓	✓	✓	✓	✓
8	362217	4	Plate screw T20 Countersunk		✓	✓	✓	✓	✓	✓
9	873577	1	Spring shoulder bolt		✓	✓	✓	✓	✓	✓
10	390087	2	Starlock 4 mm		✓	✓	✓	✓	✓	✓
11	305157	9	Shoulder bolt		✓			✓		
	305157	11	Shoulder bolt			✓	✓		✓	✓

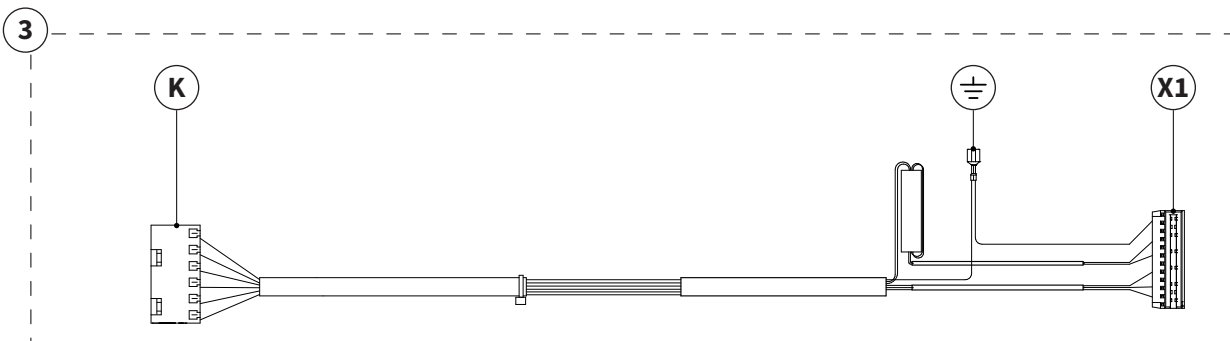
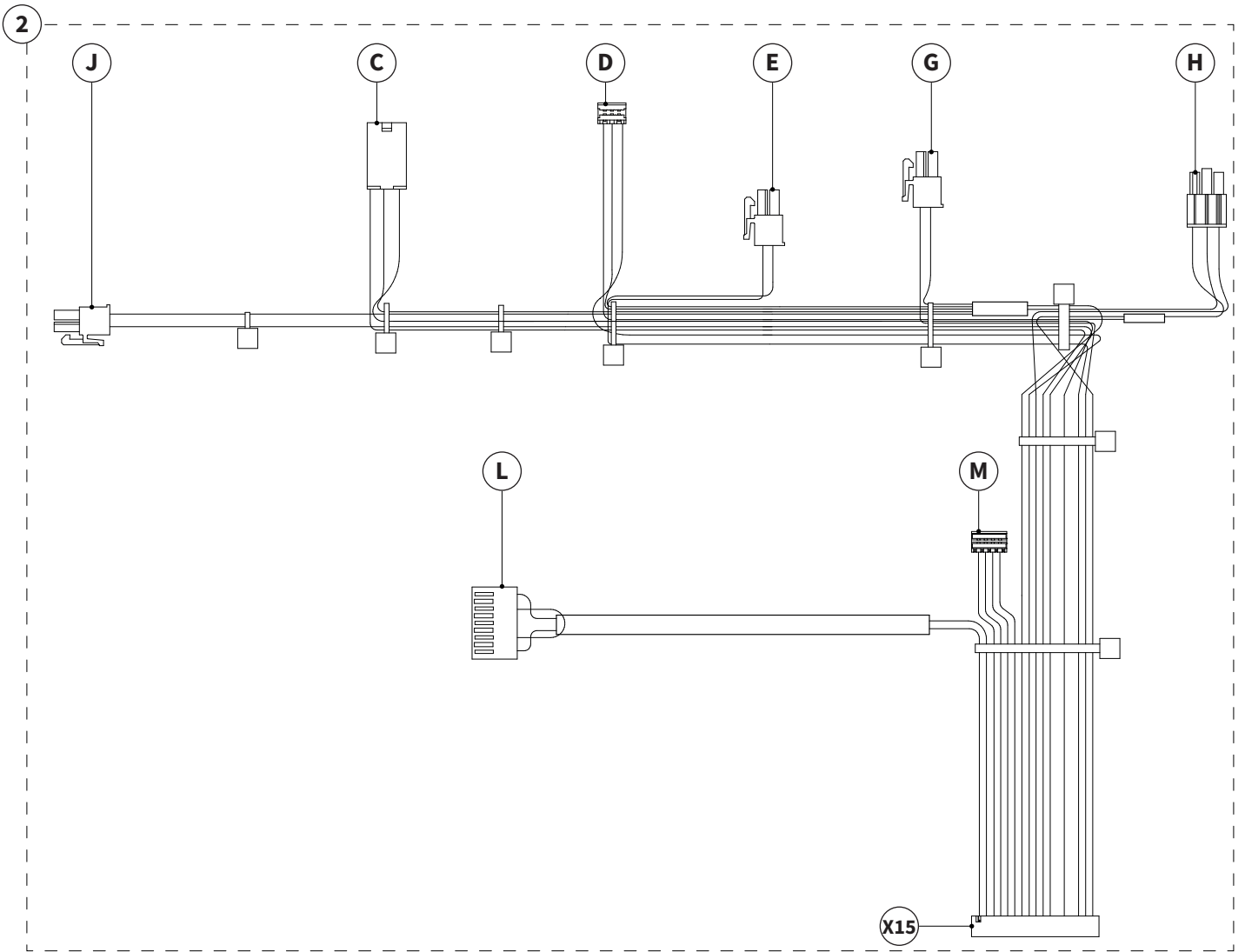
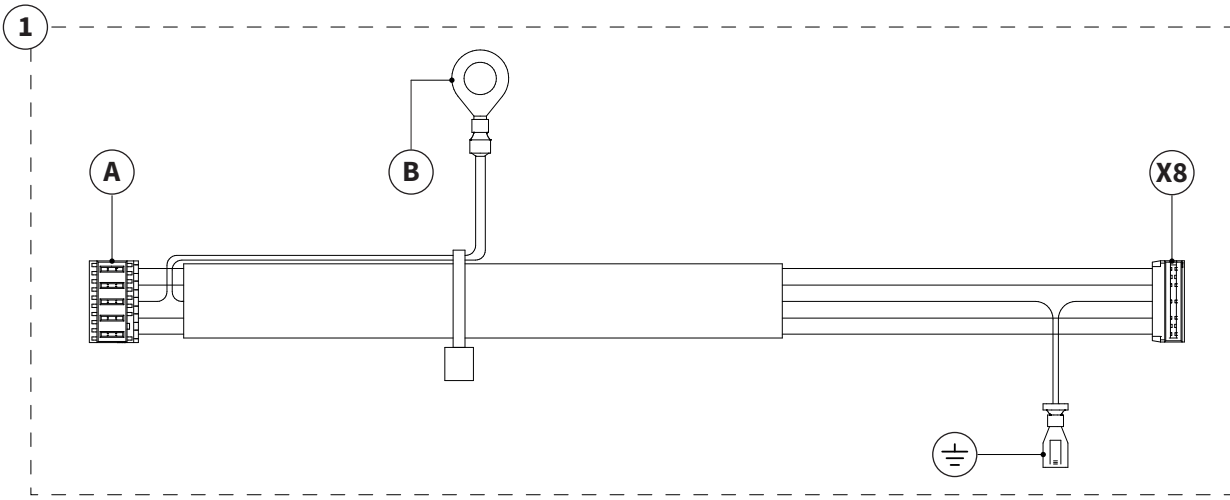
10 BOILER CONTROL

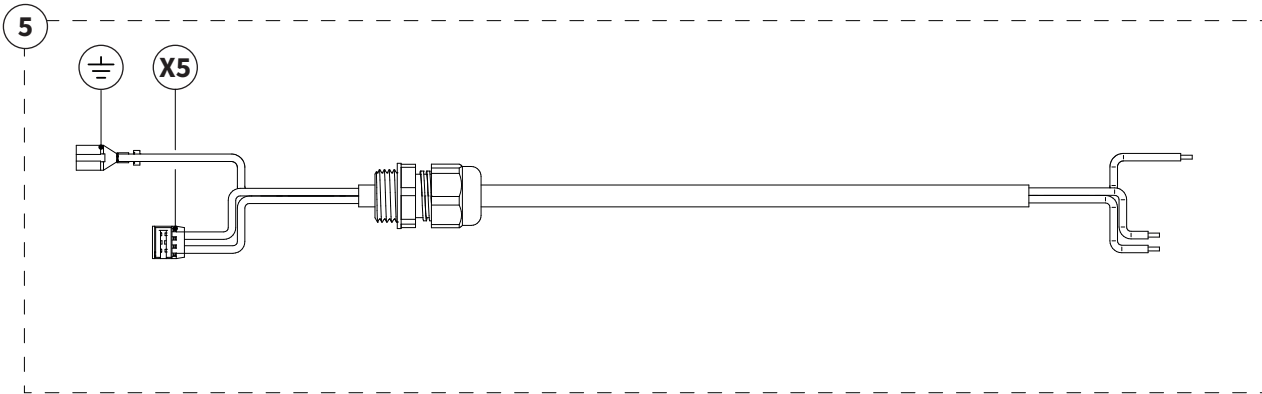
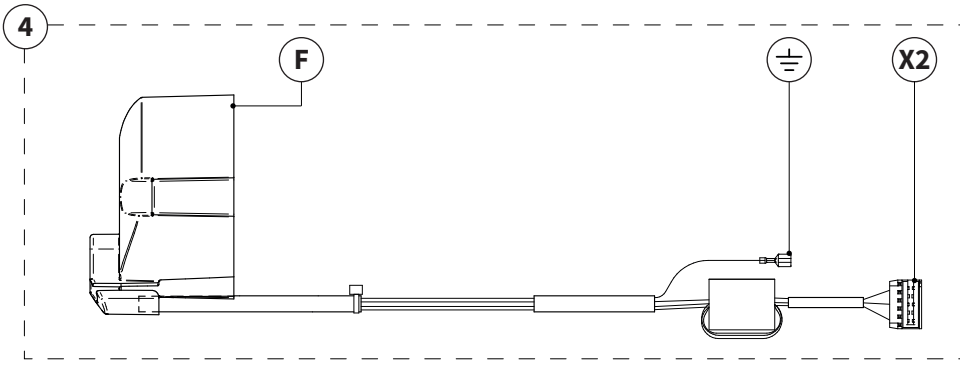


Pos. no.	Art. no.	QTY	Description	Remark	Xtreme 24	Xtreme 30	Xtreme 36	Xclusive 24	Xclusive 30	Xclusive 36
1	362117	2	Plastite 45° screw Ø3.5 x 10		✓	✓	✓	✓	✓	✓
2	500334	1	Cable grommet		✓	✓	✓	✓	✓	✓
3	620194	1	Seal		✓	✓	✓	✓	✓	✓
4	876207	1	Felt ring drain stop		✓	✓	✓	✓	✓	✓
5	866147	1	Drain stop		✓	✓	✓	✓	✓	✓
6	200124	1	Main lead	See also wiring harness page 27	✓	✓	✓	✓	✓	✓
7	205024	1	Connector 3-pole		✓	✓	✓	✓	✓	✓
8	205014	1	Connector 2-pole		✓	✓	✓	✓	✓	✓
9	205004	1	Connector 5-pole		✓	✓	✓	✓	✓	✓
10	490097	1	Cap Ø12,5		✓	✓	✓	✓	✓	✓
11	074104	1	Replacement set burner control		✓	✓	✓	✓	✓	✓
12	260457	1	Nut M16 x 1.5		✓	✓	✓	✓	✓	✓
13	100164	1	Earth connection rail		✓	✓	✓	✓	✓	✓
14	231007	3	Tie-rap		✓	✓	✓	✓	✓	✓
15	500254	1	Burner control/displayholder		✓	✓	✓	✓	✓	✓

X1				Fan/see page 26	✓	✓	✓	✓	✓	✓
X2				CH pump/see page 27	✓	✓	✓	✓	✓	✓
X5				Mains voltage/see page 27	✓	✓	✓	✓	✓	✓
X8				Ignition unit/see page 26	✓	✓	✓	✓	✓	✓
X15				NTC/see page 26	✓	✓	✓	✓	✓	✓

11 WIRING XTREME/XCLUSIVE





Pos. no.	Art. no.	QTY	Description	Remark	Xtreme 24	Xtreme 30	Xtreme 36	Xclusive 24	Xclusive 30	Xclusive 36
1	200074	1	Connection cable ignition unit	Also see page 12 en page 22	✓	✓	✓	✓	✓	✓
2	200034	1	NTC cable harness	Also see page 12 en page 22	✓	✓	✓	✓	✓	✓
3	200014	1	Connection cable fan	Also see page 20 en page 22	✓	✓	✓	✓	✓	✓
4	200064	1	Connection cable CH-pump	Also see page 12 en page 22	✓	✓	✓	✓	✓	✓
5	200154	1	Mains lead	Also see page 22	✓	✓	✓	✓	✓	✓

A				Ignition unit/see page 12	✓	✓	✓	✓	✓	✓
B				Ignition unit/see page 12	✓	✓	✓	✓	✓	✓
C				Connector Heat exchanger/see page 12	✓	✓	✓	✓	✓	✓
D				Connector Pressure sensor CH/see page 12	✓	✓	✓	✓	✓	✓
E				Connector S1 Supply CH/see page 12	✓	✓	✓	✓	✓	✓
F				CH pump/see page 12	✓	✓	✓	✓	✓	✓
G				Connector S3 DHW/see page 16	✓	✓	✓	✓	✓	✓
H				Connector flow sensor/see page 16	✓	✓	✓	✓	✓	✓
J				Connector S5 Flue gas/see page 16	✓	✓	✓	✓	✓	✓
K				Fan/see page 18	✓	✓	✓	✓	✓	✓
L				Connector Gas control/see page 18	✓	✓	✓	✓	✓	✓
M				Connector BMM/see page 22	✓	✓	✓	✓	✓	✓

= connection on earth rail burner control

Intergas Heating Ltd

Unit 2
Easter Park
Worcester Road
Kidderminster
DY11 7AR
Tel: 01527 888000
Fax: 01384 279480
info@intergasheating.co.uk
www.intergasheating.co.uk



2019 Intergas Heating Ltd.

All rights reserved.

The information provided applies to the standard version of the product. Intergas Heating Ltd can therefore not be held liable for any damage ensuing from specifications that deviate from the standard version of the product. Although the available information has been composed with all possible care, Intergas Heating Ltd cannot be held liable for any errors in the information or for the consequences of such.

Intergas Heating Ltd cannot be held liable for damage ensuing from activities that are performed by third parties.

Subject to modifications.



84014400

INTERGAS®