

Rapid 25
Rapid 32



Spare parts manual

January 2016

Content

Content	2
Accessories	3
Pipe cover	4
Connection set (included in the boiler package)	4
Expansion vessel	6
Cover	8
Heat exchanger flue/water sided	10
DHW side / condensate system	12
Gas-air circuit	14
Burner unit (front plate for inbus bolt and lock ring)	16
Burner unit (Front plate for shoulder bolt, from March 2016)	18
Bottom and boiler controller	20
Wiring	22

Accessories

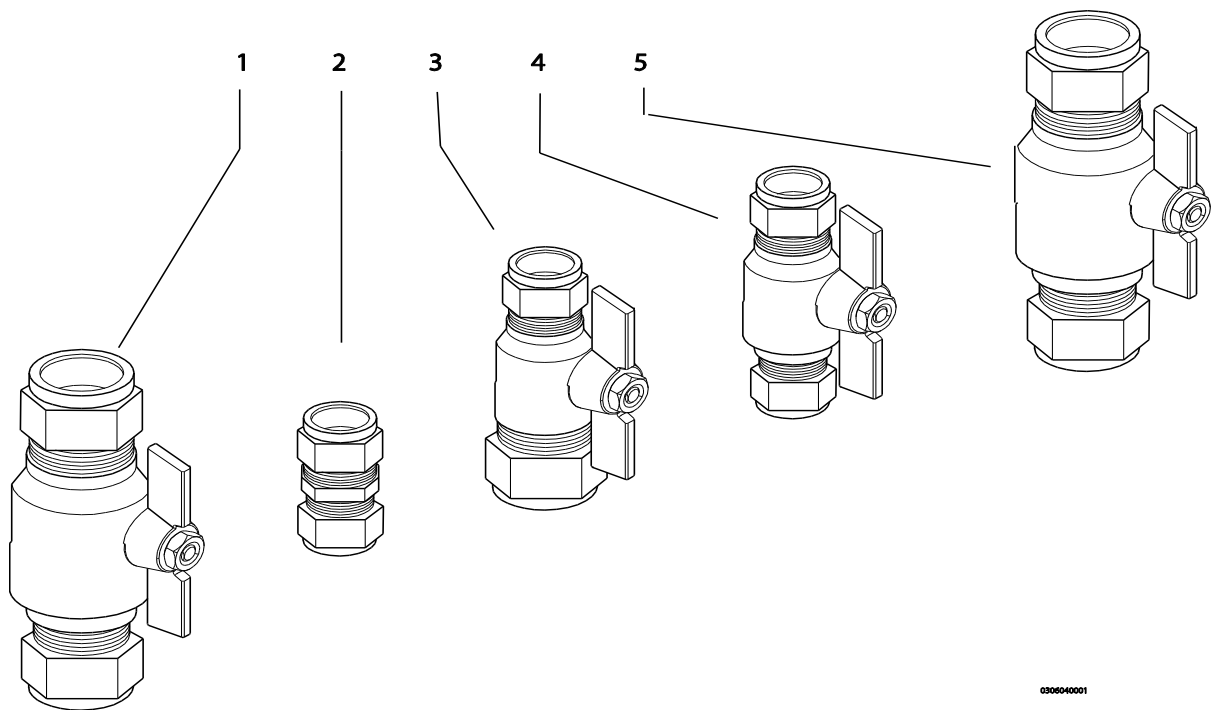
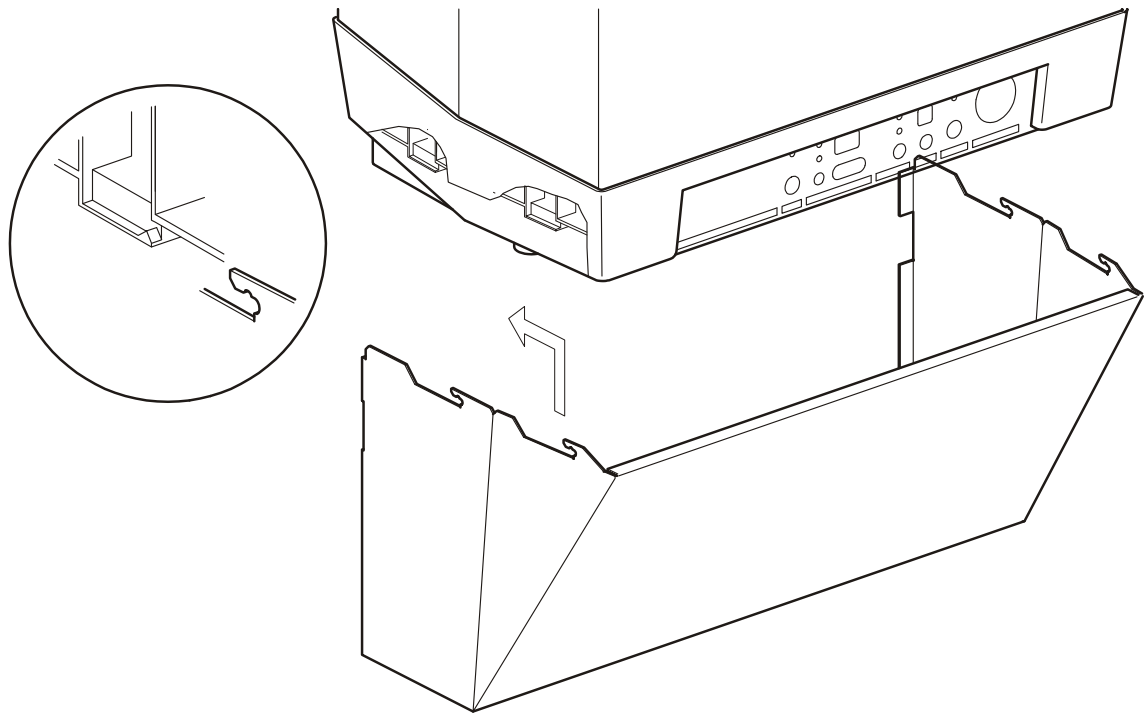
Artikel nr.	Omschrijving	Opmerking	Price
093797	Spacer frame		
090377	Conversion set Solar tank		
076067	Propane conversion set set Rapid 25	 Important: Only to be used for boilers equipped with a fan and an integrated tunnel venturi (see picture page)	
076077	Propane conversion set set Rapid 32	 Important: Only to be used for boilers equipped with a fan and an integrated tunnel venturi (see picture page)	
203207	Outdoor sensor Intergas	NTC 12kOhm	
665007	Return pipe with non return valve included		
092637	2-way valve sett 230V	For under floor heating	
092647	3-way valve set 230V	For W-plan	
065117	Tank sensor	For W-plan	

Pipe cover

<i>Pos.nr.</i>	<i>Artikel nr.</i>	<i>Omschrijving</i>	<i>Opmerking</i>	<i>Price€</i>
	092527	Pipe cover		

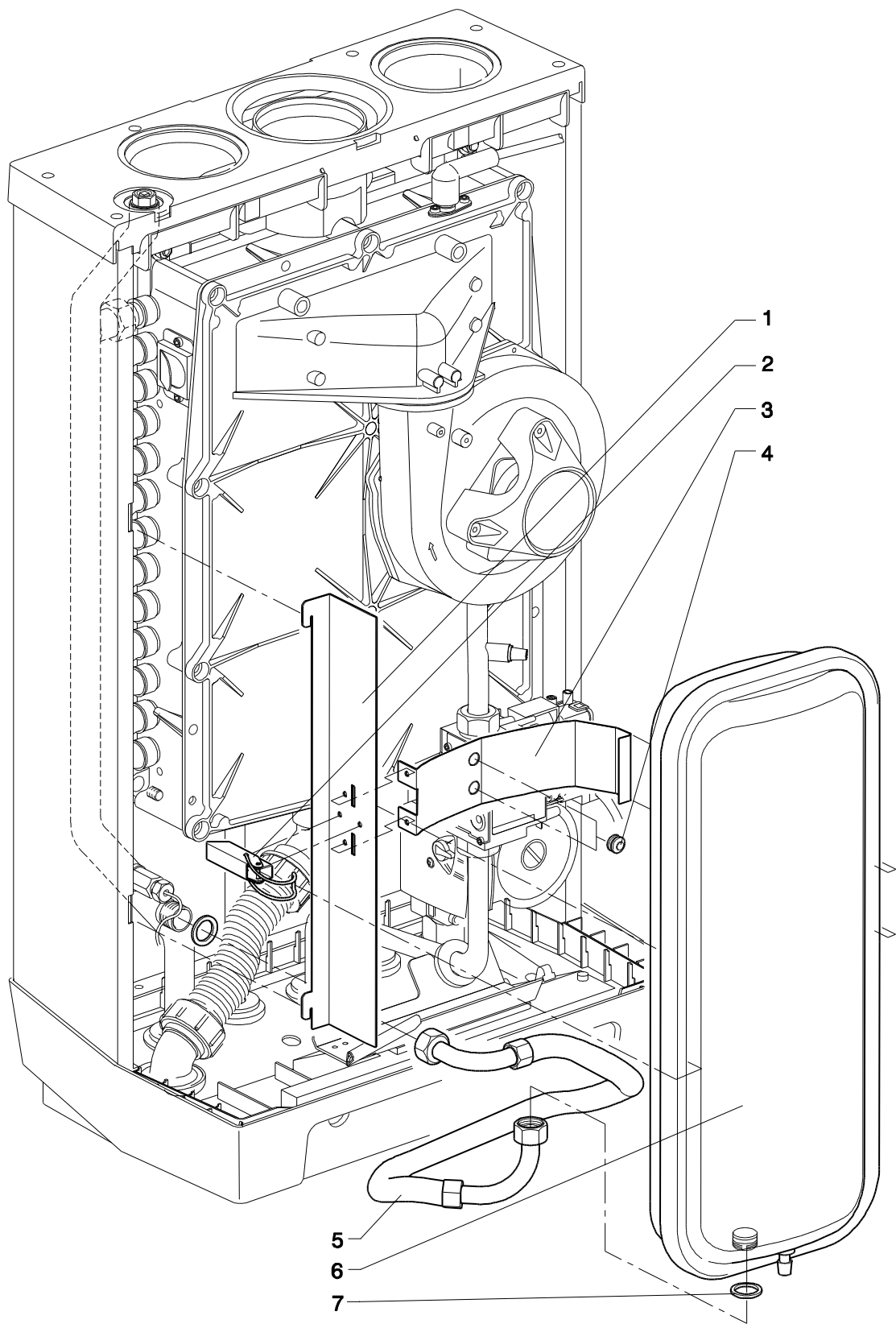
Connection set (included in the boiler package)

<i>Pos.nr.</i>	<i>Artikel nr.</i>	<i>Omschrijving</i>	<i>Opmerking</i>	<i>Price€</i>
1	842537	Ball valve 22*22, red handle		
2	820037	Press connection 15*15		
3	843127	Gas valve 22*15		
4	842547	Ball valve 15*15, blue handle		
5	842557	Ball valve 22*22, blue handle		



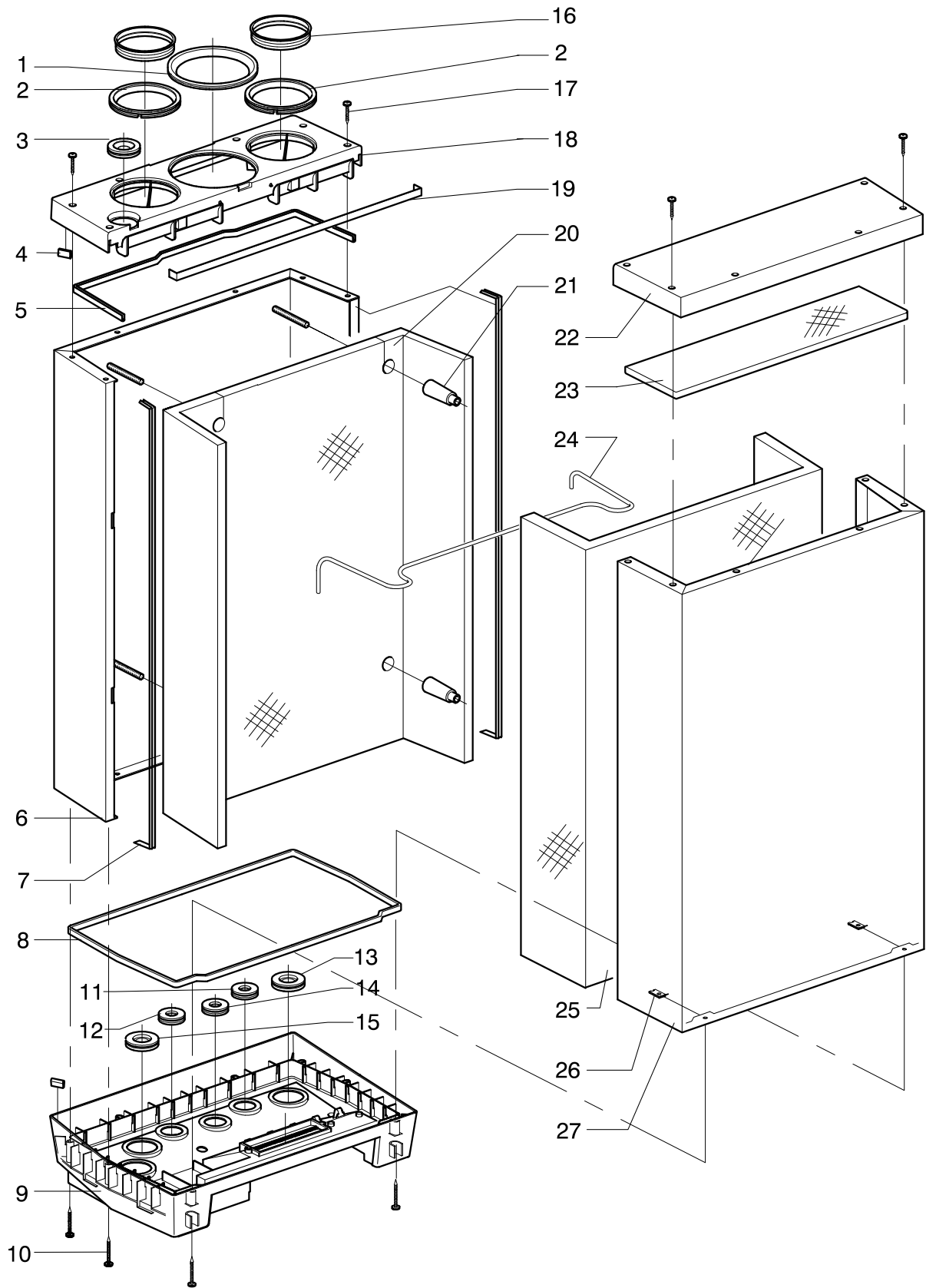
Expansion vessel

Pos.nr.	Article no.	Description	Comment	Price £		Rapid 25	Rapid 32
1	146407	Hinge plate				•	•
2	390147	Clip				•	•
3	146417	Mounting plate exp.vessel				•	•
4	878007	Grommet				•	•
5	859617	Flexibele hose DN10 l=500				•	•
6	864067	Expansion vessel 6 L 3/8"				•	•
7	875847	Seal ring 14 x 9,5 x 1,0				•	•



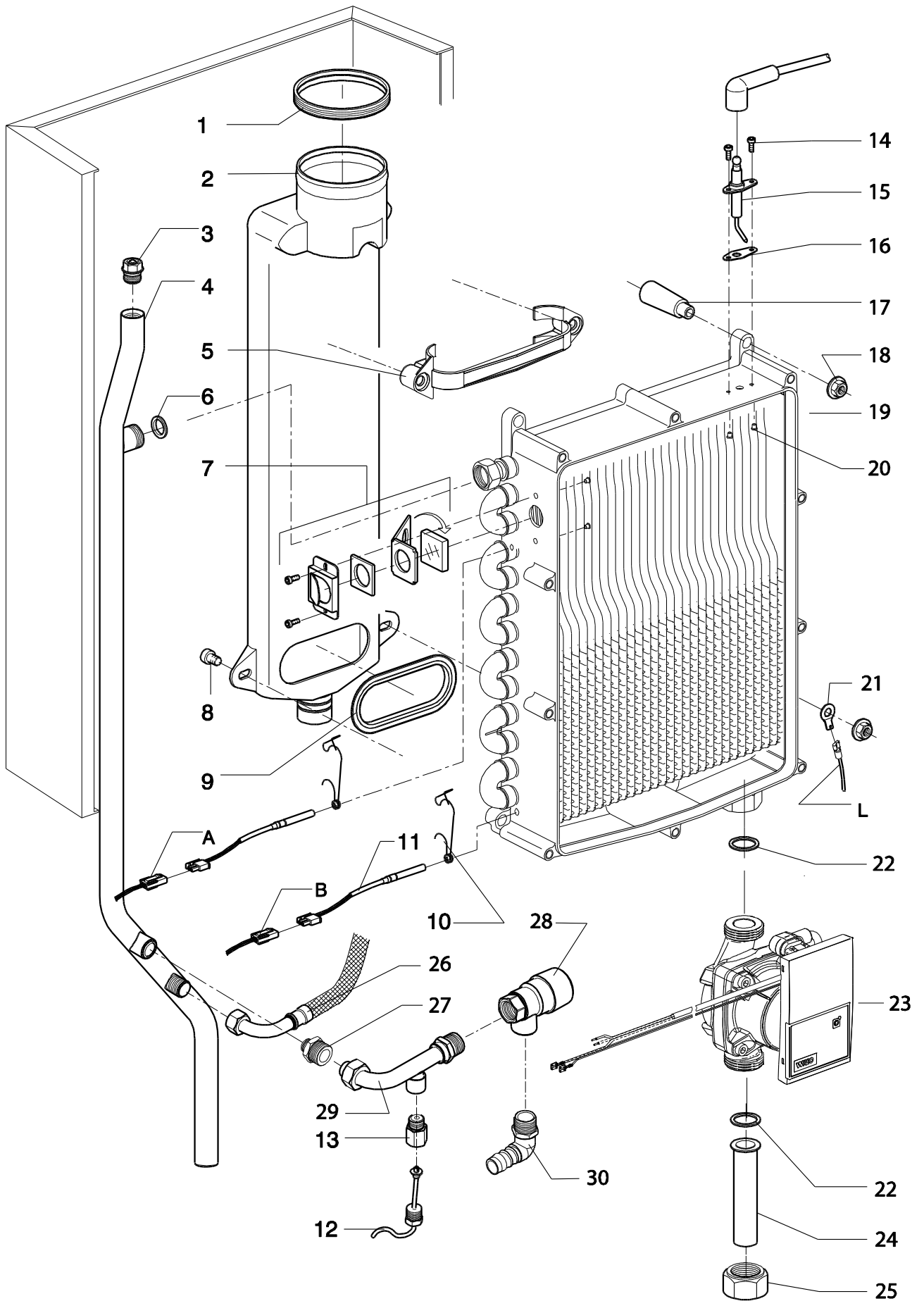
Cover

Pos.nr.	Artikle no.	Article description	Comment	Price		Rapid 25	Rapid 32
1	878367	Seal ring flue gas 116-110				•	•
2	878387	Seal ring air 90-80	2 per boiler			•	•
3	878067	Grommet air release valve				•	•
4	876237	Seal top plate L=21.5	8 per boiler			•	•
5	876187	Seal top plate L=636				•	•
	876927	Isolation top plate (backside)				•	•
6	145568	Back cover small				•	•
	145918	Back cover large				•	•
7	877917	Seal back panel L = 785	2 per boiler			•	•
8	876197	Seal bottom L=1250				•	•
9	845557	Bottom Rapid	White			•	•
	665397	Bottom Rapid complete (incl seals, grommets and pressure gauge)				•	•
10	362097	Securing screw front panel	2 per boiler			•	•
11	878427	Grommet 15mm blue				•	•
	878027	Grommet black (blind)					
12	878417	Grommet 15mm red				•	•
	878027	Grommet black (blind)					
13	878447	Grommet 22mm blue				•	•
	878357	Grommet black (blind)	Mounted in 878447				
14	878407	Grommet 15mm yellow				•	•
15	878437	Grommet 22mm red				•	•
16	490087	Cap air inlet	2 per boiler			•	•
17	362107	Screw 4.2x25	12 per boiler			•	•
18	845567	Top plate backside	White			•	•
	665387	Top plate backside complete				•	•
19	879167	Seal				•	•
20	876577	Isolation back panel				•	•
21	878397	Spacer	4 per boiler			•	•
22	845577	Top plate frontside	white			•	•
23	876637	Isolation top plate front				•	•
24	873487	Clip isolation frontpanel.	3 per boiler			•	•
25	876937	Isolation frontpanel				•	•
26	390077	Speednut 4.2	2 per boiler			•	•
27	145928	Frontpanel				•	•



Heat exchanger flue/water sided

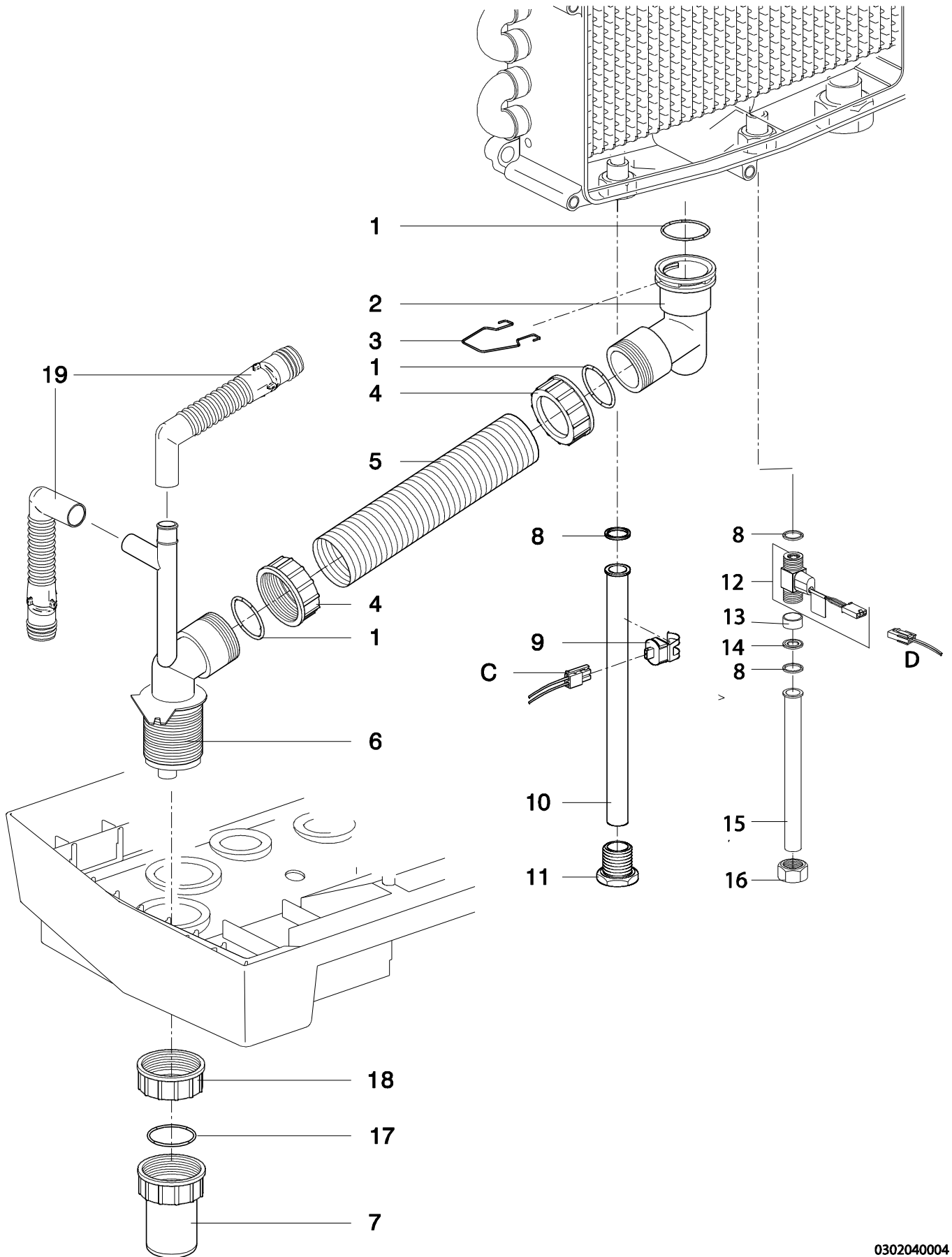
Pos.nr.	Article no.	Description	Comment	Price £		Rapid 25	Rapid 32
1	878177	Seal ring 80 mm				•	•
2	665277	Flue gas pipe				•	•
3	843017	Air release valve 3/8 "G				•	•
4	855257	Flow pipe				•	•
5	845437	Fixing plate flue gas pipe				•	•
6	875517	Seal ring 3/4" (bonded seal)				•	•
7	081097	Inspection glass set				•	•
	305087	Inbus bolt M4x8	2 per kijkglas			•	•
	145637	Inspection glass holder				•	•
	146147	Filler plate				•	•
	876687	Seal				•	•
	874097	Inspection glass				•	•
8	305117	Inbus bolt M8x12	2 per boiler			•	•
9	877817	Seal flue gas pipe				•	•
10	873337	Clip NTC 1 and NTC 2	2 per boiler			•	•
11	200117	NTC 1 - 2	2 per boiler			•	•
12	864037	Pressure gauge				•	•
13	864047	Water lock pressure gauge				•	•
14	305137	Inbus bolt M4x10	2 per ontsteekpen			•	•
15	209327	Ignition pin				•	•
16	875677	Seal igniton pin				•	•
17	878397	Spaver	4 per boiler			•	•
18	313047	Nut M8	4 per boiler			•	•
19	147327	Heat exchanger				•	•
20	319047	Insert M4	4 per boiler			•	•
21	231107	Earth clip				•	•
22	875567	Seal pump 1"	2 per boiler			•	•
23	210337	Pump Yonos Para RS15-7				•	•
24	854177	Return pipe				•	•
	665007	Return pipe with non return valve included				•	•
25	260367	Pump nut				•	•
26	859617	Flexible hose DN 10, L=500				•	•
27	825127	Reducer nipple 1/2*1/4"				•	•
28	844097	Pressure relieve valve 3 bar				•	•
29	855377	PRV connection pipe				•	•
30	844107	Plastic elbow 3/4: * 16				•	•
A B L			See wiring page.22 and 23			•	•



0302040005

DHW side / condensate system

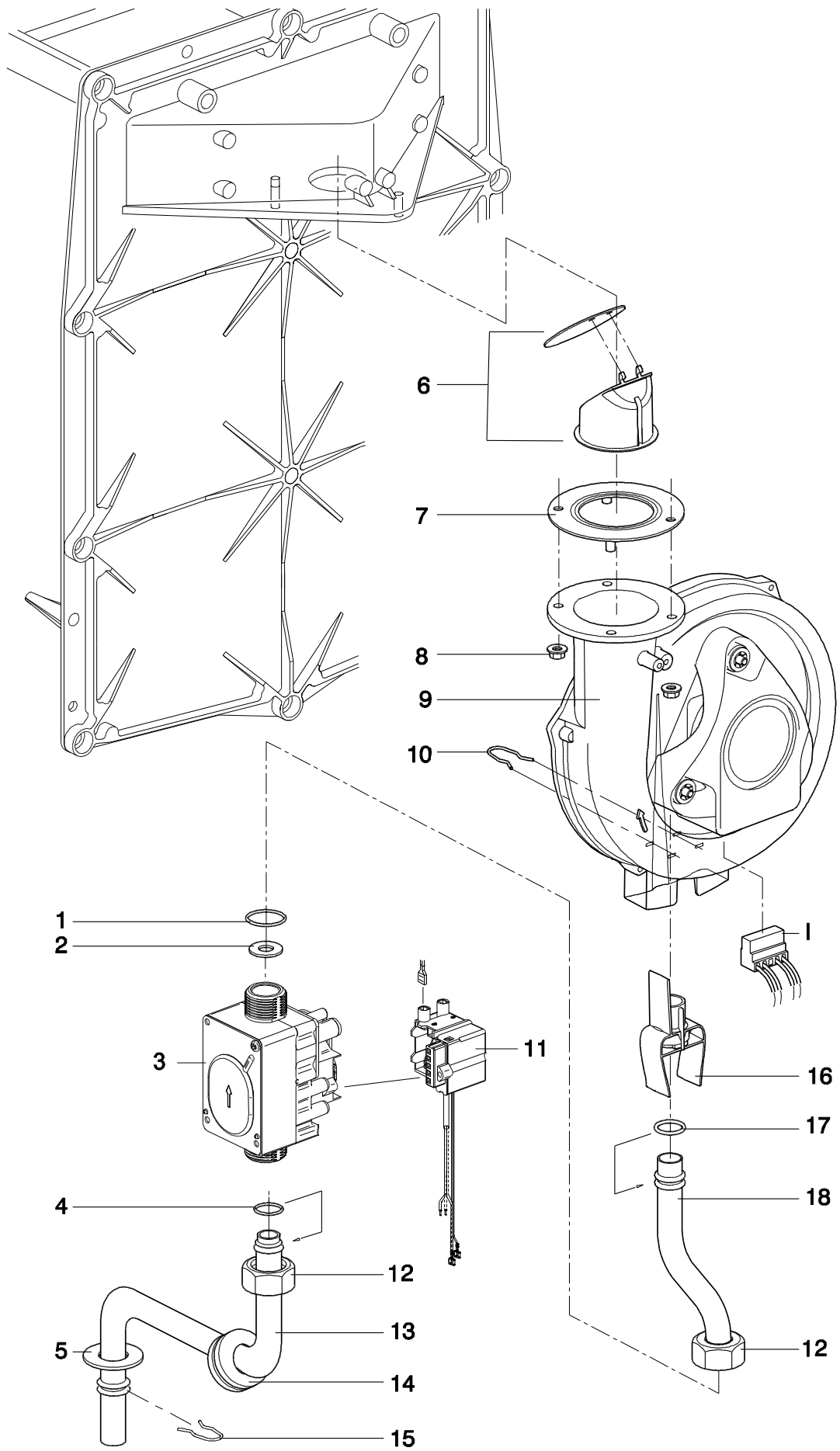
Pos.nr.	Article no.	Description	Comment	Price £		Rapid 25	Rapid 32
1	875637	O-Ring 28 , 25x2.62	3 per boiler			•	•
2	844507	Connection condensate system - flue pipe				•	•
3	873407	Clip				•	•
4	844527	Coupling nut condensate system	3 per boiler			•	•
5	594137	Corrugated hose condensate system				•	•
6	845587	Connection condensate system bottom side				•	•
7	845597	Condensate cup				•	•
8	875927	Searl ring VITON black (WRAS approved)	3 per boiler			•	•
9	200177	NTC 3				•	•
10	856347	Hot water pipe)				•	•
11	825077	Coupling nut 1/2"				•	•
12	844797	Flow sensor				•	•
13	845127	Filling ring flow sensor				•	•
14	829287	Flow restrictor replacement ring				•	•
15	854927	Cold water pipe				•	•
16	826047	Coupling nut 1/2"				•	•
17	873997	O-ring 35,1*1,6				•	•
18	845607	Coupling nut condensate bottom side				•	•
19	845617	Connection hose condensate				•	•
C D			See wiring page.22 and 23			•	•



0302040004

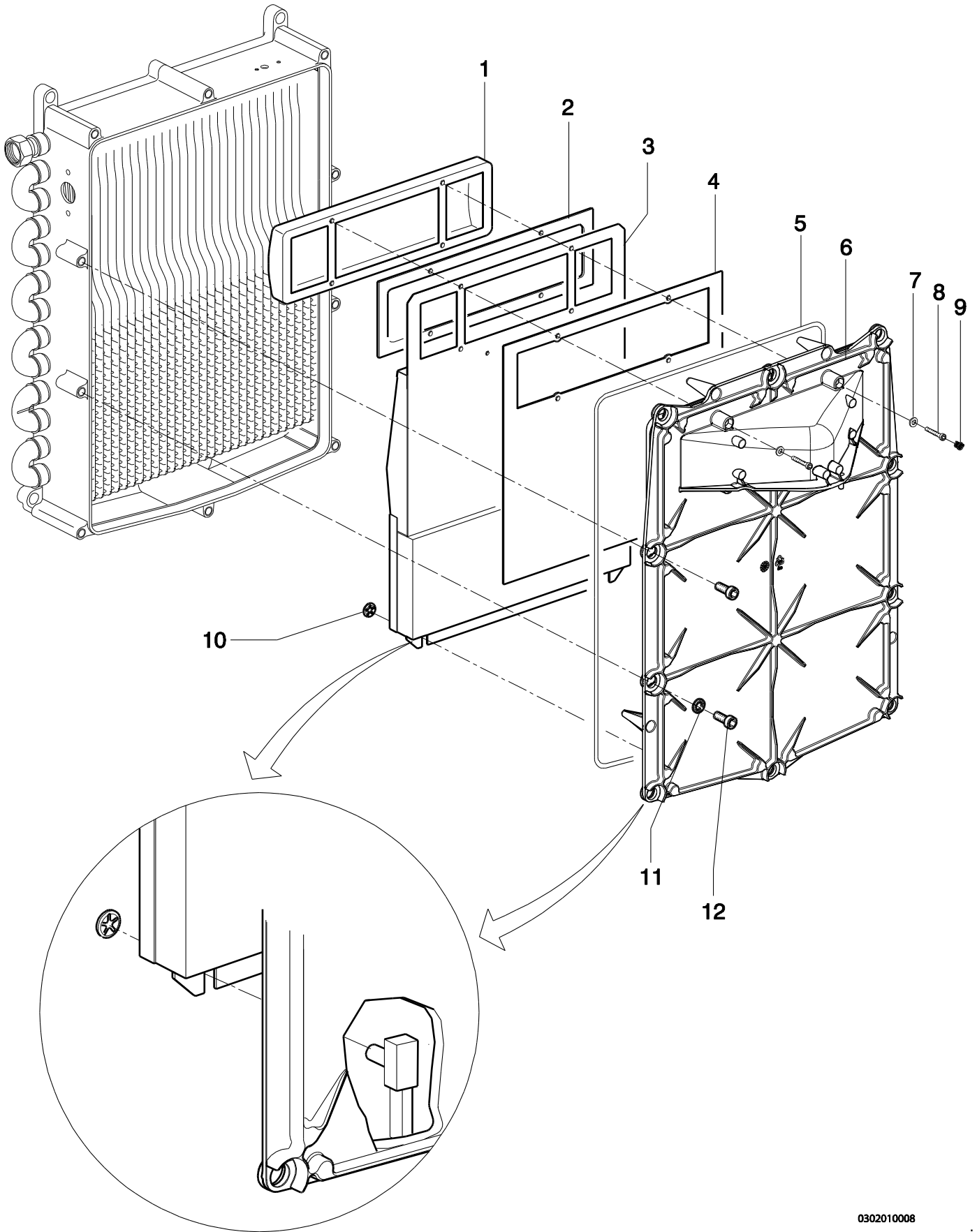
Gas-air circuit

Pos.nr.	Article no.	Description	Comment	Price £		Rapid 25	Rapid 32
1	875827	O-ring 19 x 2				•	•
2		Conversion set G 20	Gas ring 600			•	
		Conversion set G 20	Gas ring 655				•
	076067	Conversion set G 31	Gas ring 480			•	
	076077	Conversion set G 31	Gas ring 525				•
3	801527	Gas valve Siemens Smart VGU 76 S				•	•
4	875757	Seal ring 21.5/15.5				•	•
5	146397	Fixing ring 20x37x0,9				•	•
6	090417	Flue gas non return valve	incl pos 7 and 8			•	•
7	877807	Seal ring fan				•	•
8	312027	Flange nut M5	2 per boiler			•	•
9	074507	Fan Torin with tunnelventuri				•	•
10	873027	Clip	2 per boiler			•	•
11	801537	Igniton module Siemens TQG 43	t.b.v. Siemens gasblok VGU 76 S			•	•
12	826067	Coupling nut ¾ ø19	2 per boiler			•	•
13	854477	Gas supply pipe L= 75 mm				•	•
14	878507	Grommet 15 mm black	Only in combination with pos. 15			•	•
15	873027	Clip	2 per boiler			•	•
16	829547	Gas-air module 406				•	
	829527	Gas-air module 362					•
17	875737	O-ring 15x2 nbr 70sh				•	•
18	854707	Gas mix pipe L=146,5m				•	•
I			See wiring page.22 and 23				•



Burner unit (front plate for inbus bolt and lock ring)

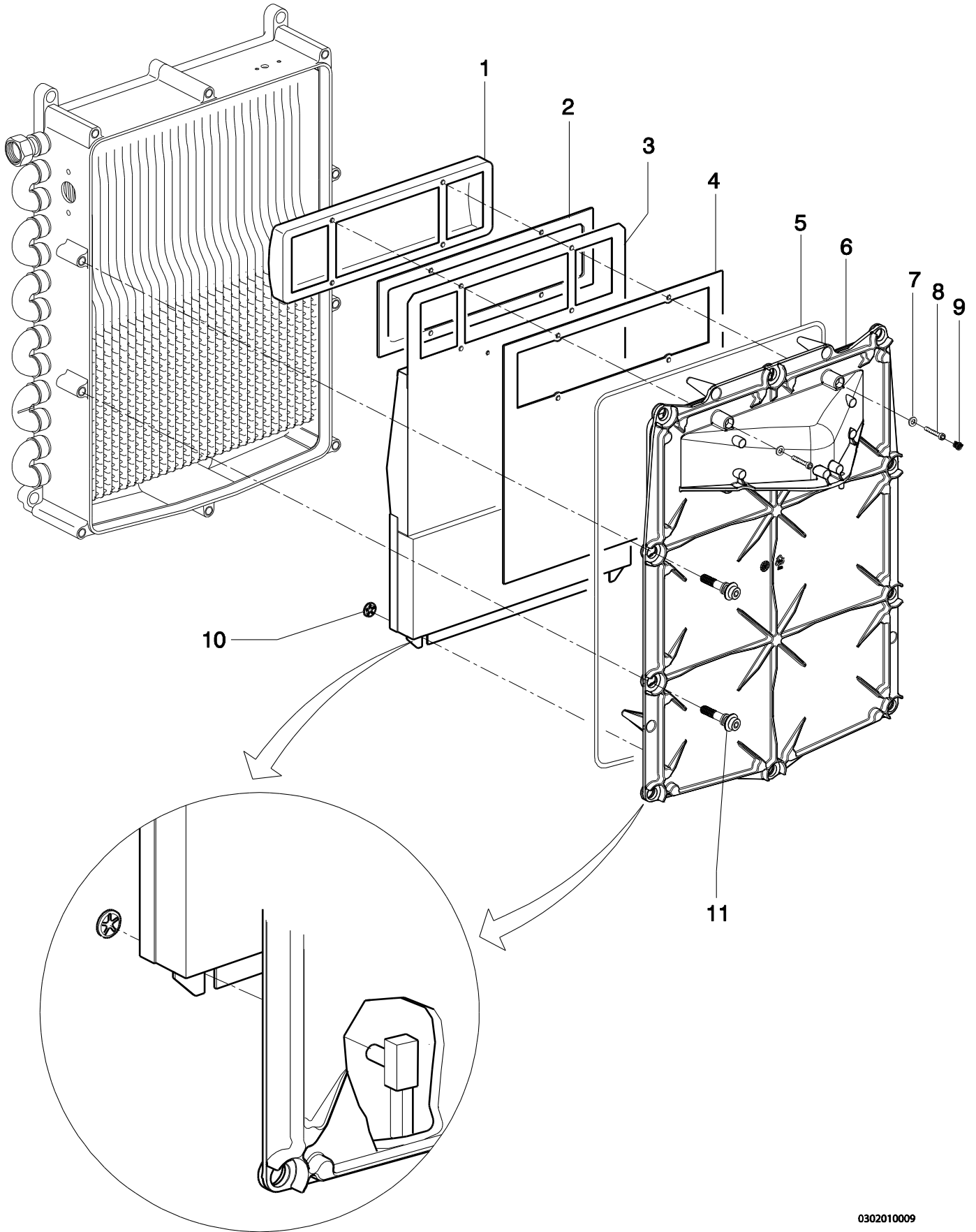
Pos.nr.	Article no.	Description	Comment	Price £		Rapid 25	Rapid 32
1	800327	Burner KNIT				•	•
2	877847	Burner seal				•	•
3	909427	Isolation package				•	•
4	876607	Isolation front plate				•	•
5	876597	Seal front plate				•	•
6	859767	Front plate				•	•
7	875917	O-ring 6.0x1.5 silicone	4 per boiler			•	•
8	362217	Plate screw 4.2 * 25, T20	4 per boiler			•	•
9	873577	Earth clip				•	•
10	390087	Starlock 4mm	2 per boiler			•	•
11	334007	Lock ring M8	10 per boiler			•	•
12	305027	Inbusbout M8x40 incl dri-loc	10 per boiler			•	•



0302010008

Burner unit (Front plate for shoulder bolt, from March 2016)

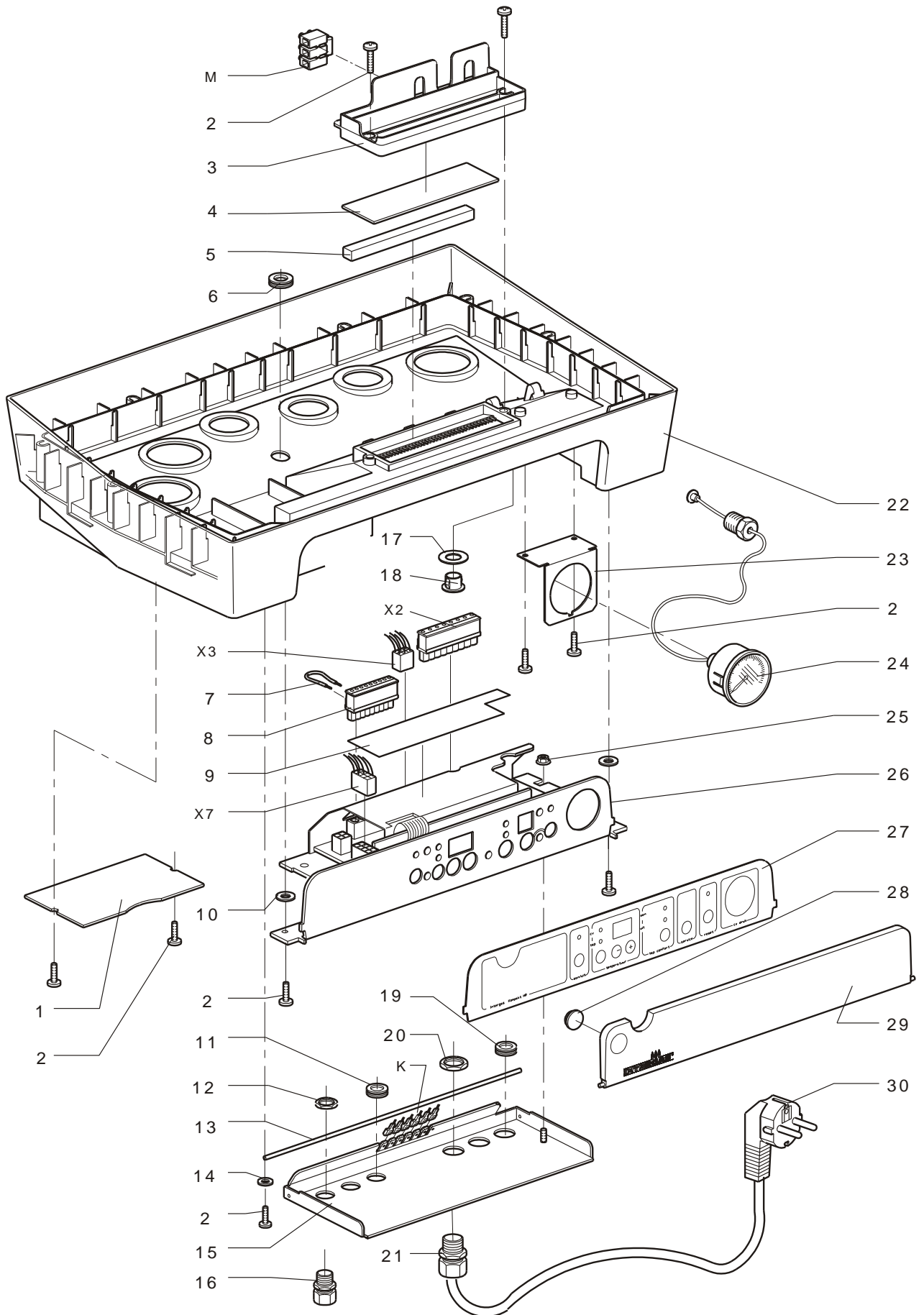
Pos.nr.	Article no.	Description	Comment	Price £			Rapid 25	Rapid 32
1	800327	Burner KNIT						•
2	877847	Burner seal						•
3	909427	Isolation package						•
4	876607	Isolation front plate						•
5	876597	Seal front plate						•
6	081287	Replacement set front plate	Incl. pos. 2, 3, 4, 5, 7, 8, 9, 11 and 12					•
7	875917	O-ring 6.0x1.5 silicone	4 per boiler					•
8	362217	Plate screw 4.2 * 25, T20	4 per boiler					•
9	873577	Earth clip						•
10	390087	Starlock 4 mm	2 per boiler					•
11	305157	Shoulder bolt inbus	10 per boiler					•



0302010009

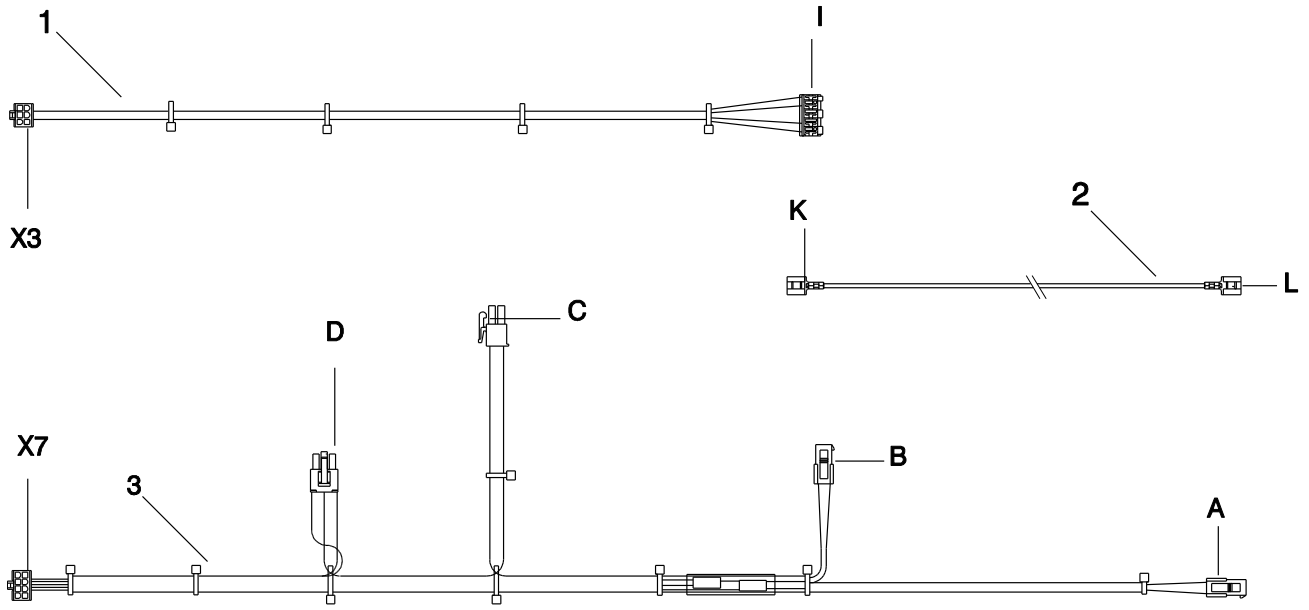
Bottom and boiler controller

Pos.nr.	Article no.	Description	Comment	Price £		Rapid 25	Rapid 32
1	145538	Cover plate				•	•
2	362117	Screw plastite 3.5*10	10 per boiler			•	•
3	844967	Cover plate cable transfer				•	•
4	876217	Seal cover cable transfer				•	•
5	876227	Seal cable transfer				•	•
6	878467	Grommet blind				•	•
7	230687	Wire link yellow				•	•
8	260427	Connector 9 pole 5mm 24V				•	•
9	888127	Sticker (wiring)				•	•
10	320057	Plastic ring M2,5	2 per boiler			•	•
11	878467	Grommet blind	2 per boiler			•	•
12	260437	Nut M12				•	•
13	872097	Hinge pin L=237				•	•
14	321007	Ring M4	2 per boiler			•	•
15	146327	Transfer plate				•	•
16	260447	Cable support M12				•	•
17	876207	Vilt ring drain plug				•	•
18	866147	Drain plug				•	•
19	878347	Grommet blind 15mm	4 per boiler			•	•
20	260467	Cable support M16				•	•
21	260457	Coupling nut16				•	•
22	844707	Bottom metallic				•	•
23	145557	Mounting plate pressure gauge				•	•
24	864137	Pressure gauge				•	•
25	312027	Flange nut M5				•	•
26	074857	Boiler controller Kompakt				•	•
27	889557	Sticker display Rapid 25				•	
	889567	Sticker display Rapid 32					•
28	872117	Display cover magnet				•	•
29	843847	Display cover Rapid				•	•
30	220977	Power supply cable incl. plug				•	•
31	240307	Fuse 3,15 A-T	For IC3 boiler controller			•	•
K M X2 X3 X7			See wiring page.22 and 23			•	•



Wiring

Pos.nr.	Article no.	Description	Comment	Price £		Rapid 25	Rapod 32
1	221727	Fan cable				•	•
2	221437	Earth cable				•	•
3	221877	NTC cable Kombi				•	•



Intergas Heating Ltd.

Building 94
Bay 1 Vantage Point
The Pensnett Estate
Kingswinford
DY6 7FS
Tel. 01527 - 888000
Fax 01384 - 279480
info@intergasheating.co.uk