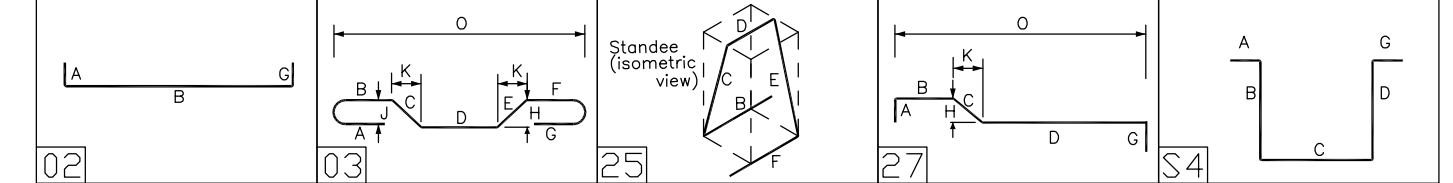


MAT FOUNDATION REINF. DETAIL
SCALE = 1/4" = 1'-0"
REF SHEETS : FO - 101.01

Release Code: R1		BENDING DETAILS.													
Bar Mark	Qty	Size	Total length	Type	A'	B'	C'	D'	E'	F'	G'	H'	J'	K'	L'
4A01	170	#4	54' 25"				16'	0' 00"	0' 00"	0' 00"	16'				
6A02	69	#6	93' 54"		10'	33'	33'	11'						09' 6"	07' 6"
6A03	69	#6	40' 13"				30'	10'							37' 6"
6A04	69	#6	13' 10" 54"		10'	56'	62'	12'						09' 6"	07' 6"
6A05	69	#6	40' 13"				30'	10'							37' 6"
6A06	60	#6	20' 12"		10'	19'									
6A07	60	#6	40' 13"		10'	63'									
7A03	69	#7	81' 12"		30'	35'	11' 6"			07'	29'			20' 6"	62' 6"
7A04	69	#7	10' 10" 27"		20'	67' 6"	11'			12'	50'			44'	75' 6"
7A05	57	#7	20' 12"		12'	18' 0"									
7A06	57	#7	75' 12"		12'	63'									



NOTES:-

- TYPICAL CLEARANCES
A). FOR MAT BOTTOM - 3"
B). FOR MAT TOP - 2"
C). FOR MAT SIDES - 3"
- A/E/C PLEASE VERIFY THE ALL CLOUDED ITEMS
- CUT TO FIT AT SITE AS REQUIRED
- BARs TO BE PLACED AT EQUAL SPACING U.O.N.
- TILT HOOK TO ACCOMMODATE THE COVER, IF NEED

LEGENDS

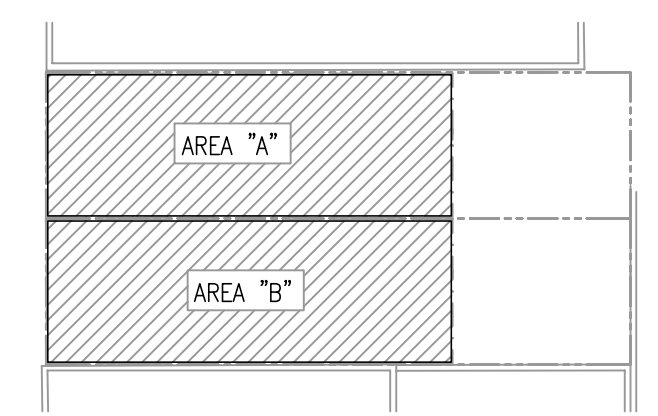
T/TOP - TOP LAYER
B/BOT - BOTTOM LAYER
SW - SHORT WAY
LW - LONG WAY
EL - ELEVATION
TYP - TYPICAL
ES - EACH SIDE
EE - EACH END
EF - EACH FACE
T.O.S - TOP OF SLAB
T.O.F - TOP OF FOOTING
D/V - DOWEL/VERTICAL
DWLS - DOWELS
V/VERT - VERTICAL
H/HORIZ - HORIZONTAL

Lap Schedule for 4000 PSI (Class B)

Size	Top bars	Other bars
#3	24"	18"
#4	32"	25"
#5	40"	31"
#6	60"	46"
#7	70"	54"
#8	80"	62"
#9	91"	70"
#10	102"	79"
#11	142"	109"

REFERENCE DRAWINGS

FOR MAT FOUNDATION REINF. DETAIL REFER DRAWING # R1
FOR FOUNDATION WALL ELEVATION MARK & REINF. DETAIL REFER DRAWING # R2
FOR FOUNDATION WALL A THRU G ELEVATION REINF. REFER DRAWING # R3
FOR SECTION DETAILS REFER DRAWING # R4



KEY PLAN
SCALE = 1/4" = 1'-0"
REF SHEETS : FO - 101.01

FOR APPROVAL

The full intent and purpose of this drawing is the placing and fabrication of reinforcing steel bars ONLY. It is NOT to be used as a means of communication between the Architect, Engineer, Contractor or any other Sub-trade.

Reinforcing steel placing drawings only. Use in conjunction with contract drawings & specifications. Elevations & dimensions shown on this drawing are for detailing purposes only and should not be used for construction unless verified by engineer or contractor.

BAR SIZE CONVERSION IMPERIAL / SOFT METRIC			
#2 / #6	#6 / #19	#10 / #32	
#3 / #10	#7 / #22	#11 / #36	
#4 / #13	#8 / #25	#14 / #43	
#5 / #16	#9 / #29	#18 / #57	

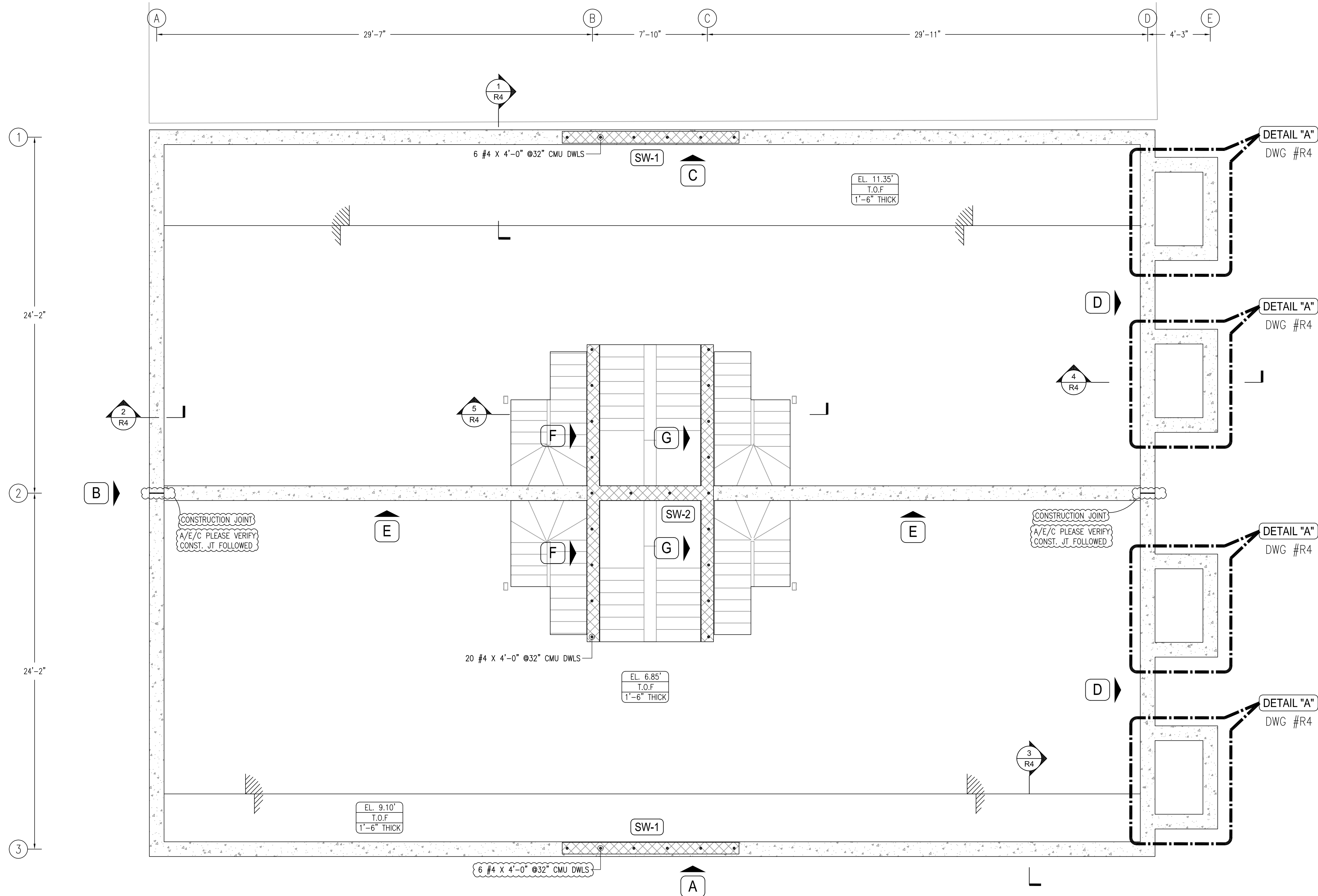
LOCATION: BROOKLYN, NY 11211
ARCHITECT: -
ENGINEER: TAL AZULAY
CUSTOMER: ----
DRAWN BY: FC

FABRICATORS CLINIC LLC
EMAIL : office@fabricatorsclinic.com
Phone : (307) 249-8557

REV	REVISIONS	DATE	BY
4			
3			
2			
1			
0	FOR APPROVAL	05.09.2022	FC

PROJECT: 368 LEONARD
TITLE OF DRAWING: MAT FOUNDATION REINFORCING DETAILS

PROJECT NO.: 22-01
DRAWING NO.: R1



NOTES:-

- TYPICAL CLEARANCES
 A). FOR MAT BOTTOM - 3"
 B). FOR MAT TOP - 2"
 C). FOR MAT SIDES - 3"
- A/E/C PLEASE VERIFY THE ALL CLOUDED ITEMS
- CUT TO FIT AT SITE AS REQUIRED
- BARs TO BE PLACED AT EQUAL SPACING U.O.N.
- TILT HOOK TO ACCOMMODATE THE COVER, IF NEED

LEGENDS

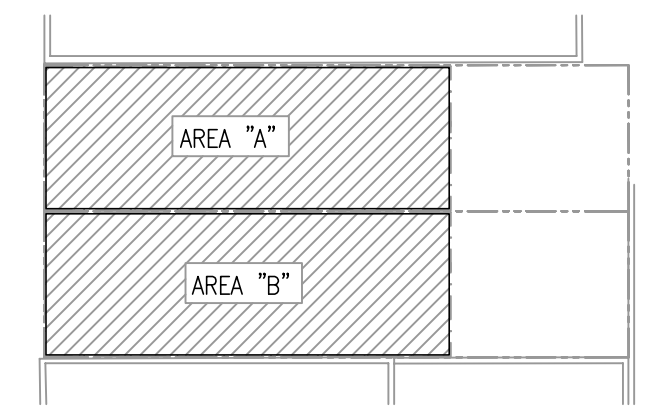
T/TOP - TOP LAYER
 B/BOT - BOTTOM LAYER
 SW - SHORT WAY
 LW - LONG WAY
 EL - ELEVATION
 TYP - TYPICAL
 ES - EACH SIDE
 EE - EACH END
 EF - EACH FACE
 T.O.S - TOP OF SLAB
 T.O.F - TOP OF FOOTING
 D/V - DOWEL/VERTICAL
 DWLS - DOWELS
 V/VERT - VERTICAL
 H/HORIZ - HORIZONTAL

Lap Schedule for 4000 PSI (Class B)

Size	Top bars	Other bars
#3	24"	18"
#4	32"	25"
#5	40"	31"
#6	60"	46"
#7	70"	54"
#8	80"	62"
#9	91"	70"
#10	102"	79"
#11	142"	109"

REFERENCE DRAWINGS

FOR MAT FOUNDATION REINF. DETAIL REFER DRAWING # R1
 FOR FOUNDATION WALL ELEVATION MARK & REINF. DETAIL REFER DRAWING # R2
 FOR FOUNDATION WALL A THRU G ELEVATION REINF. REFER DRAWING # R3
 FOR SECTION DETAILS REFER DRAWING # R4



FOUNDATION WALL ELEVATION MARK & REINF. DETAIL
 SCALE = 1/4" = 1'-0"
 REF SHEETS : FO - 101.01

KEY PLAN
 SCALE = 1/4" = 1'-0"
 REF SHEETS : FO - 101.01

FOR APPROVAL

The full intent and purpose of this drawing is the placing and fabrication of reinforcing steel bars ONLY. It is NOT to be used as a means of communication between the Architect, Engineer, Contractor or any other Sub-trade.

Reinforcing steel placing drawings only. Use in conjunction with contract drawings & specifications. Elevations & dimensions shown on this drawing are for detailing purposes only and should not be used for construction unless verified by engineer or contractor.

BAR SIZE CONVERSION
 IMPERIAL / SOFT METRIC

#2 / #6	#6 / #19	#10 / #32
#3 / #10	#7 / #22	#11 / #36
#4 / #13	#8 / #25	#14 / #43
#5 / #16	#9 / #29	#18 / #57

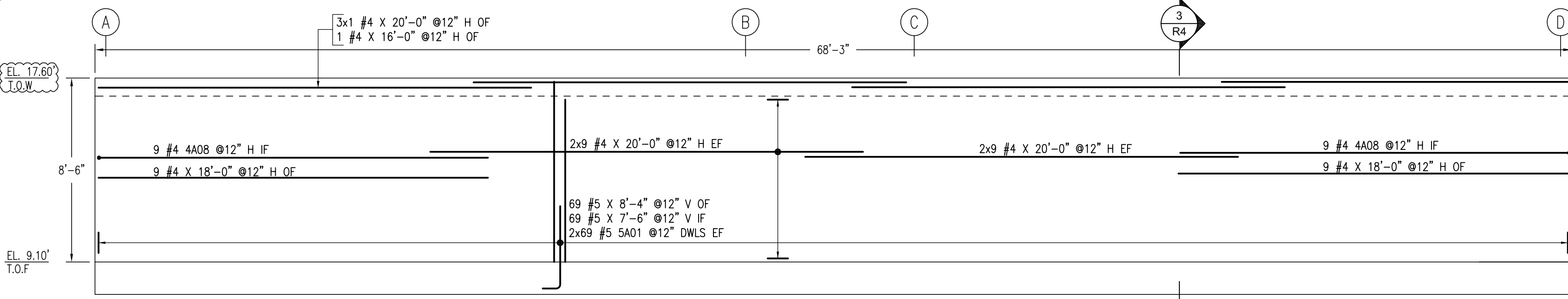
LOCATION: BROOKLYN, NY 11211
 ARCHITECT: -
 ENGINEER: TAL AZULAY
 CUSTOMER: -----
 DRAWN BY: FC

FABRICATORS CLINIC LLC
 EMAIL : office@fabricatorsclinic.com
 Phone : (307) 249-8557

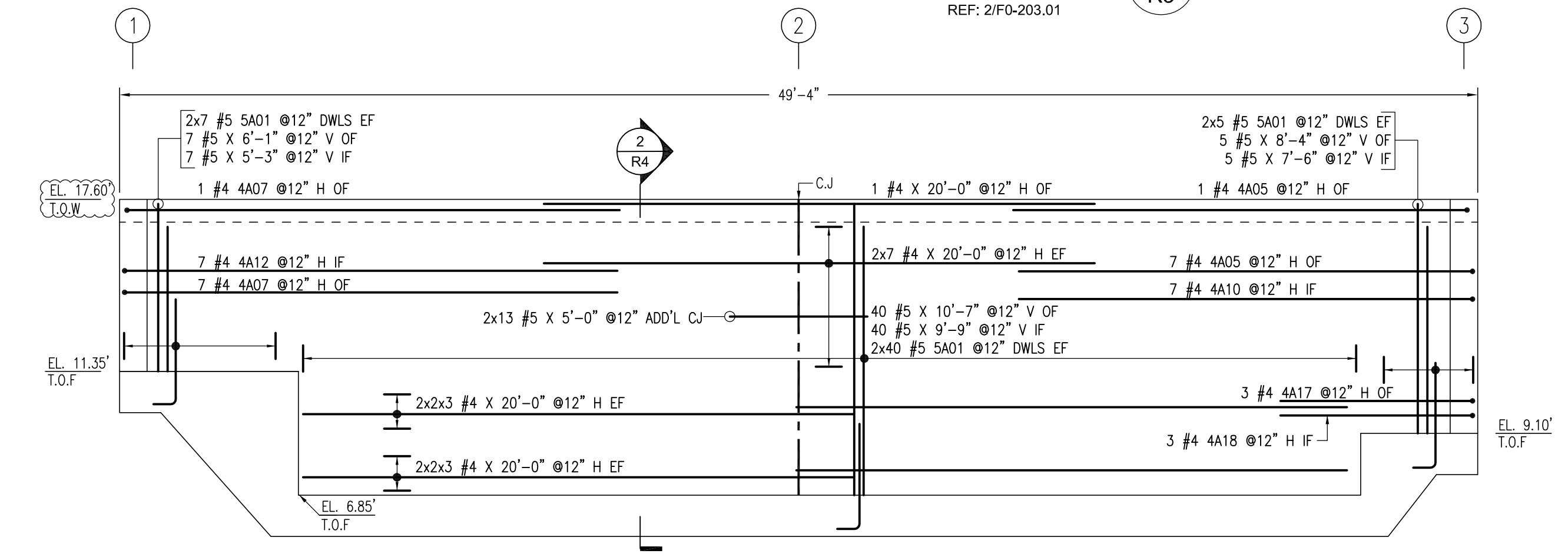
REV	REVISIONS	DATE	BY
4			
3			
2			
1			
0	FOR APPROVAL	05.09.2022	FC

PROJECT: 368 LEONARD
 TITLE OF DRAWING: FOUNDATION WALL REINFORCING DETAILS

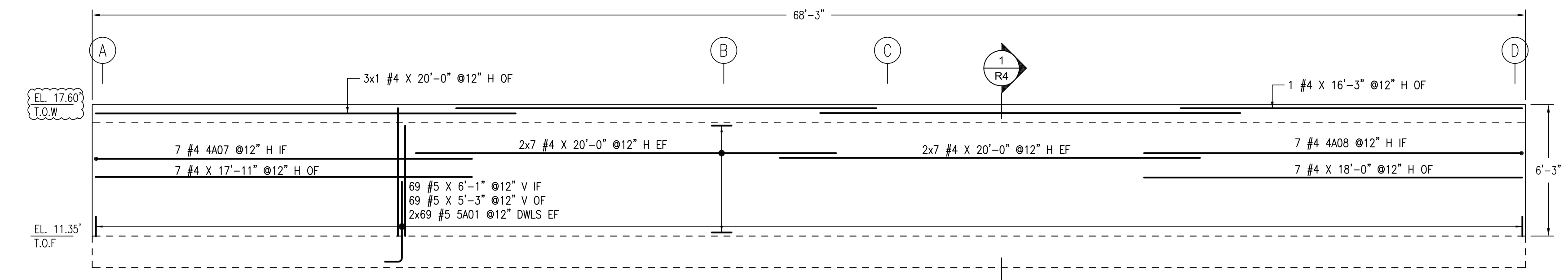
PROJECT NO.: 22-01
 DRAWING NO.: R2



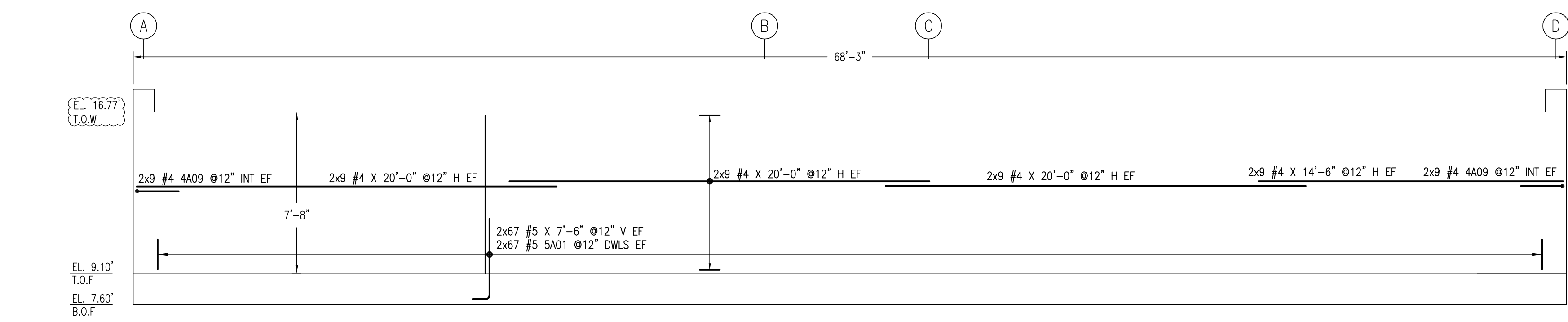
ELEVATION A
SCALE = 1/2" = 1'-0"
REF: 2/F0-203.01



ELEVATION B
SCALE = 1/2" = 1'-0"
REF: 2/F0-203.01



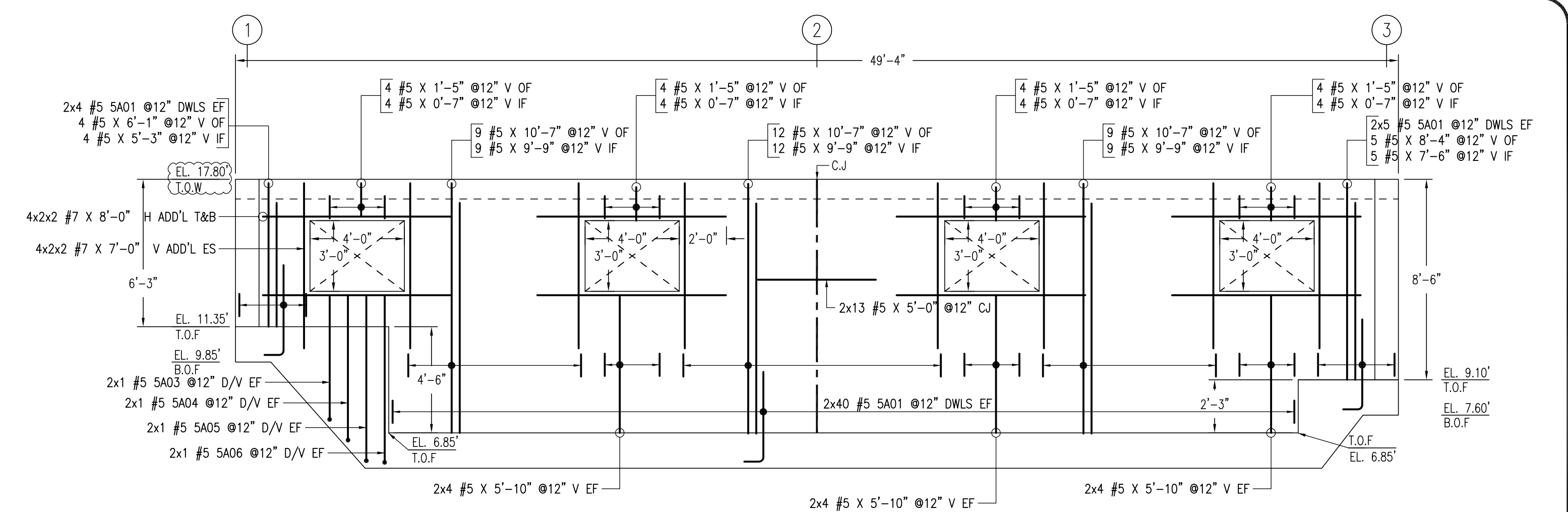
ELEVATION C
SCALE = 1/2" = 1'-0"
REF: 2/F0-203.01



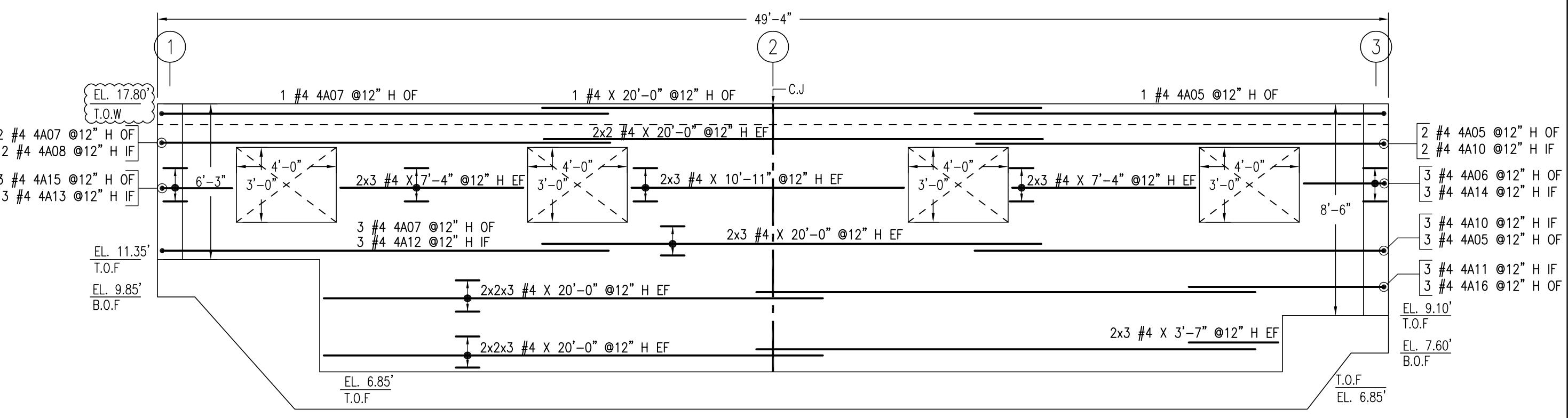
ELEVATION E
SCALE = 1/2" = 1'-0"
REF: 2/F0-203.01

NOTES:-

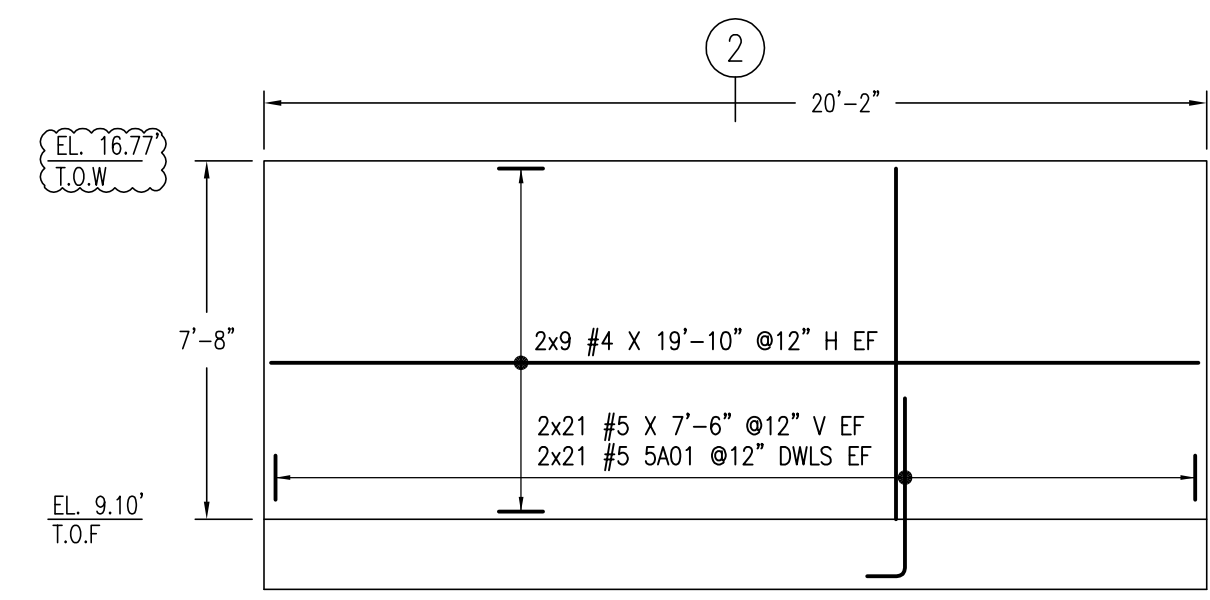
- TYPICAL CLEARANCES
A). FOR MAT BOTTOM - 3"
B). FOR MAT TOP - 2"
C). FOR MAT SIDES - 3"
- A/E/C PLEASE VERIFY THE ALL CLOUDED ITEMS**
- CUT TO FIT AT SITE AS REQUIRED
- BARs TO BE PLACED AT EQUAL SPACING U.O.N.
- TILT HOOK TO ACCOMMODATE THE COVER, IF NEED



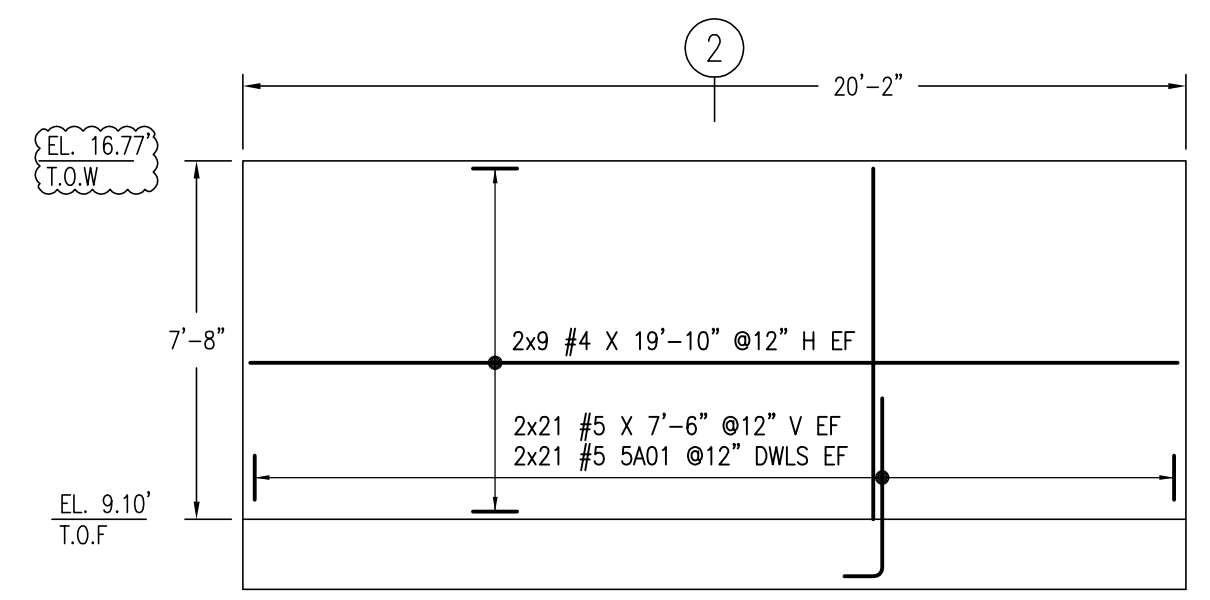
WALL VERTICAL & ADD'L REINF. ONLY
ELEVATION D
SCALE = 1/2" = 1'-0"
REF: 2/F0-203.01



WALL HORIZONTAL REINF. ONLY
ELEVATION D
SCALE = 1/2" = 1'-0"
REF: 2/F0-203.01



ELEVATION F
SCALE = 1/2" = 1'-0"
REF: 2/F0-203.01



ELEVATION G
SCALE = 1/2" = 1'-0"
REF: 2/F0-203.01

LEGENDS

T/TOP - TOP LAYER
B/BOT - BOTTOM LAYER
SW - SHORT WAY
LW - LONG WAY
EL - ELEVATION
TYP - TYPICAL
ES - EACH SIDE
EE - EACH END
EF - EACH FACE
T.O.S - TOP OF SLAB
T.O.F - TOP OF FOOTING
D/V - DOWEL/VERTICAL
DWLS - DWELS
V/VERT - VERTICAL
H/HORIZ - HORIZONTAL

Lap Schedule for 4000 PSI (Class B)

Size	Top bars	Other bars
#3	24"	18"
#4	32"	25"
#5	40"	31"
#6	60"	46"
#7	70"	54"
#8	80"	62"
#9	91"	70"
#10	102"	79"
#11	142"	109"

Release Code: R3

BENDING DETAILS.

Bar Mark	Qty	Size	length	Type	'A'	'B'	'C'	'D'	'E'	'F'	'G'	'H'	'I'	'J'	'K'	'L'	'M'
4A05	14	#4	187"	TT		21"	166"										
4A06	3	#4	54"	TT		21"	33"										
4A07	21	#4	200"	TT		21"	179"										
4A08	27	#4	200"	TT		21"	180"										
4A09	36	#4	51"	TT		21"	31"										
4A10	12	#4	186"	TT		21"	165"										
4A11	3	#4	100"	TT		21"	80"										
4A12	10	#4	191"	TT		21"	171"										
4A13	3	#4	410"	TT		21"	210"										
4A14	3	#4	53"	TT		21"	33"										
4A15	3	#4	411"	TT		21"	210"										
4A16	3	#4	101"	TT		21"	80"										
4A17	3	#4	91"	TT		21"	70"										
4A18	3	#4	91"	TT		21"	70"										
5A01	696	#5	48"	DV	0"	0"	310"										
5A02	2	#5	61"	DV	0"	0"	53"										
5A04	2	#5	78"	DV	0"	0"	67"										
5A05	2	#5	78"	DV	0"	0"	70"										
5A06	2	#5	71"	DV	0"	0"	71"										

FOR APPROVAL

The full intent and purpose of this drawing is the placing and fabrication of reinforcing steel bars ONLY. It is NOT to be used as a means of communication between the Architect, Engineer, Contractor or any other Sub-trade.

Reinforcing steel placing drawings only. Used in conjunction with contract drawings & specifications. Elevations & dimensions shown on this drawing are for detailing purposes only and should not be used for construction unless verified by engineer or contractor.

BAR SIZE CONVERSION

IMPERIAL	SOFT METRIC
#2 / #6	#6 / #19
#3 / #10	#7 / #23
#4 / #13	#8 / #25
#5 / #16	#9 / #29
#6 / #19	#10 / #32
#7 / #23	#11 / #36
#8 / #25	#14 / #43
#9 / #29	#18 / #57

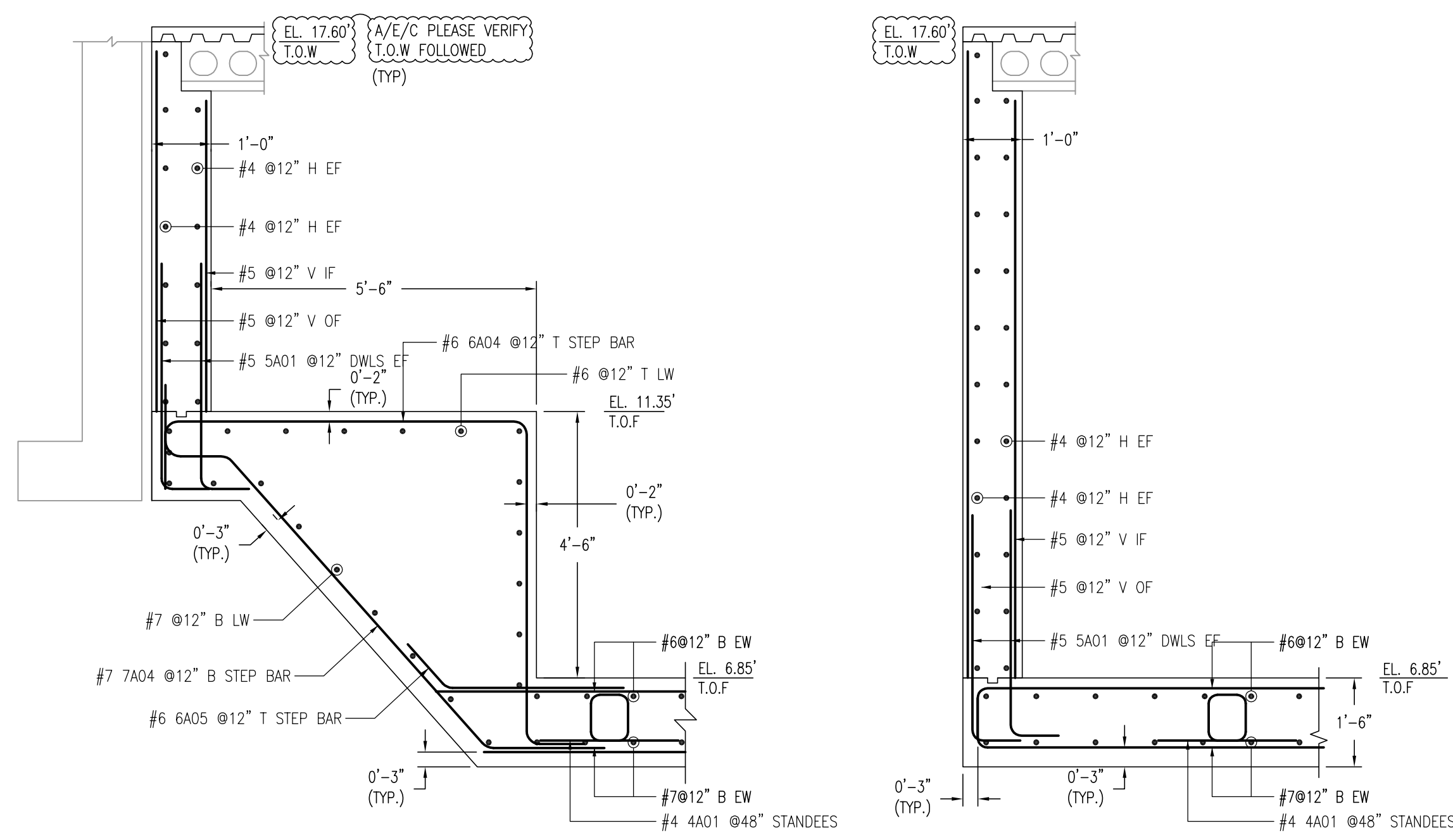
LOCATION: BROOKLYN, NY 11211
ARCHITECT: -
ENGINEER: TAL AZULAY
CUSTOMER: -
DRAWN BY: FC

FABRICATORS CLINIC LLC
EMAIL: office@fabricatorsclinic.com
Phone: (307) 249-8557

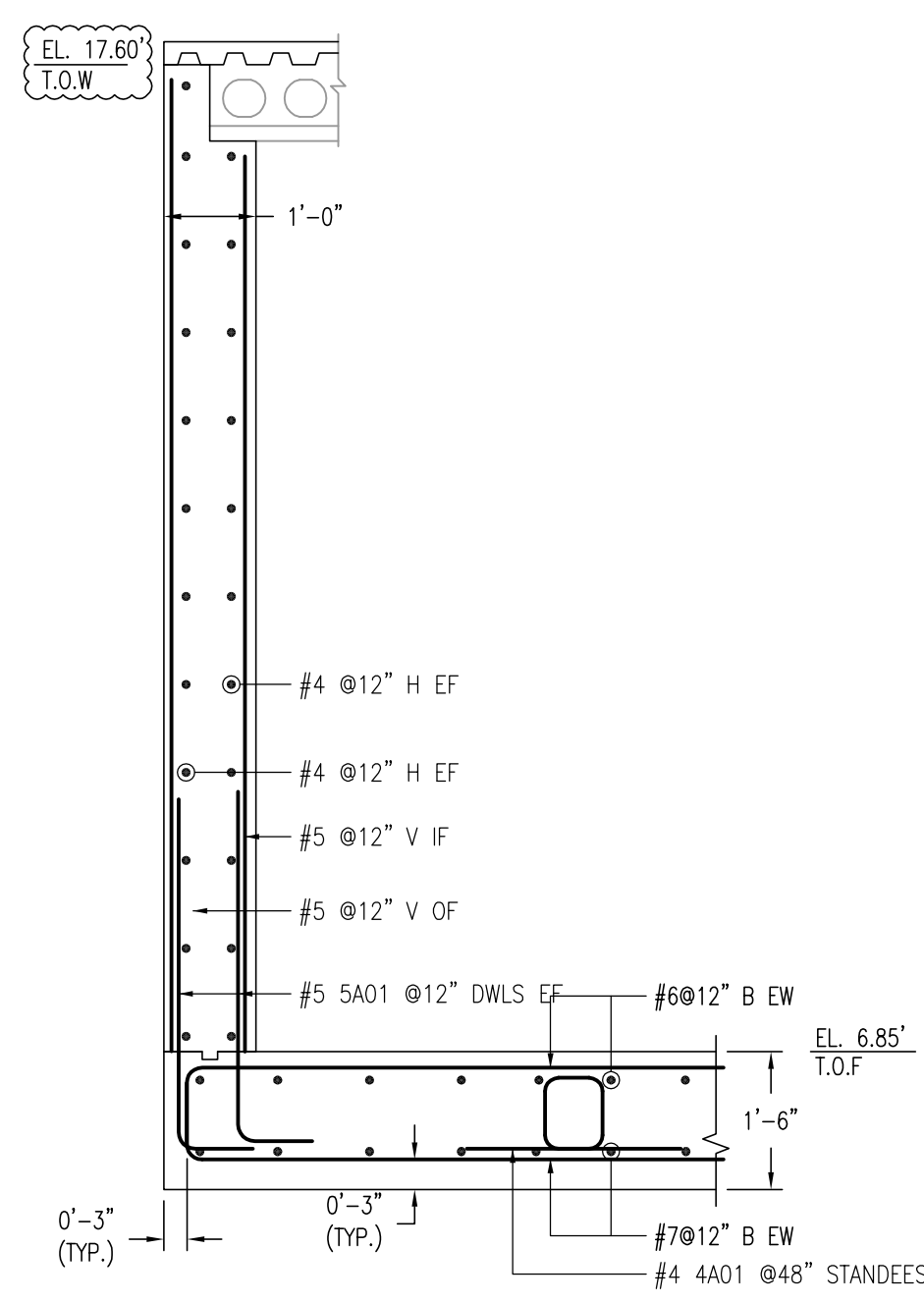
REV	REVISIONS	DATE	BY
4			
3			
2			
1			
0	FOR APPROVAL	05.09.2022	FC

PROJECT: 368 LEONARD
TITLE OF DRAWING: FOUNDATION WALL REINFORCING DETAILS

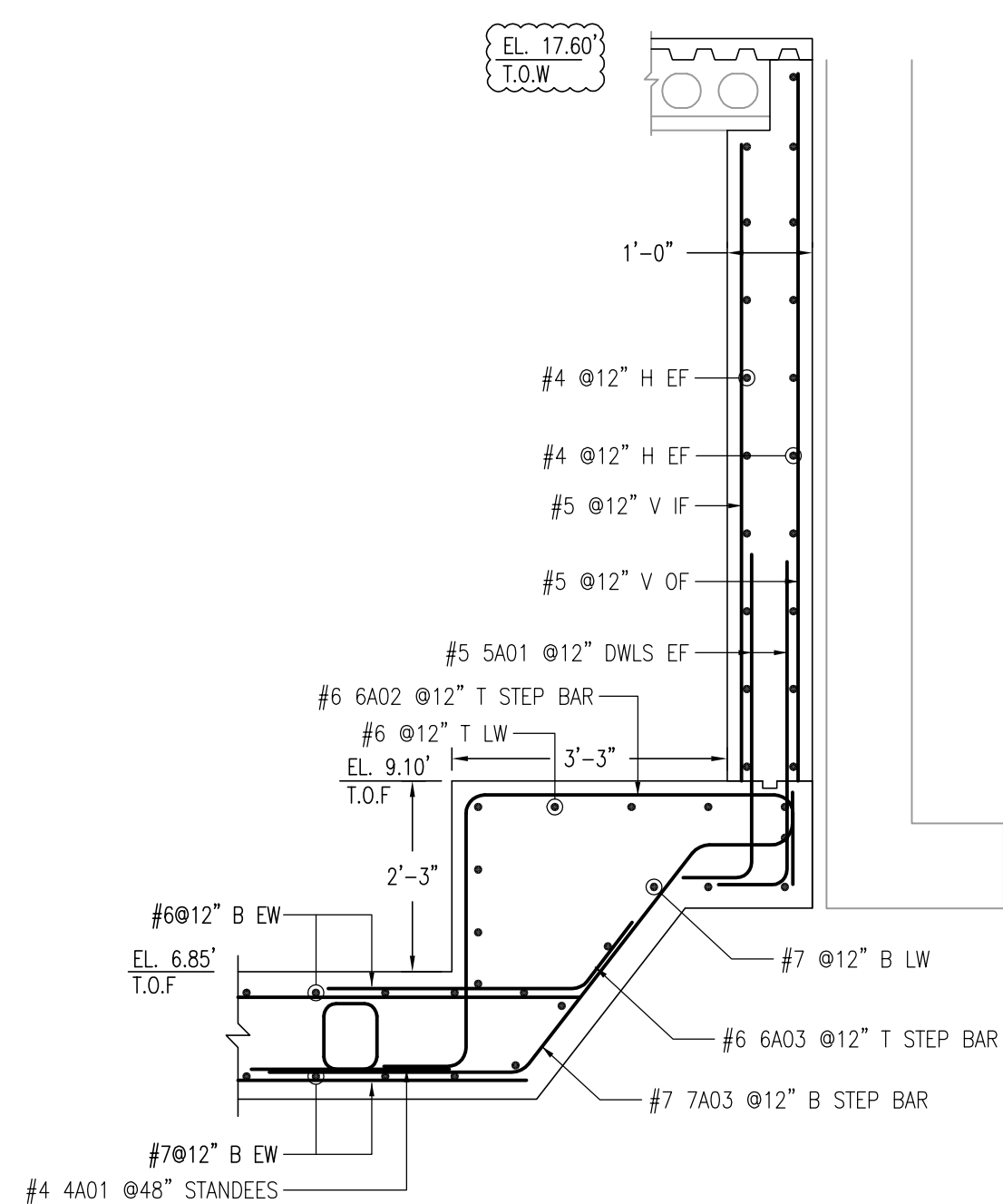
PROJECT NO.: 22-01
DRAWING NO.: R3



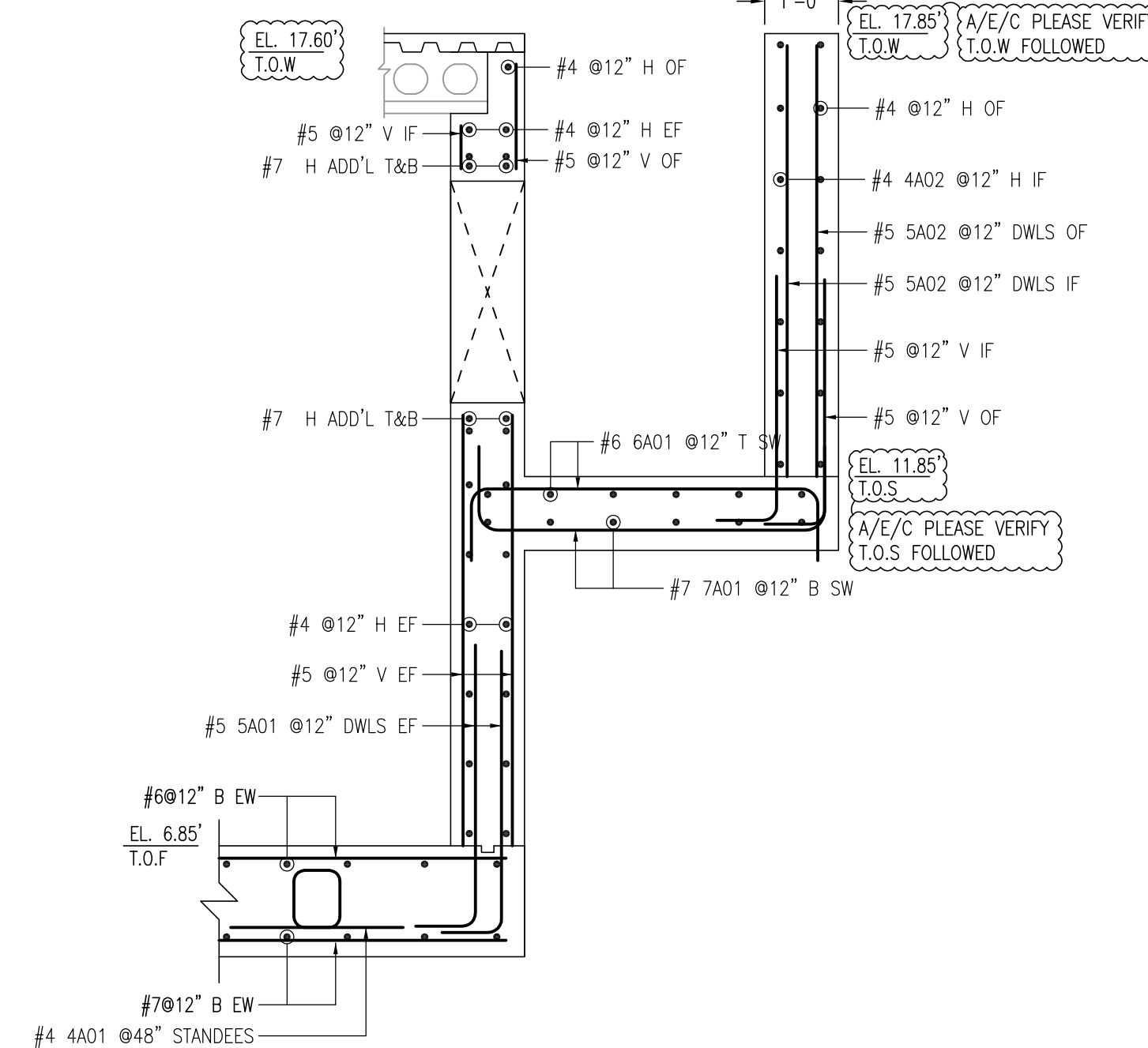
SECTION 1
SCALE = 1/2" = 1'-0"
REF: 1/FO-203.01



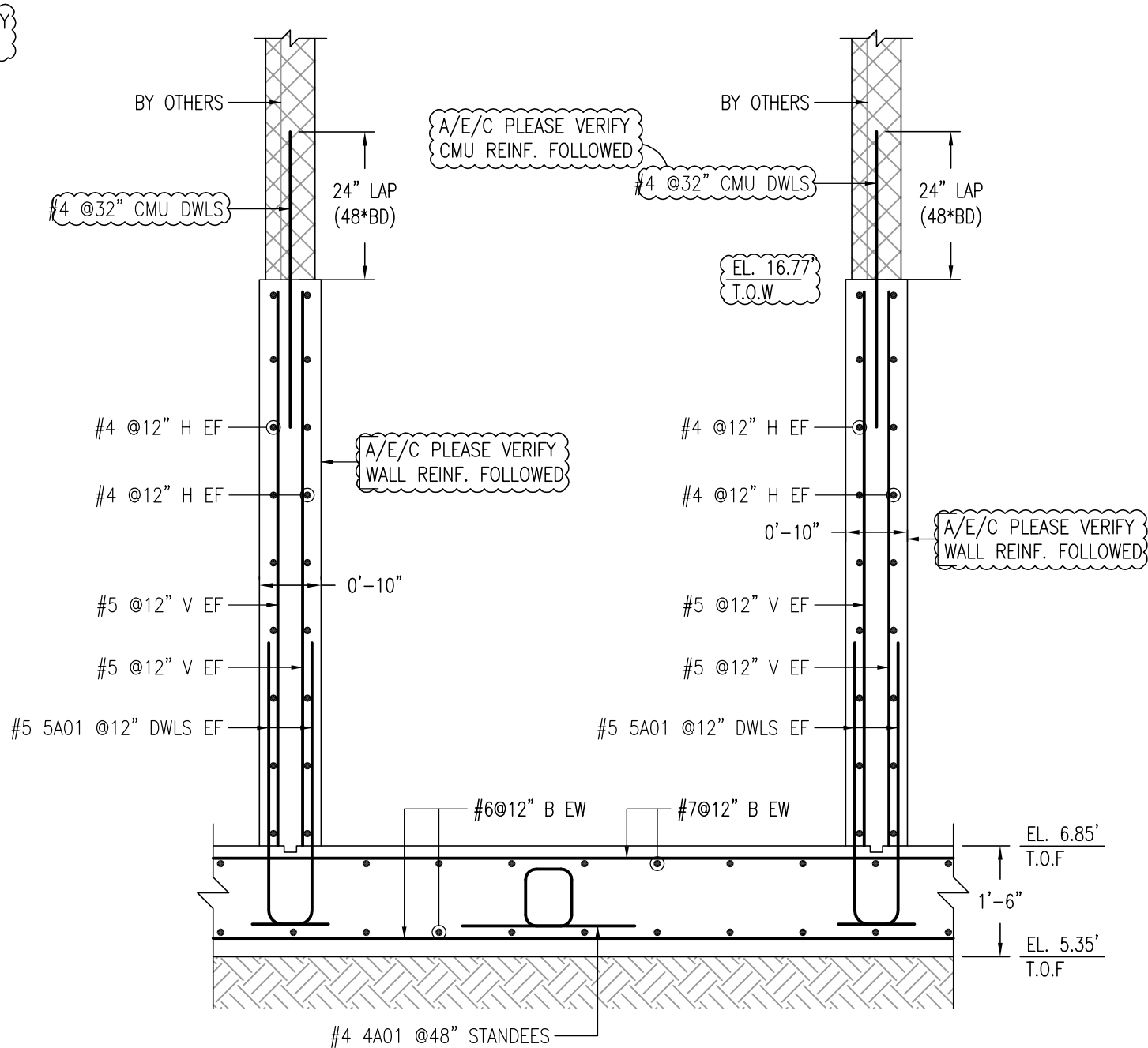
SECTION 2
SCALE = 1/2" = 1'-0"
REF: 2/FO-203.01



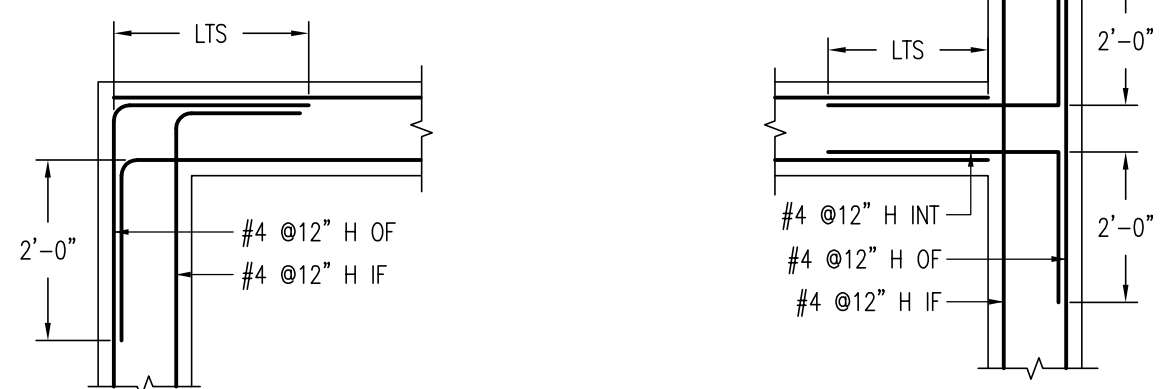
SECTION 3
SCALE = 1/2" = 1'-0"
REF: 2/FO-203.01



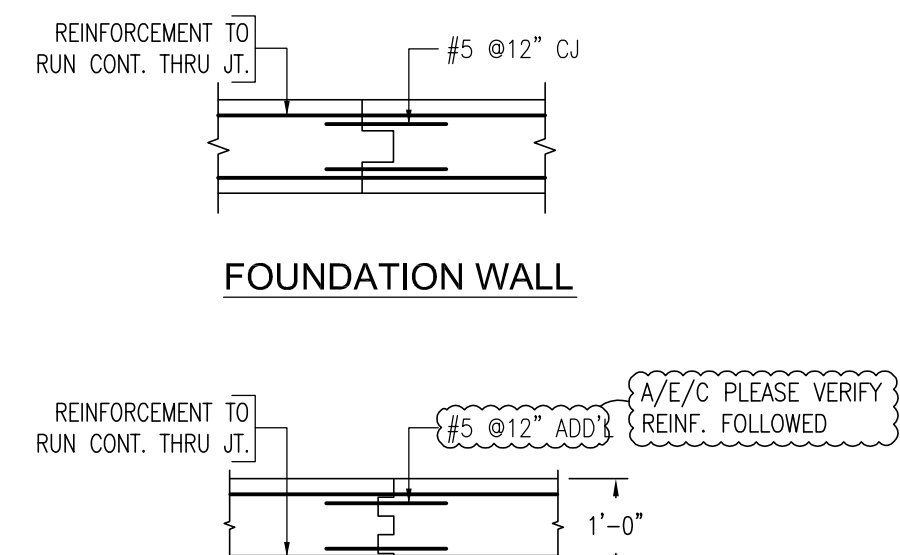
SECTION 4
SCALE = 1/2" = 1'-0"
REF: 2/FO-203.01



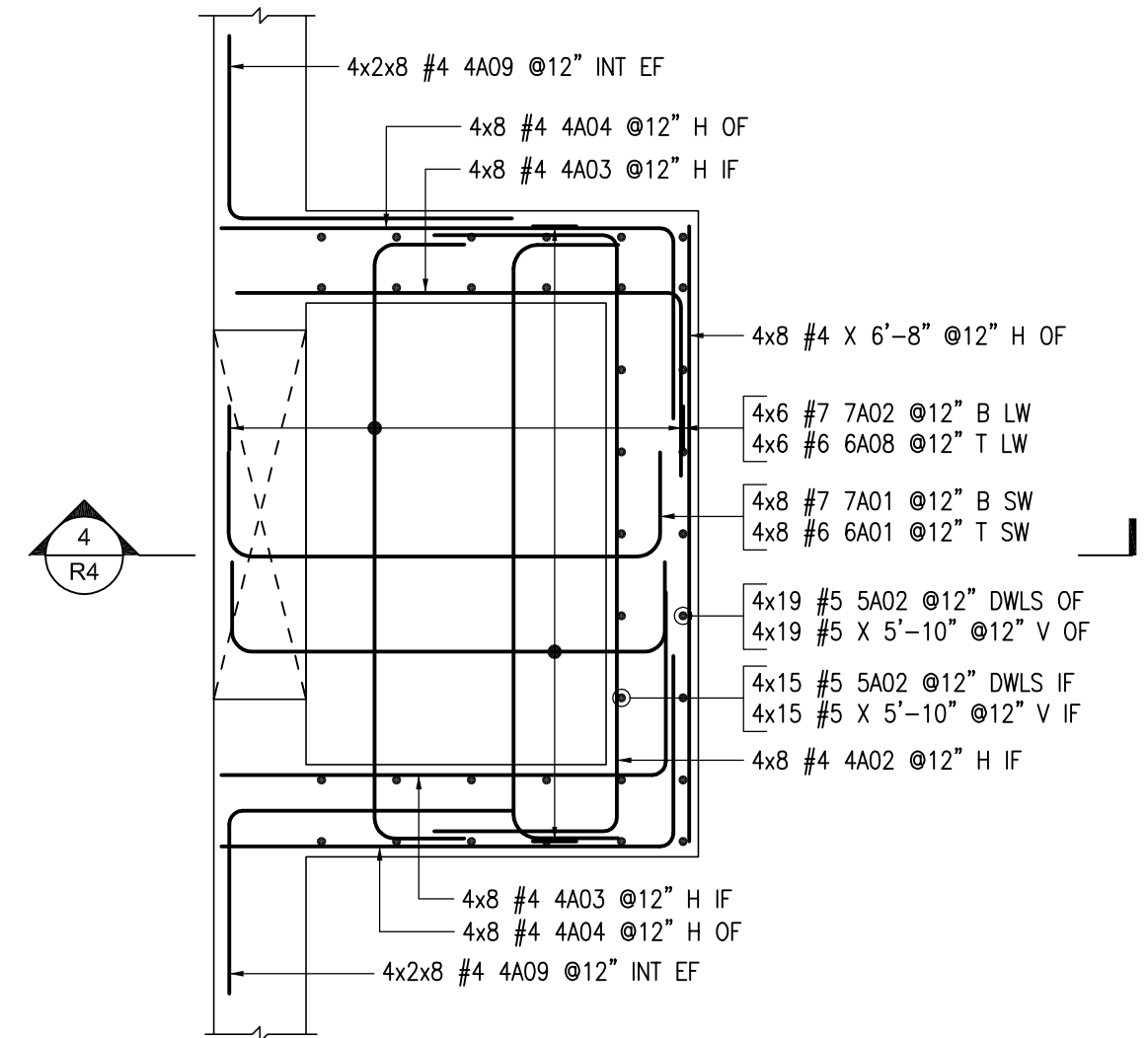
SECTION 5
SCALE = 1/2" = 1'-0"
REF: 4/FO-203.01



TYP. DETAIL - HORIZONTAL WALL REINFORCEMENT
SCALE = 1/2" = 1'-0"
REF SHEETS : 3 / FO-201.00



TYP. DETAIL - CONSTRUCTION JOINT
SCALE = 1/2" = 1'-0"
REF SHEETS : 4 / FO-201.00



FOUNDATION & WALL REINF. DETAIL "A"
SCALE = 1/2" = 1'-0"
REF SHEETS : FO - 101.01
4 LOCATIONS

- NOTES:-**
1. TYPICAL CLEARANCES
A). FOR MAT BOTTOM - 3"
B). FOR MAT TOP - 2"
C). FOR MAT SIDES - 3"
 2. A/E/C PLEASE VERIFY THE ALL CLOUDED ITEMS
 3. CUT TO FIT AT SITE AS REQUIRED
 4. BARS TO BE PLACED AT EQUAL SPACING U.O.N.
 5. TILT HOOK TO ACCOMMODATE THE COVER, IF NEEDED

LEGENDS

T/TOP - TOP LAYER
B/BOT - BOTTOM LAYER
SW - SHORT WAY
LW - LONG WAY
EL - ELEVATION
TYP - TYPICAL
ES - EACH SIDE
EE - EACH END
EF - EACH FACE
T.O.S - TOP OF SLAB
T.O.F - TOP OF FOOTING
D/V - DOWEL/VERTICAL
DWLS - DOWELS
V/VERT - VERTICAL
H/HORIZ - HORIZONTAL

Lap Schedule for 4000 PSI (Class B)

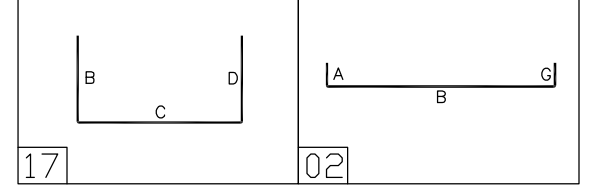
Size	Top bars	Other bars
#3	24"	18"
#4	32"	25"
#5	40"	31"
#6	60"	46"
#7	70"	54"
#8	80"	62"
#9	91"	70"
#10	102"	79"
#11	142"	109"

REFERENCE DRAWINGS

FOR MAT FOUNDATION REINF. DETAIL REFER DRAWING # R1
FOR FOUNDATION WALL ELEVATION MARK & REINF. DETAIL REFER DRAWING # R2
FOR FOUNDATION WALL A THRU G ELEVATION REINF. REFER DRAWING # R3
FOR SECTION DETAILS REFER DRAWING # R4

Release Code: R4 BENDING DETAILS.

Bar Mark	Qty	Size	Total length	Type	X'	Y'	Z'	U'	V'	W'	X'	Y'	Z'	U'	V'
4A02	32	#4	10'5"	17			2'0"	6'5"	2'0"						
4A03	64	#4	6'10"	17			2'0"	4'10"							
4A04	64	#4	7'0"	17			2'1"	4'11"							
4A09	128	#4	5'1"	17			2'0"	3'1"							
5A02	136	#5	4'7"	2	0'10"	3'4"									
6A01	32	#6	6'9"	2	1'0"	4'9"							1'0"		
6A08	24	#6	8'5"	2	1'0"	6'6"							1'0"		
7A01	32	#7	7'1"	2	1'2"	4'9"							1'2"		
7A02	24	#7	8'10"	2	1'2"	6'6"							1'2"		



FOR APPROVAL

The full intent and purpose of this drawing is the placing and fabrication of reinforcing steel bars ONLY. It is NOT to be used as a means of communication between the Architect, Engineer, Contractor or any other Sub-trade.

Reinforcing steel placing drawings only. Use in conjunction with contract drawings & specifications. Elevations & dimensions shown on this drawing are for detailing purposes only and should not be used for construction unless verified by engineer or contractor.

BAR SIZE CONVERSION IMPERIAL / SOFT METRIC

#2 / #6	#6 / #19	#10 / #32
#3 / #10	#7 / #22	#11 / #36
#4 / #13	#8 / #25	#14 / #43
#5 / #16	#9 / #29	#18 / #57

LOCATION: BROOKLYN, NY 11211

ARCHITECT	-
ENGINEER	TAL AZULAY
CUSTOMER	-----
DRAWN BY	PC

FABRICATORS CLINIC LLC
EMAIL : office@fabricatorsclinic.com
Phone : (307) 249-8557

4			
3			
2			
1			
0	FOR APPROVAL	05.09.2022	FC
REV	REVISIONS	DATE	BY

PROJECT: 368 LEONARD
TITLE OF DRAWING: SECTION REINFORCING DETAILS

PROJECT NO. 22-01
DRAWING NO. R4