

MAT & WALL FOOTING REINFORCEMENT DETAIL

SCALE - 1/4"=1'-0"
REF: FO - 101.00

- NOTES:-**
- TYPICAL CLEARANCES FOR FOOTING & MAT
 A) BOTTOM - 3"
 B) TOP - 2"
 C) END - 3"
 FOR CONCRETE WALL
 A) TOP - 2"
 B) SIDES - 2"
 FOR SOG
 A) REBAR PLACED MID DEPTH OF SLAB
 B) END - 2"
 - A/E PLEASE VERIFY THE ALL CLOUDED ITEMS
 - PROVIDE FIELD CUT AS REQUIRED LOCATIONS
 - BAR TO BE PLACED AT EQUAL SPACING U.O.N.
 - TILT HOOK TO ACCOMMODATE THE COVER, IF NEEDED

LAP SCHEDULE
REF: (C.4/S-100.00)
FOR CONCRETE

SIZE	40 X BD
#3	15"
#4	20"
#5	25"
#6	30"
#7	35"
#8	40"

A/E PLEASE VERIFY THE CONCRETE LAP DETAIL FOLLOWED (TYP)

ABBREVIATIONS

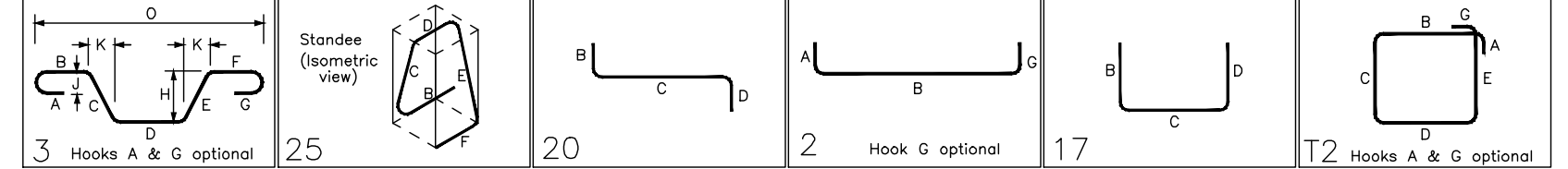
TOP	T
BOTTOM	BOT/B
TOP&BOTTOM	T&B
INTERSECTION BAR	INTER
CORNER BAR	COR
VERTICAL	VERT/V
HORIZONTAL	HOR/H
EACH FACE	EF
INNER FACE	IF
OUTER FACE	OF
EACH SIDE	ES
EACH END	EE
DOWEL	DWLS
DOWEL/VERTICAL	D/V
EACH WAY	EW
LONG WAY	LW
SHORT WAY	SW
DRILL & EPOXY	D&E
VERIFY IN FIELD	V.I.F

ALL BARS ARE ASTM A615 GRADE 60 BLACK

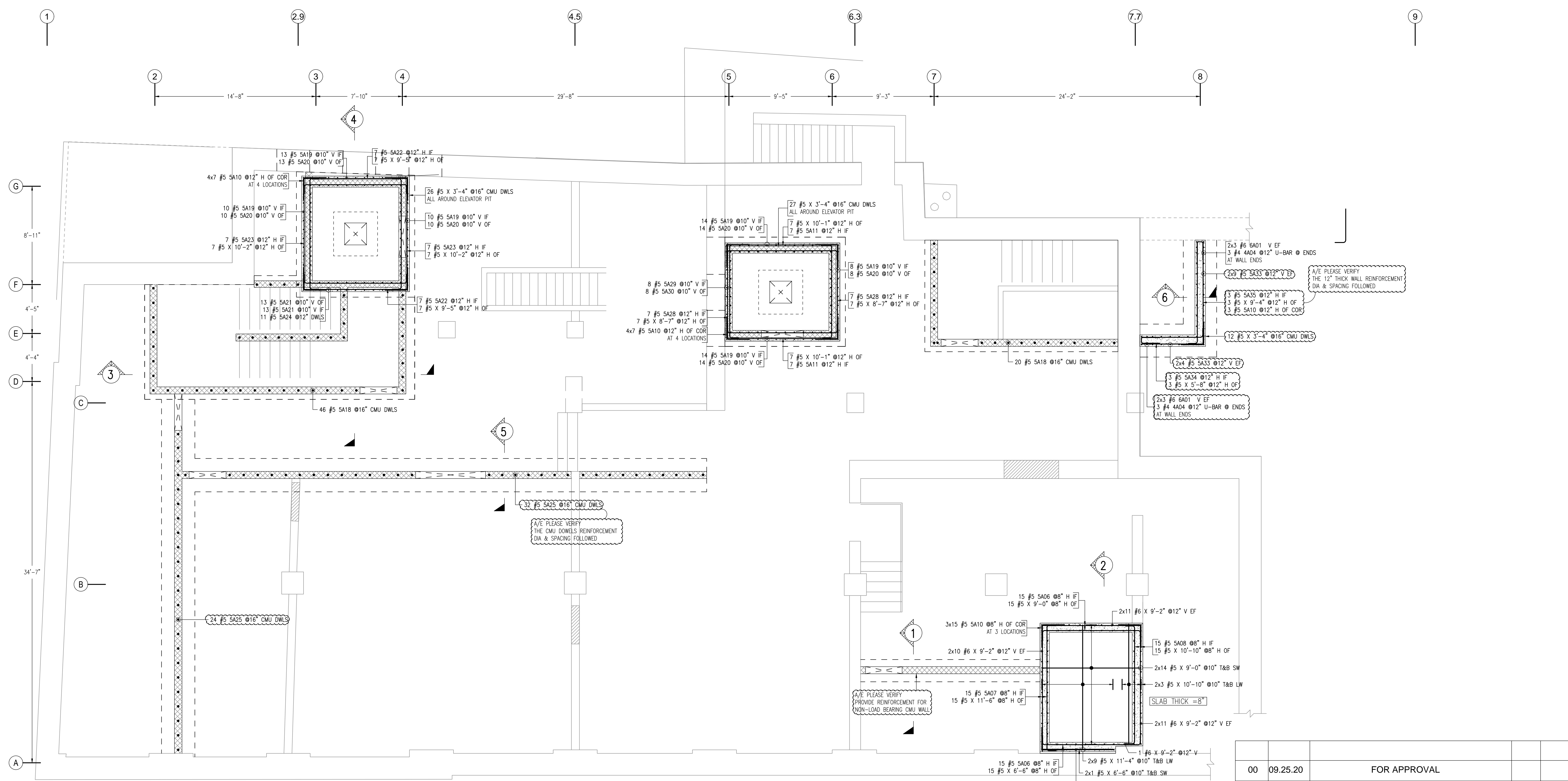
ALL BARS ARE ASTM A615 GRADE 60 BLACK

Rebar Number: 01

Bar Mark	Qty	Size	Total Length	Type	X	Y	Z	W	V	U	T	S	R	Q	P	O	N	M	L	K	J	I	H	G	F	E	D	C	B	A		
S401	11	#3	3'-11 1/2"	3																												
A401	60	#4	3'-5 3/8"	25																												
A402	48	#4	7'-2 1/4"	20																												
A403	33	#4	7'-2 1/4"	20																												
S401	12	#5	12'-4"	2																												
S402	18	#5	15'-0"	2																												
S403	28	#5	10'-5"	2																												
S404	1	#5	8'-0"	2																												
S405	48	#5	4'-1"	2																												
S406	18	#5	12'-5"	2																												
S409	48	#5	4'-2"	2																												
S410	8	#5	4'-2"	17																												
S411	20	#5	11'-5"	2																												
S412	44	#5	11'-11"	2																												
S413	22	#5	25'-8"	2																												
S414	2	#5	15'-9"	2																												
S415	2	#5	6'-5"	2																												
S416	4	#5	12'-5"	2																												
S417	4	#5	12'-5"	2																												
S418	22	#5	12'-1"	2																												
S419	24	#5	11'-1"	2																												
S421	22	#5	16'-8"	2																												
S422	36	#5	11'-4"	2																												
S423	100	#5	3'-11"	2																												
S426	8	#5	11'-4"	12																												
S427	36	#5	2'-10"	2																												
S428	15	#5	16'-4"	12																												



00	09.25.20	FOR APPROVAL		
REV.	DATE	DESCRIPTION	CHK	DTL
PAINT OR FINISH		HOLES		
		WELD SPECS		
TITLE - MAT & WALL FOOTING REINFORCEMENT DETAIL				
JOB NAME: LAGREE BAPTIST CHURCH				
LOCATION -	844 ST ANN'S AVENUE BRONX, NEW YORK 10456	JOB NO. 001	SHEET NO. R1	



MAT & WALL FOOTING REINFORCEMENT DETAIL
 SCALE - 1/4"=1'-0"
 REF: FO - 101.00

- NOTES:-**
- TYPICAL CLEARANCES FOR FOOTING & MAT
 - A) BOTTOM - 3"
 - B) TOP - (2)
 - C) END - 3"
 - FOR CONCRETE WALL
 - A) TOP - 2"
 - B) SIDES - (2)
 - FOR SOG
 - A) REBAR PLACED MID DEPTH OF SLAB
 - B) END - 2"
 - A/E PLEASE VERIFY THE ALL CLOUDED ITEMS
 - PROVIDE FIELD CUT AS REQUIRED LOCATIONS
 - ALL BARS TO BE PLACED AT EQUAL SPACING U.O.N.
 - TILT HOOK TO ACCOMMODATE THE COVER, IF NEEDED

LAP SCHEDULE
 REF: (C.4/S-100.00)
 FOR CONCRETE

SIZE	40 X BD
#3	15"
#4	20"
#5	25"
#6	30"
#7	35"
#8	40"

A/E PLEASE VERIFY THE CONCRETE LAP DETAIL FOLLOWED. (TYP)

ALL BARS ARE ASTM A615 GRADE 60 BLACK

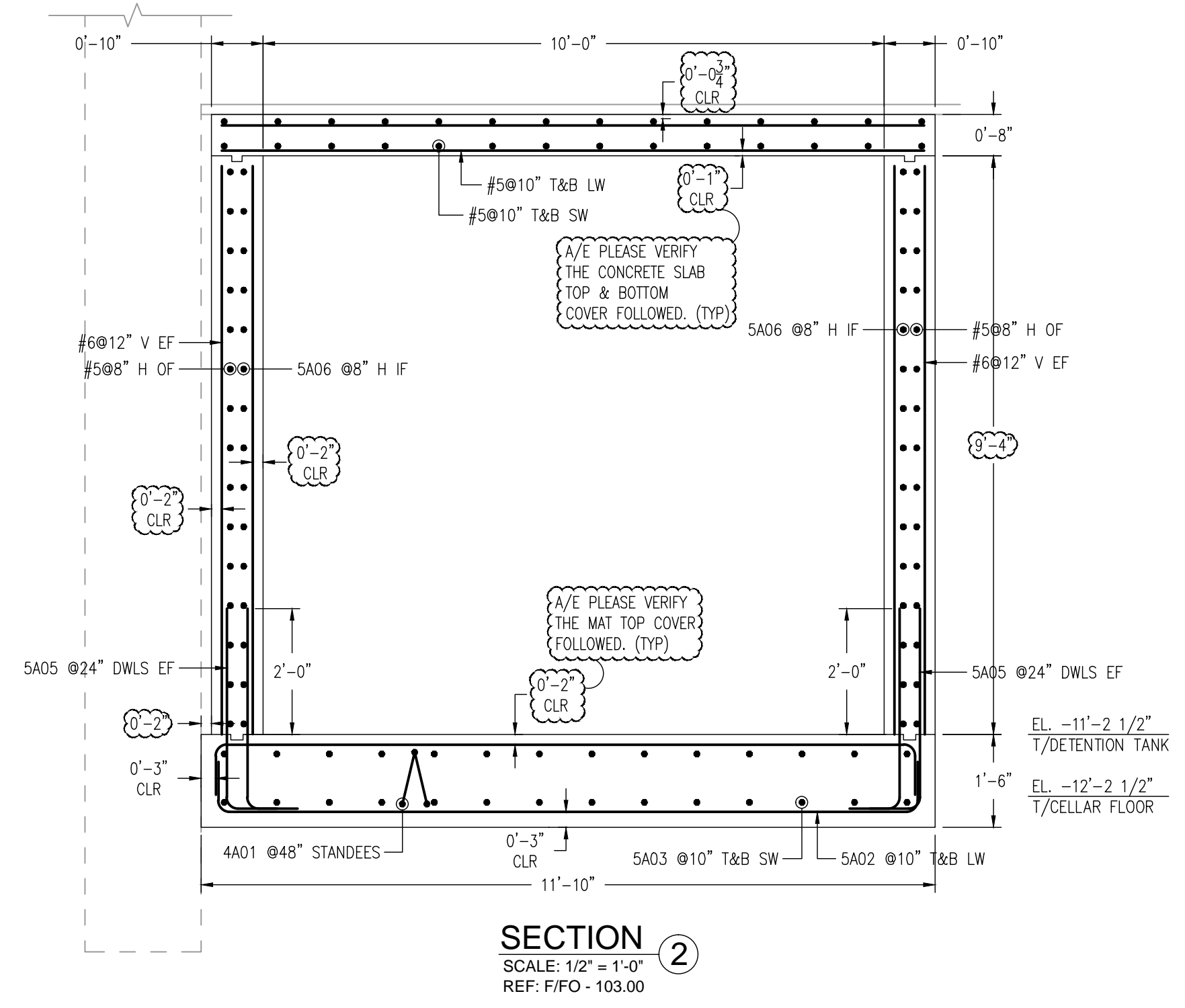
ABBREVIATIONS

TOP	T
BOTTOM	BOT/B
TOP&BOTTOM	T&B
INTERSECTION BAR	INTER
CORNER BAR	COR
VERTICAL	VERT/V
HORIZONTAL	HOR/H
EACH FACE	EF
INNER FACE	IF
OUTER FACE	OF
EACH SIDE	ES
EACH END	EE
DOWEL	DWLS
DOWEL/VERTICAL	D/V
EACH WAY	EW
LONG WAY	LW
SHORT WAY	SW
DRILL & EPOXY	D&E
VERIFY IN FIELD	V.I.F

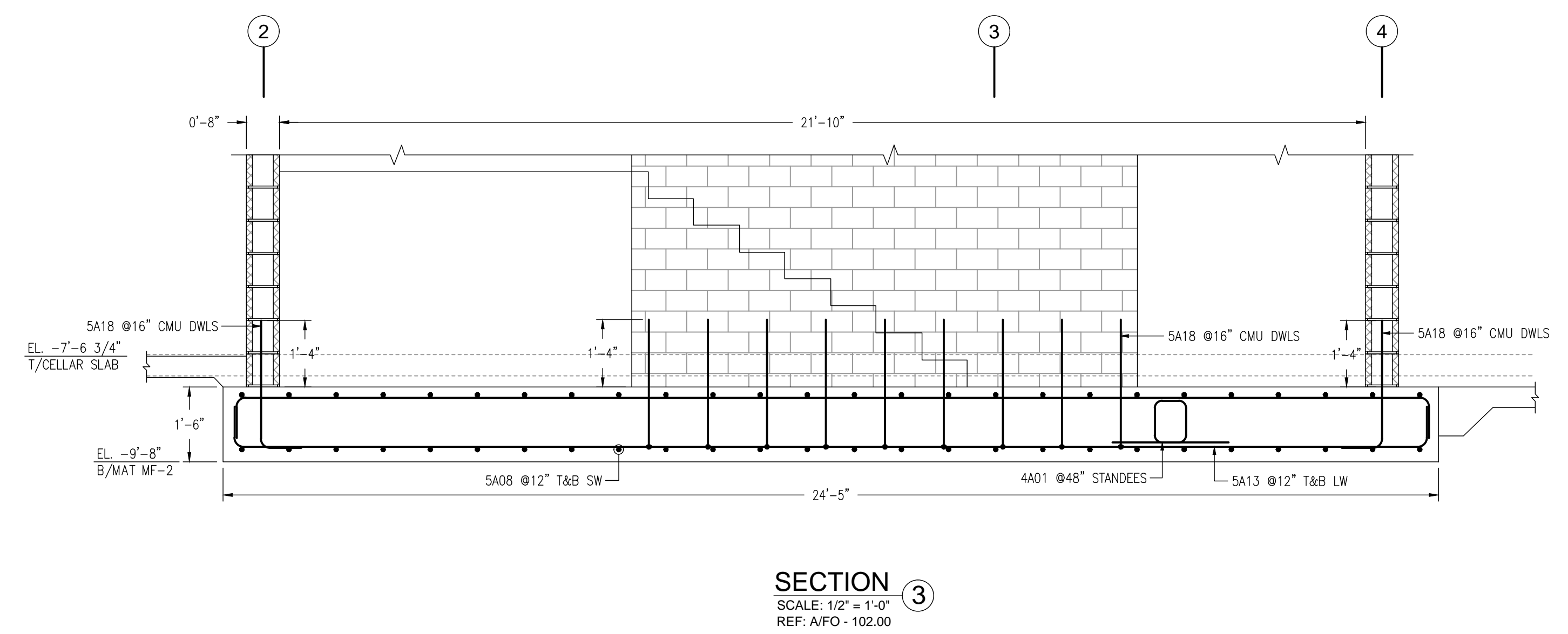
Release Number: R2

Bar Mark	Qty	Size	Total Length	Type	X	Y	Z	W	V	U	T	S	R	Q	P	O	N	M	L	K	J	I	H	G	F	E	D	C	B	A		
5A04	6	#4	3'-10 3/4"	17				1'-8"	0'-6 3/4"	1'-3"																						
5A06	30	#5	10'-7"	2	0'-10"	8'-11"					0'-10"																					
5A07	10	#5	13'-1"	2	0'-10"	11'-5"					0'-10"																					
5A08	10	#5	12'-5"	2	0'-10"	10'-4"					0'-10"																					
5A10	104	#5	4'-2"	17	2'-1"	2'-1"																										
5A11	14	#5	11'-8"	2	0'-10"	10'-0"					0'-10"																					
5A18	66	#5	3'-5"	2	0'-10"	2'-7"																										
5A19	66	#5	8'-5"	20	0'-8"	6'-7"	1'-0"																									
5A20	66	#5	6'-5"	17	0'-8"	6'-7"	1'-0"																									
5A21	26	#5	7'-7"	17	1'-0"	6'-7"	1'-0"																									
5A22	14	#5	11'-0"	2	0'-10"	9'-4"					0'-10"																					
5A23	14	#5	11'-9"	2	0'-10"	10'-11"					0'-10"																					
5A24	11	#5	5'-7 3/4"	14	2'-0"	1'-7 3/4"	2'-0"					1'-1 3/4"	1'-2"	3'-2"																		
5A25	36	#5	4'-10"	2	0'-10"	4'-0"					0'-10"																					
5A28	14	#5	10'-2"	2	0'-10"	8'-4"					0'-10"																					
5A29	8	#5	6'-0"	20	0'-5"	6'-7"	1'-0"																									
5A30	8	#5	6'-0"	17	0'-5"	6'-7"	1'-0"																									
5A33	26	#5	3'-11"	2	0'-10"	3'-11"																										
5A4	3	#5	6'-5"	2	0'-10"	5'-7"																										
5A5	1	#5	10'-1"	2	0'-10"	8'-4"																										
6A01	13	#6	4'-1"	2	1'-0"	3'-1"																										

00	09.25.20	FOR APPROVAL		
REV.	DATE	DESCRIPTION	CHK	DTL
PAINT OR FINISH		HOLES		
		WELD SPECS		
TITLE - CONCRETE WALL & CMU DOWELS REINFORCEMENT DETAIL				
JOB NAME: LAGREE BAPTIST CHURCH				
LOCATION -	844 ST ANN'S AVENUE BRONX, NEW YORK 10456	JOB NO. 001	SHEET NO. R2	



SECTION 2
SCALE: 1/2" = 1'-0"
REF: F/FO - 103.00



SECTION 3
SCALE: 1/2" = 1'-0"
REF: A/FO - 102.00

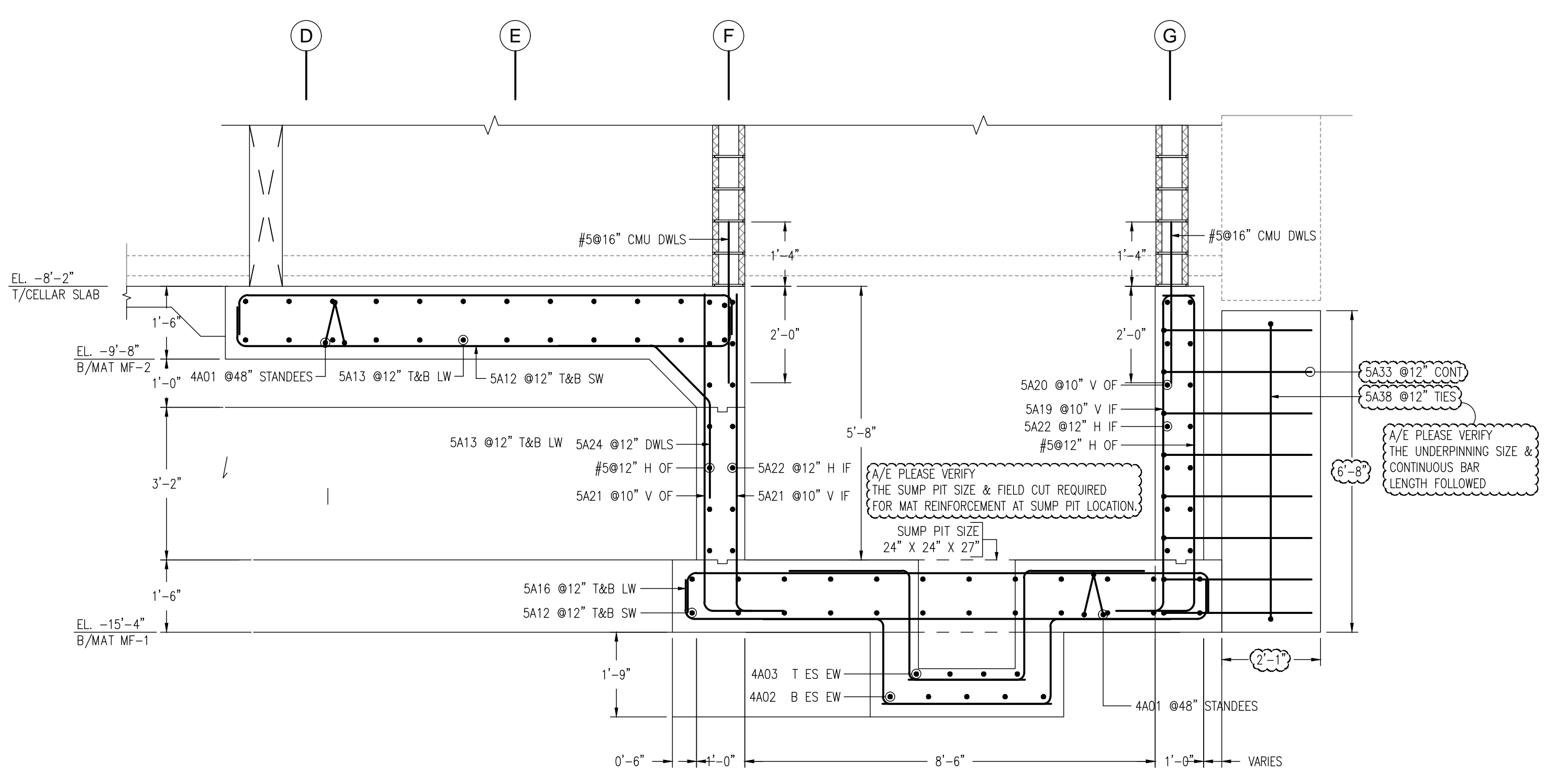
- NOTES:-**
- TYPICAL CLEARANCES FOR FOOTING & MAT
 A) BOTTOM - 3"
 B) TOP - 2"
 C) END - 3"
 - FOR CONCRETE WALL
 A) TOP - 2"
 B) SIDES - 2"
 - FOR STAIR
 A) BOTTOM - 2"
 B) END - 2"
- PLEASE VERIFY THE ALL CLOUDED ITEMS
- PROVIDE FIELD CUT AS REQUIRED LOCATIONS
- BAR TO BE PLACED AT EQUAL SPACING U.O.N.
- TILT HOOK TO ACCOMMODATE THE COVER, IF NEED
- ALL BARS ARE ASTM A615 GRADE 60 BLACK**

LAP SCHEDULE
REF: (C.4/S-100.00)
FOR CONCRETE

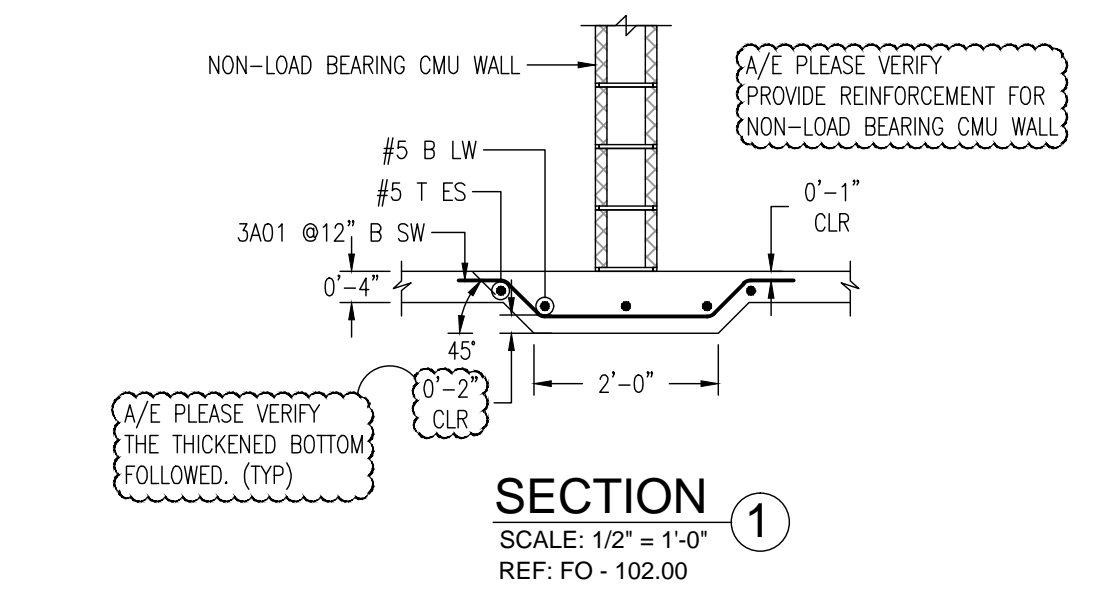
SIZE	40 X BD
#3	15"
#4	20"
#5	25"
#6	30"
#7	35"
#8	40"

ABBREVIATIONS

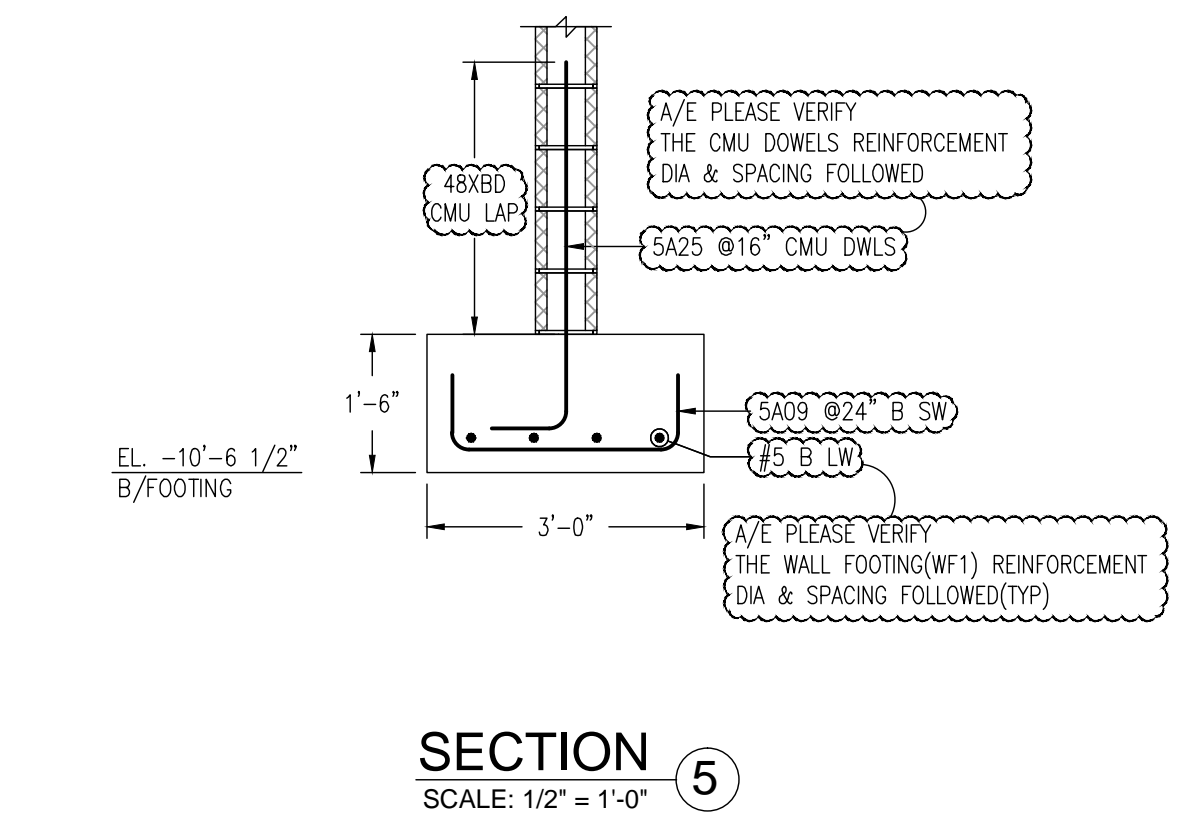
TOP	T
BOTTOM	BOT/B
TOP&BOTTOM	T&B
INTERSECTION BAR	INT
CORNER BAR	COR
VERTICAL	VERT/V
HORIZONTAL	HOR/H
EACH FACE	EF
INNER FACE	IF
OUTER FACE	OF
EACH SIDE	ES
EACH END	EE
DOWEL	DWLS
DOWEL/VERTICAL	D/V
EACH WAY	EW
LONG WAY	LW
SHORT WAY	SW
DRILL & EPOXY	D&E
VERIFY IN FIELD	V.I.F



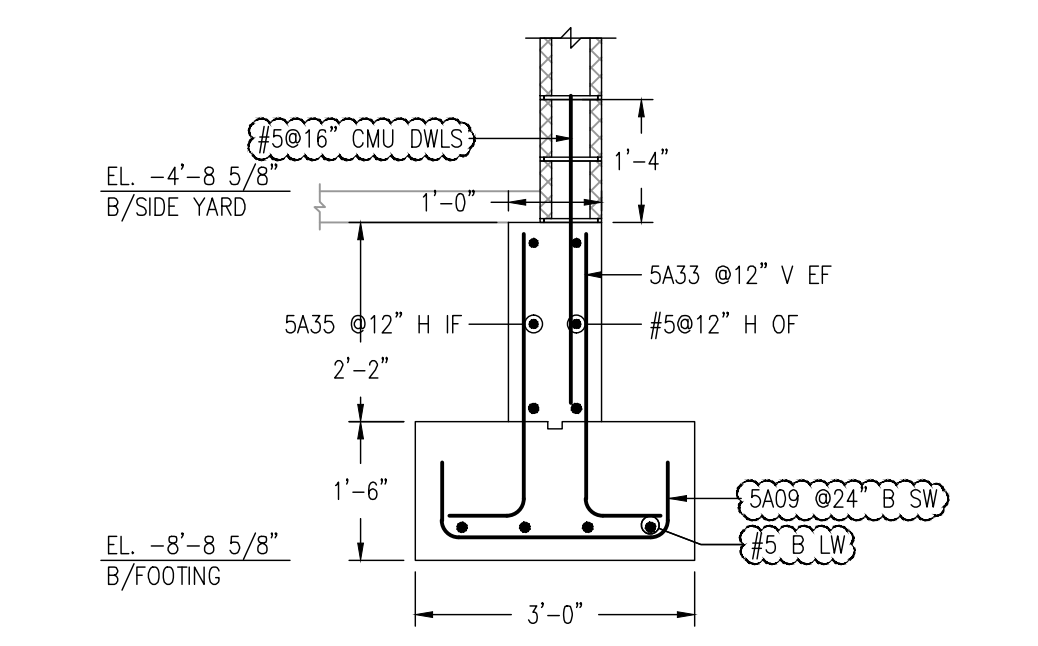
SECTION 4
SCALE: 1/2" = 1'-0"
REF: B/FO - 102.00



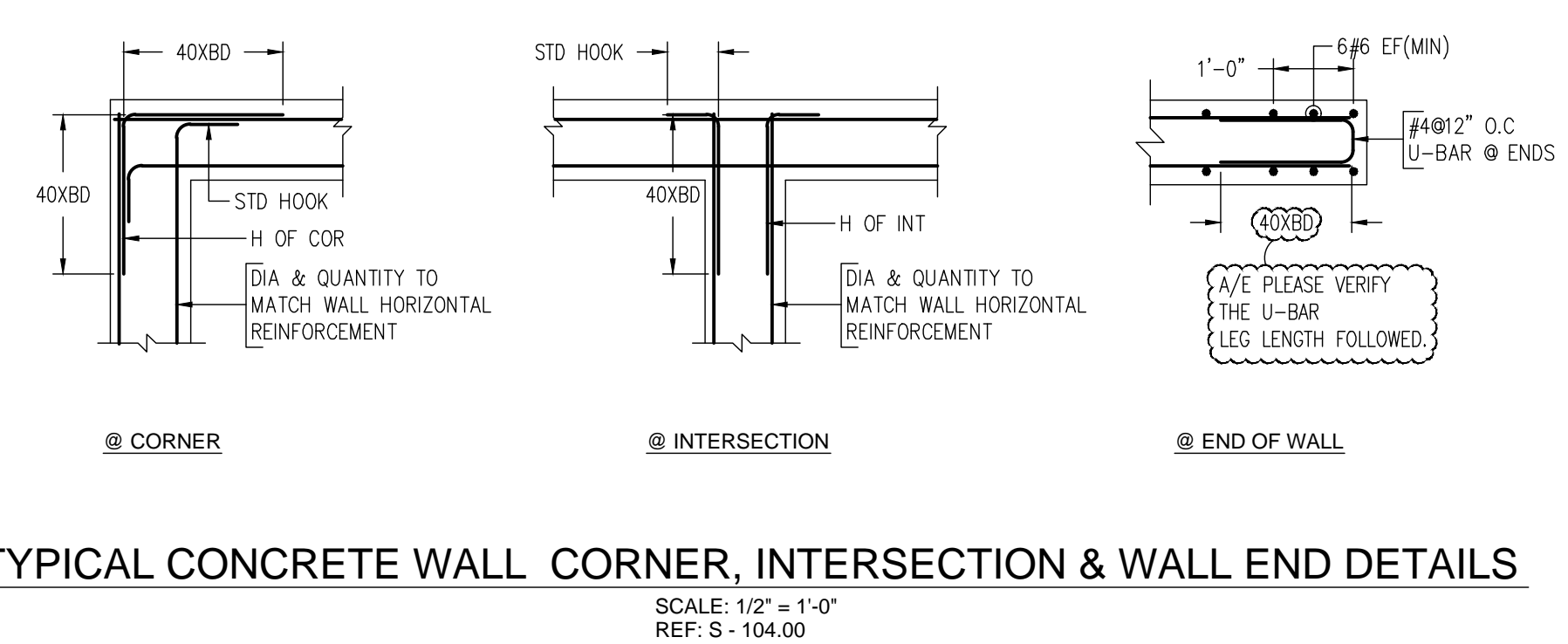
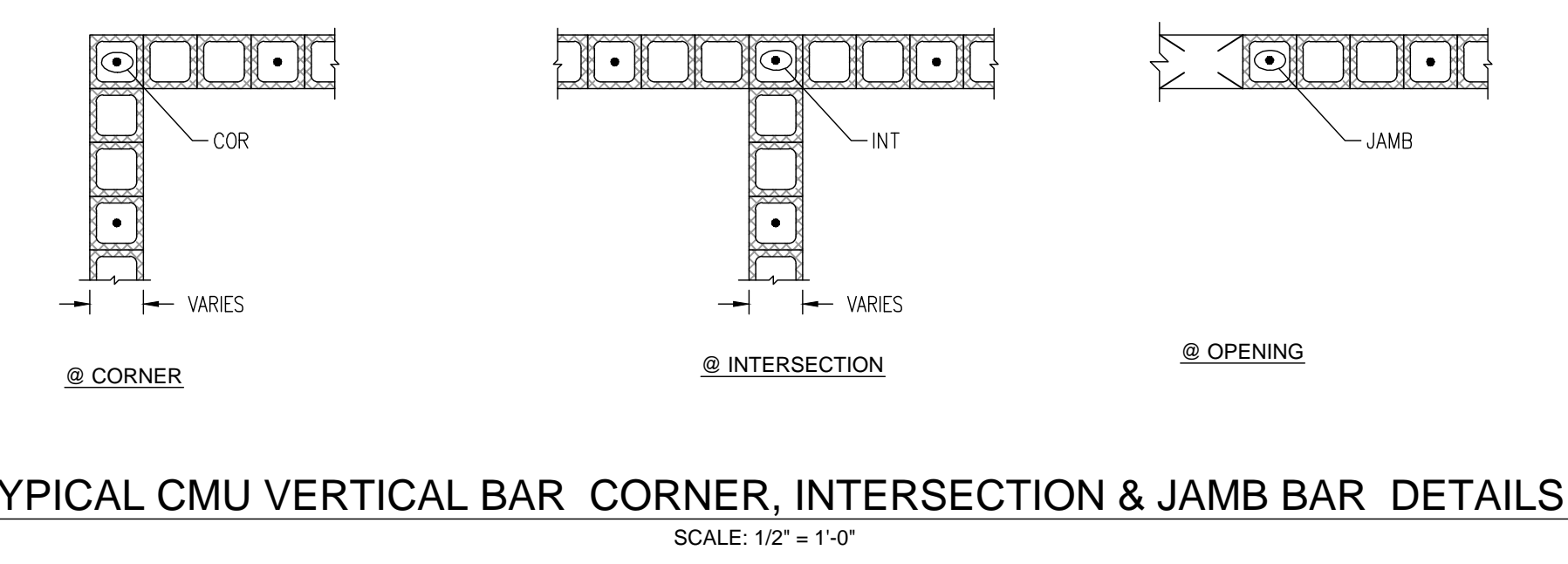
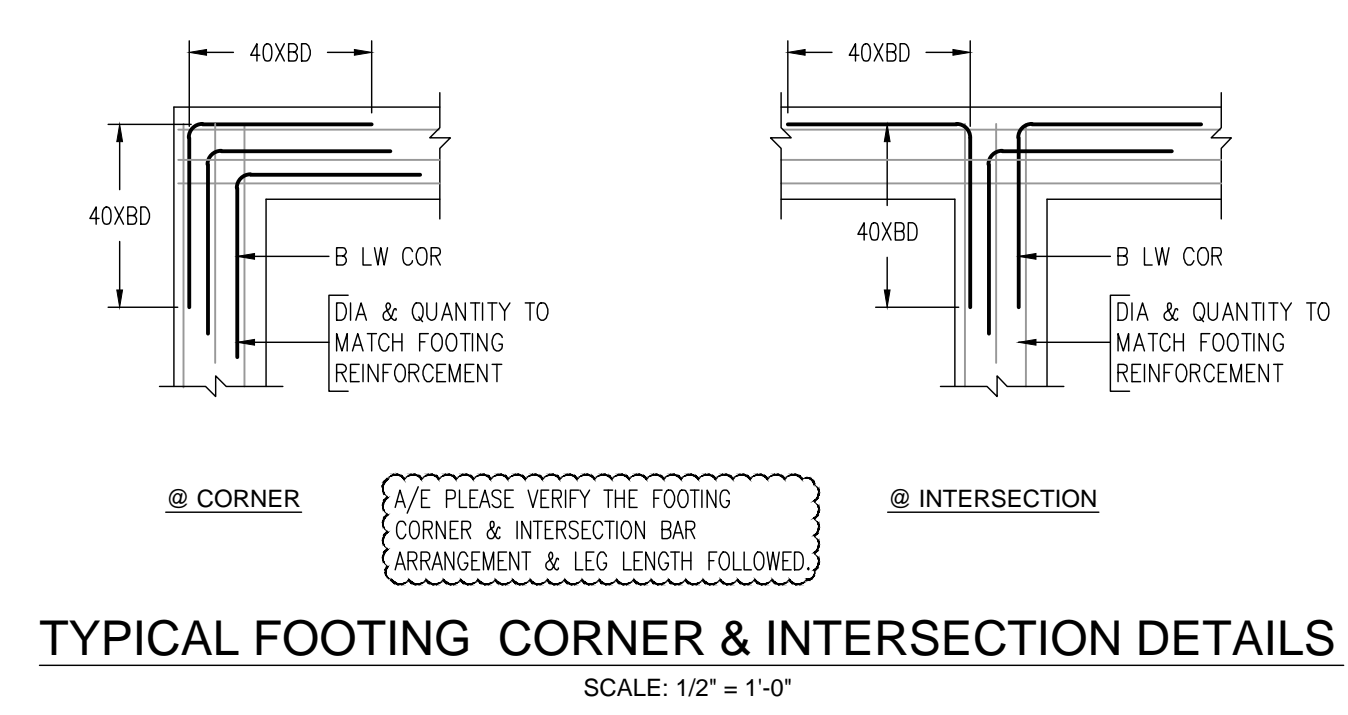
SECTION 1
SCALE: 1/2" = 1'-0"
REF: FO - 102.00



SECTION 5
SCALE: 1/2" = 1'-0"

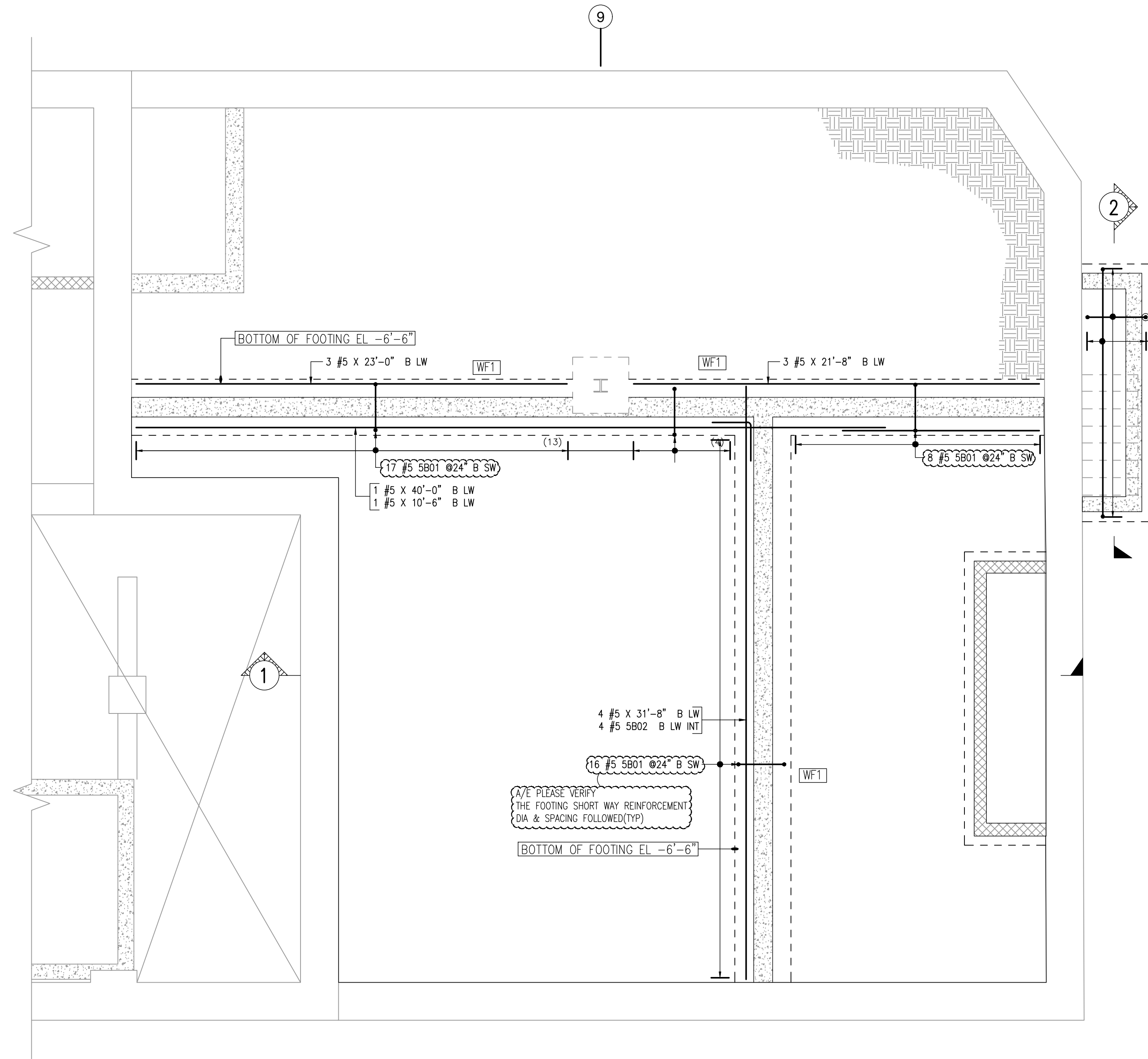


SECTION 6
SCALE: 1/2" = 1'-0"
REF: D/FO - 103.00



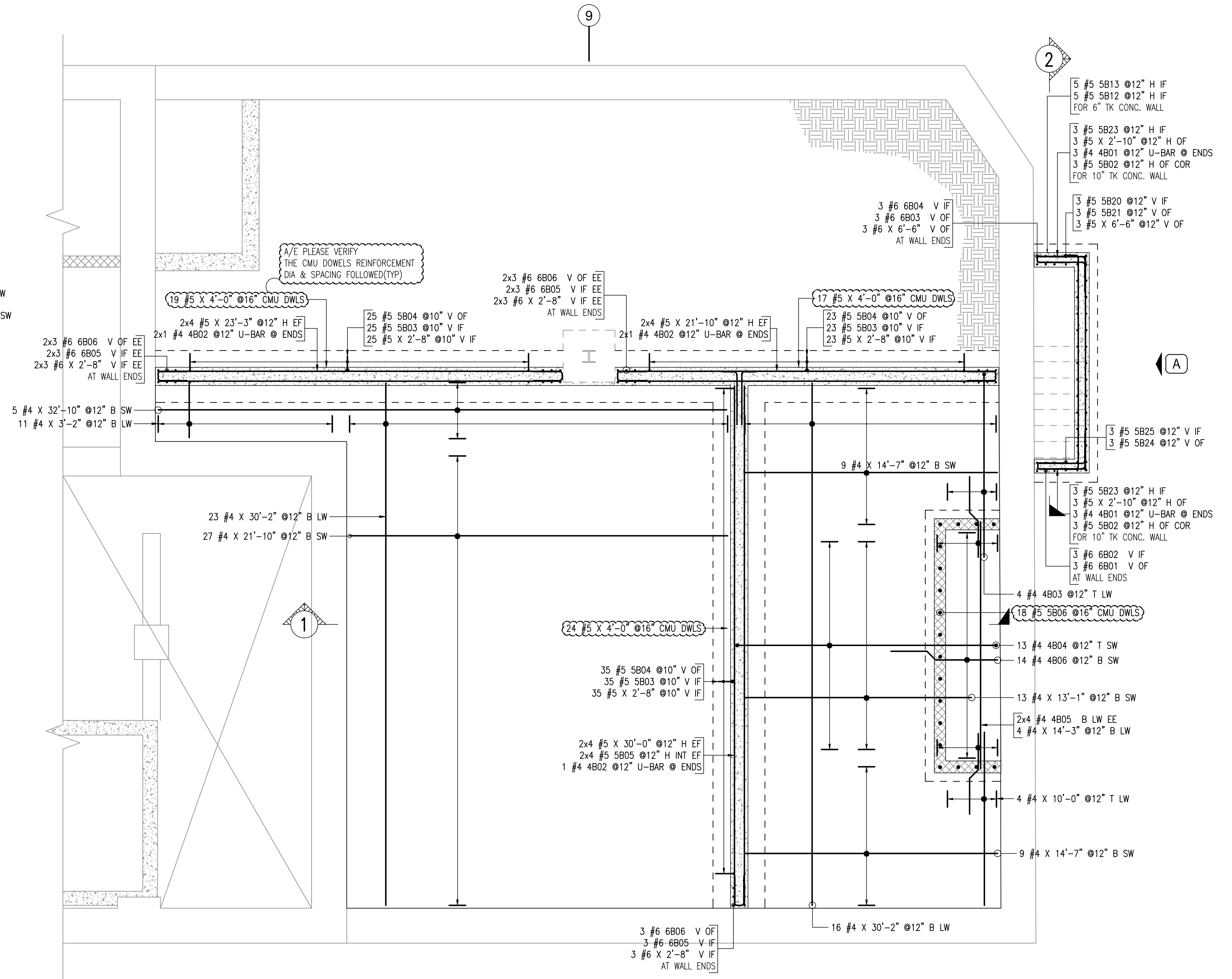
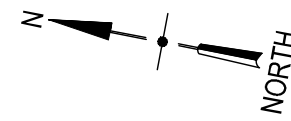
REV.	DATE	DESCRIPTION	CHK	DTL
00	09.25.20	FOR APPROVAL		

PAINT OR FINISH		HOLES	
		WELD SPECS	
TITLE - FOOTING & DOWELS REINFORCEMENT SECTION DETAIL			
JOB NAME: LAGREE BAPTIST CHURCH			
LOCATION - 844 ST ANN'S AVENUE BRONX, NEW YORK 10456	JOB NO. 001	SHEET NO. R3	



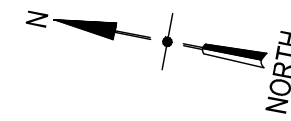
SANCTUARY PART FOOTING REINFORCEMENT DETAIL

SCALE - 1/4"=1'-0"
REF: S - 201.00

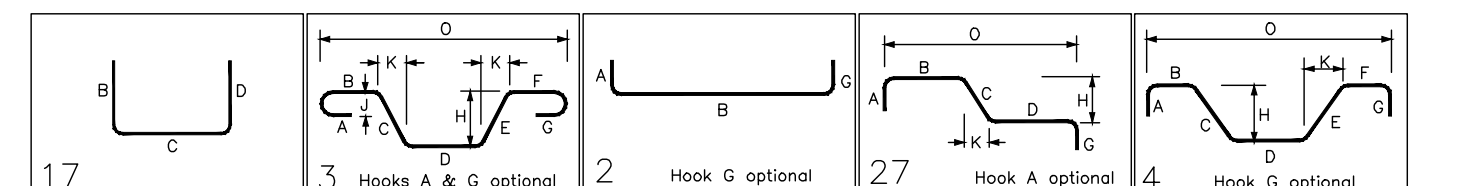


SANCTUARY PART SOG & CONCRETE WALL REINFORCEMENT DETAIL

SCALE - 1/4"=1'-0"
REF: S - 201.00



Rebar Number	BA	Qty	Size	Total Length	Type	X	Y	Z	BAR LIST	W	V	U	T	
4801	#4	17	3'-8"	17		1'-8"			0'-4"	1'-8"				
4802	#4	17	3'-10"	17		1'-8"			0'-6"	1'-8"				
4803	#4	17	11'-9"	17		1'-2"			10'-7"					
4804	#4	17	16'-10"	17		0'-9"			15'-0"	1'-2"				
4805	#4	3	6'-4"	3		2'-1"			0'-4"	2'-1"				
4806	#4	3	6'-4"	3		2'-1"			0'-8"	3'-2"				
5801	#5	2	4'-2"	2	0'-10"				2'-6"		0'-10"			
5802	#5	2	4'-2"	2		2'-11"								
5803	#5	2	2'-9"	2	0'-10"				1'-11"					
5804	#5	2	4'-7"	2	0'-10"				3'-9"					
5805	#5	2	3'-11"	2	0'-10"				3'-11"					
5806	#5	2	4'-4"	2	0'-10"				3'-6"					
5812	#5	2	4'-7"	2		2'-11"			2'-6"					
5813	#5	2	3'-2"	2	0'-10"				2'-4"					
5809	#5	2	8'-4"	2	0'-10"				7'-6"					
5821	#5	2	3'-4"	2	0'-10"				2'-11"					
5823	#5	2	3'-7"	2	0'-10"				2'-9"					
5814	#5	2	6'-3"	2		2'-6"			3'-4"		0'-5"	2'-3"	1'-2"	4'-6"
5825	#5	2	6'-6"	2	0'-10"				3'-7"	2'-1"		1'-10"	0'-11"	4'-7"
5826	#5	2	4'-3"	2	0'-10"				3'-1"			0'-10"		
5827	#5	2	14'-11"	2	0'-10"				13'-3"			0'-10"		
6801	#6	4	6'-4"	4		2'-6"			3'-4"		0'-5"	2'-3"	1'-2"	4'-6"
6802	#6	4	6'-9"	4	1'-0"				3'-2"	2'-1"		1'-10"	0'-11"	4'-7"
6803	#6	4	3'-4"	4		0'-5"			2'-11"					
6804	#6	2	8'-6"	2	1'-0"				7'-6"					
6805	#6	2	2'-11"	2	1'-0"				1'-11"					
6806	#6	2	4'-9"	2	1'-0"				3'-9"					



- NOTES:-**
- TYPICAL CLEARANCES FOR FOOTING & MAT
 - A) BOTTOM - 3"
 - B) TOP - 2"
 - C) END - 3"
 - FOR CONCRETE WALL
 - A) TOP - 2"
 - B) END - 2"
 - FOR SOG
 - A) REBAR PLACED MID DEPTH OF SLAB
 - B) END - 2"
 - A/E PLEASE VERIFY THE ALL CLOUDED ITEMS
 - PROVIDE FIELD CUT AS REQUIRED LOCATIONS
 - BAR TO BE PLACED AT EQUAL SPACING U.O.N.
 - SILT HOOK TO ACCOMMODATE THE COVER, IF NEEDED

LAP SCHEDULE
REF: (C4/S-100.00)
FOR CONCRETE

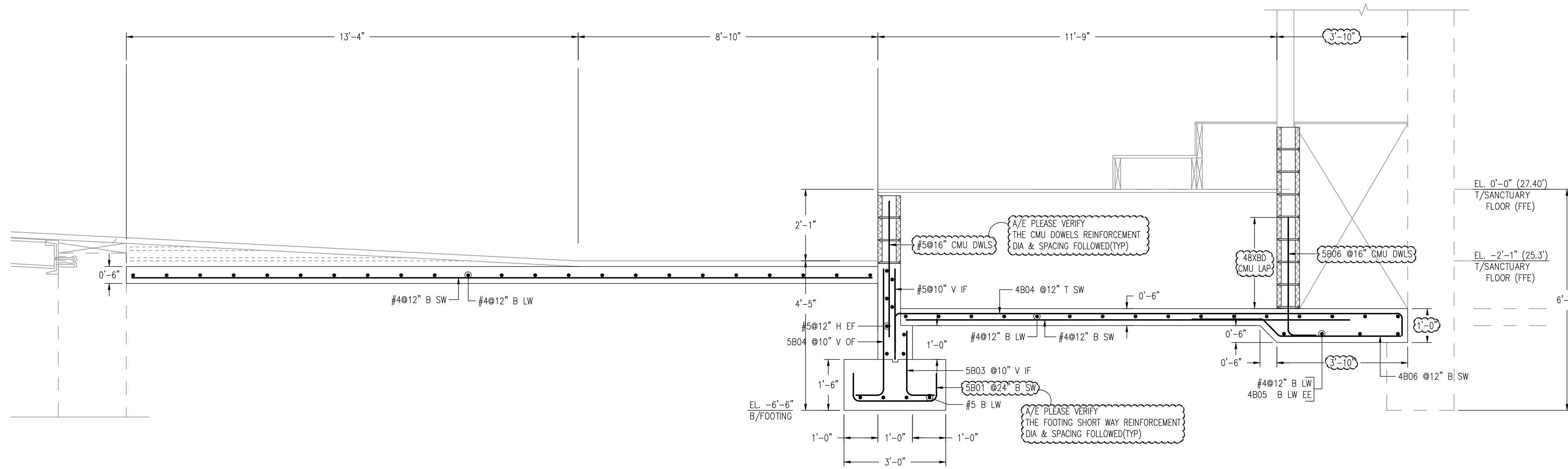
SIZE	40 X BD
#3	15"
#4	20"
#5	25"
#6	30"
#7	35"
#8	40"

ABBREVIATIONS

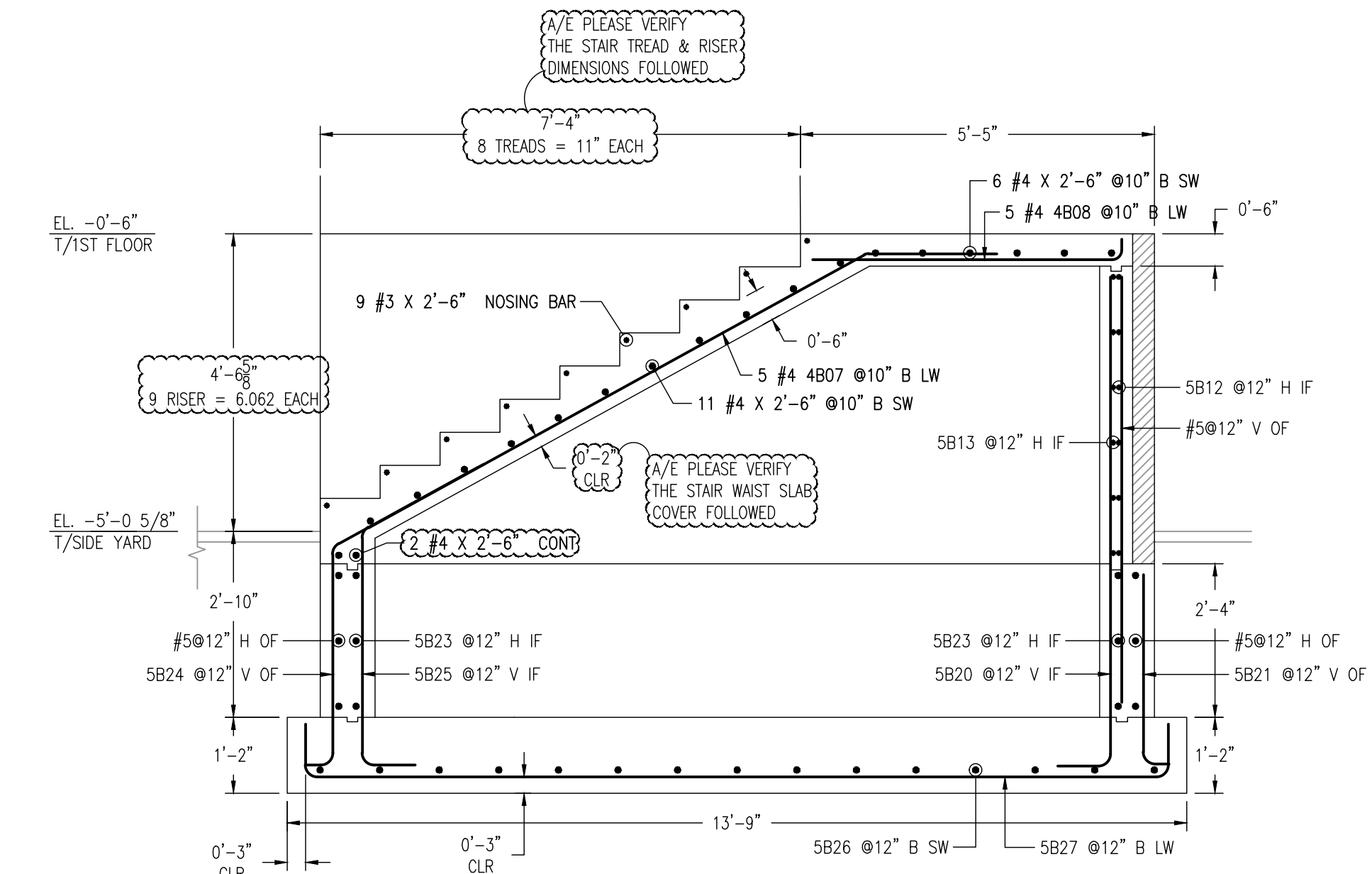
TOP	T
BOTTOM	BOT/B
TOP&BOTTOM	T&B
INTERSECTION BAR	INTER
CORNER BAR	COR
VERTICAL	VERT/V
HORIZONTAL	HOR/H
EACH FACE	EF
INNER FACE	IF
OUTER FACE	OF
EACH SIDE	ES
EACH END	EE
DOWEL	DWLS
DOWEL/VERTICAL	D/V
EACH WAY	EW
LONG WAY	LW
SHORT WAY	SW
DRILL & EPOXY	D&E
VERIFY IN FIELD	V.I.F

ALL BARS ARE ASTM A615 GRADE 60 BLACK

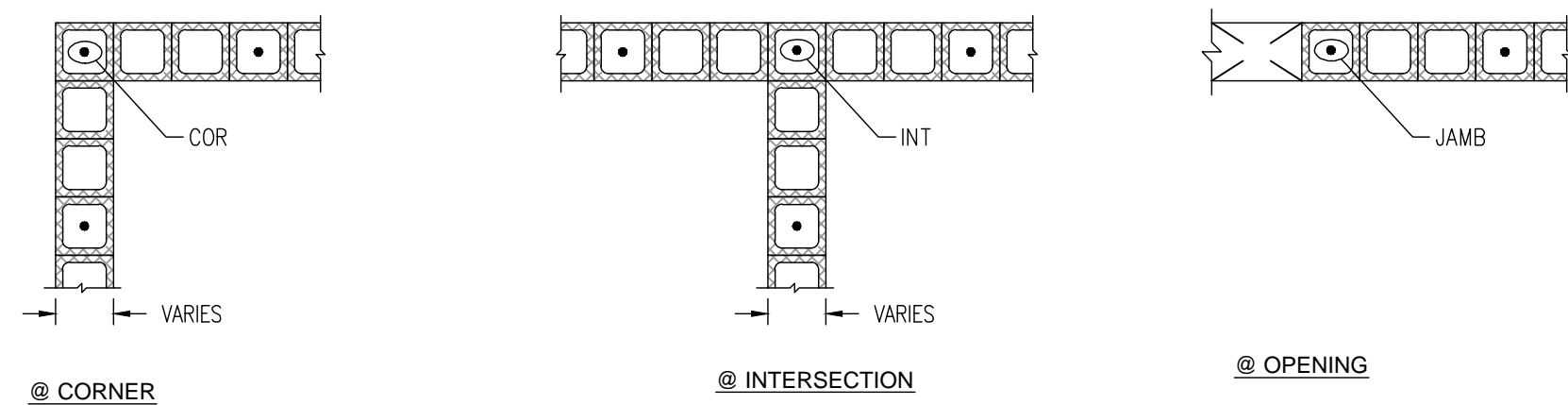
REV.	DATE	DESCRIPTION	CHK	DTL
00	09.25.20	FOR APPROVAL		
PAINT OR FINISH		HOLES		
		WELD SPECS		
TITLE - SANCTUARY PART FOOTING, SOG & CONC. WALL REIN. DETAIL				
JOB NAME: LAGREE BAPTIST CHURCH				
LOCATION - 844 ST ANN'S AVENUE BRONX, NEW YORK 10456		JOB NO. 001	SHEET NO. R4	



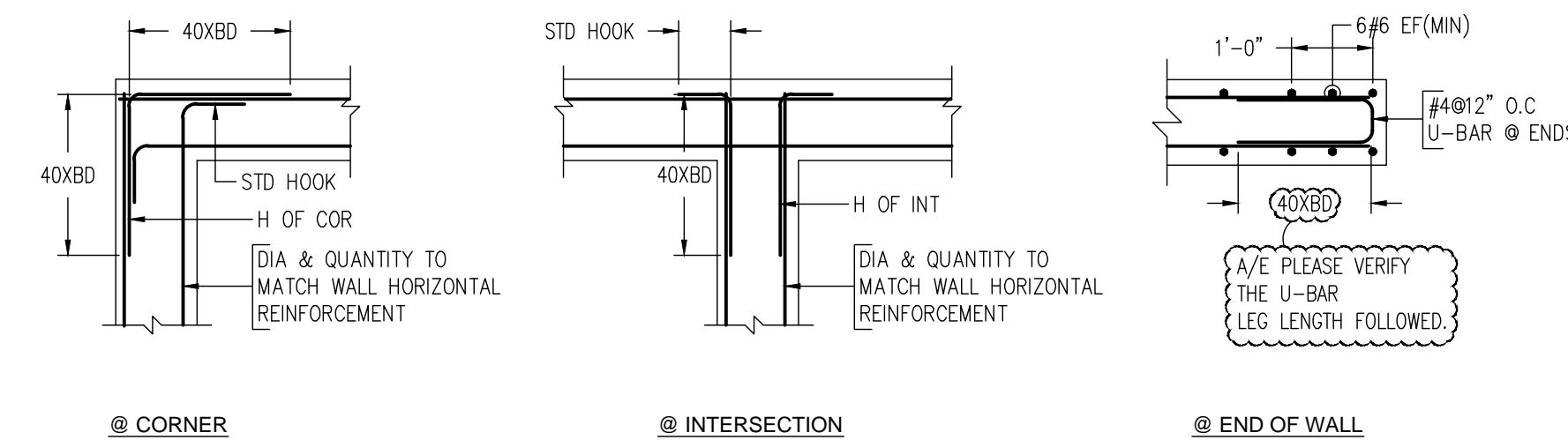
SECTION 1
SCALE: 1/2" = 1'-0"
REF: 1/S - 201.00



SECTION 2
SCALE: 1/2" = 1'-0"
REF: 1/S - 201.00



TYPICAL CMU VERTICAL BAR CORNER, INTERSECTION & JAMB BAR DETAILS
SCALE: 1/2" = 1'-0"



TYPICAL CONCRETE WALL CORNER, INTERSECTION & WALL END DETAILS
SCALE: 1/2" = 1'-0"
REF: S - 104.00

NOTES:-

- TYPICAL CLEARANCES FOR FOOTING & MAT
 - A) BOTTOM - 3"
 - B) TOP - 2"
 - C) END - 3"
- A/E PLEASE VERIFY THE ALL CLOUDED ITEMS
- PROVIDE FIELD CUT AS REQUIRED LOCATIONS
- BAR TO BE PLACED AT EQUAL SPACING U.O.N.
- TILT HOOK TO ACCOMMODATE THE COVER, IF NEED

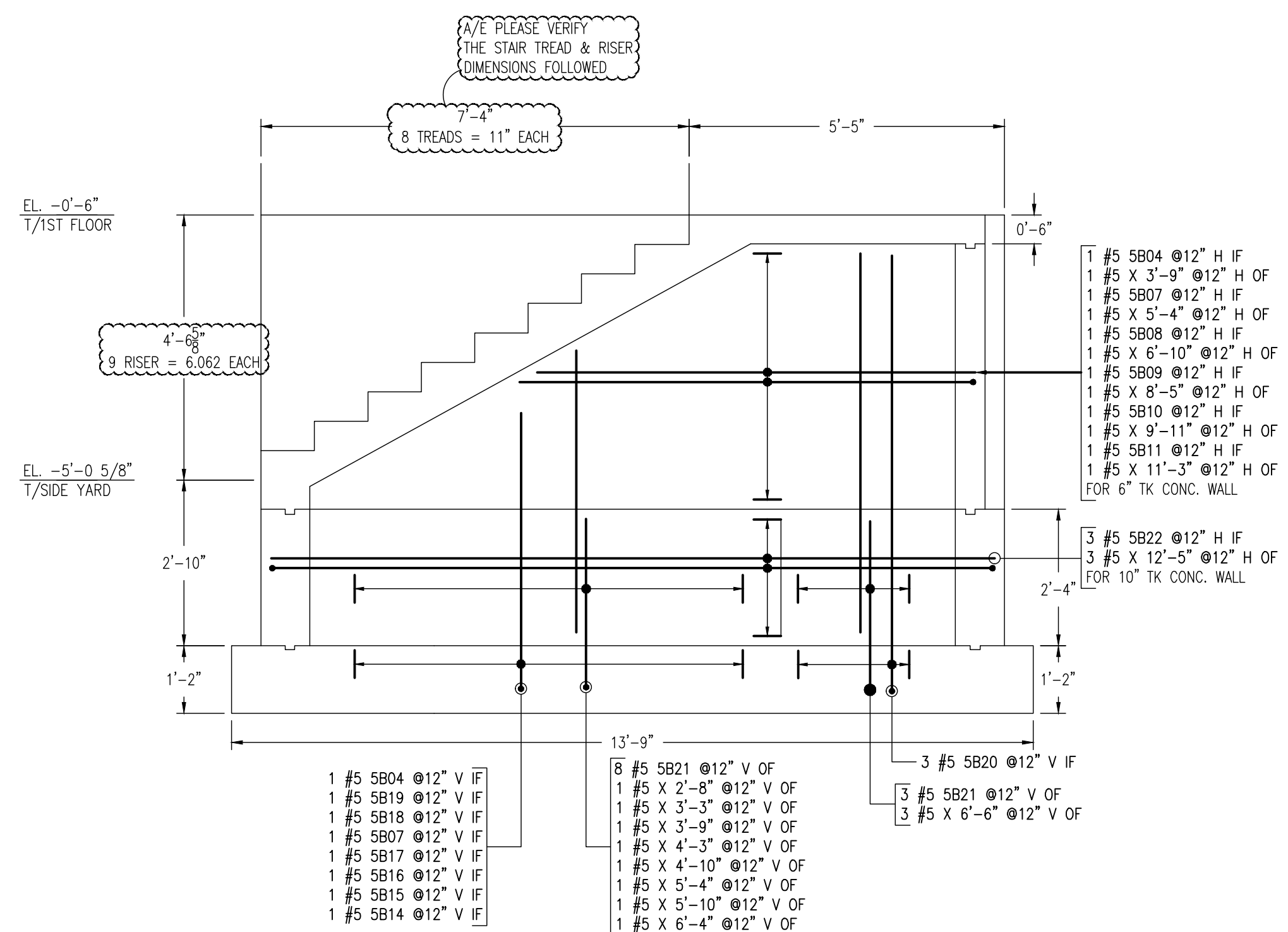
LAP SCHEDULE
REF: (C.4/S-100.00)

SIZE	40 X BD
#3	15"
#4	20"
#5	25"
#6	30"
#7	35"
#8	40"

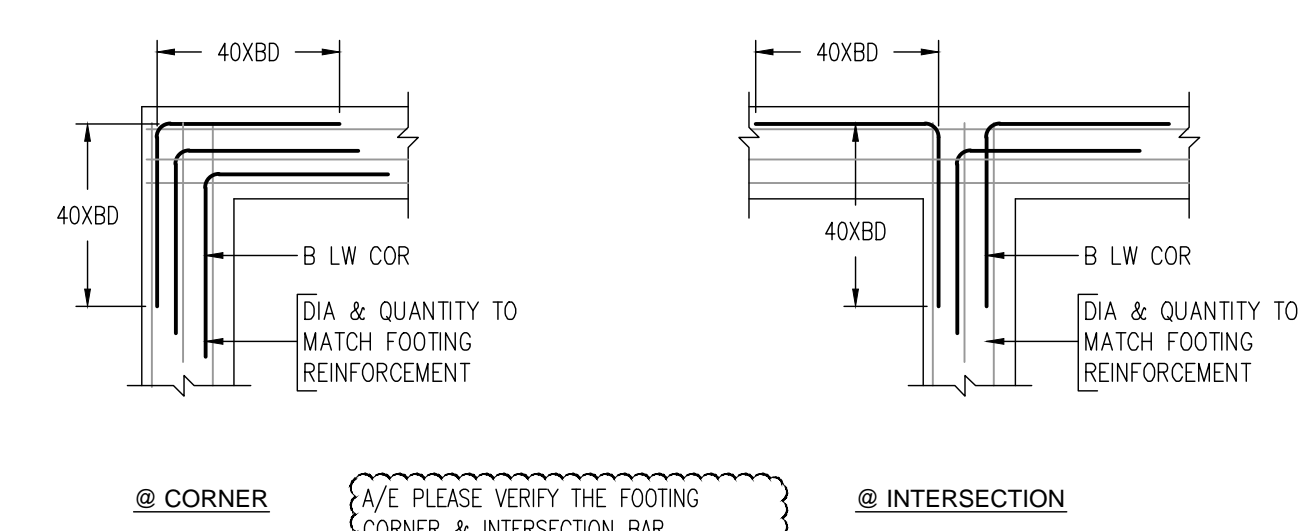
ABBREVIATIONS

TOP	T
BOTTOM	BOT/B
TOP&BOTTOM	T&B
INTERSECTION BAR	INTER
CORNER BAR	COR
VERTICAL	VERT/V
HORIZONTAL	HOR/H
EACH FACE	EF
INNER FACE	IF
OUTER FACE	OF
EACH SIDE	ES
EACH END	EE
DOWEL	DWLS
DOWEL/VERTICAL	D/V
EACH WAY	EW
LONG WAY	LW
SHORT WAY	SW
DRILL & EPOXY	D&E
VERIFY IN FIELD	V.I.F

ALL BARS ARE ASTM A615 GRADE 60 BLACK



ELEVATION A
SCALE: 1/2" = 1'-0"
REF: 1/S - 201.00
CONCRETE WALL REINFORCING ONLY

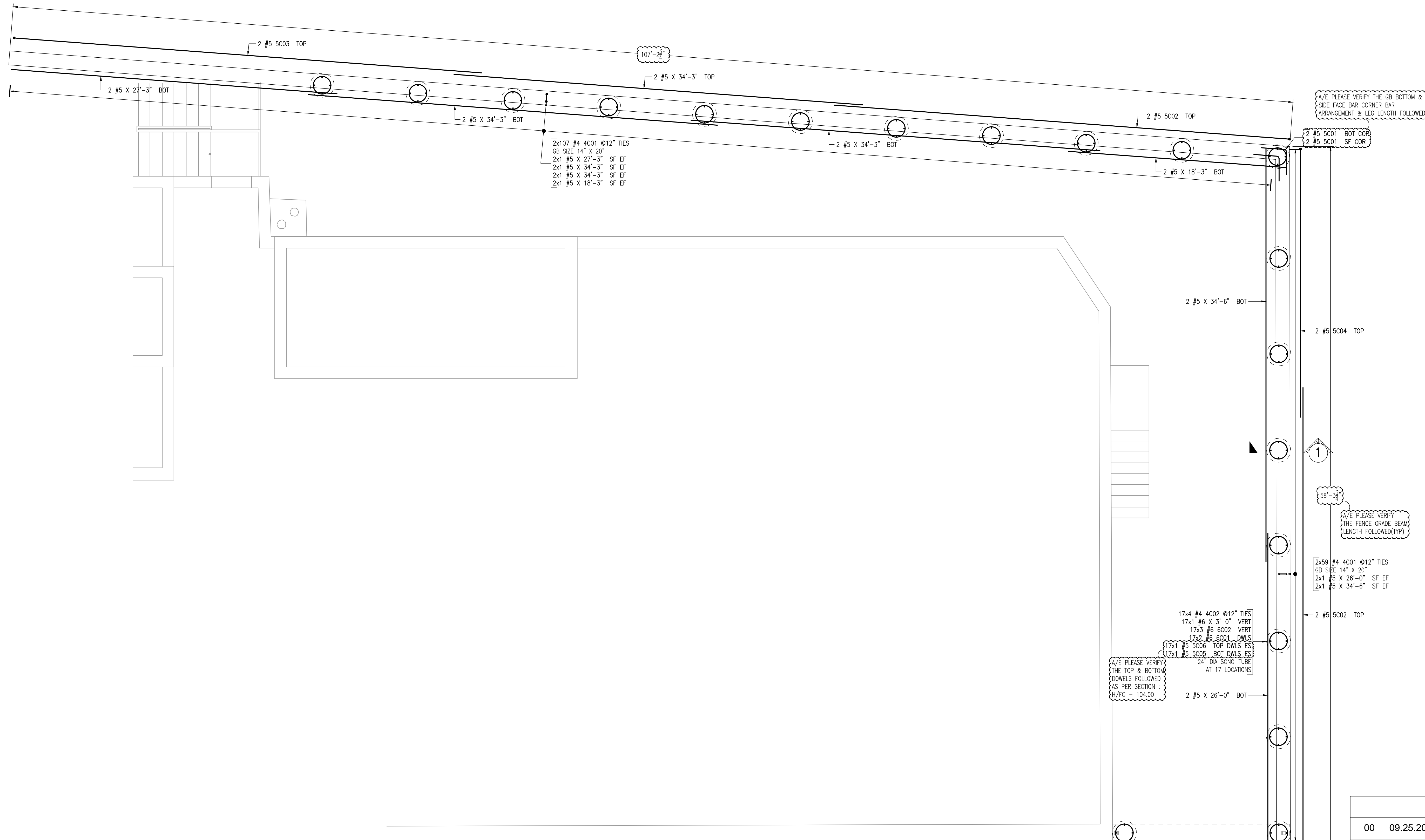


TYPICAL FOOTING CORNER & INTERSECTION DETAILS
SCALE: 1/2" = 1'-0"

Release Number: RS

Bar Mark	Qty	Size	Total Length	Type	X'	Y'	Z'	Y'	Y'	Y'	Y'	Y'	Y'	Y'
4807	3	#4	10'-8"	3	2'-0"	8'-8"								
4808	5	#4	5'-11"	13	0'-4"	8'-4"								
5804	2	#5	4'-2"	2	0'-10"	3'-9"								
5807	2	#5	6'-2"	2	0'-10"	5'-4"								
5808	1	#5	7'-8"	2	0'-10"	6'-10"								
5809	1	#5	9'-2"	2	0'-10"	8'-5"								
5810	1	#5	10'-9"	2	0'-10"	9'-11"								
5811	1	#5	12'-1"	2	0'-10"	11'-5"								
5814	1	#5	8'-5"	2	0'-10"	7'-5"								
5815	1	#5	7'-9"	2	0'-10"	6'-11"								
5816	1	#5	7'-2"	2	0'-10"	6'-4"								
5817	1	#5	6'-8"	2	0'-10"	5'-10"								
5818	1	#5	5'-7"	2	0'-10"	4'-9"								
5819	1	#5	5'-1"	2	0'-10"	4'-3"								
5820	3	#5	8'-4"	2	0'-10"	7'-6"								
5821	11	#5	3'-4"	11	0'-5"	2'-11"								
5822	3	#5	14'-1"	2	0'-10"	12'-5"								

REV.	DATE	DESCRIPTION	CHK	DTL
00	09.25.20	FOR APPROVAL		
PAINT OR FINISH		HOLES		
		WELD SPECS		
TITLE - SANCTUARY PART FTIG, SOG & CONC. WALL SECTION DETAIL				
JOB NAME: LAGREE BAPTIST CHURCH				
LOCATION - 844 ST ANN'S AVENUE BRONX, NEW YORK 10456		JOB NO. 001	SHEET NO. R5	



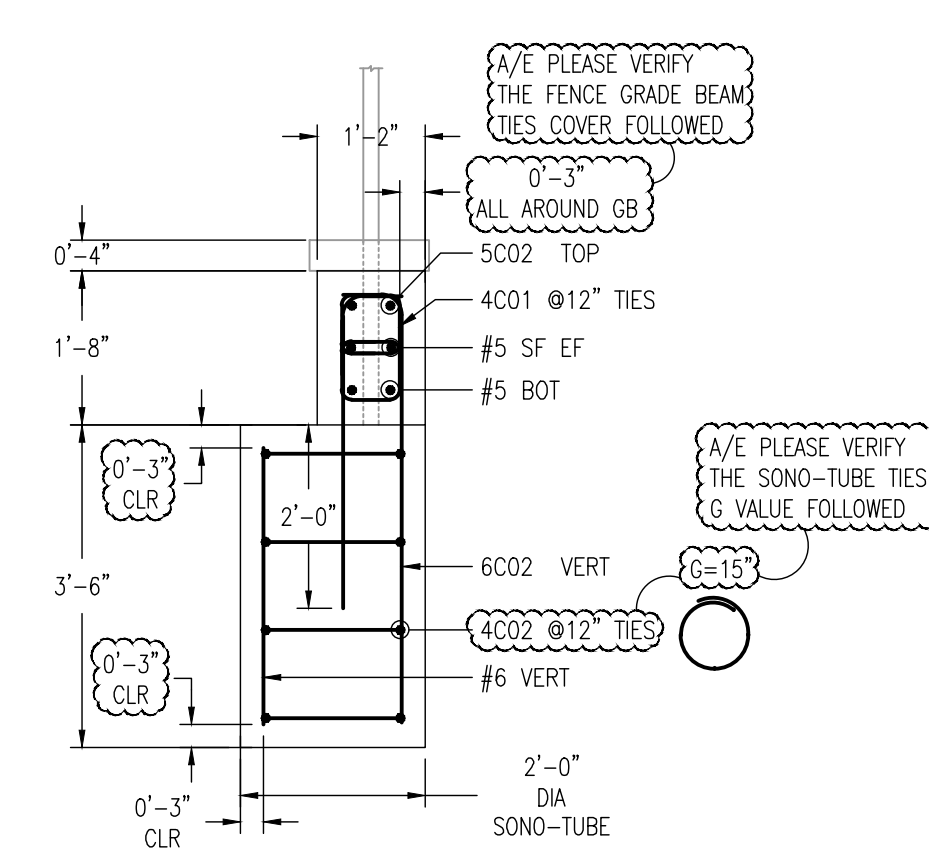
- NOTES:-**
- TYPICAL CLEARANCES FOR GRADE BEAM
 - A) BOTTOM & SIDES - 3"
 - B) TOP - 3"
 - C) END - 3"
 - FOR SONO-TUBE
 - A) FOR TIES - 3"
 - B) TOP - 3"
 - C) BOTTOM - 3"
2. A/E PLEASE VERIFY THE ALL CLOUDED ITEMS
 3. PROVIDE FIELD CUT AS REQUIRED LOCATIONS
 4. BARS TO BE PLACED AT EQUAL SPACING U.O.N.
 5. TILT HOOK TO ACCOMMODATE THE COVER, IF NEED

ALL BARS ARE ASTM A615 GRADE 60 BLACK

LAP SCHEDULE	
REF: (C.4/S-100.00)	
FOR CONCRETE	
SIZE	40 X BD
#3	15"
#4	20"
#5	25"
#6	30"
#7	35"
#8	40"

A/E PLEASE VERIFY THE CONCRETE LAP DETAIL FOLLOWED. (TYP)

ABBREVIATIONS	
TOP	T
BOTTOM	BOT/B
TOP&BOTTOM	T&B
INTERSECTION BAR	INTER
CORNER BAR	COR
VERTICAL	VERT/V
HORIZONTAL	HOR/H
EACH FACE	EF
INNER FACE	IF
OUTER FACE	OF
EACH SIDE	ES
EACH END	EE
DOWEL	DWLS
DOWEL/VERTICAL	D/V
EACH WAY	EW
LONG WAY	LW
SHORT WAY	SW
DRILL & EPOXY	D&E
VERIFY IN FIELD	V.I.F



SECTION 1
 SCALE: 1/2" = 1'-0"
 REF: H-1/FO - 104.00

SITE FENCE GRADE BEAM & SONO-TUBE REINFORCEMENT DETAIL
 SCALE: 1/4" = 1'-0"
 REF: FO - 104.00

Release Number: 06		BAR LIST												
Bar Mark	Qty	Size	Total Length	Type	X	Y	Z	W	V	U	T	S	R	Q
4001	332	#4	3'-5 1/2	T2	0'-4 1/2	0'-8"	0'-8"	0'-8"	0'-8"	0'-4 1/2				
4002	76	#4	5'-11 1/2	T3						4'-8 1/2			1'-5"	1'-6"
5001	4	#5	4'-2 1/2	3						2'-1 1/2				
5002	4	#5	30'-0"	2	0'-10"	38'-0"							0'-1 1/2	2'-2 1/2
5003	2	#5	40'-0"	2	0'-10"	38'-0"								
5004	2	#5	23'-3"	2	0'-10"	22'-5"								
5005	35	#5	3'-2"	2	0'-10"	2'-4"								
5006	35	#5	4'-3"	2	0'-10"	3'-5"								
6001	36	#6	4'-1 1/2	17	0'-8"	0'-8"				3'-5"				
6002	54	#6	5'-4 1/2	17	0'-8"	4'-8"								

00	09.25.20	FOR APPROVAL		
REV.	DATE	DESCRIPTION	CHK	DTL
PAINT OR FINISH		HOLES		
		WELD SPECS		
TITLE - SITE FENCE GRADE BEAM & SONO-TUBE REINFORCEMENT DETAIL				
JOB NAME: LAGREE BAPTIST CHURCH				
LOCATION -	844 ST ANN'S AVENUE BRONX, NEW YORK 10456	JOB NO. 001	SHEET NO. R6	