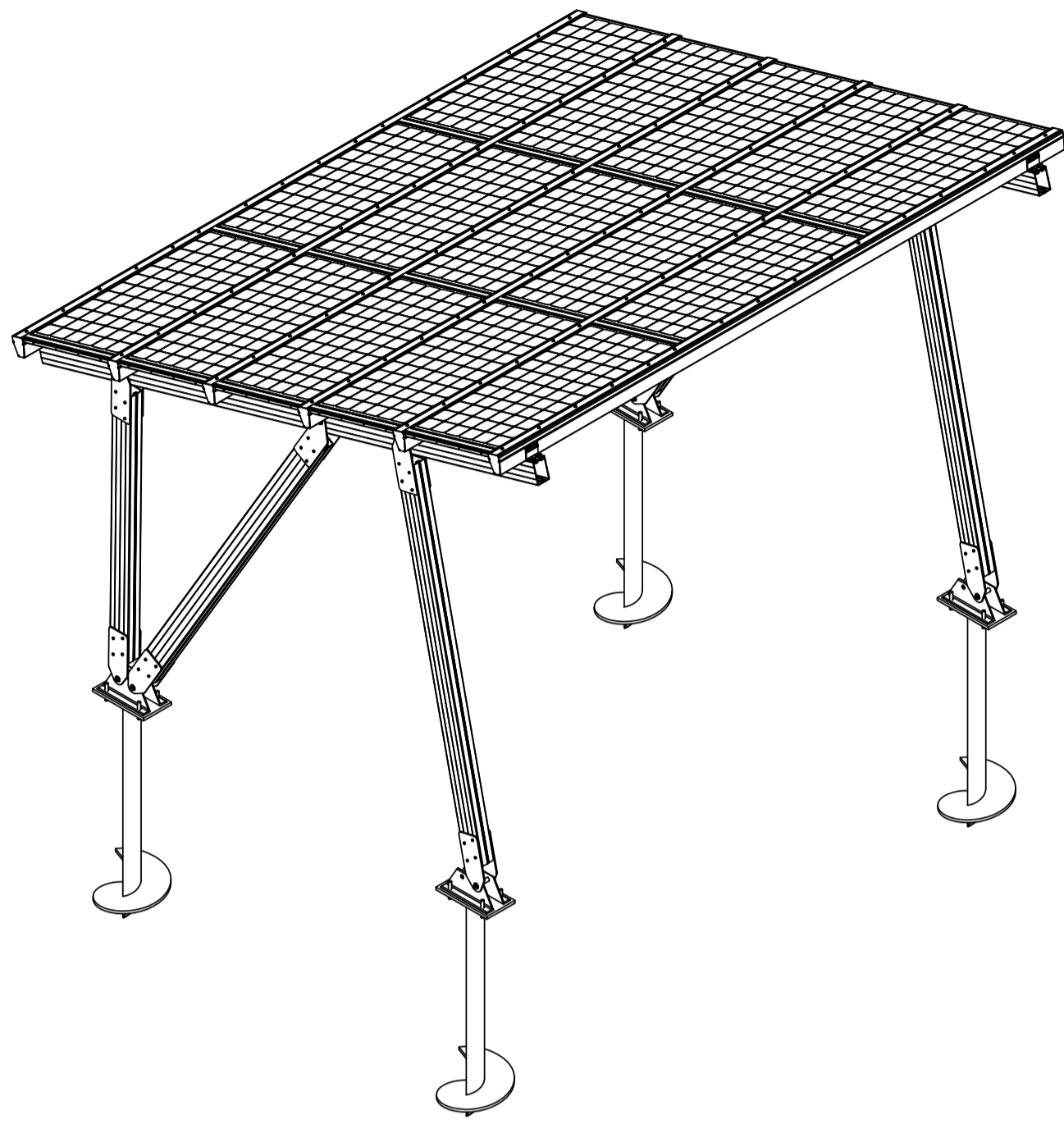
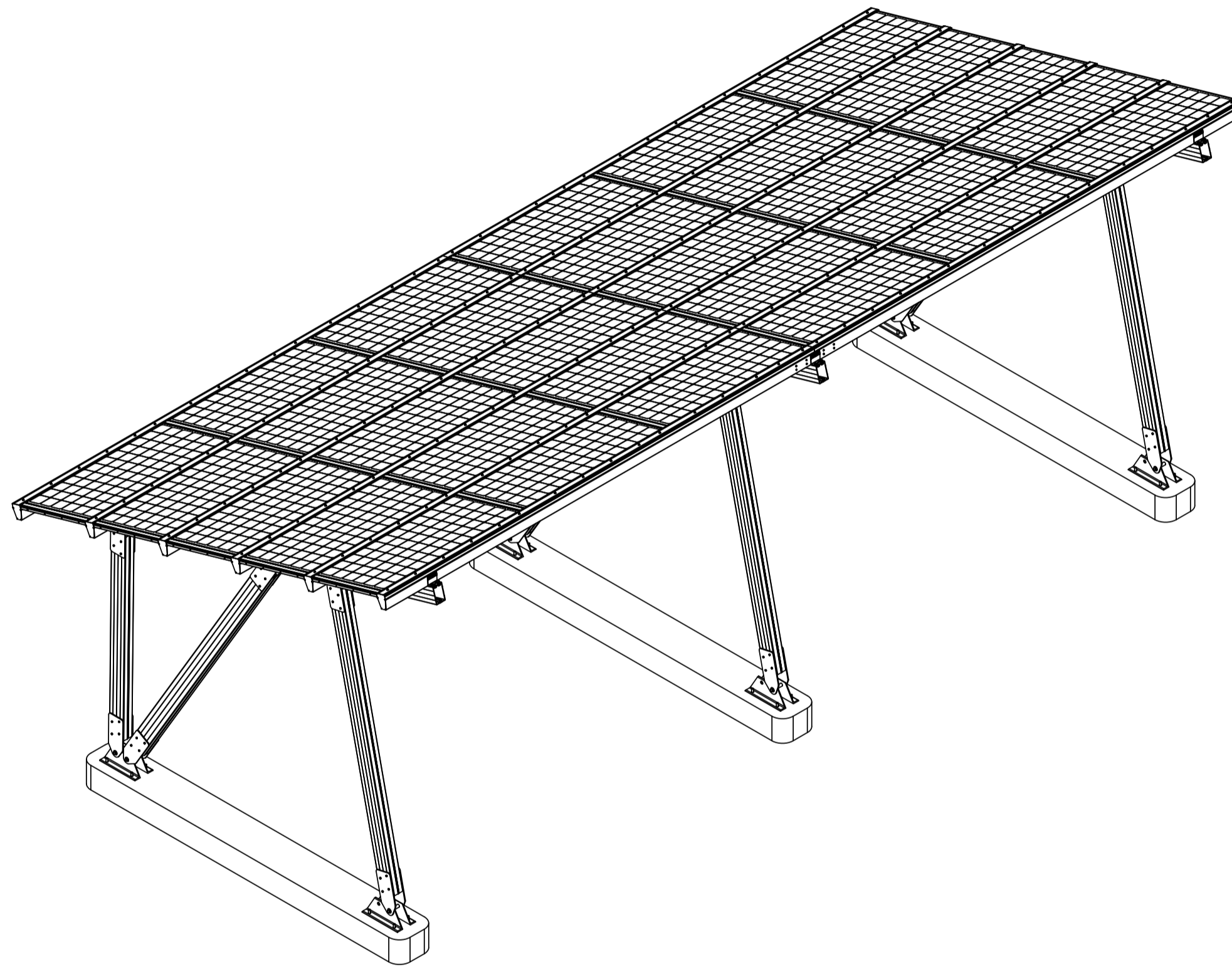


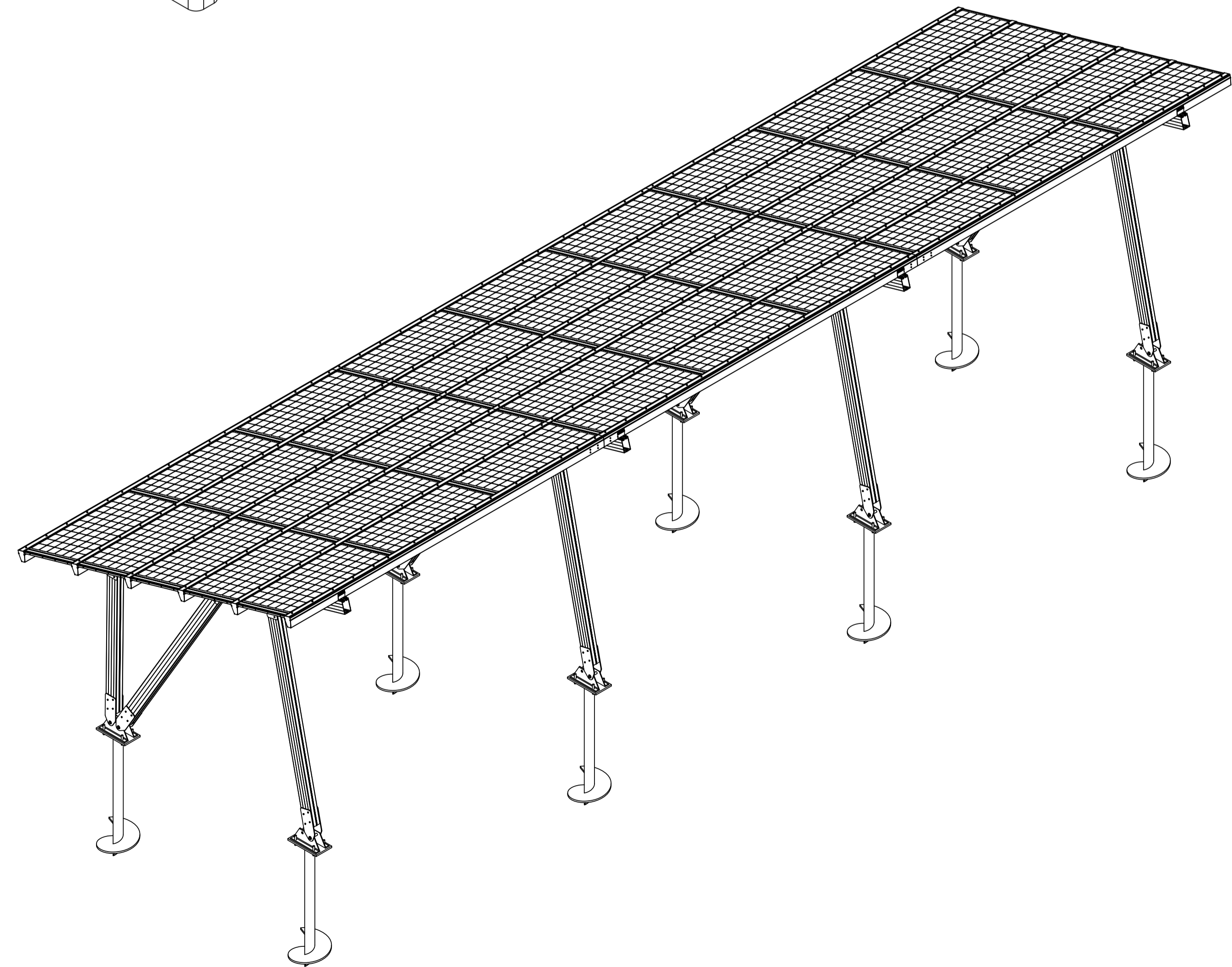
SP-AN-16D-P-PRM01-CPR6-CPR1-2P



SP-AN-16D-P-PRM01-CPR6-CPR1-4P



SP-AN-16D-P-PRM01-CPR6-CPR1-6P



**Notice**  
 All rights reserved. All information contained in this document remains the sole property of Opsun. This document may not be copied, printed, replicated, or in any way, including by any electronic means, reproduced, in whole or in part, without the written permission from Opsun. No liability is assumed by Opsun for any errors or omissions. Any change made to the present information, or if any missing information is detected, Opsun does not offer any warranty concerning the structural integrity of the building, the integrity of which has always been the responsibility of the structural engineer. Any modifications or alterations made to the approved design without Opsun's specifications have no liability on Opsun. Opsun's specifications have been reviewed and approved in writing, by Opsun. No warranty is provided or implied by Opsun with respect to, and Opsun shall not be held responsible for, the accuracy, completeness or the reliability of any software, hardware, or other information supplied by Opsun. Do not scale the drawing. By accepting this document, the client understands and agrees in full agreement with the above statement.

**Note**

NOT FOR CONSTRUCTION

**Revision**

Rev.#	Review	Date

**Array Information**

Type of Mounting: SP  
 Panel Model: PRISM BN72xxx B5TC  
 Tilt Angle : 16°  
 Panel Qty :  
 DC Size : kW

**Customer Info**

Phone:  
 Email:

**Project Info**

Project Name:  
 Project Number:  
 Project Address:

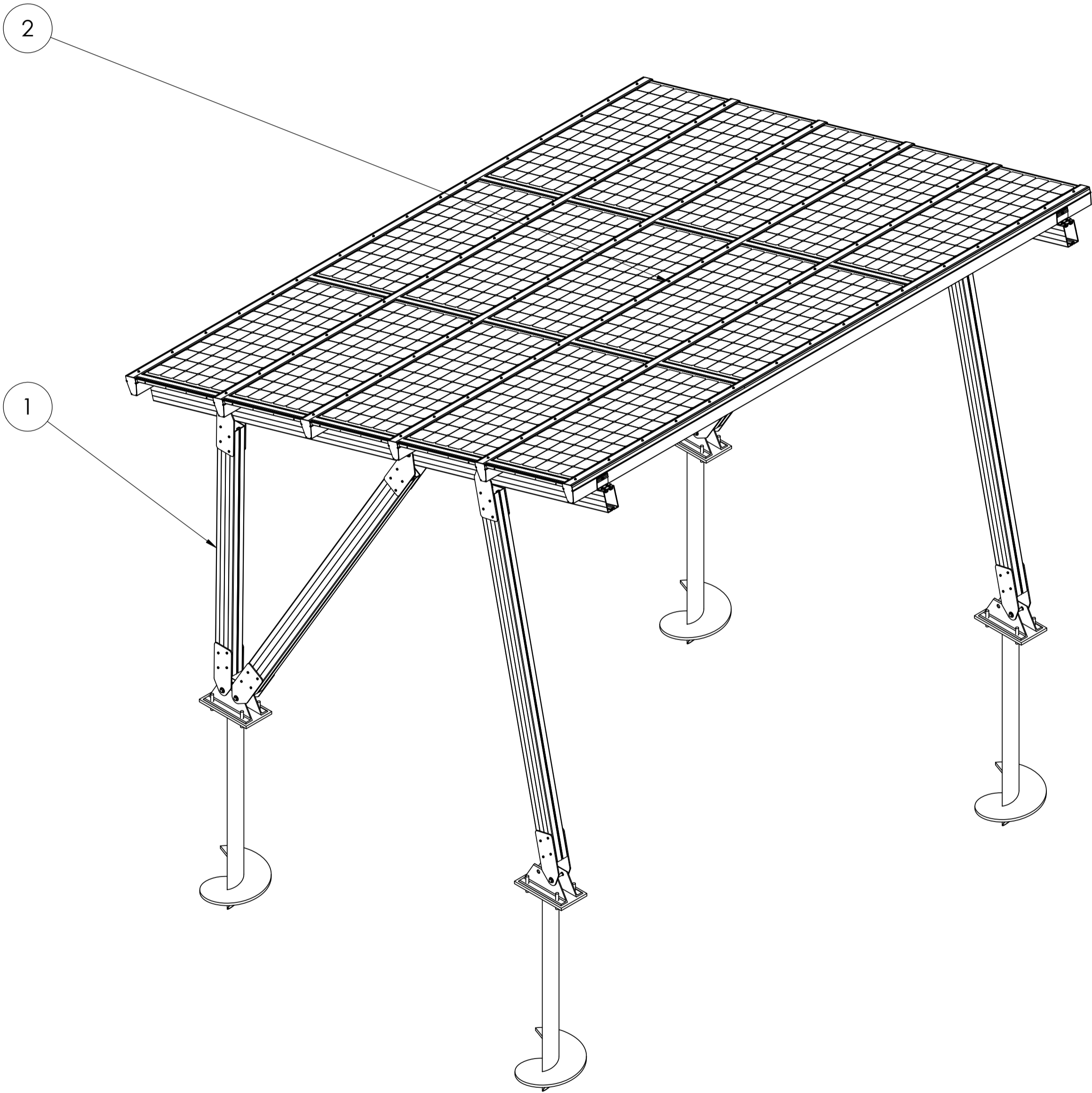
**Title**

PRESENTATION

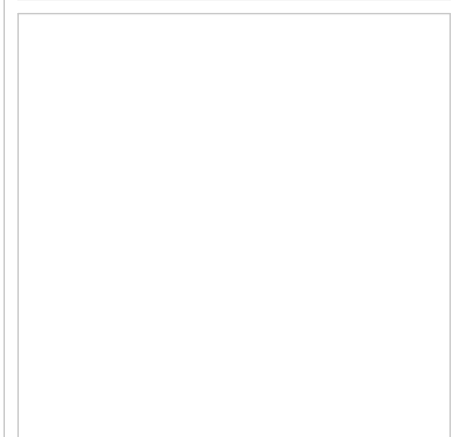
Drawn By: MD	Check By:
Drawn Date: 2021-11-11	Rev 01
Scale: 1:48	Page: PV0.001

PROJECT	ITEM NO.	PART NUMBER	DESCRIPTION	QTY.
02-Sub Assembly	1	A-SP-CPR1-16D-LEG-SPV	Leg Sub Assembly 16D SPV	2
02-Sub Assembly	2	SP-P-PRM01-CPR6-3x5	Sun Port Top Assembly 3x5 PV	1

All rights reserved. All information contained in this document remains the sole property of Opsun. This document may not be copied, printed, or reproduced in any form, including any electronic means, reproduced, in whole or in part, without the express written permission from Opsun, Inc. or its affiliate. Opsun reserves the right to make any changes to the present information, or if any missing information is detected. Opsun does not offer any warranty concerning the structural integrity of the building, the integrity of which has been established by the Structural Engineer. Any modifications or alterations made to the approved design without Opsun's approval in writing, by Opsun, its warranty is provided or implied by Opsun with respect to any claims that may be filed against it, the engineer, or the contractor for the installation of such mounting. Do not scale the drawing. By accepting this document, the client understands and agrees that it has agreed to the above statement.



**Notice**  
 All rights reserved. All information contained in this document remains the sole property of Opsun. This document may not be copied, printed, or reproduced in any form, including any electronic means, reproduced, in whole or in part, without the express written permission from Opsun, Inc. or its affiliate. Opsun reserves the right to make any changes to the present information, or if any missing information is detected. Opsun does not offer any warranty concerning the structural integrity of the building, the integrity of which has been established by the Structural Engineer. Any modifications or alterations made to the approved design without Opsun's approval in writing, by Opsun, its warranty is provided or implied by Opsun with respect to any claims that may be filed against it, the engineer, or the contractor for the installation of such mounting. Do not scale the drawing. By accepting this document, the client understands and agrees that it has agreed to the above statement.



**Note**

**NOT FOR CONSTRUCTION**

**Revision**

Rev. #	Review	Date

**Array Information**  
 Type of Mounting: SP  
 Panel Model: PRISM BN720xx B5TC  
 Tilt Angle : 16°  
 Panel Qty :  
 DC Size : kW

**Customer Info**

Phone:  
 Email:

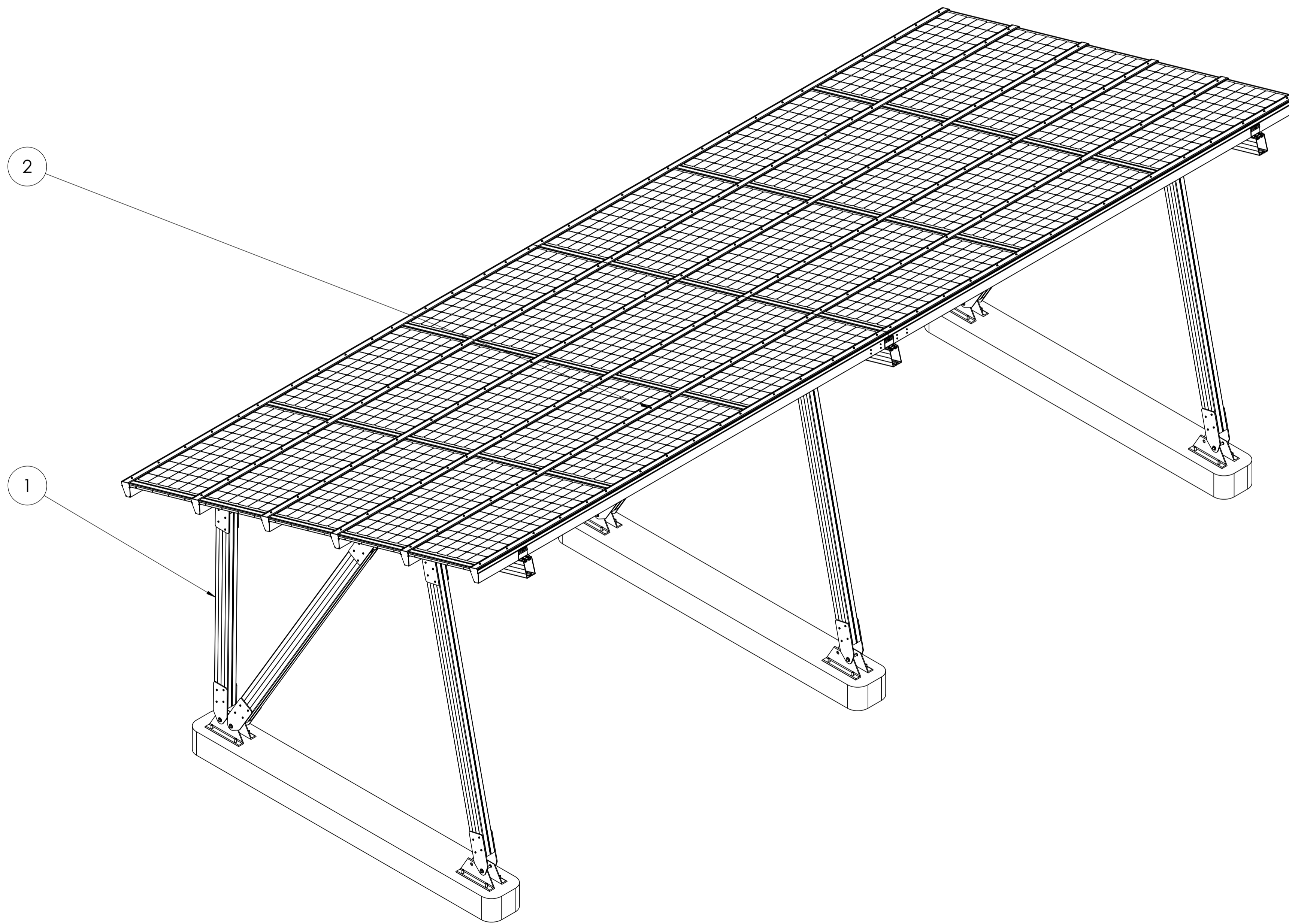
**Project Info**  
 Project Name:  
 Project Number:  
 Project Address:

Title  
 BILL OF MATERIAL 2P

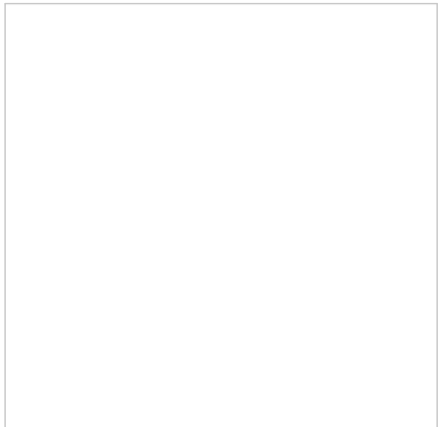
Drawn By: MD	Check By:
Drawn Date: 2021-11-11	Rev 01
Scale: 1:30	Page: PV0.111

PROJECT	ITEM NO.	PART NUMBER	DESCRIPTION	QTY.
02-Sub Assembly	1	A-SP-CPR1-16D-LEG-SPV	Leg Sub Assembly 16D SPV	3
02-Sub Assembly	2	SP-P-PRM01-CPR6-6x5	Sun Port Top Assembly 6x5 PV	1

**SP-AN-16D-P-PRM01-CPR6-CPR1-4P**



**Notice**  
 All rights reserved. All information contained in this document remains the sole property of Opsun. This document may not be copied, printed, reproduced, or in any way, including by any electronic means, reproduced, in whole or in part, without explicit written permission from Opsun. Infringement of this notice is a criminal offense. If any change is made to the present information, or if any missing information is detected, please contact your sales representative. Opsun is not responsible for the structural integrity of the building, the integrity of which has been verified by a structural engineer. Any modifications or alterations made to the approved design without Opsun's approval in writing, by Opsun, its warranty is provided or modified by Opsun with respect to the above and the user shall be held responsible for the safety and stability of the building and the safety of the roof to support the installation of such racking. Do not scale this drawing. By accepting this document, the client understands and agrees to the agreement with the above statement.



**Note**

**NOT FOR CONSTRUCTION**

**Revision**

Rev.#	Review	Date

**Array Information**

Type of Mounting:	SP
Panel Model:	PRISM BN720xx BSTC
Tilt Angle :	16 °
Panel Qty :	
DC Size :	kW

**Customer Info**

Phone:

Email:

**Project Info**

Project Name:

Project Number:

Project Address:

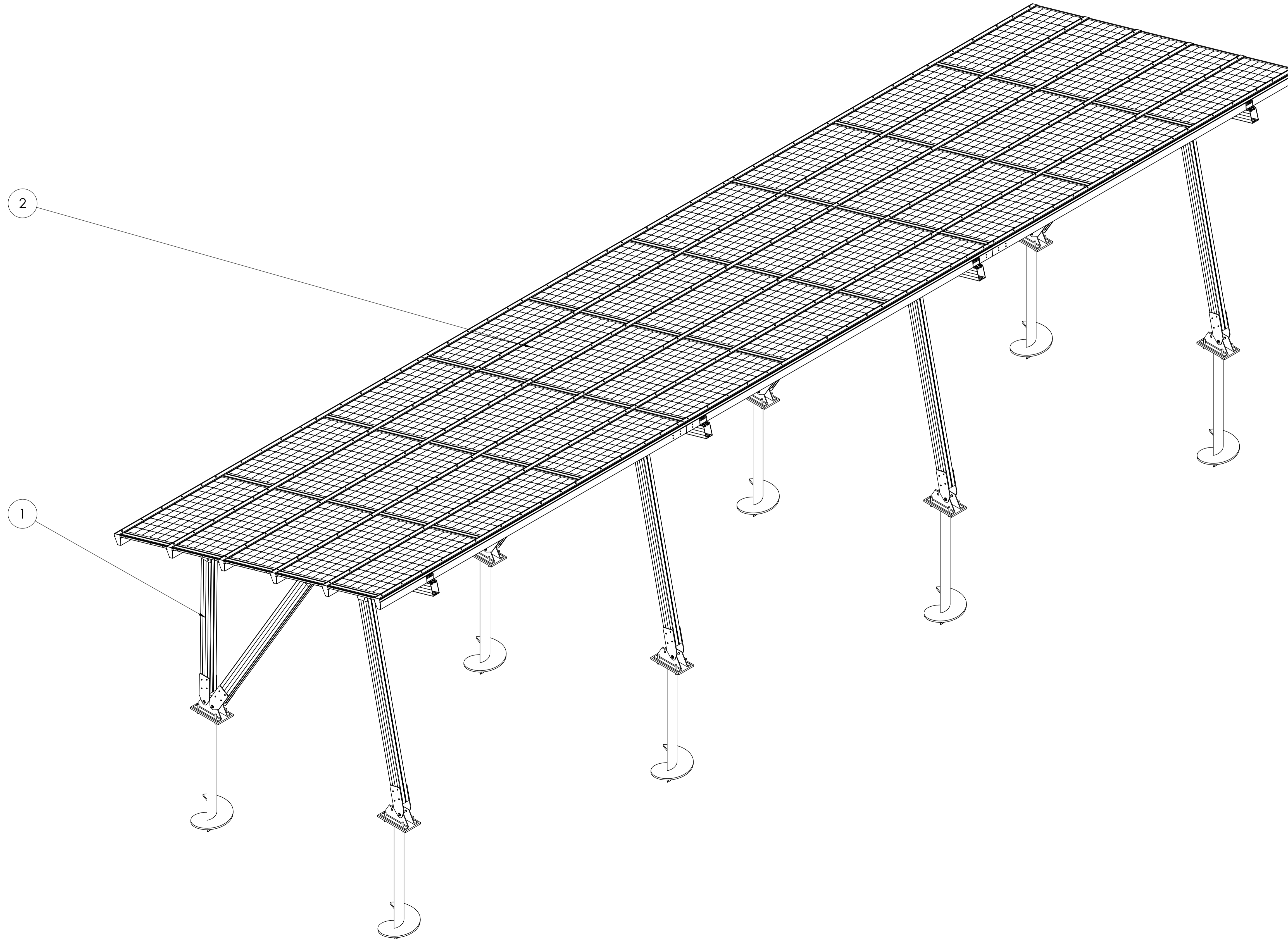
Title  
**BILL OF MATERIAL 4P**

Drawn By:	Check By:
MD	
Drawn Date:	Rev
2021-11-11	01
Scale:	Page:
1:30	PV0.112

PROJECT	ITEM NO.	PART NUMBER	DESCRIPTION	QTY.
02-Sub Assembly	1	A-SP-CPR1-16D-LEG-SPV	Leg Sub Assembly 16D SPV	4
02-Sub Assembly	2	SP-P-PRM01-CPR6-9x5	Sun Port Top Assembly 9x5 PV	1

All rights reserved. All information contained in this document remains the sole property of Opsun. This document may not be copied, printed, reprinted, or otherwise used in any form without the prior written permission from Opsun. Any modifications or alterations made to the present information, or if any missing information is detected, Opsun does not offer any warranty concerning the structural integrity of the building, the integrity of which has solely on behalf of the Structural Engineer. Any modifications or alterations made to the approved design shall not be approved in writing by Opsun. No warranty is provided or implied by Opsun with respect to, and Opsun shall not be held responsible for, the accuracy, completeness, or timeliness of any roof assembly, including or including the building, and suitability of the roof to support the installation of such racking. Do not scale the drawing. By accepting this document, the client understands and agrees in full agreement with the above statement.

### SP-AN-16D-P-PRM01-CPR6-CPR1-6P



**Notice**  
 All rights reserved. All information contained in this document remains the sole property of Opsun. This document may not be copied, printed, reprinted, or otherwise used in any form without the prior written permission from Opsun. Any modifications or alterations made to the present information, or if any missing information is detected, Opsun does not offer any warranty concerning the structural integrity of the building, the integrity of which has solely on behalf of the Structural Engineer. Any modifications or alterations made to the approved design shall not be approved in writing by Opsun. No warranty is provided or implied by Opsun with respect to, and Opsun shall not be held responsible for, the accuracy, completeness, or timeliness of any roof assembly, including or including the building, and suitability of the roof to support the installation of such racking. Do not scale the drawing. By accepting this document, the client understands and agrees in full agreement with the above statement.

**Note**

NOT FOR CONSTRUCTION

**Revision**

Rev.#	Review	Date

**Array Information**

Type of Mounting: SP  
 Panel Model: PRISM BN7200x BSTC  
 Tilt Angle : 16 °  
 Panel Qty :  
 DC Size : kW

**Customer Info**

Phone:  
 Email:

**Project Info**

Project Name:  
 Project Number:  
 Project Address:

Title: **BILL OF MATERIAL 6P**

Drawn By: MD	Check By:
Drawn Date: 2021-11-11	Rev 01
Scale: 1:30	Page: PV0.113

**Notice**  
 All rights reserved. All information contained in this document remains the sole property of Opsun. The document may not be copied, printed, reproduced, or stored in any way, including by any electronic means, in whole or in part, without the express written permission from Opsun. Any change or modification to the present information, or if any missing information is detected, Opsun does not offer any warranty concerning the structural integrity of the building, the integrity of which has safety on behalf of the structural engineer. Any modifications or alterations must be approved by the structural engineer. Any modifications or alterations must be approved in writing by Opsun. No warranty is provided or implied by Opsun with respect to any claim that may be made responsible for the integrity, suitability or any other aspect of the building, and suitability of the roof to support the installation of such mounting. Do not scale the drawing. By accepting this document, the client understands and agrees in full agreement with the above statement.

Note

NOT FOR CONSTRUCTION

Revision

Rev.#	Review	Date

Array Information

Type of Mounting: SP  
 Panel Model: PRISM BN72xxx BSTC  
 Tilt Angle : 16 °  
 Panel Qty : 15  
 DC Size : 5.7 kW

Customer Info

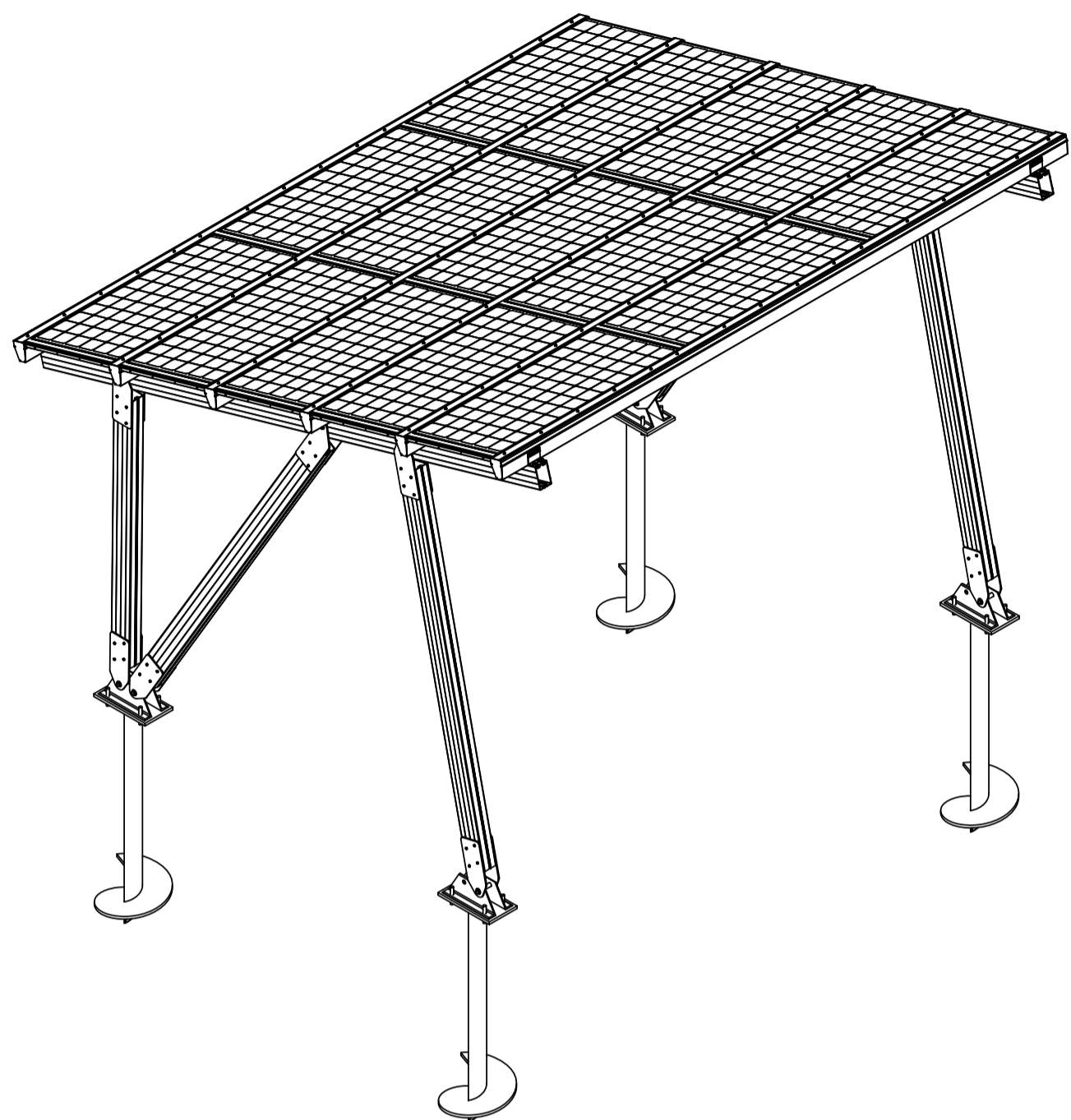
Phone:  
 Email:

Project Info

Project Name:  
 Project Number:  
 Project Address:

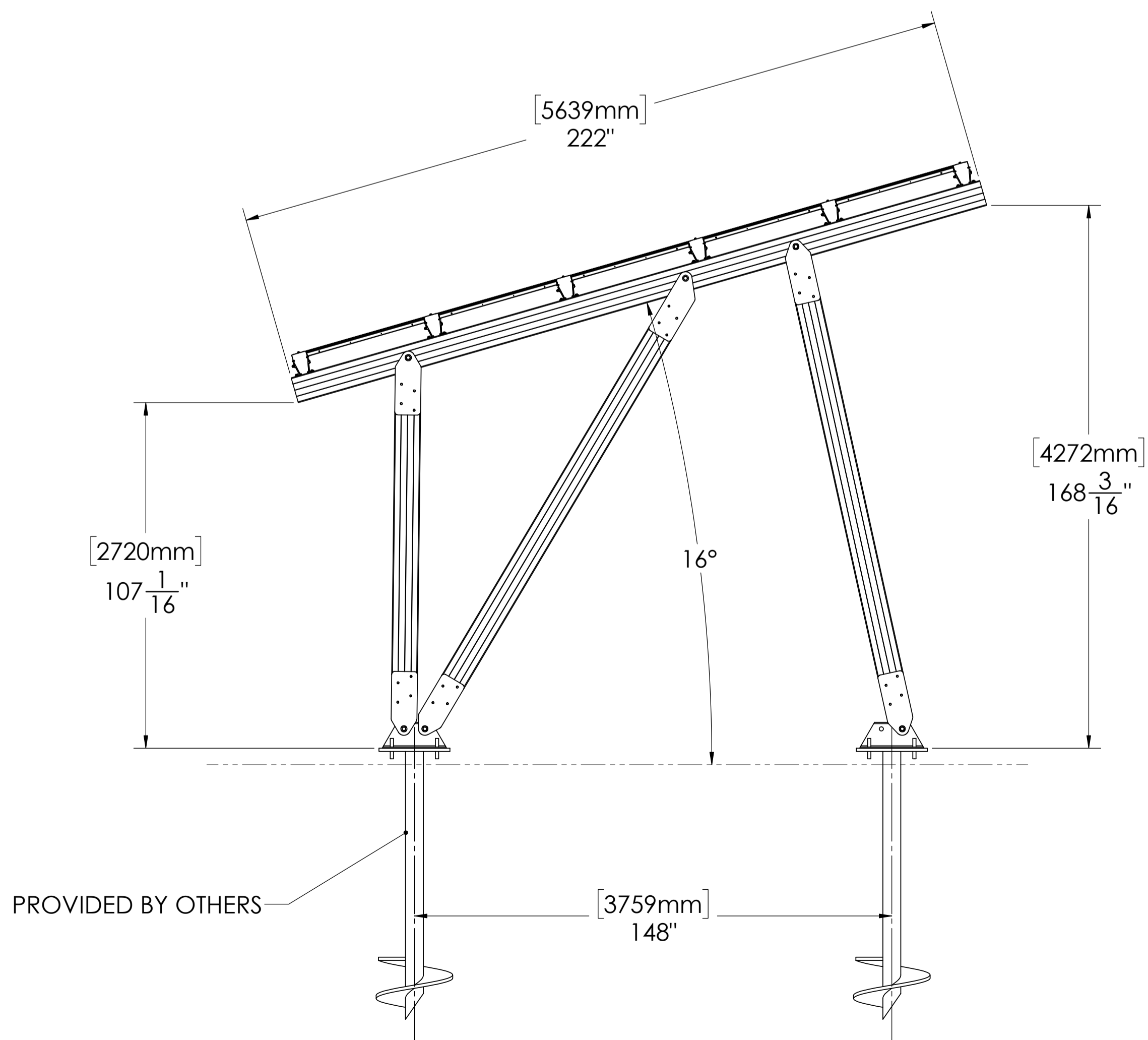
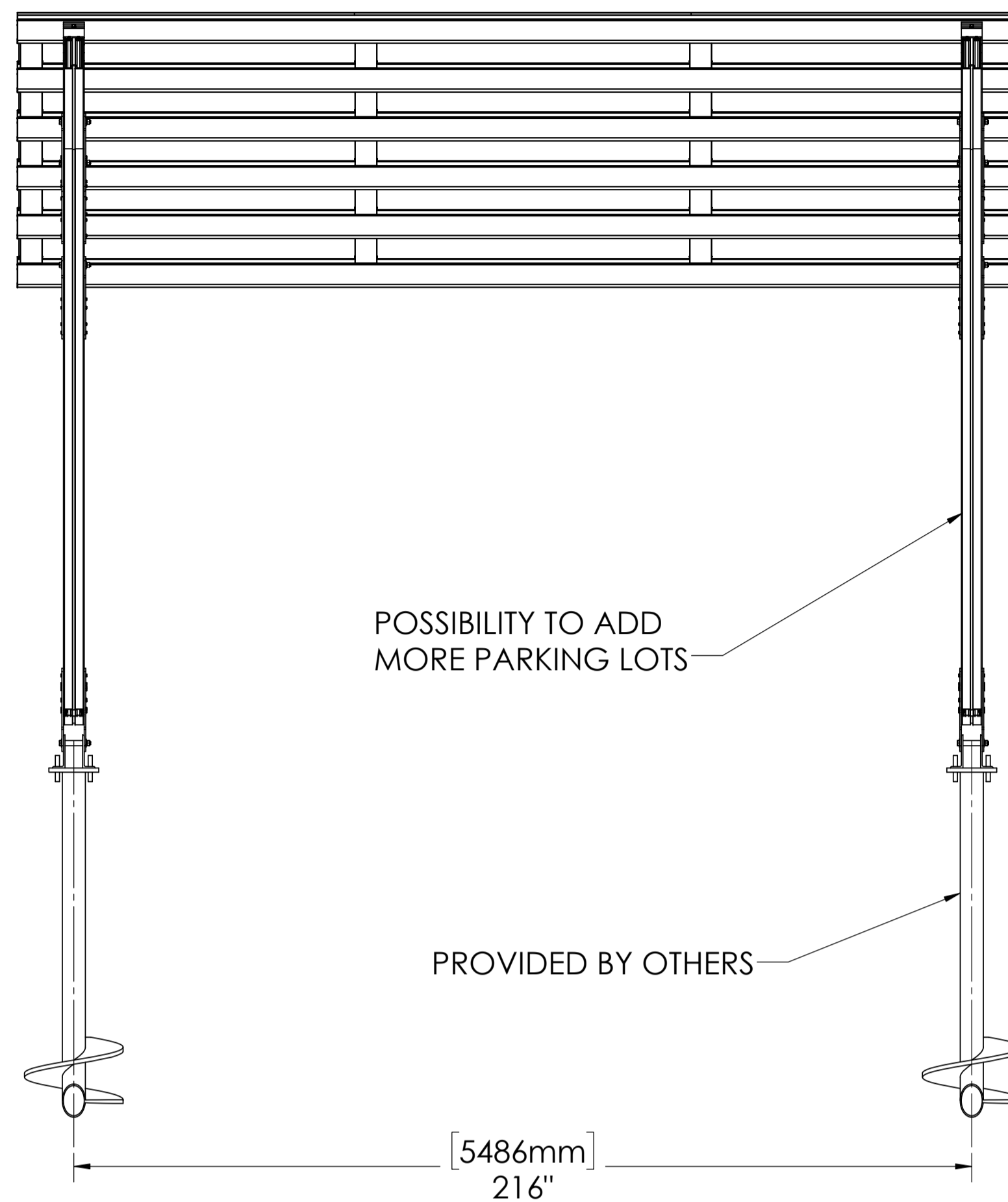
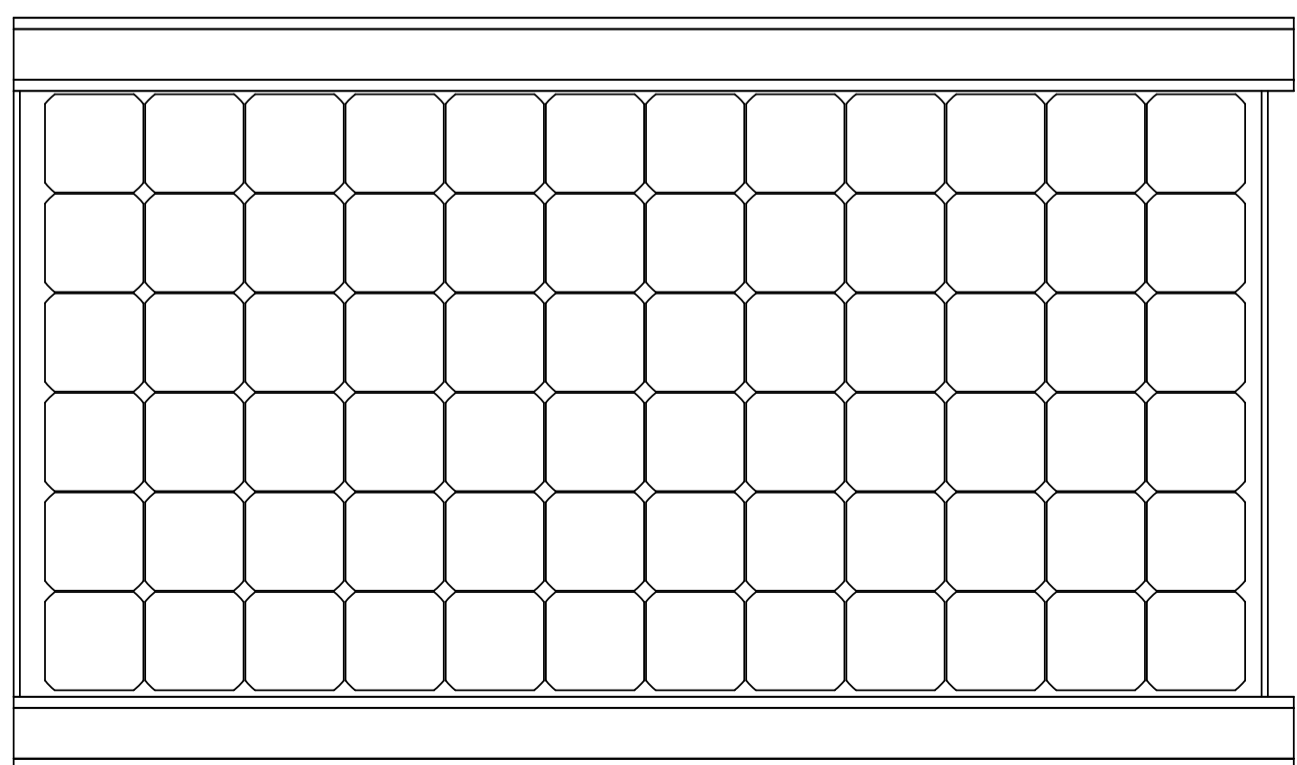
Title  
SYSTEM DETAILED

Drawn By: MD      Check By:  
 Drawn Date: 2021-11-11      Rev      01  
 Scale: 1:30      Page: PV1.301

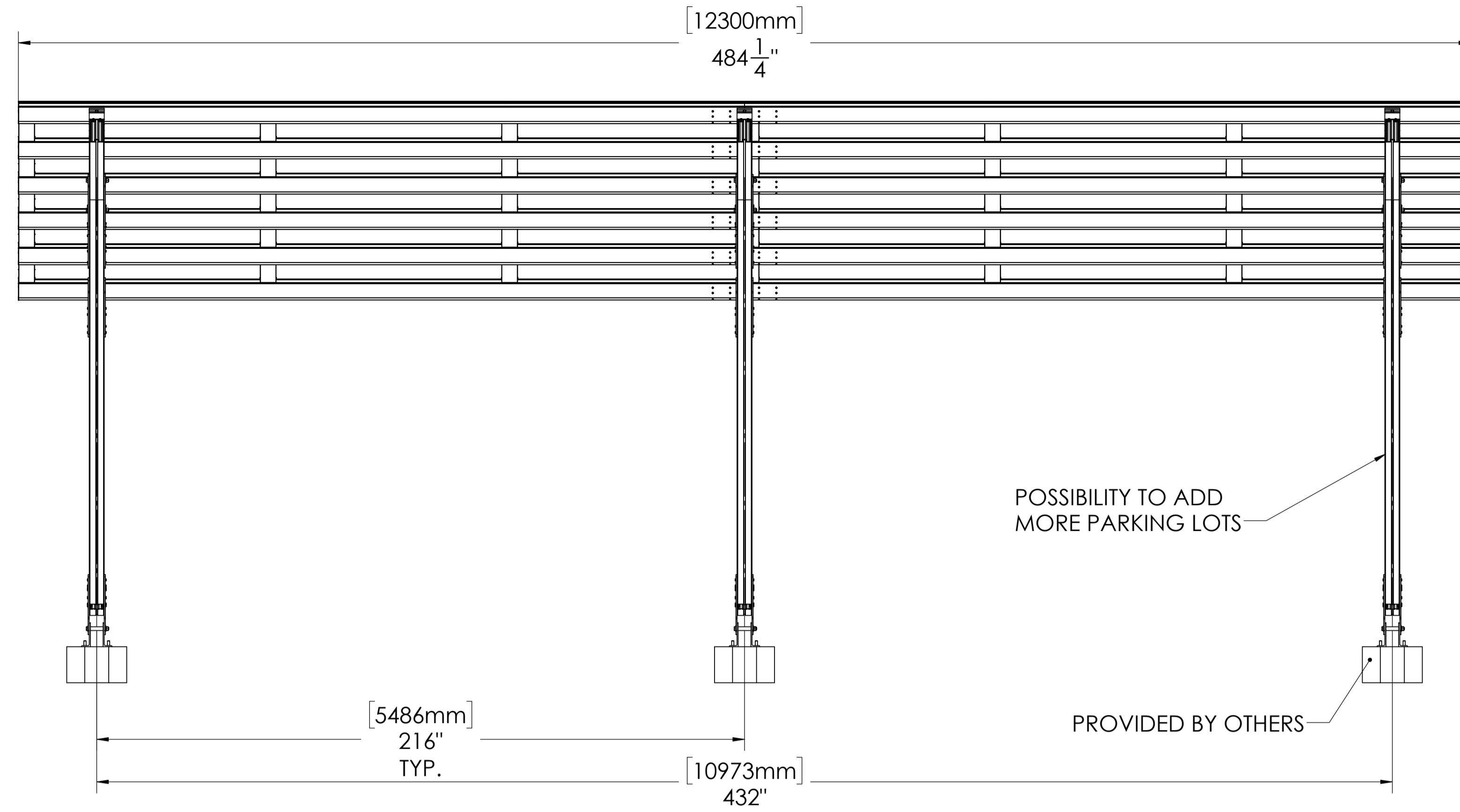


PV PANEL SPECIFICATIONS

MANUFACTURER : Prism Solar  
 MODEL: BN72-xxxBSTC  
 MASS: 33.5 KG ( 74 lb)  
 MAXIMUM MECHANICAL LOAD PRESSURE: 3.3 kPa /-2.55 kPa  
 DIMENSION (LxWxH) : 1991x989x7.2mm (78.39x38.94x0.28in)

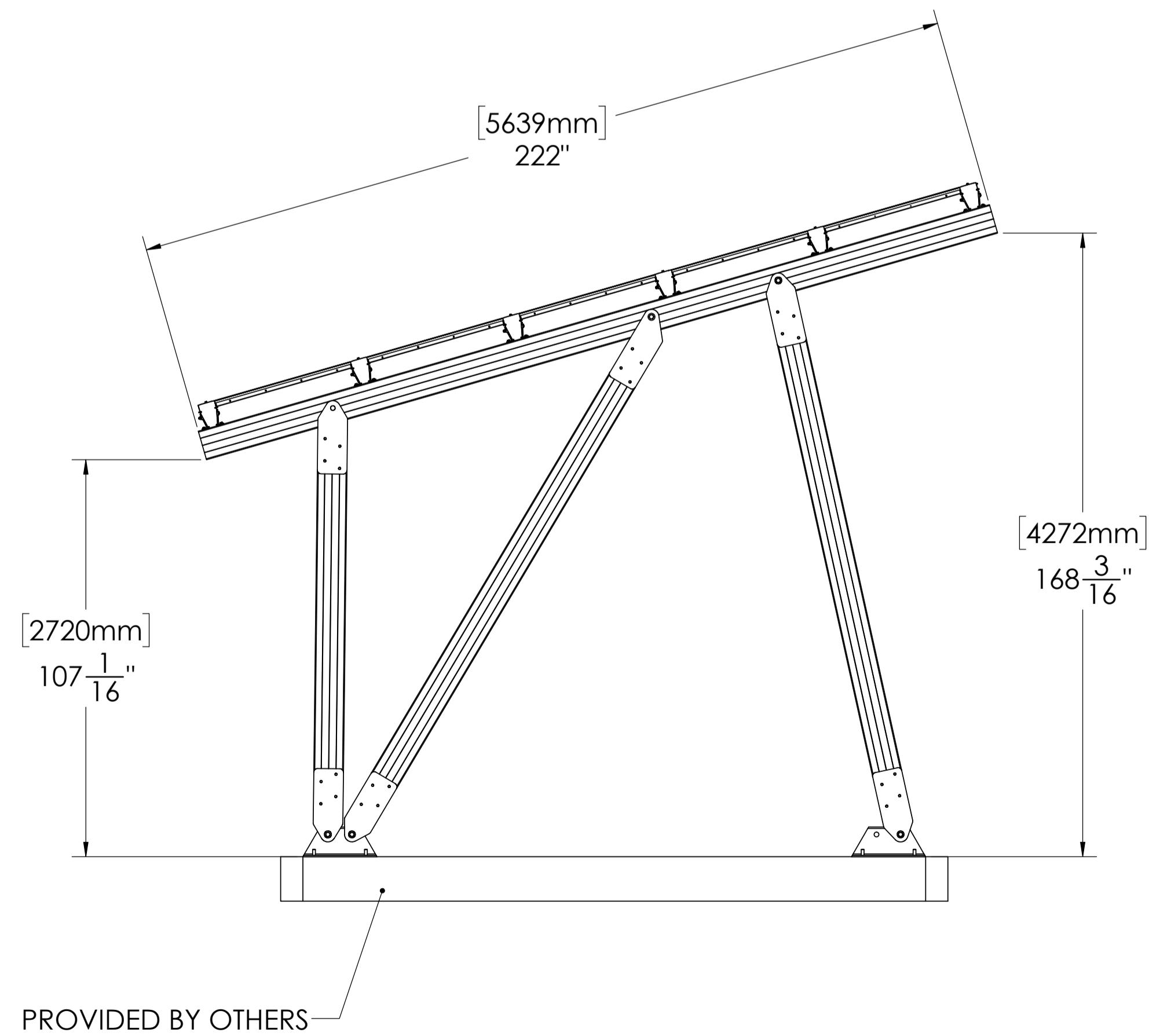
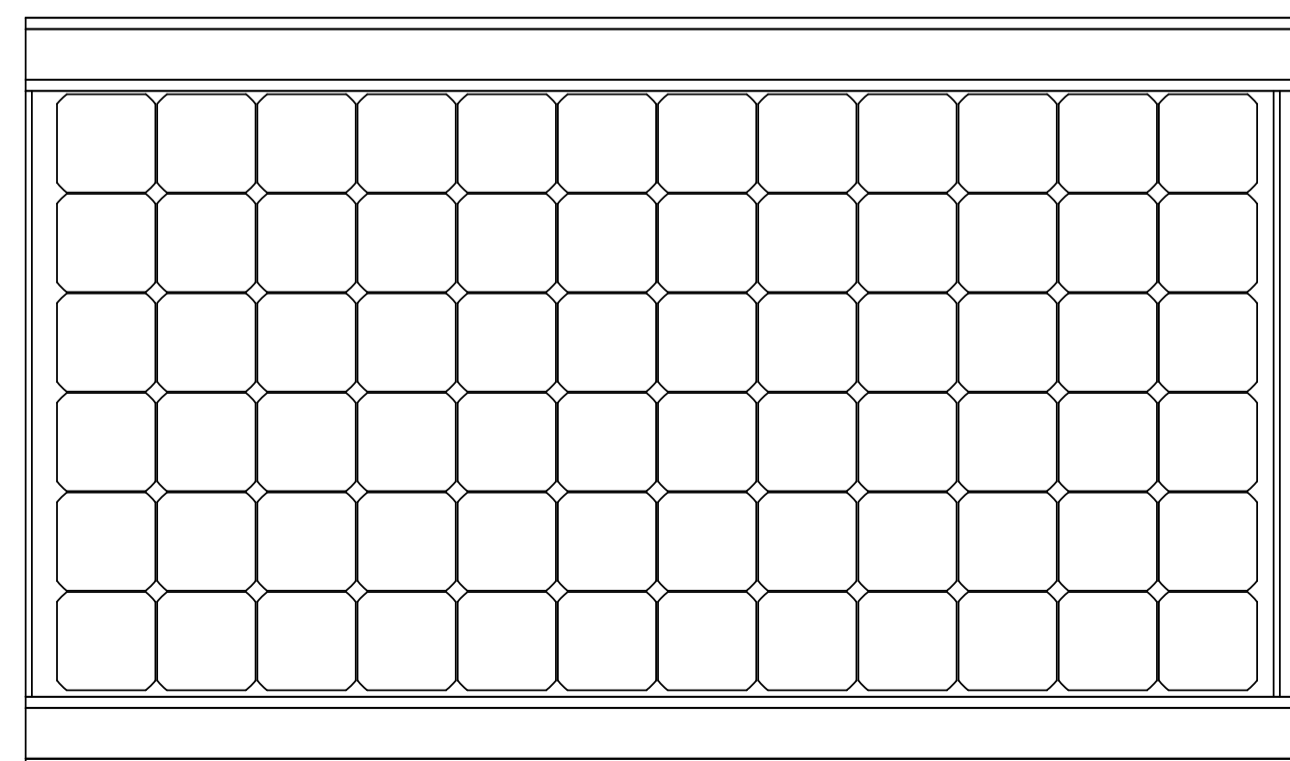


**Notice**  
All rights reserved. All information contained in this document remains the sole property of Opsun. This document may not be copied, printed, reproduced, or in any way, including by any electronic means, reproduced, in whole or in part, without express written permission from Opsun, including any modification to this notice. Any change of any change is made to the present information, or if any missing information is detected, Opsun does not offer any warranty concerning the structural integrity of the building, the integrity of which is solely on behalf of the structural engineer. Any modifications or alterations made to the approved design must be approved in writing by Opsun. No warranty is provided or implied by Opsun with respect to, and Opsun will not be held responsible for, the accuracy or reliability of the information, or the validity of any roof warranty, loading or anchoring of the building, and suitability of the roof to support the installation of such loading. Do not scale the drawing. By accepting this document, the client understands and agrees in full agreement with the above statement.



### PV PANEL SPECIFICATIONS

**MANUFACTURER :** Prism Solar  
**MODEL:** BN72-xxxBSTC  
**MASS:** 33.5 KG ( 74 lb)  
**MAXIMUM MECHANICAL LOAD PRESSURE:** 3.3 kPa /-2.55 kPa  
**DIMENSION (LxWxH) :** 1991x989x7.2mm (78.39x38.94x0.28in)



### Note

NOT FOR CONSTRUCTION

### Revision

Rev.#	Review	Date

### Array Information

Type of Mounting: SP  
Panel Model: PRISM BN72xxx BSTC  
Tilt Angle : 16 °  
Panel Qty : 30  
DC Size : 11.4 kW

### Customer Info

Phone:  
Email:

### Project Info

Project Name:  
Project Number:  
Project Address:

Title: SYSTEM DETAILED

Drawn By: MD	Check By:
Drawn Date: 2021-11-11	Rev 01
Scale: 1:30	Page: PV1.301

**Notice**  
 All rights reserved. All information contained in this document remains the sole property of Opsun. This document may not be copied, printed, scanned or in any way, including by any electronic means, reproduced, in whole or in part, without express written permission from Opsun. Any modifications made to the present information, or if any missing information is detected, Opsun does not offer any warranty concerning the structural integrity of the building, the integrity of which is solely on behalf of the structural engineer. Any modifications or alterations made to the approved design shall remain the responsibility of the client. Opsun does not accept any liability for the use of any software, hardware or any other equipment used in the design, and Opsun will not be held responsible for the use of any software, hardware or any other equipment used in the design. Do not scale the drawing. By accepting this document, the client understands and agrees in full agreement with the above statement.

**Note**

NOT FOR CONSTRUCTION

**Revision**

Rev.#	Review	Date

**Array Information**

Type of Mounting: SP  
 Panel Model: PRISM BN72xxx-BSTC  
 Tilt Angle : 16 °  
 Panel Qty : 45  
 DC Size : 17.1 kW

**Customer Info**

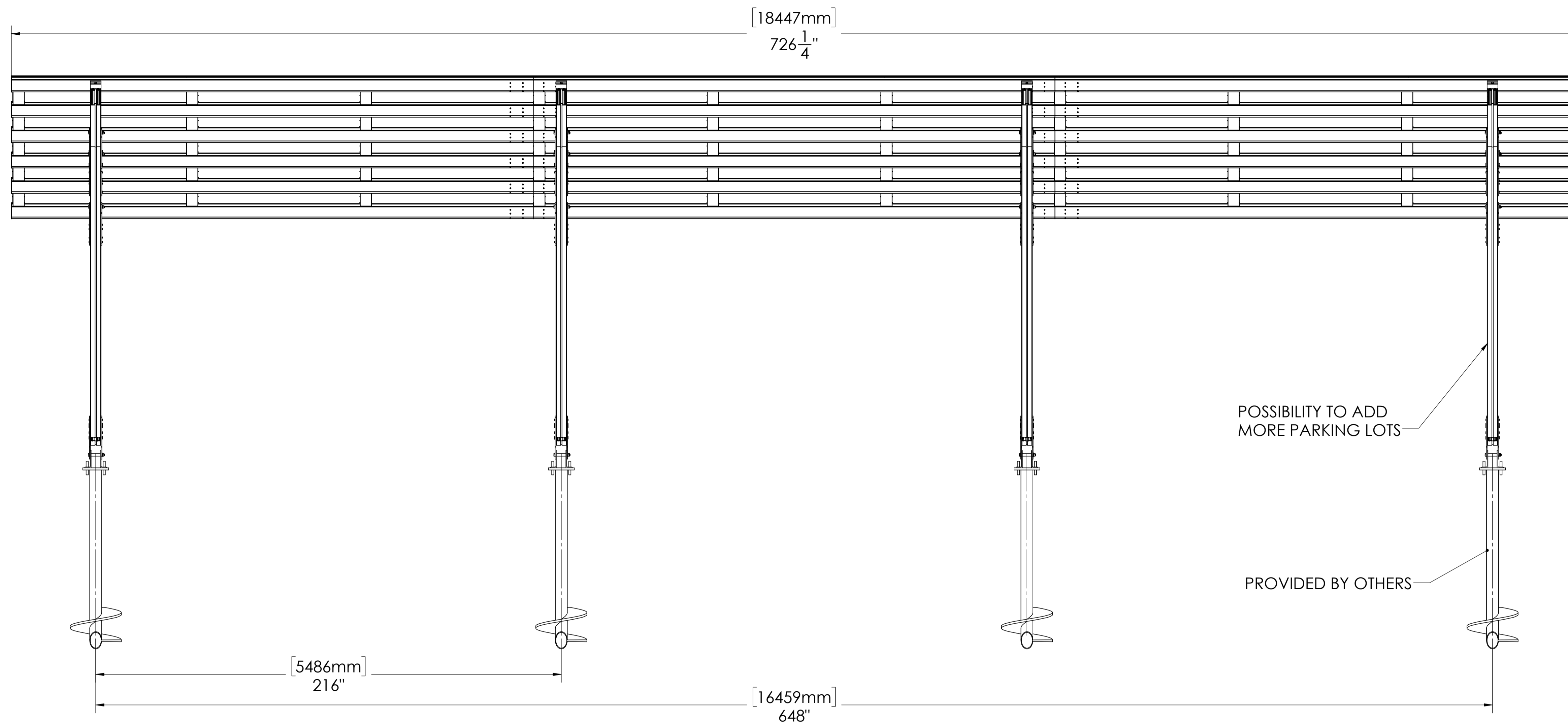
Phone: \_\_\_\_\_  
 Email: \_\_\_\_\_

**Project Info**

Project Name: \_\_\_\_\_  
 Project Number: \_\_\_\_\_  
 Project Address: \_\_\_\_\_

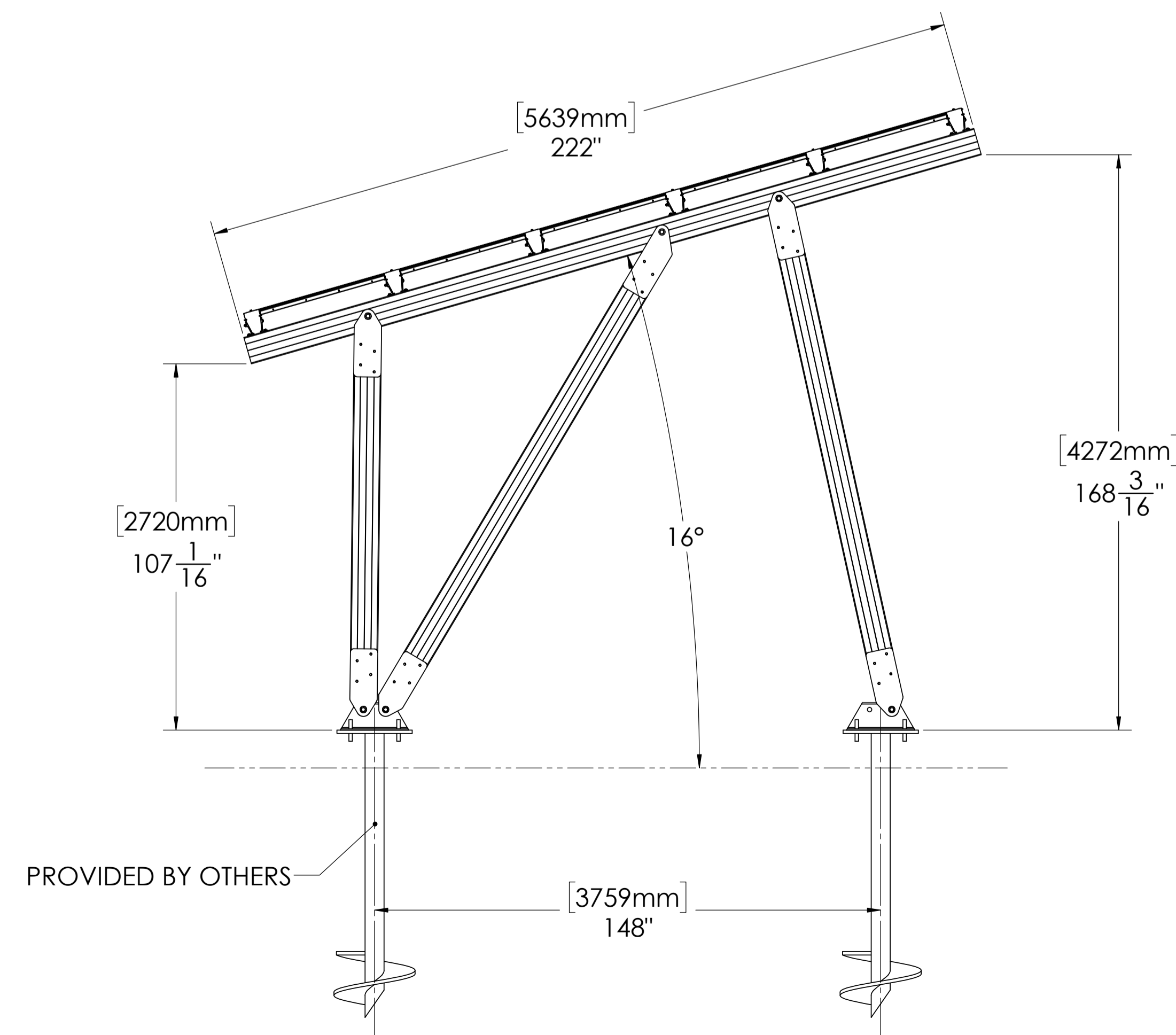
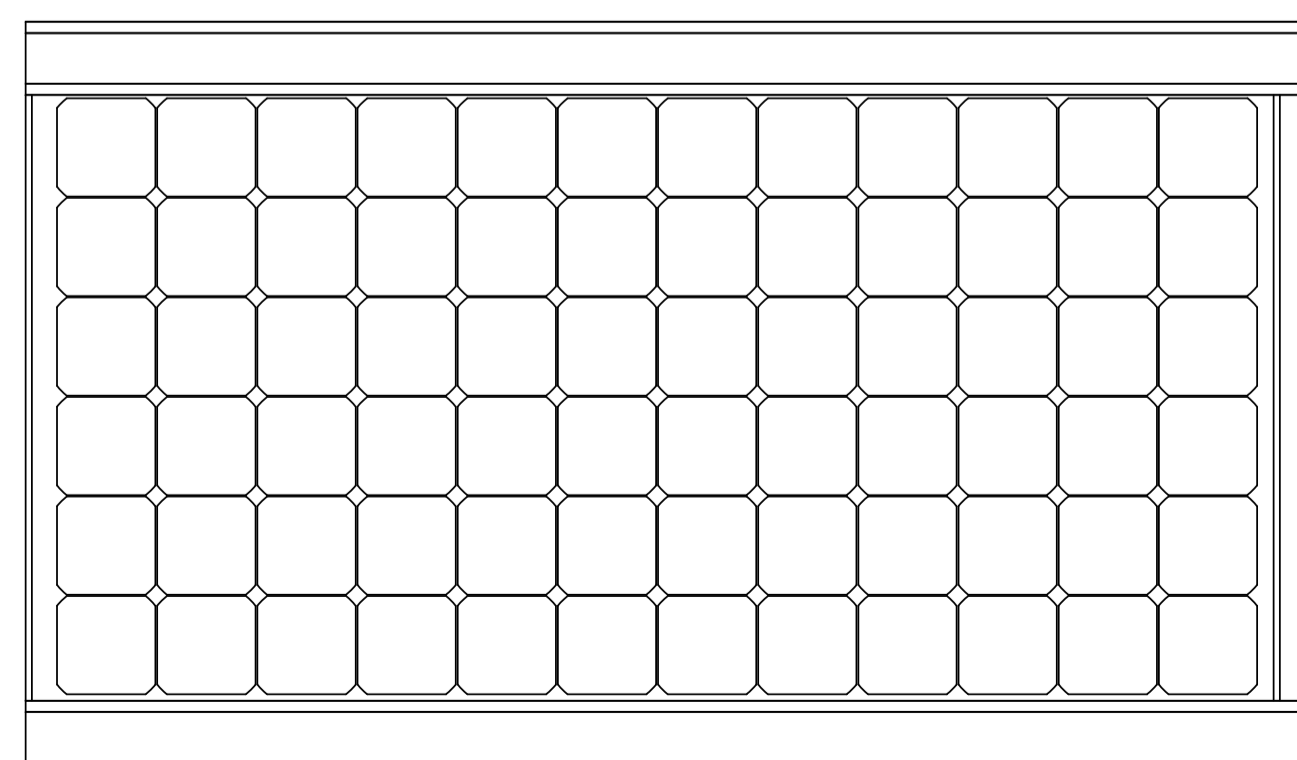
Title: SYSTEM DETAILED

Drawn By: MD      Check By: \_\_\_\_\_  
 Drawn Date: 2021-11-11      Rev: 01  
 Scale: 1:30      Page: PV1.301

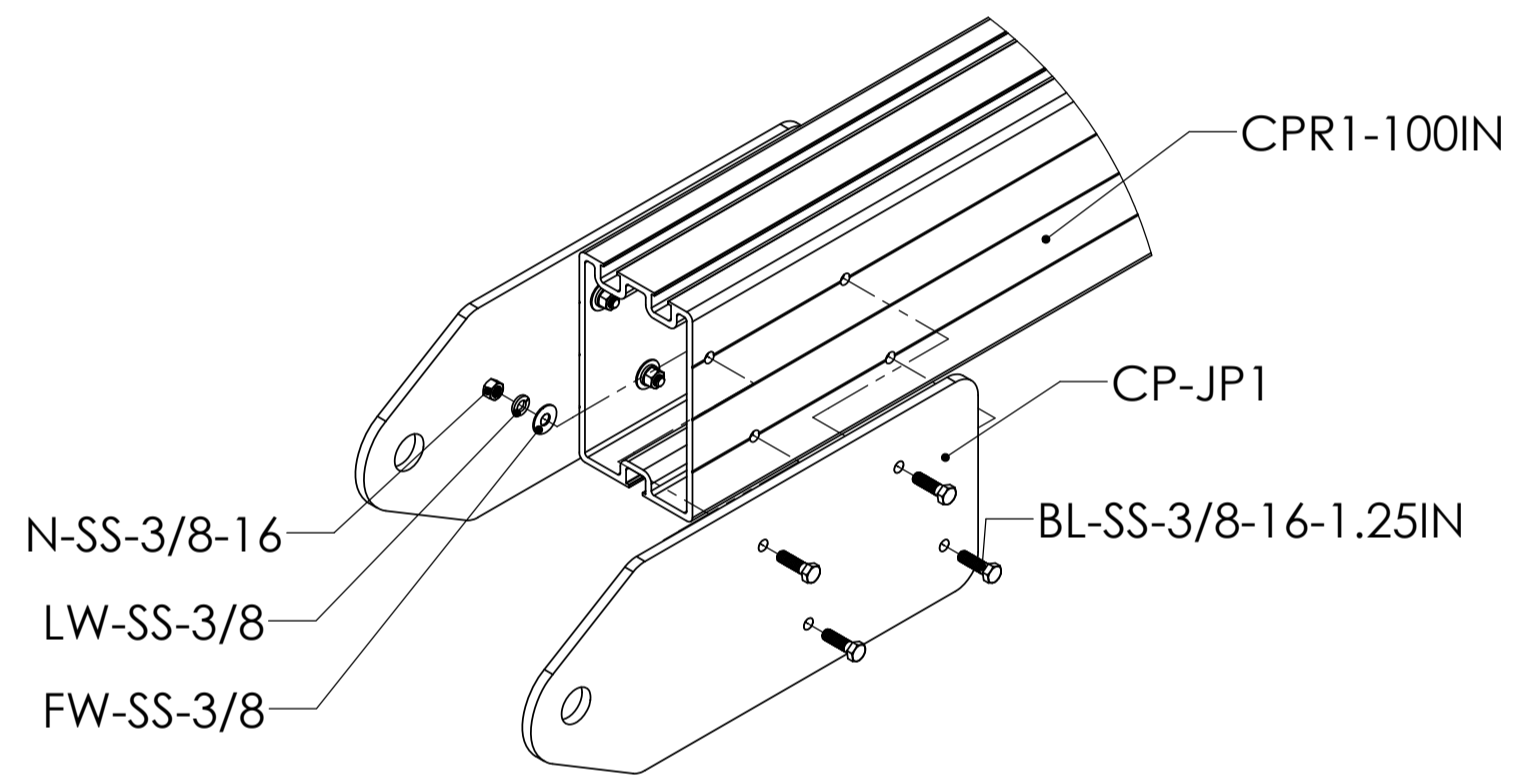
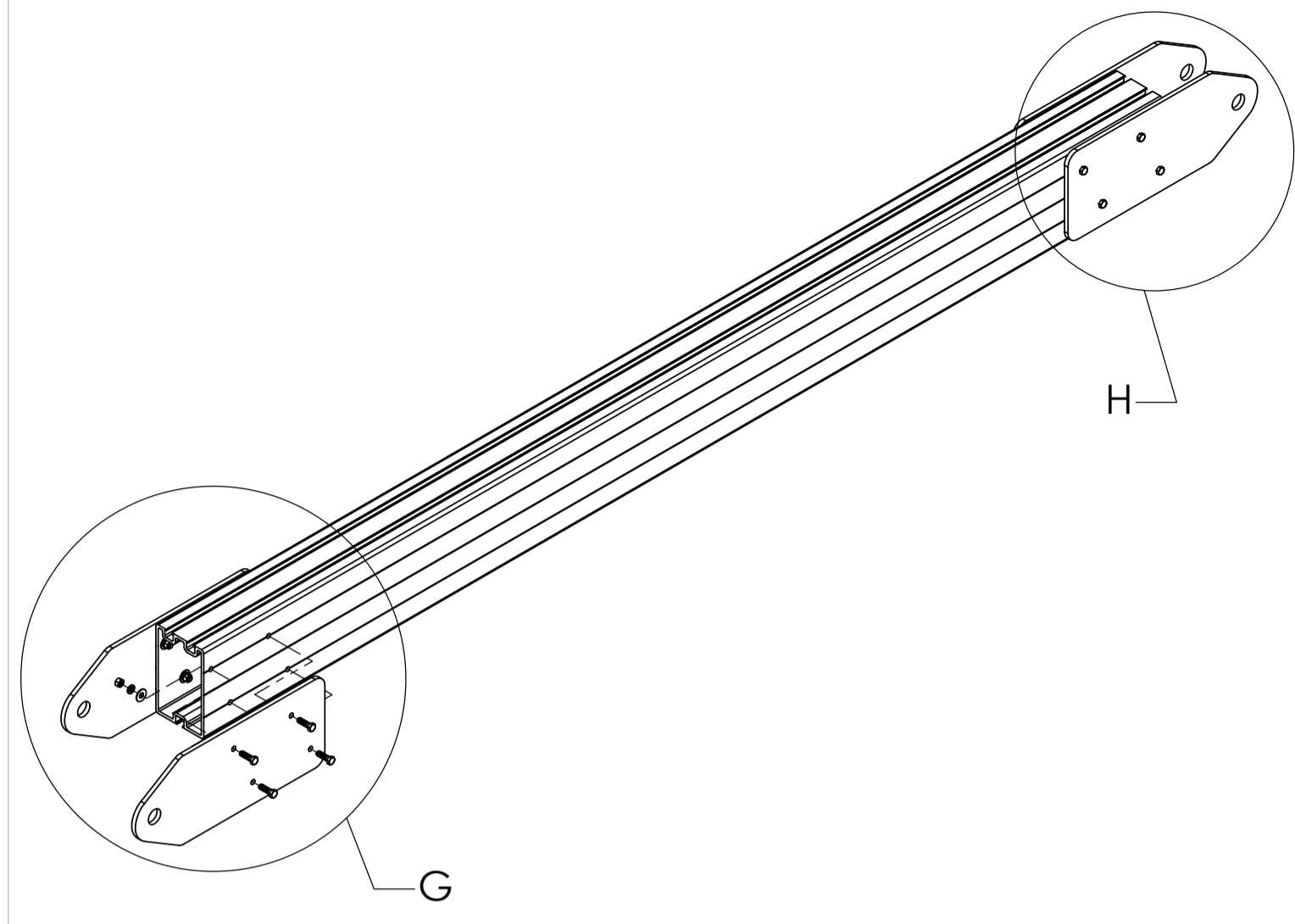


**PV PANEL SPECIFICATIONS**

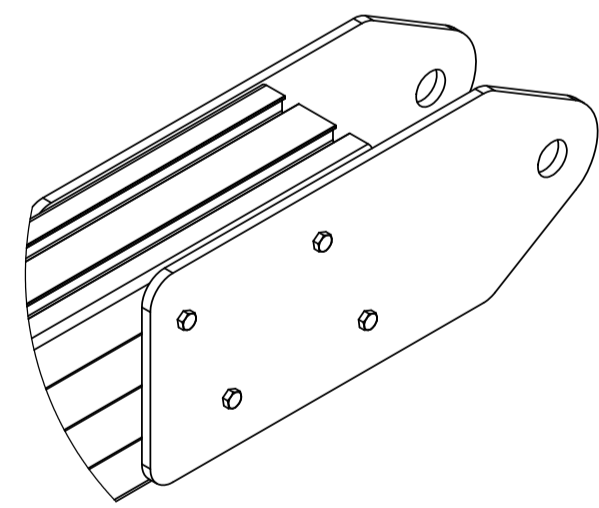
MANUFACTURER : Prism Solar  
 MODEL: BN72-xxxBSTC  
 MASS: 33.5 KG ( 74 lb)  
 MAXIMUM MECHANICAL LOAD PRESSURE: 3.3 kPa /-2.55 kPa  
 DIMENSION (LxWxH) : 1991x989x7.2mm (78.39x38.94x0.28in)



### A-CPR1-100IN



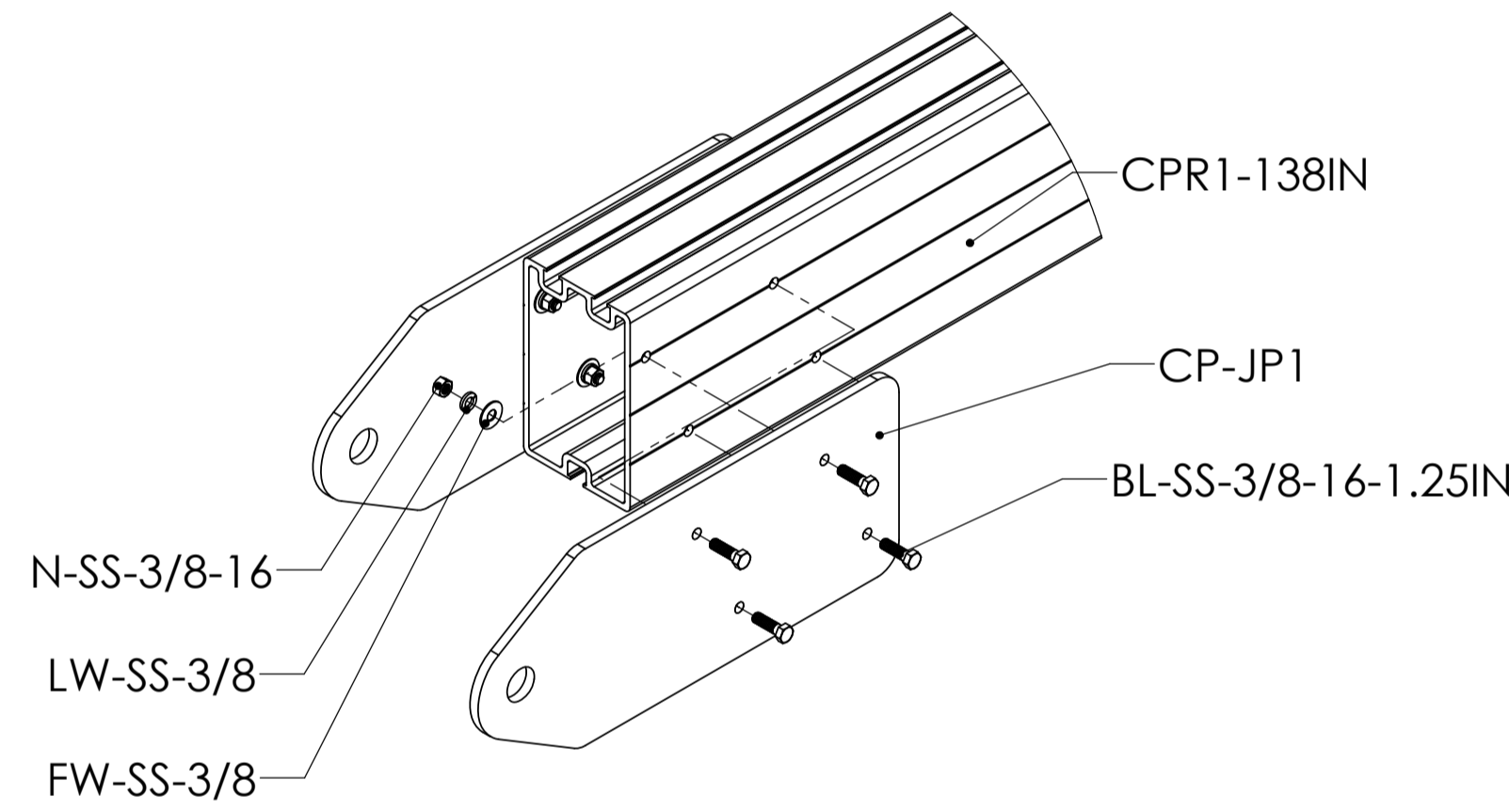
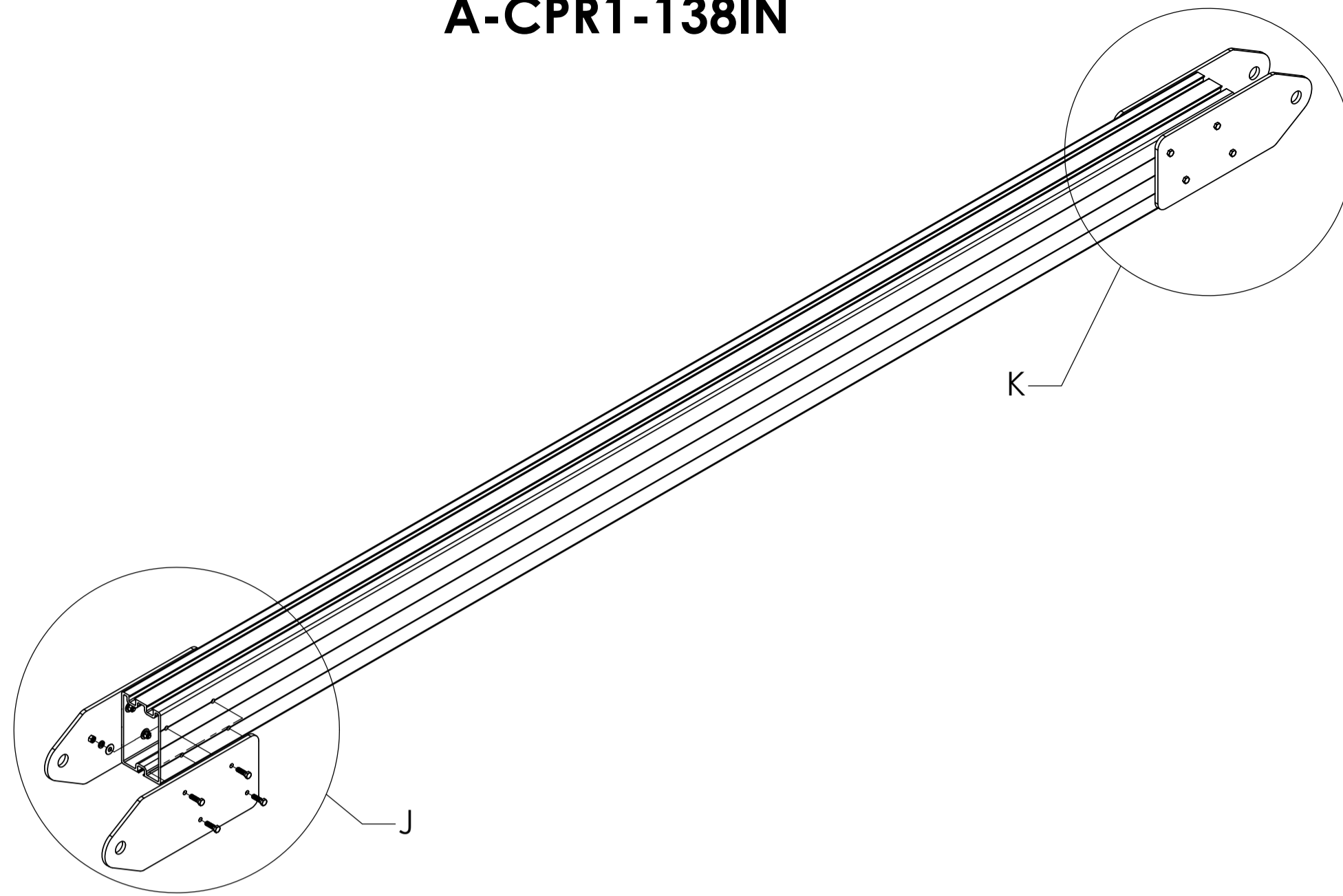
**DETAIL G**  
SCALE 1 : 6



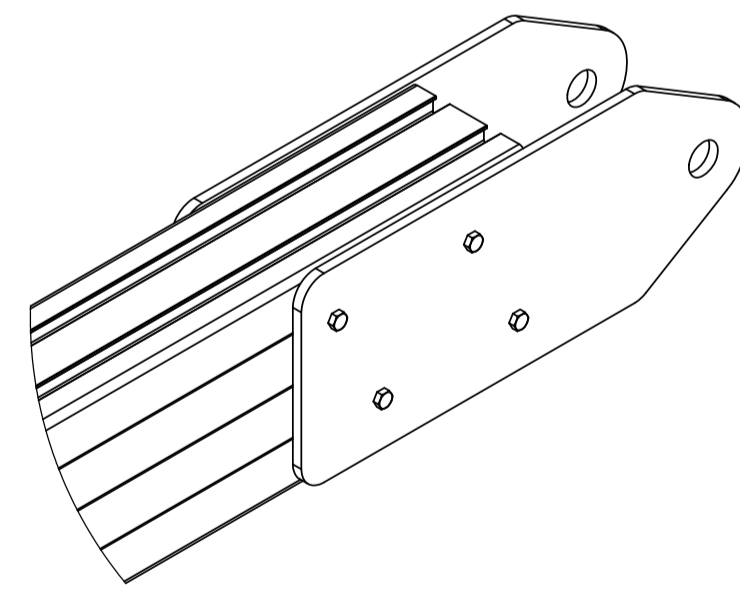
**DETAIL H**  
SCALE 1 : 6

PROJECT	ITEM NO.	PART NUMBER	DESCRIPTION	QTY.	MATERIAL
01-Opsun Parts	1	CP-JP1	Junction Plate: Type 1	4	5052-H32
02-Opsun Rails	2	CPR1-100IN	Sunport rail 100IN (B2)	1	6005A-T61
Fasteners	3	BL-SS-3/8-16-1.5IN	SS Hex Bolt: 3/8-16 x 1.5" with Loctite	16	AISI 304
Fasteners	4	FW-SS-3/8	SS Flat Washer: 3/8"	16	AISI 304
Fasteners	5	LW-SS-3/8	SS Lock Washer: 3/8"	16	AISI 304
Fasteners	6	N-SS-3/8-16	SS Nut: 3/8-16	16	AISI 304

### A-CPR1-138IN



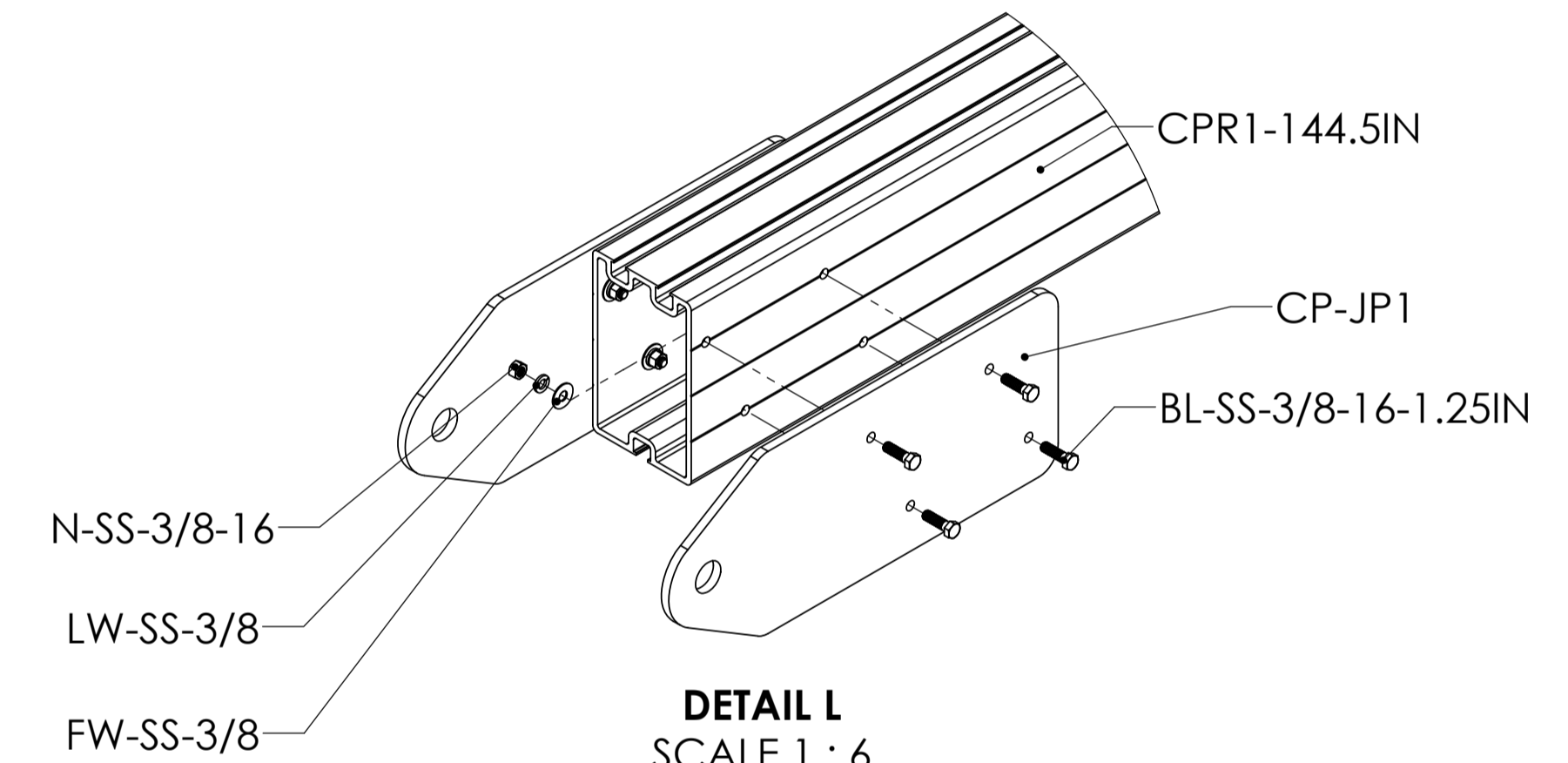
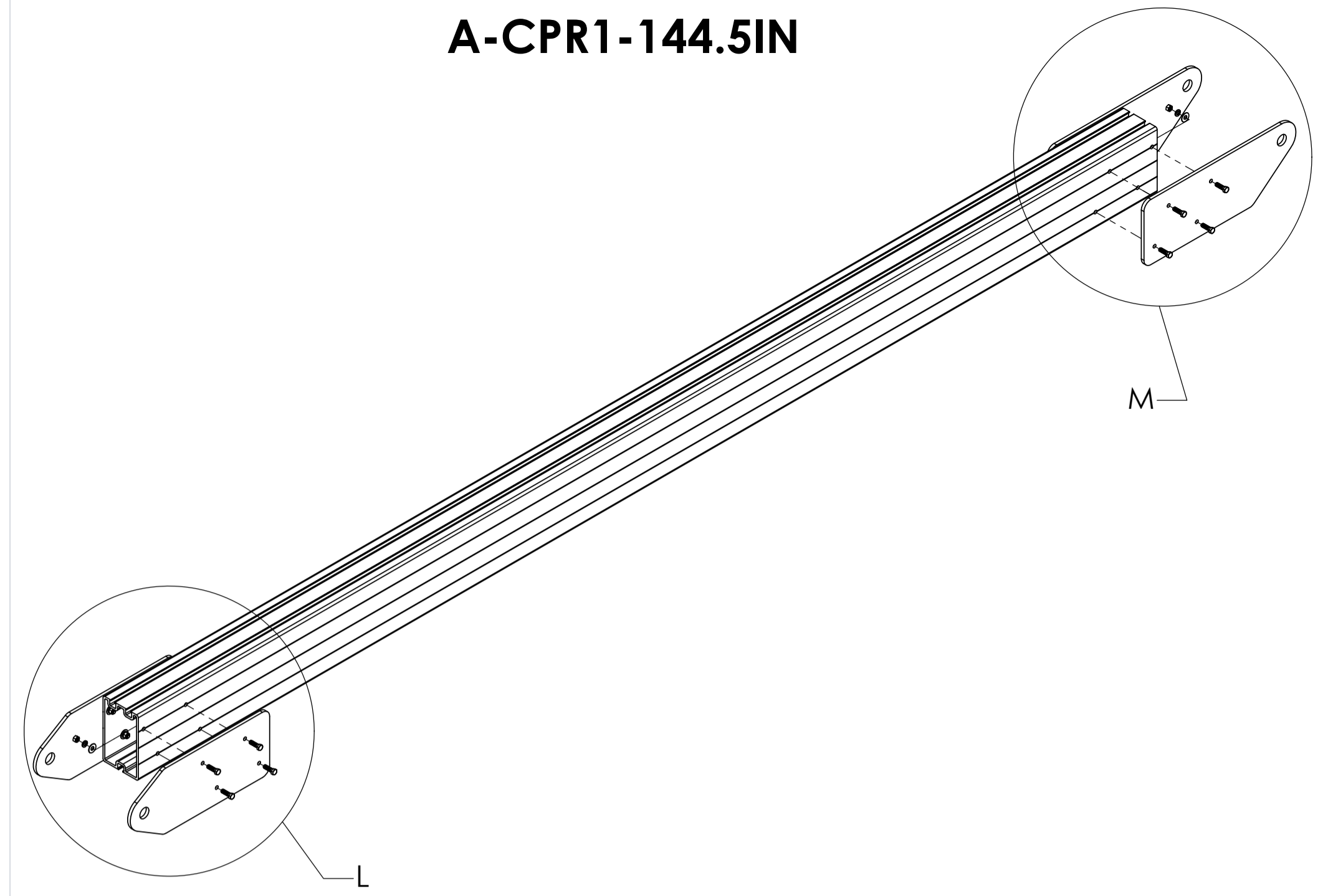
**DETAIL J**  
SCALE 1 : 6



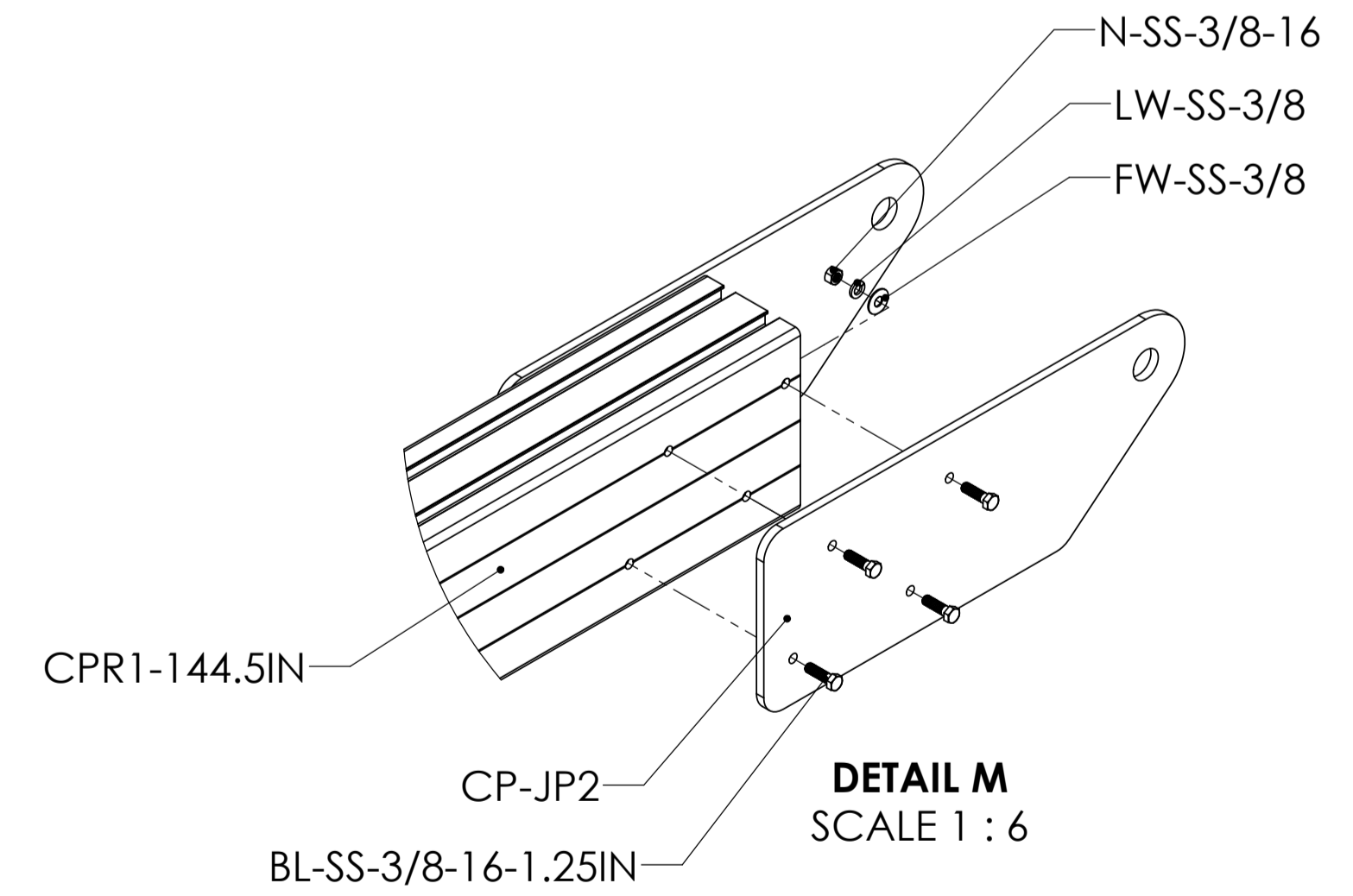
**DETAIL K**  
SCALE 1 : 6

PROJECT	ITEM NO.	PART NUMBER	DESCRIPTION	QTY.	MATERIAL
01-Opsun Parts	1	CP-JP1	Junction Plate: Type 1	4	5052-H32
02-Opsun Rails	2	CPR1-138IN	Sunport rail 138IN (B3)	1	6005A-T61
Fasteners	3	BL-SS-3/8-16-1.5IN	SS Hex Bolt: 3/8-16 x 1.5" with Loctite	16	AISI 304
Fasteners	4	FW-SS-3/8	SS Flat Washer: 3/8"	16	AISI 304
Fasteners	5	LW-SS-3/8	SS Lock Washer: 3/8"	16	AISI 304
Fasteners	6	N-SS-3/8-16	SS Nut: 3/8-16	16	AISI 304

### A-CPR1-144.5IN



**DETAIL L**  
SCALE 1 : 6



**DETAIL M**  
SCALE 1 : 6

PROJECT	ITEM NO.	PART NUMBER	DESCRIPTION	QTY.	MATERIAL
01-Opsun Parts	1	CP-JP1	Junction Plate: Type 1	2	5052-H32
01-Opsun Parts	2	CP-JP2	Junction Plate: Type 2	2	5052-H32
02-Opsun Rails	3	CPR1-144.5IN	Sunport rail 144.5IN (B1)	1	6005A-T61
Fasteners	4	BL-SS-3/8-16-1.5IN	SS Hex Bolt: 3/8-16 x 1.5" with Loctite	16	AISI 304
Fasteners	5	FW-SS-3/8	SS Flat Washer: 3/8"	16	AISI 304
Fasteners	6	LW-SS-3/8	SS Lock Washer: 3/8"	16	AISI 304
Fasteners	7	N-SS-3/8-16	SS Nut: 3/8-16	16	AISI 304

**Notice**  
All rights reserved. All information contained in this document remains the sole property of Opsun. This document may not be copied, printed, reproduced, or in any way, including by any electronic means, reproduced, in whole or in part, without the express written permission from Opsun. Opsun shall not be held responsible for any errors, omissions, or changes made to the present information, or if any missing information is detected. Opsun does not offer any warranty concerning the structural integrity of the building, the integrity of which shall solely be based on the structural engineer. Any modifications or alterations to the approved design without Opsun's written approval may void the warranty offered by Opsun. Any use of proposed changes must first be reviewed, and approved in writing, by Opsun. No warranty is provided or implied by Opsun with respect to any claims that may be made regarding the structural integrity of the building or the load capacity of any roof assembly, including or attaching to the building, and the suitability of the roof to support the installation of such racking. Do not scale the drawing. By accepting this document, the client understands and agrees in full agreement with the above statement.

**Note**

NOT FOR CONSTRUCTION

**Revision**

Rev.#	Review	Date

**Array Information**

Type of Mounting:

Panel Model:  
PRISM BN72xxx-BSTC  
Tilt Angle : °  
Panel Qty :  
DC Size : kW

**Customer Info**

Phone:  
Email:

**Project Info**

Project Name:

Project Number:

Project Address:

Title  
**BEAMS ASSEMBLY**

Drawn By:                      Check By:

Drawn Date:                      Rev  
2021-11-11                      01

Scale:                              Page:  
1:12                              PV1.341



**Notice**  
 All rights reserved. All information contained in this document remains the sole property of Opsun. This document may not be copied, printed, reprinted, or otherwise reproduced in any form or by any means, electronic or mechanical, including photocopying, recording, or by any information storage and retrieval system, without the prior written permission from Opsun. Opsun grants a limited license to use this information for the sole purpose of the project for which it was prepared. Opsun does not accept any liability for any errors or omissions in this document. Opsun does not accept any liability for any damage or injury to property, including the structural integrity of the building, the integrity of which has not been verified by a structural engineer. Any modifications or alterations made to the approved design without Opsun's written approval may void the warranty offered by Opsun. Any and all proposed changes must first be reviewed, and approved in writing, by Opsun. No warranty is provided or implied by Opsun with respect to, and Opsun shall not be held responsible for, the accuracy, completeness, or timeliness of any data, information, or any other information contained in this document. Do not scale the drawing. By accepting this document, the client understands and agrees to the agreement with the above statement.

**Note**

NOT FOR CONSTRUCTION

**Revision**

Rev.#	Review	Date

**Array Information**

Type of Mounting:  
 Panel Model: PRISM BN72xxx-BSTC  
 Tilt Angle : °  
 Panel Qty :  
 DC Size : kW

**Customer Info**

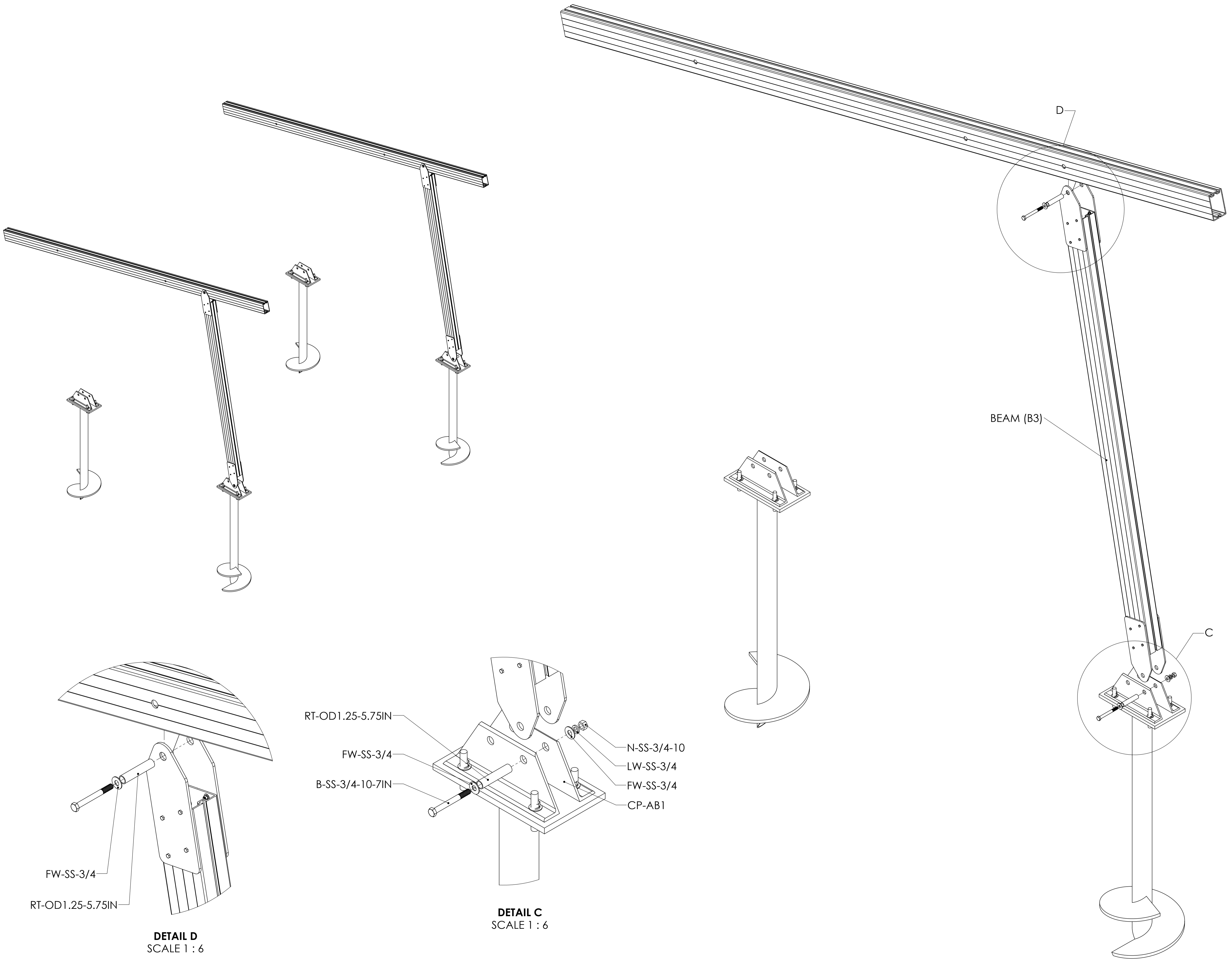
Phone:  
 Email:

**Project Info**

Project Name:  
 Project Number:  
 Project Address:

Title: ASSEMBLY STEP-1

Drawn By:	Check By:
Drawn Date: 2021-11-11	Rev 01
Scale: 1:12	Page: PV1.342



**DETAIL D**  
 SCALE 1 : 6

**DETAIL C**  
 SCALE 1 : 6

**Notice**  
All rights reserved. All information contained in this document remains the sole property of Opsun. This document may not be copied, printed, reproduced, stored in a retrieval system, or transmitted in any form or by any means, electronic or mechanical, including photocopying, recording, or by any information storage and retrieval system, without the prior written permission of Opsun. Opsun, the Opsun logo, and all other marks contained in this document are registered trademarks of Opsun. No part of this document may be reproduced, stored in a retrieval system, or transmitted in any form or by any means, electronic or mechanical, including photocopying, recording, or by any information storage and retrieval system, without the prior written permission of Opsun. Any modification, alteration or adaptation made to the information contained in this document without the prior written permission of Opsun is strictly prohibited. Opsun does not accept any liability for the structural integrity of the building, the integrity of which has not been verified by a structural engineer. Any modifications or alterations made to the approved design must be reviewed and approved in writing by Opsun. No warranty is provided or implied by Opsun with respect to, and Opsun shall not be held responsible for, the accuracy, completeness, or timeliness of any root material, including or excluding, the building and suitability of the roof to support the installation of such roofing. Do not scale the drawing. By accepting this document, the client understands and agrees in full agreement with the above statement.

**Note**

NOT FOR CONSTRUCTION

**Revision**

Rev.#	Review	Date

**Array Information**

Type of Mounting:  
Panel Model:  
PRISM BN72xxx-BSTC  
Tilt Angle : °  
Panel Qty :  
DC Size : kW

**Customer Info**

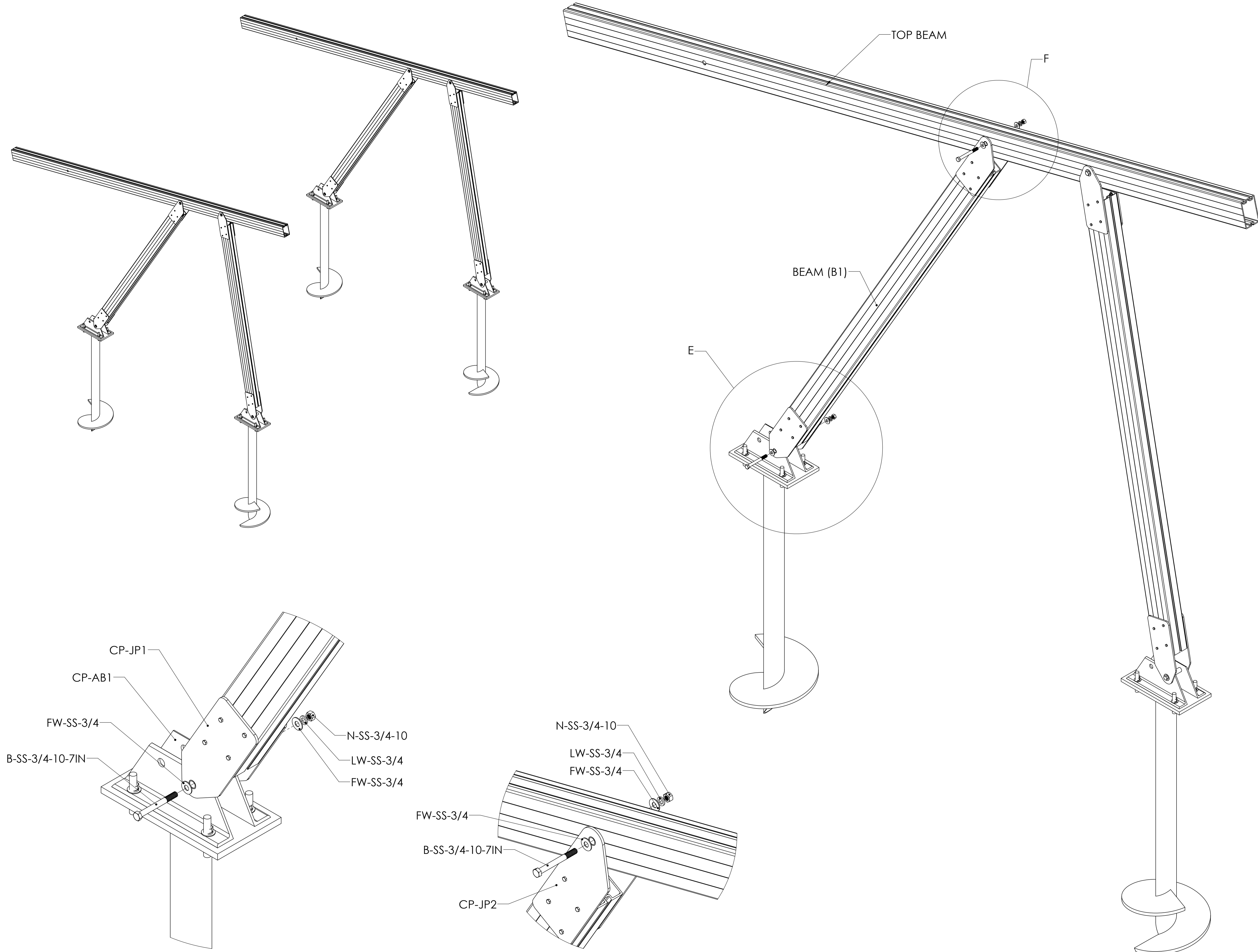
Phone:  
Email:

**Project Info**

Project Name:  
Project Number:  
Project Address:

Title: ASSEMBLY STEP-2

Drawn By:          Check By:  
Drawn Date:        Rev  
2021-11-11        01  
Scale:             Page:  
1:12                PV1.343



**DETAIL E**  
SCALE 1 : 6

**DETAIL F**  
SCALE 1 : 6

**Notice**  
 All rights reserved. All information contained in this document remains the sole property of Opsun. This document may not be copied, printed, scanned, or in any way, including by any electronic means, reproduced, in whole or in part, without the express written permission from Opsun. Any change or modification to this notice, or any other information, is made to the present information, or if any missing information is detected. Opsun does not offer any warranty concerning the structural integrity of the building, the integrity of which is solely on behalf of the structural engineer. Any modifications or alterations made to the approved design must be reviewed and approved in writing by Opsun. No warranty is provided or implied by Opsun with respect to any claims that may be made by any third party regarding the design or construction of the building and suitability of the roof to support the installation of such racking. Do not scale the drawing. By accepting this document, the client understands and is in full agreement with the above statement.

**Note**

NOT FOR CONSTRUCTION

**Revision**

Rev.#	Review	Date

**Array Information**

Type of Mounting:

Panel Model:  
 PRISM BN72xxx-BSTC  
 Tilt Angle : °  
 Panel Qty :  
 DC Size : kW

**Customer Info**

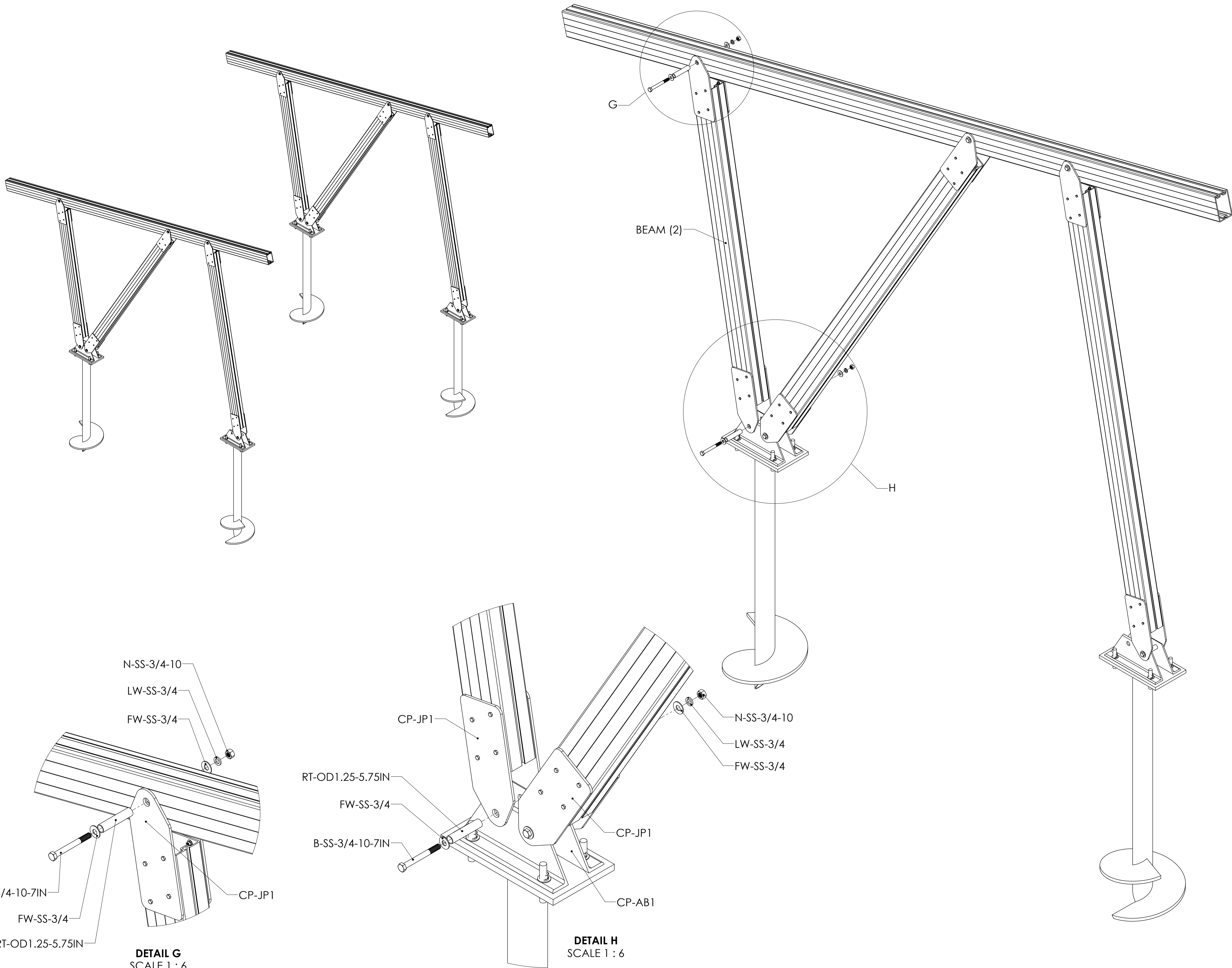
Phone:  
 Email:

**Project Info**

Project Name:  
 Project Number:  
 Project Address:

Title:  
**ASSEMBLY STEP-3**

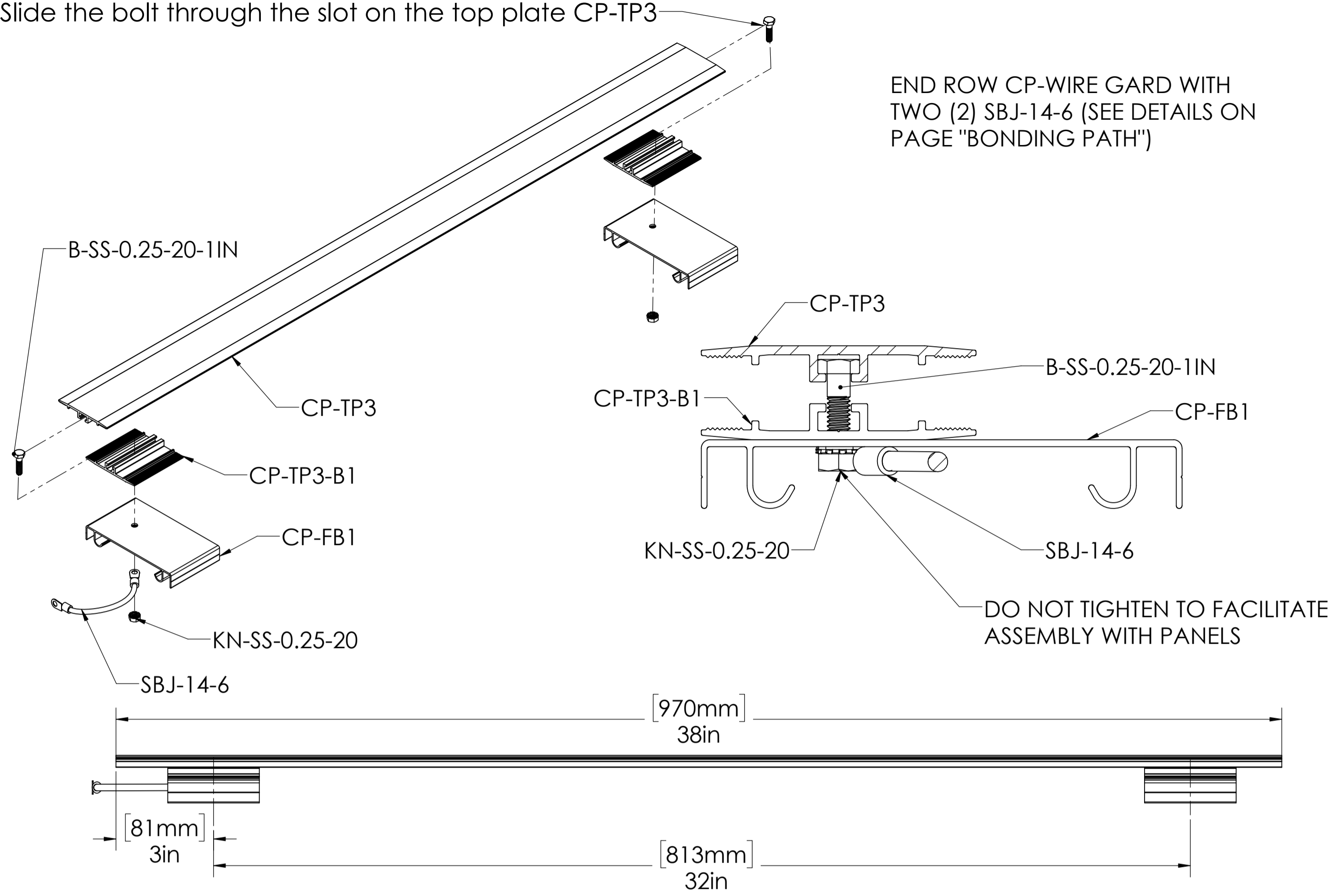
Drawn By:	Check By:
Drawn Date: 2021-11-11	Rev 01
Scale: 1:12	Page: PV1.344



# PREASSEMBLY

## CP-WIREGARD (CP-WG) PREASSEMBLY

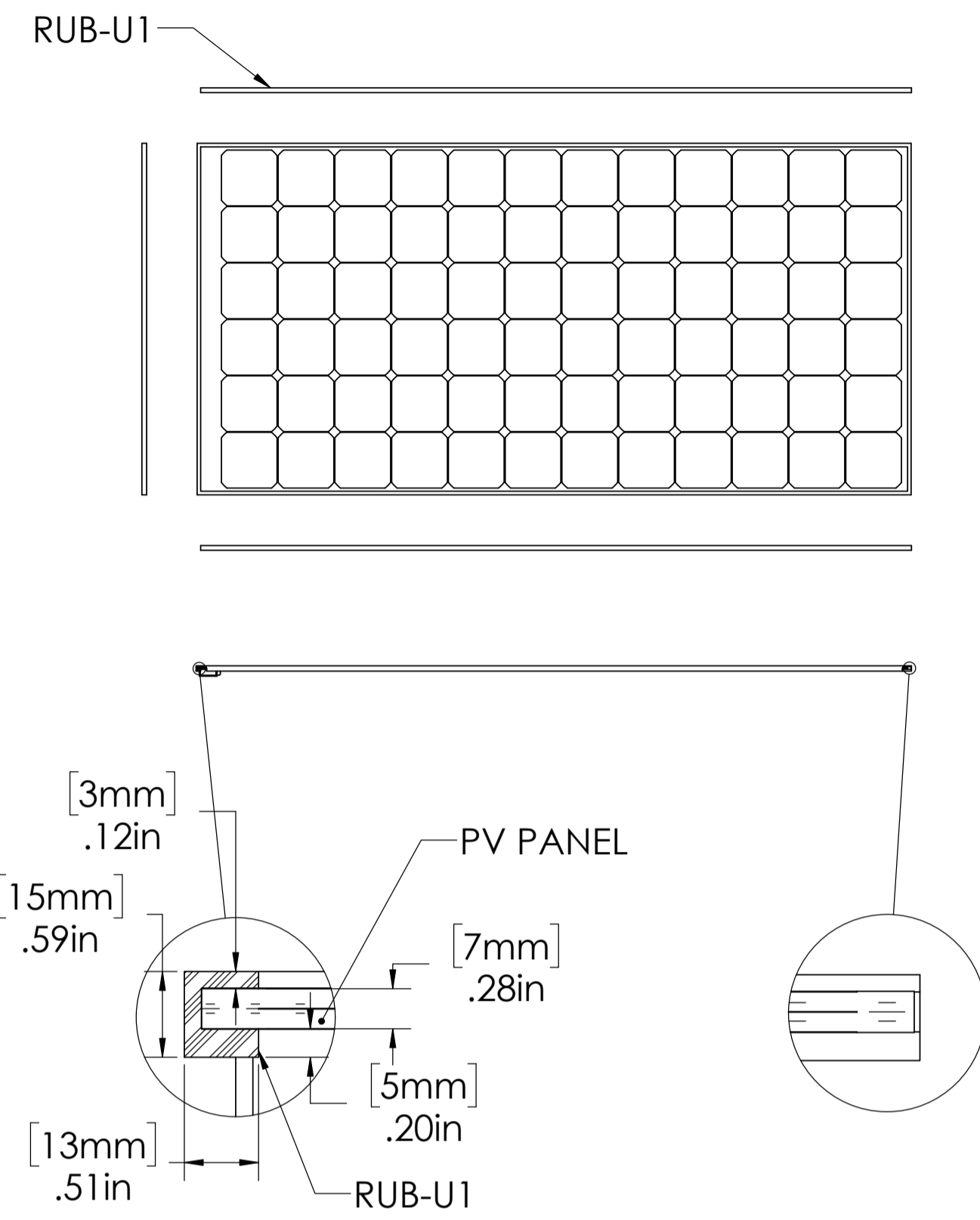
Slide the bolt through the slot on the top plate CP-TP3



SIDE WITHOUT JUNCTION BOX

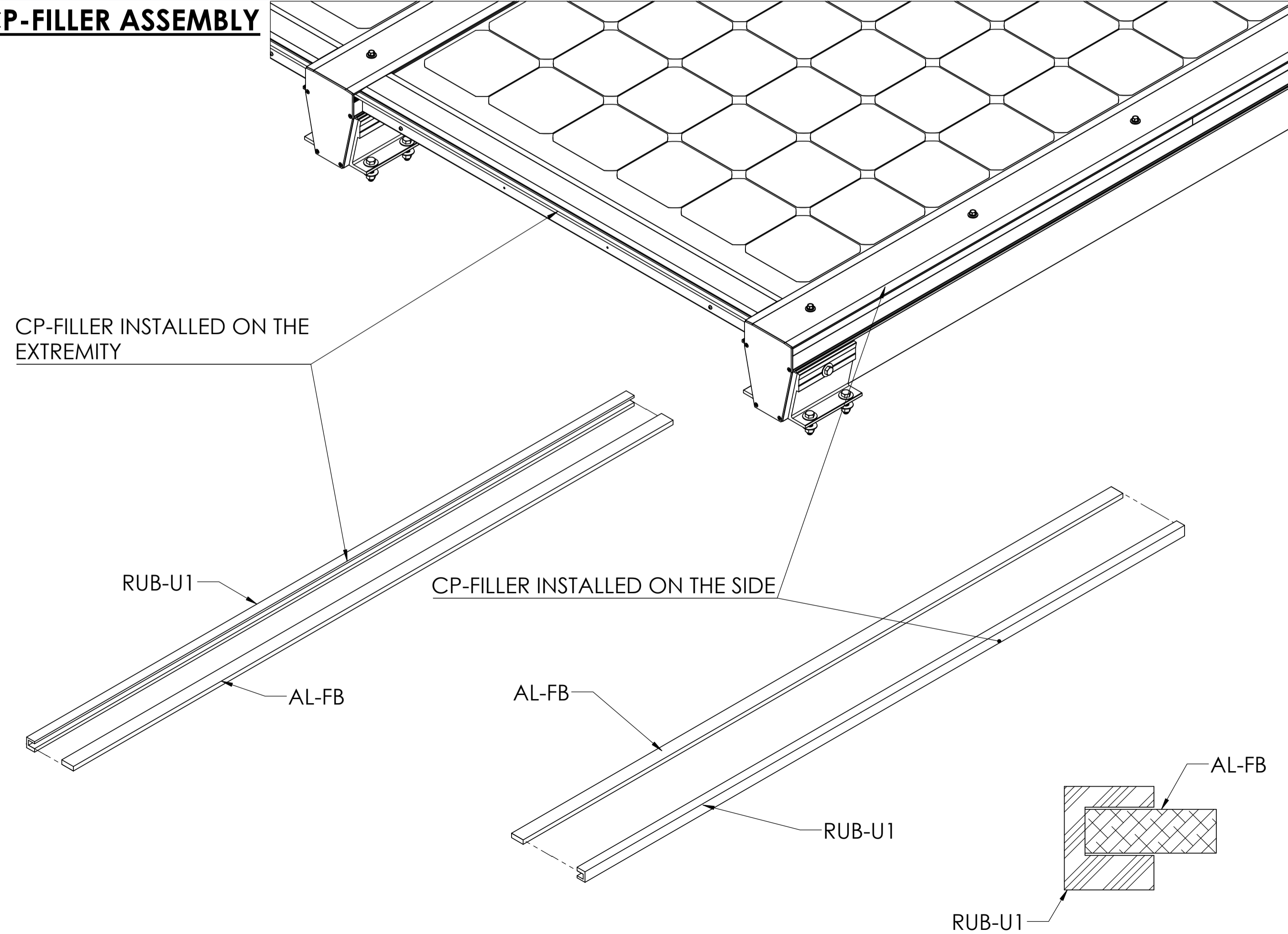
## END ROW PV PANEL ASSEMBLY

END ROW PV PANELS



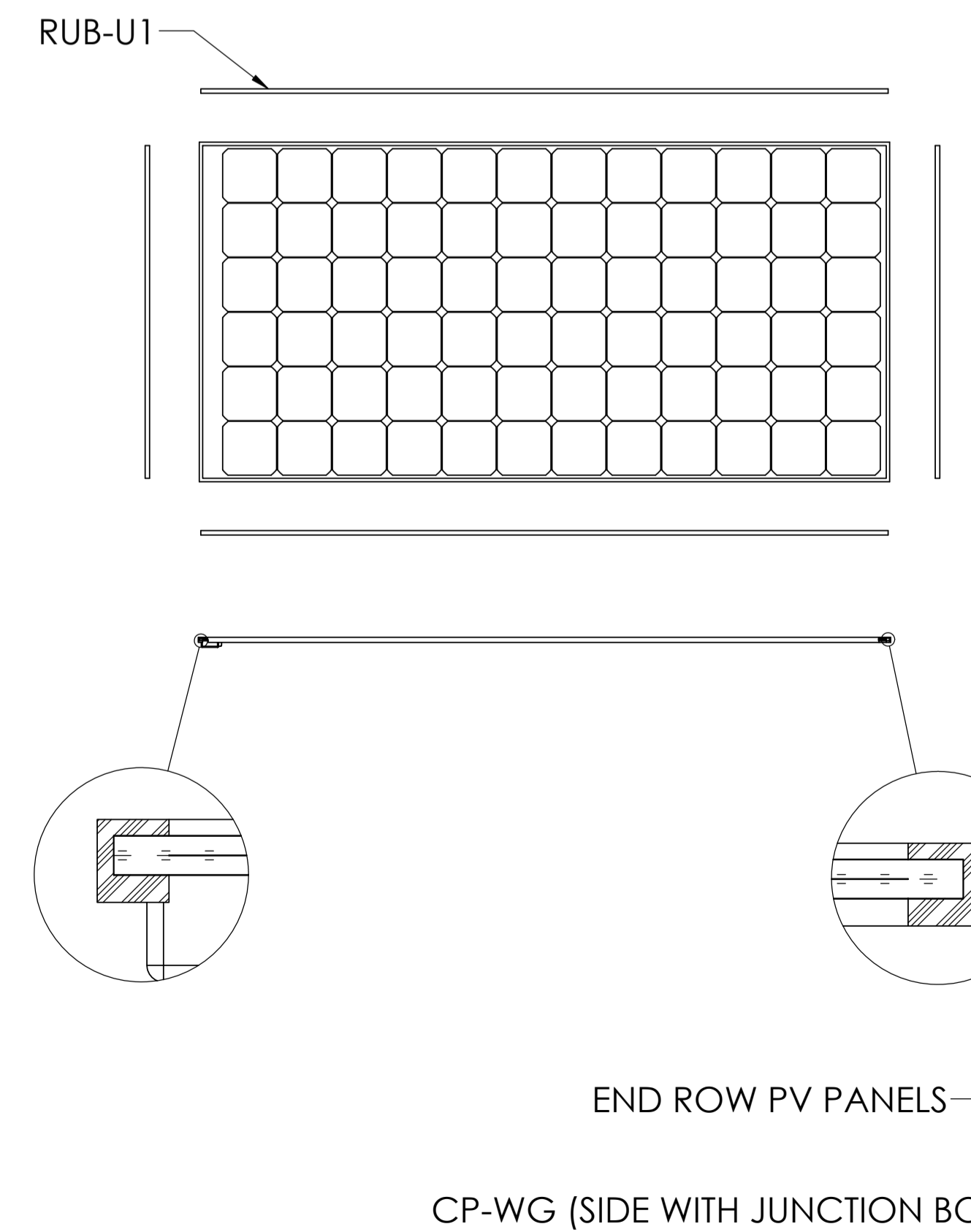
CP-WG (SIDE WITH JUNCTION BOX)

## CP-FILLER ASSEMBLY



SIDE WITHOUT JUNCTION BOX

## REGULAR PV PANEL ASSEMBLY



**Notice**  
All rights reserved. All information contained in this document remains the sole property of Opsun. This document may not be copied, printed, reproduced, or in any way, including by any electronic means, reproduced, in whole or in part, without the express written permission from Opsun. Any change or modification to the present information, or if any missing information is detected, Opsun does not offer any warranty concerning the structural integrity of the building, the integrity of which has been approved by the structural engineer. Any modifications or alterations made to the approved design, without Opsun's specification herein will nullify any warranty offered by Opsun. Any and all proposed changes must first be reviewed, and approved in writing, by Opsun. No warranty is provided or implied by Opsun with respect to, and Opsun shall not be held responsible for, the accuracy, completeness, or reliability of any information, including or originating from the building, and the suitability of the roof to support the installation of such roofing. Do not scale the drawing. By accepting this document, the client understands and agrees in full agreement with the above statement.

### Note

NOT FOR CONSTRUCTION

### Revision

Rev.#	Review	Date

### Array Information

Type of Mounting:

Panel Model:  
PRISM BN72xxx-BSTC

Tilt Angle : °

Panel Qty :

DC Size : kW

### Customer Info

Phone:

Email:

### Project Info

Project Name:

Project Number:

Project Address:

Title  
PREASSEMBLY

Drawn By:  
MD

Drawn Date:  
2021-11-11

Scale:  
1:24

Check By:

Rev  
01

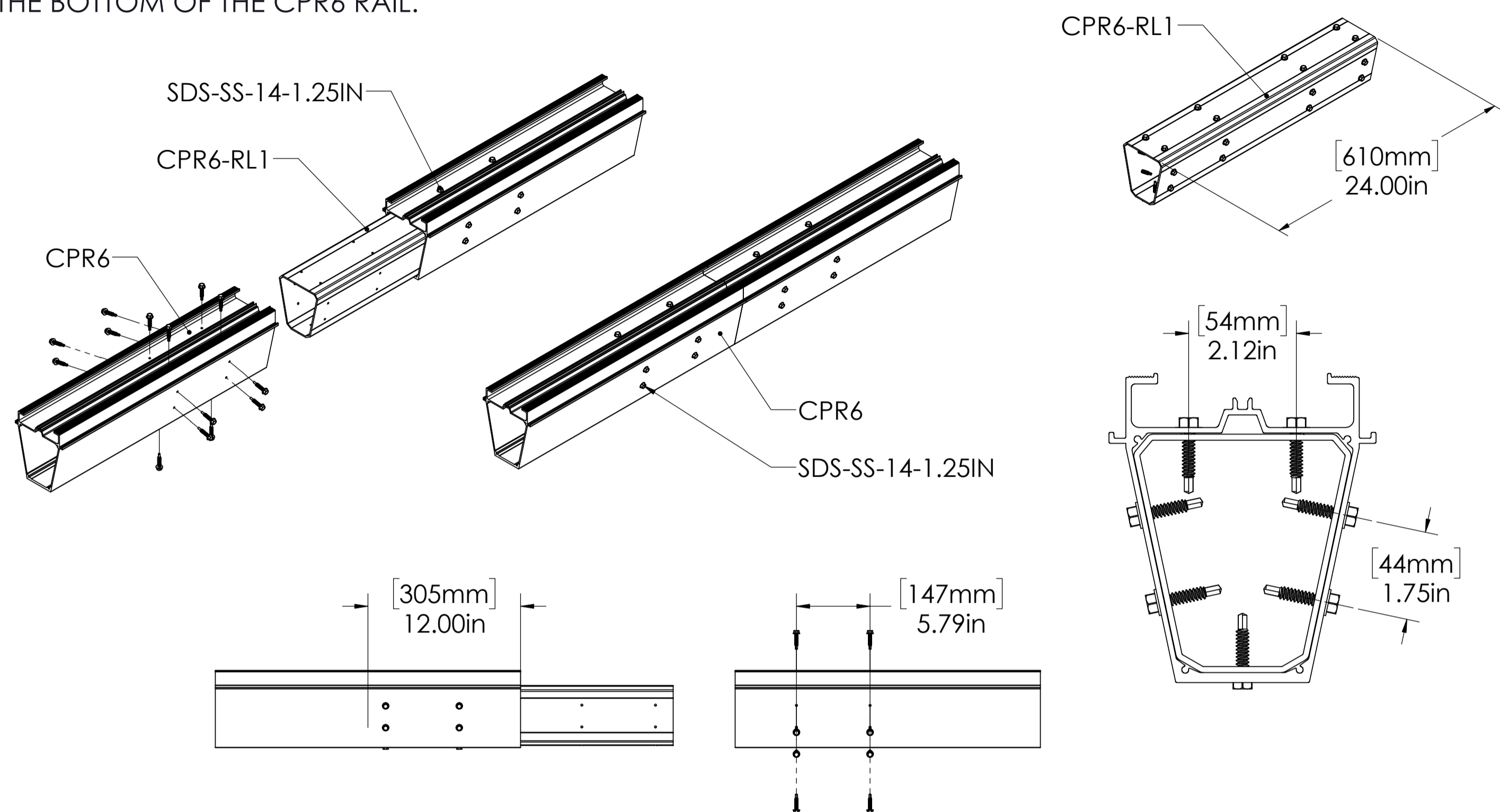
Page:  
PV1.801

## MECHANICAL INSTALLATION

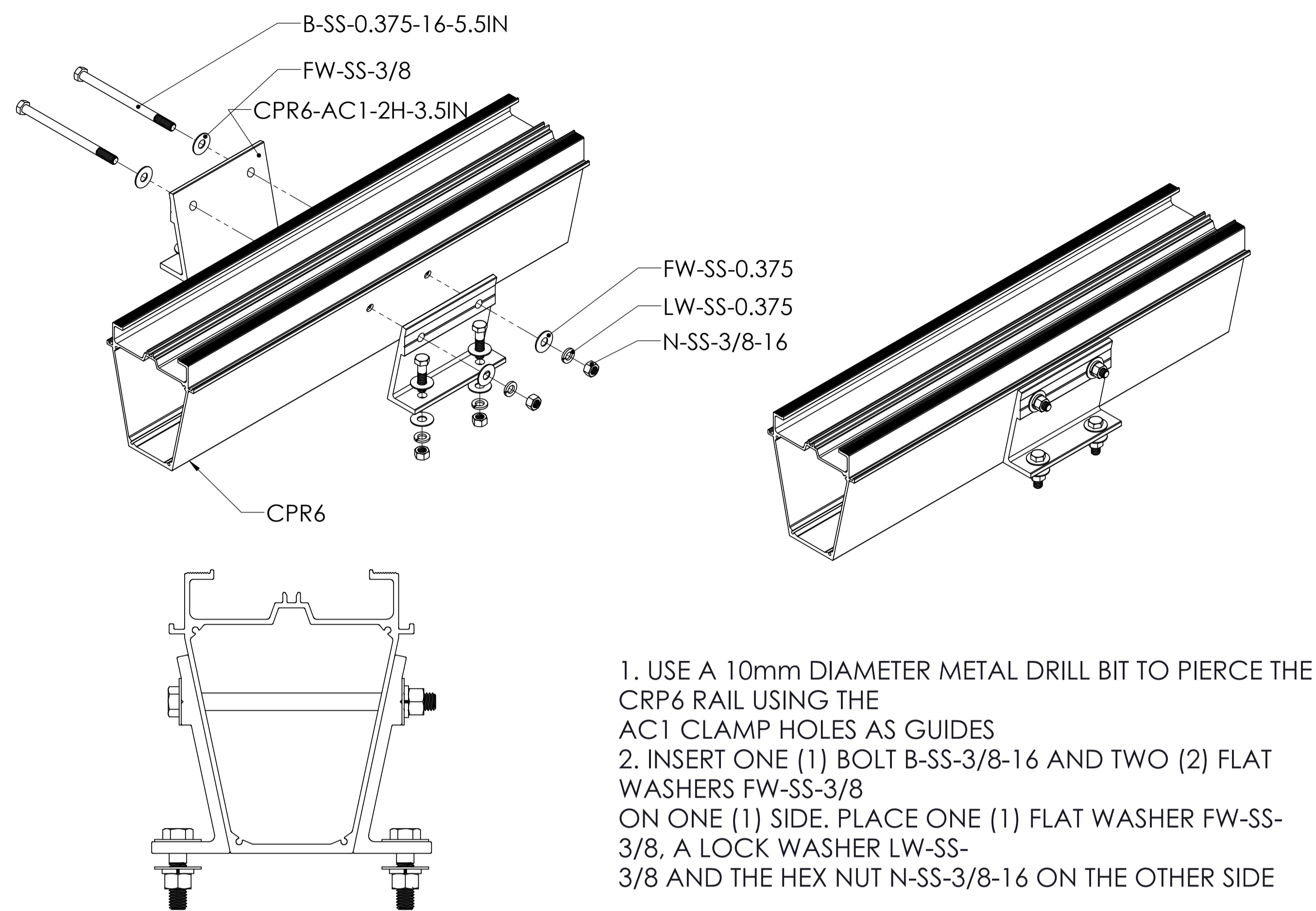
### CP-RAIL LINKER-CPR6-RL1

ASSEMBLE TWO (2) CPR6 RAIL WITH THE CPR6-RL1 LINKER :

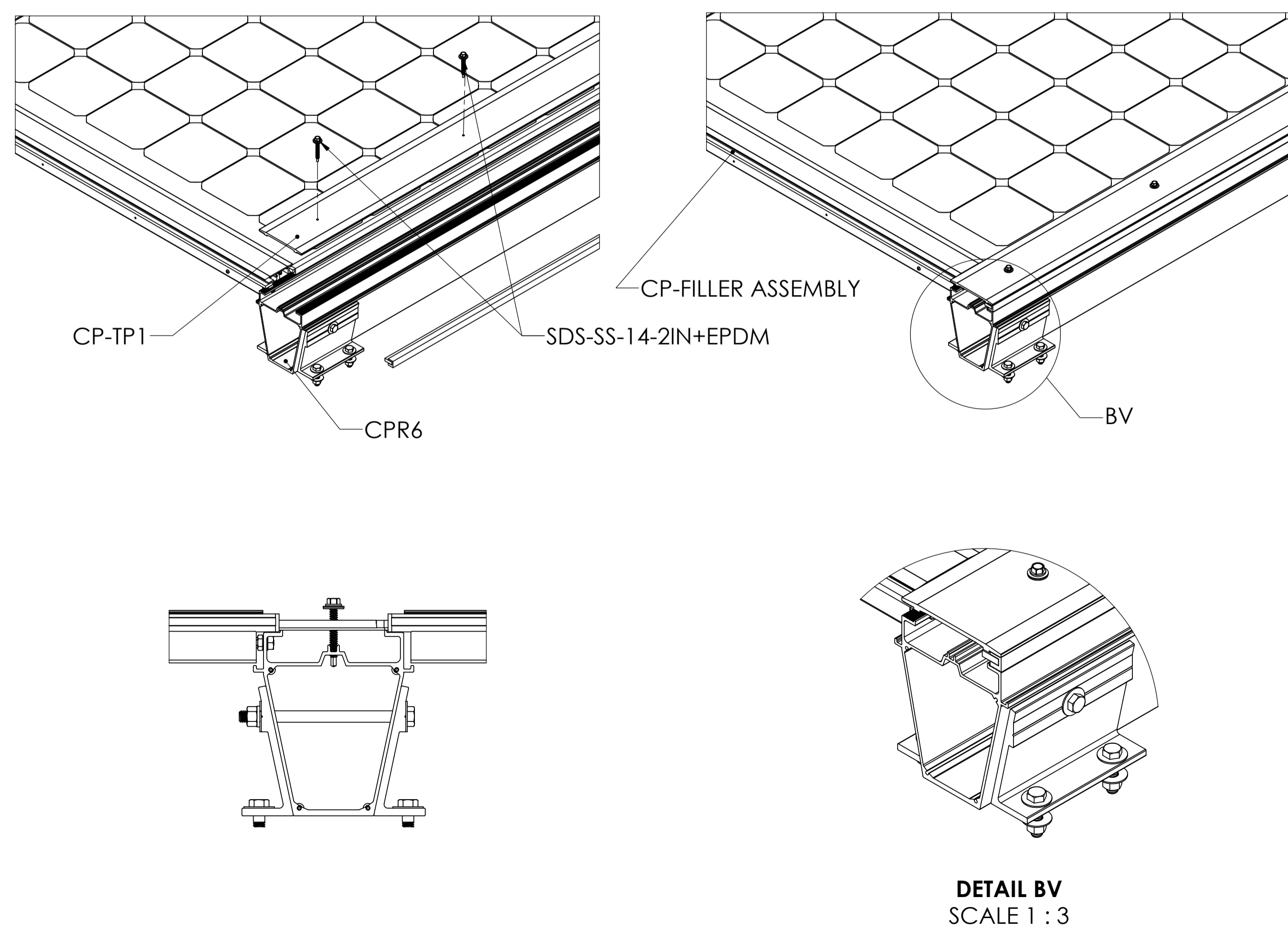
- ON THE GROUND, INSERT THE CPR6-RL1 LINKER BETWEEN TWO (2) CPR6 RAILS AND BOLT IT WITH TWENTY-EIGHT (28) SDS-SS-12-0.75IN SELF DRIVING SCREWS AS SHOWN ON THE NEXT DRAWING.
- MAKE SURE THE CPR6-RL1 LINKER IS EGALLY SPLIT BETWEEN TWO (2) CPR6 RAILS AND HEIGHT (8) SDS-SS-12-0.75IN SCREWS ARE BOLT ON EACH SIDE OF CPR6 RAIL, HEIGHT (8) ON THE TOP AND FOUR (4) ON THE BOTTOM OF THE CPR6 RAIL.



### CP-VC1

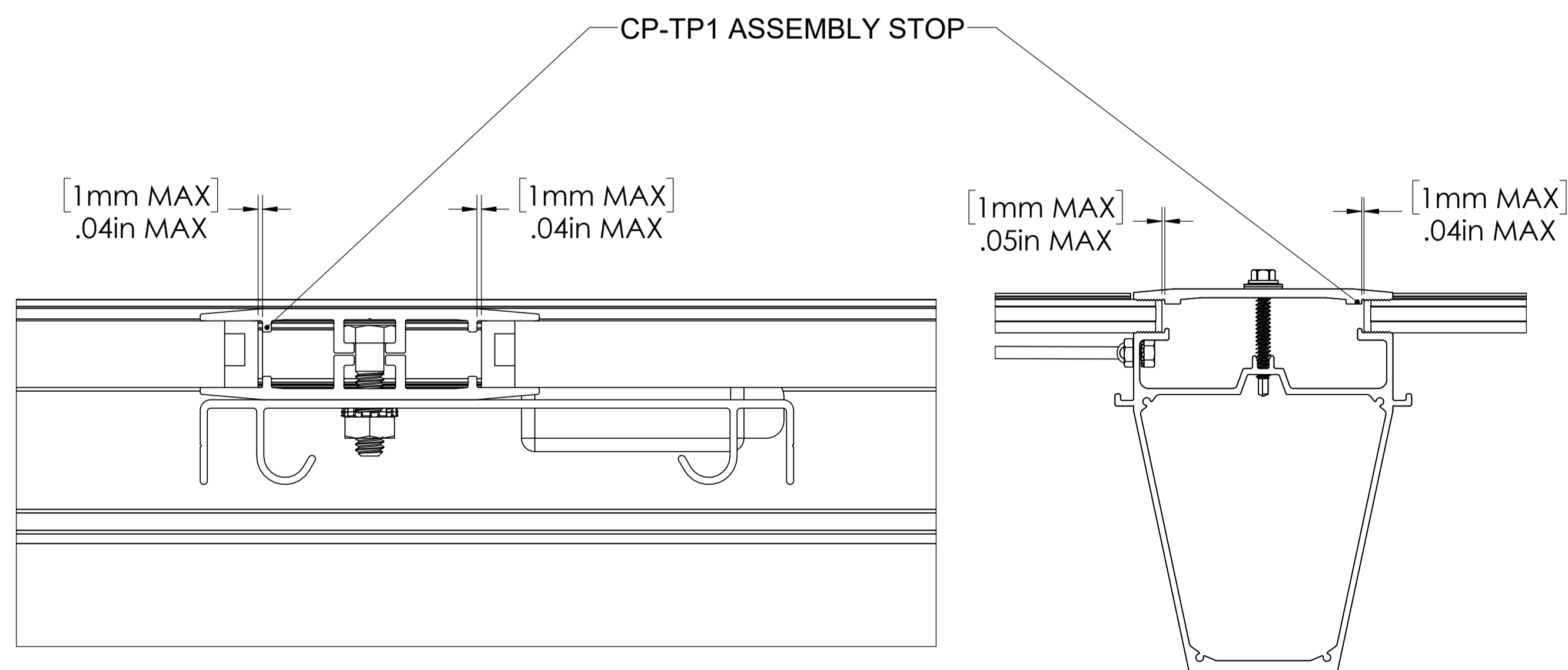


### CP-TP1 INSTALLATION



### PV PANELS POSITIONING

DURING PV PANELS INSTALLATION, BE SURE THAT THERE IS NOT MORE THAN 1MM (0.04IN) BETWEEN RUBBERS AND ASSEMBLY STOP OF THE CP-TP1



**Notice**

All rights reserved. All information contained in this document remains the sole property of Opsun. The document may not be copied, printed, reproduced, or distributed in any form without the written permission from Opsun. Opsun is not responsible for any liability arising from the use of this information. Opsun is not responsible for any damage to the building, the integrity of which has been or may be affected by the installation of the product. Opsun does not accept any liability for any modification or alteration made to the approved design. Opsun's responsibility is limited to the information provided in this document. Opsun is not responsible for any damage to the building, the integrity of which has been or may be affected by the installation of the product. Opsun does not accept any liability for any modification or alteration made to the approved design. Opsun's responsibility is limited to the information provided in this document. Opsun is not responsible for any damage to the building, the integrity of which has been or may be affected by the installation of the product. Opsun does not accept any liability for any modification or alteration made to the approved design. Opsun's responsibility is limited to the information provided in this document.

#### Note

NOT FOR CONSTRUCTION

#### Revision

Rev.#	Review	Date

#### Array Information

Type of Mounting:

Panel Model:  
PRISM BN72xxx-BSTC

Tilt Angle : °

Panel Qty :

DC Size : kW

#### Customer Info

Phone:

Email:

#### Project Info

Project Name:

Project Number:

Project Address:

Title

MECHANICAL INSTALLATION

Drawn By:

MD

Drawn Date:

2021-11-11

Scale:

1:75

Check By:

01

Rev

01

Page:

PV1.802

# PV PANELS INSTALLATION 1

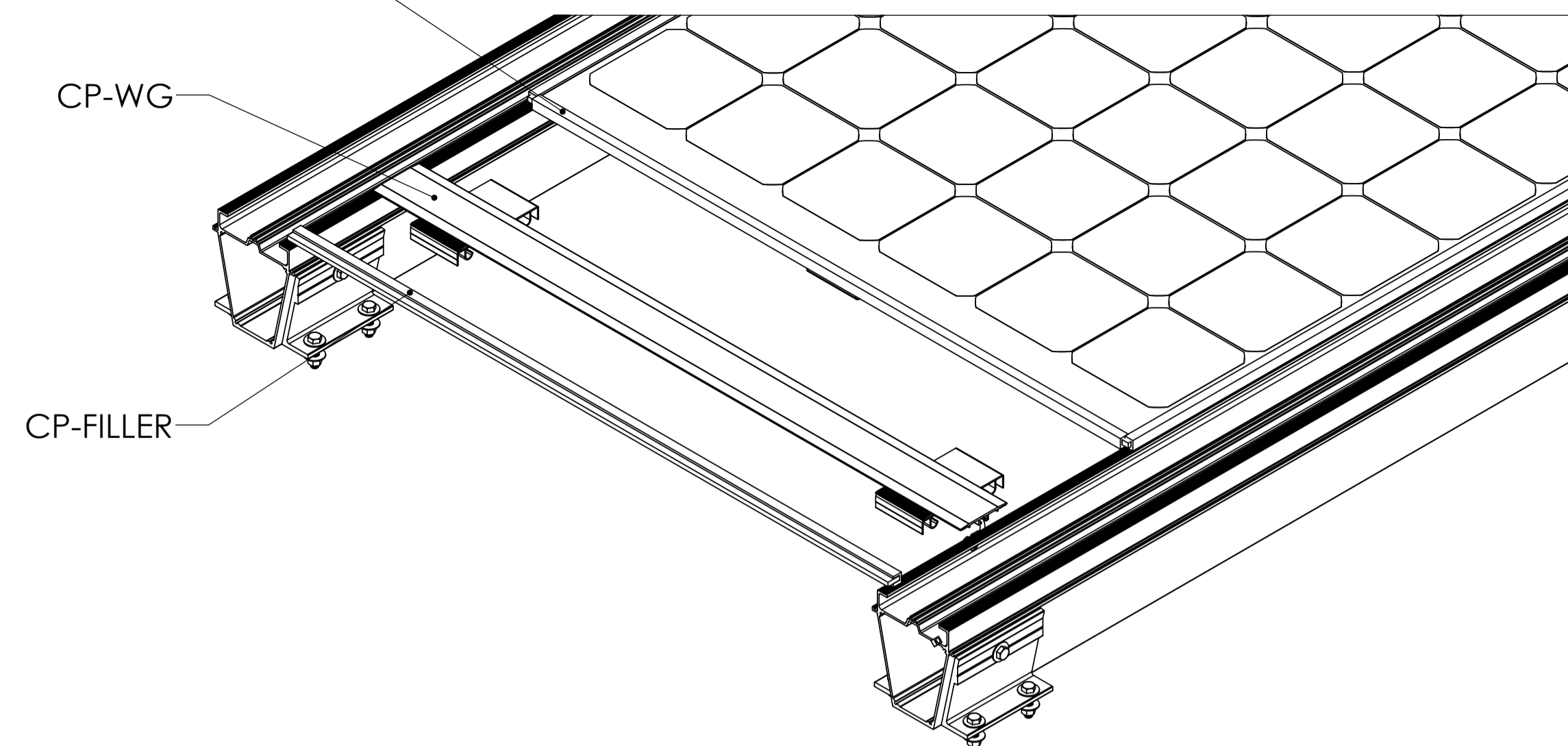


OPSUN SYSTEMS INC.  
 275 Ave. De Bourgasagne, Suite 260  
 Québec, Québec G1W 2L4 Canada  
 Phone : 1 (418) 651-4040  
 E-mail : projects@opsun.com  
 www.opsun.com

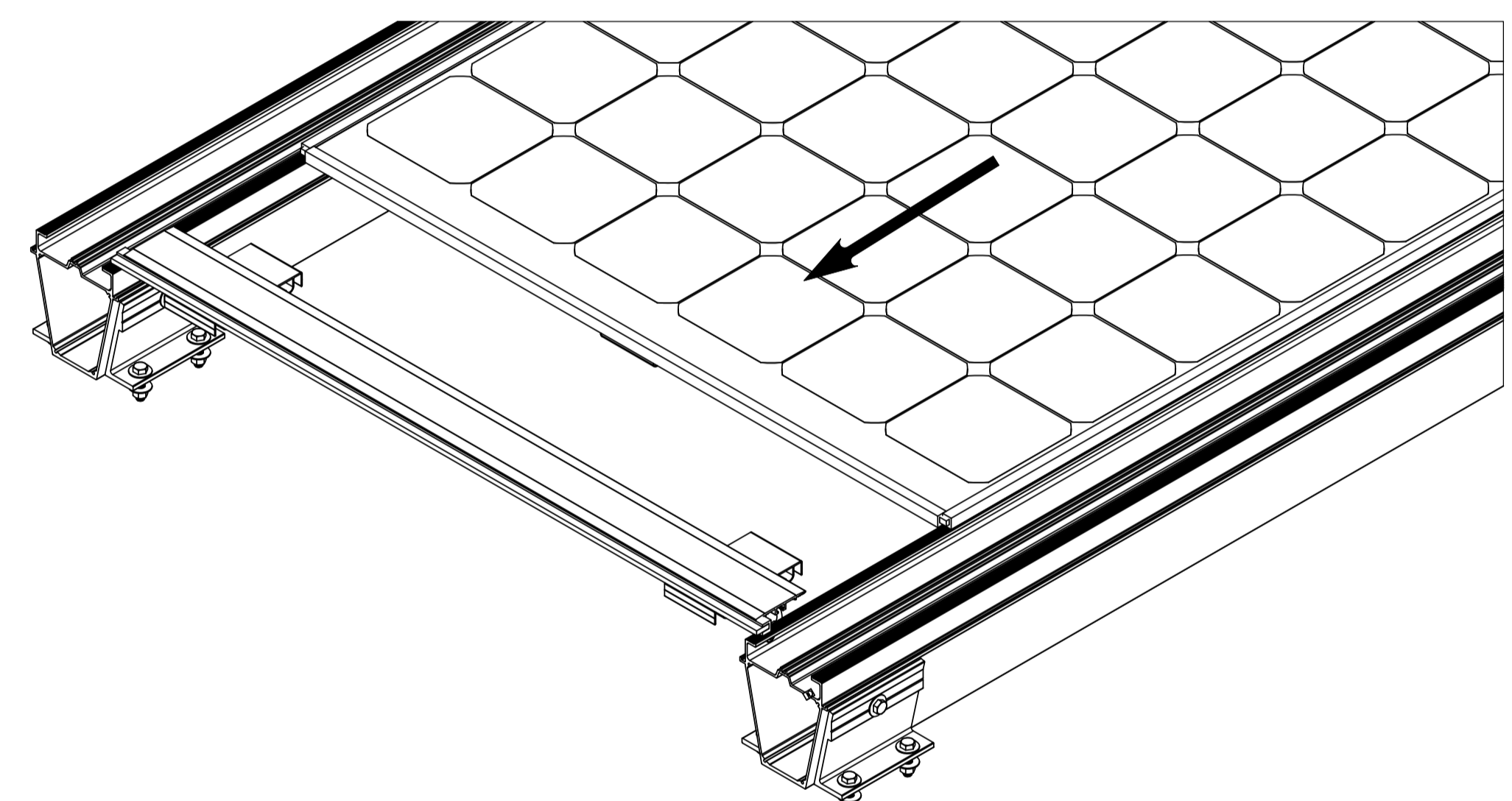
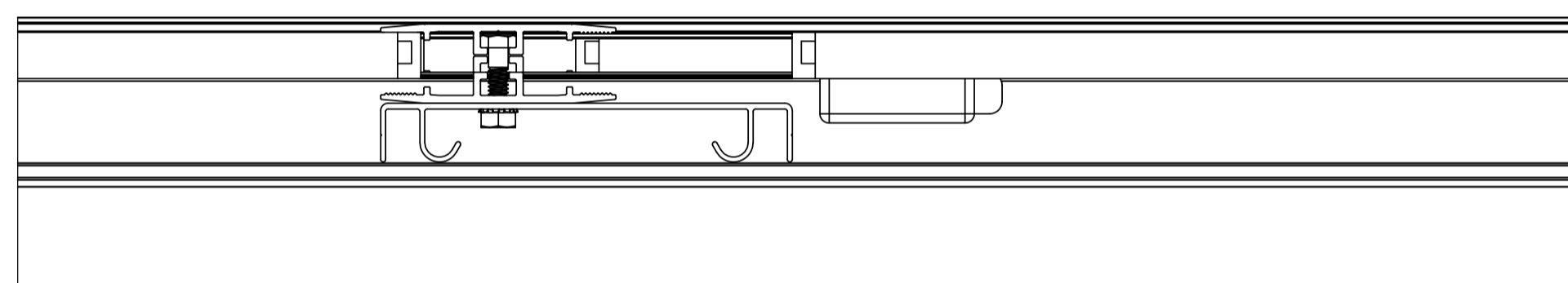
**Notice**  
 All rights reserved. All information contained in this document remains the sole property of Opsun. This document may not be copied, printed, reprinted, or otherwise used without the express written permission from Opsun. Opsun, including its logo, is a registered trademark of Opsun. Any changes made to the present information, or if any missing information is detected, Opsun does not offer any warranty concerning the structural integrity of the building, the integrity of which has solely on behalf of the structural engineer. Any modifications or alterations made to the approved design, final drawings or specifications herein will nullify any warranty offered by Opsun. Any and all proposed changes must first be reviewed, and approved in writing, by Opsun. No warranty is provided or implied by Opsun with respect to, and Opsun shall not be held responsible for, the accuracy, completeness or of the reliability of any not warranty, liability or oncoming of the building, and suitability of the roof to support the installation of such roofing. Do not scale the drawing. By accepting this document, the client understands and agrees in full agreement with the above statement.

1. FIRST, INSTALL THE CP-FILLER FLUSH TO THE CPR6 RAIL, THEN, PLACE A CP-WG AND INSTAL A REGULAR PV PANEL ON THE TOP OF THE CPR6 RAIL WITH THE JONCTION BOX BY THE SIZE OF THE CP-WG.

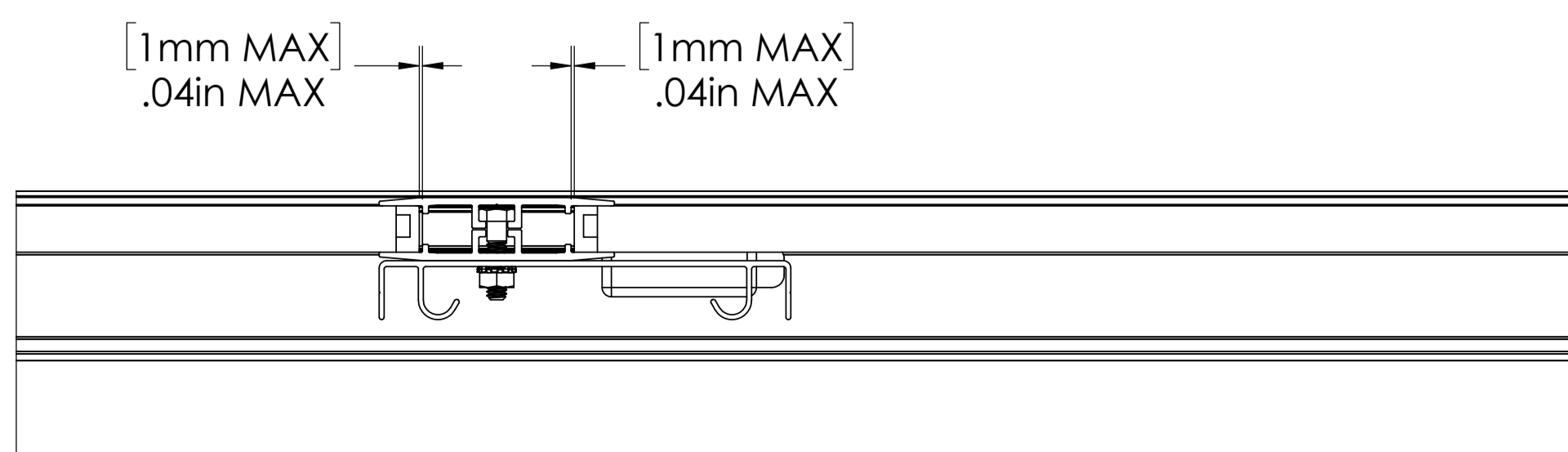
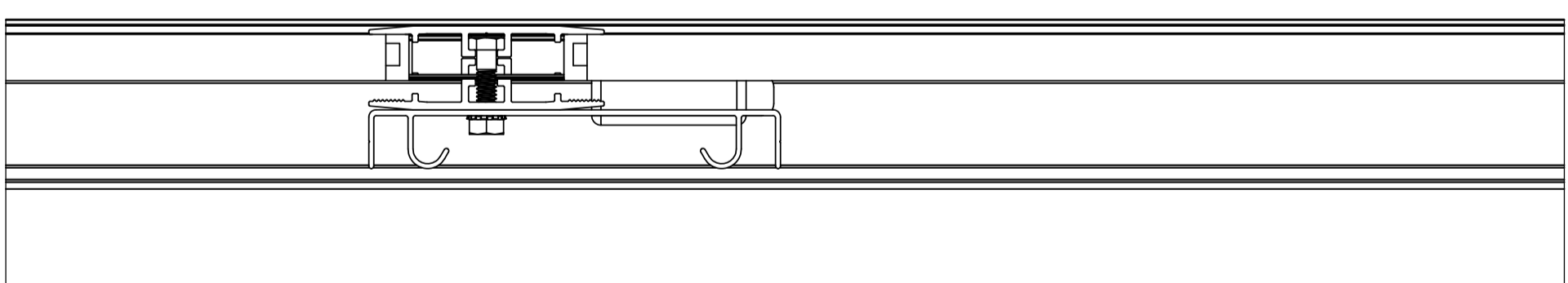
REGULAR PV PANEL WITH RUBBER



2. INSTALL THE CP-WG WITH THE CP-FILLER AND DO NOT THIGHTEN THE CP-WG TO FACILITATE ASSEMBLY WITH THE PANEL



3. INSTALL THE PV PANEL IN THE CP-WG AND THIGHTEN THE CP-WG TO FIX THE PANEL.



**Note**

NOT FOR CONSTRUCTION

**Revision**

Rev.#	Review	Date

**Array Information**

Type of Mounting:  
 Panel Model:  
 PRISM BN72xxx-BSTC  
 Tilt Angle : °  
 Panel Qty :  
 DC Size : kW

**Customer Info**

Phone:  
 Email:

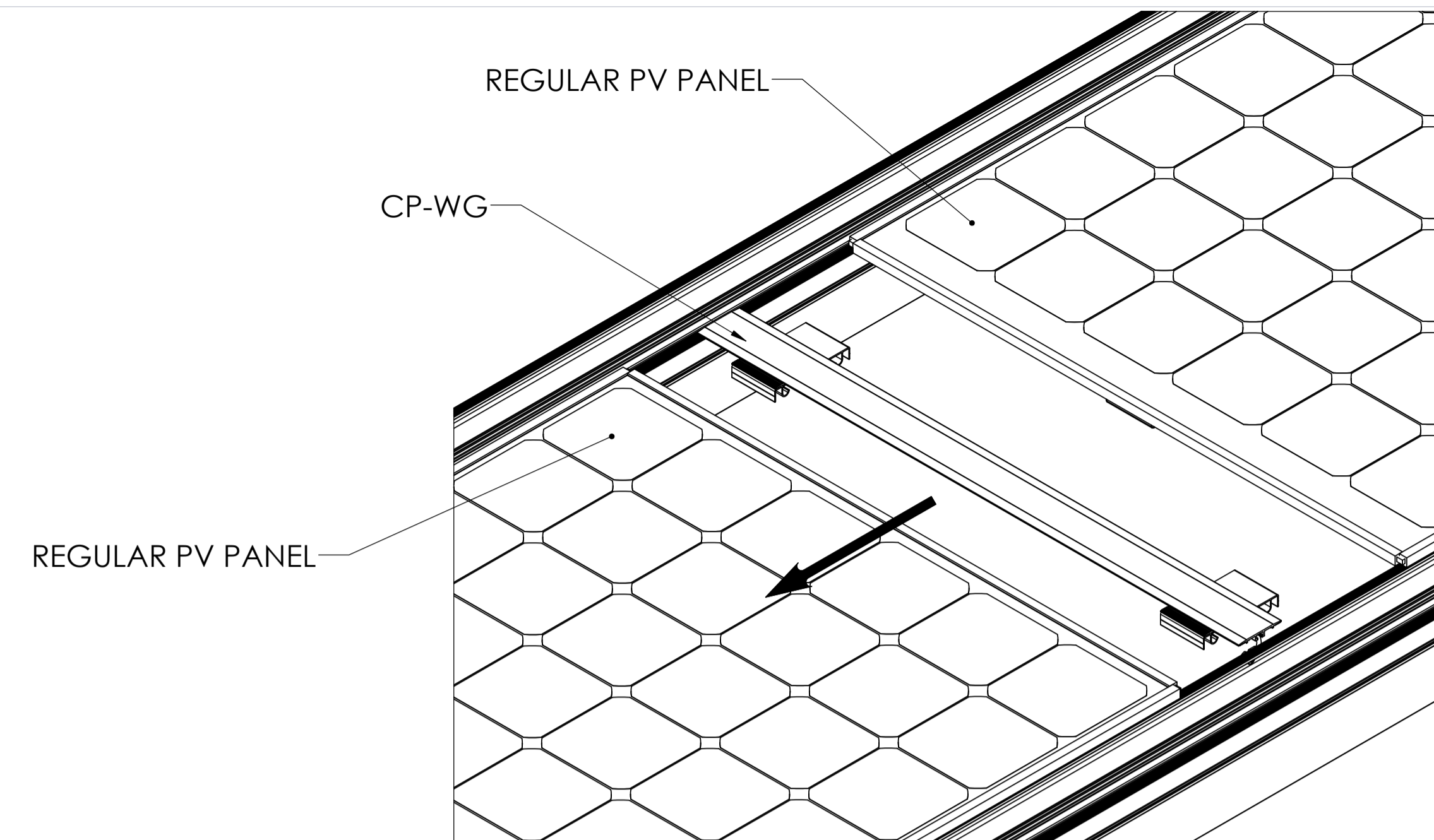
**Project Info**

Project Name:  
 Project Number:  
 Project Address:  
 Title:  
 PV PANELS INSTALLATION 1

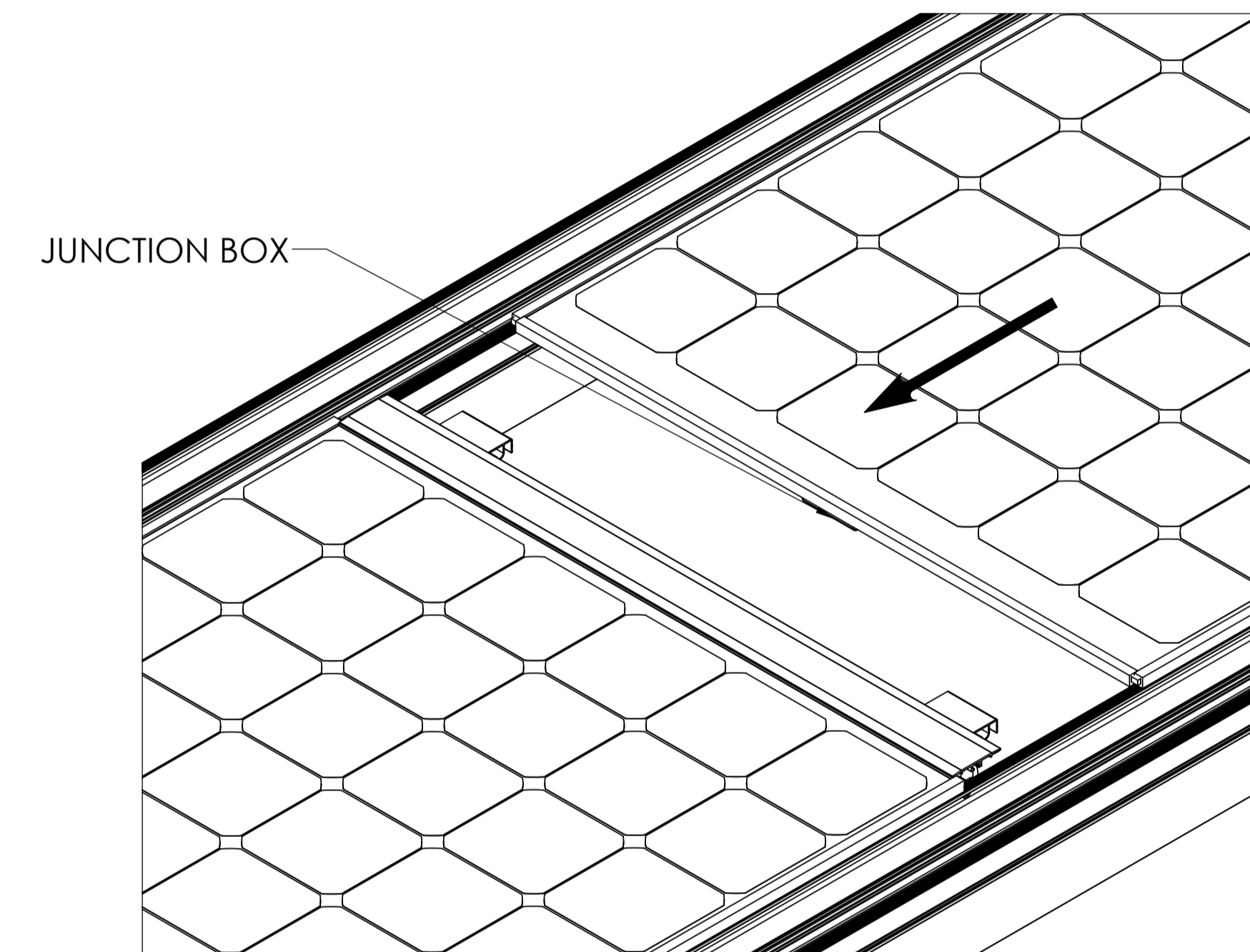
Drawn By: MD      Check By:  
 Drawn Date: 2021-11-11      Rev: 01  
 Scale: 1:48      Page: PV1.803

## PV PANELS INSTALLATION 2

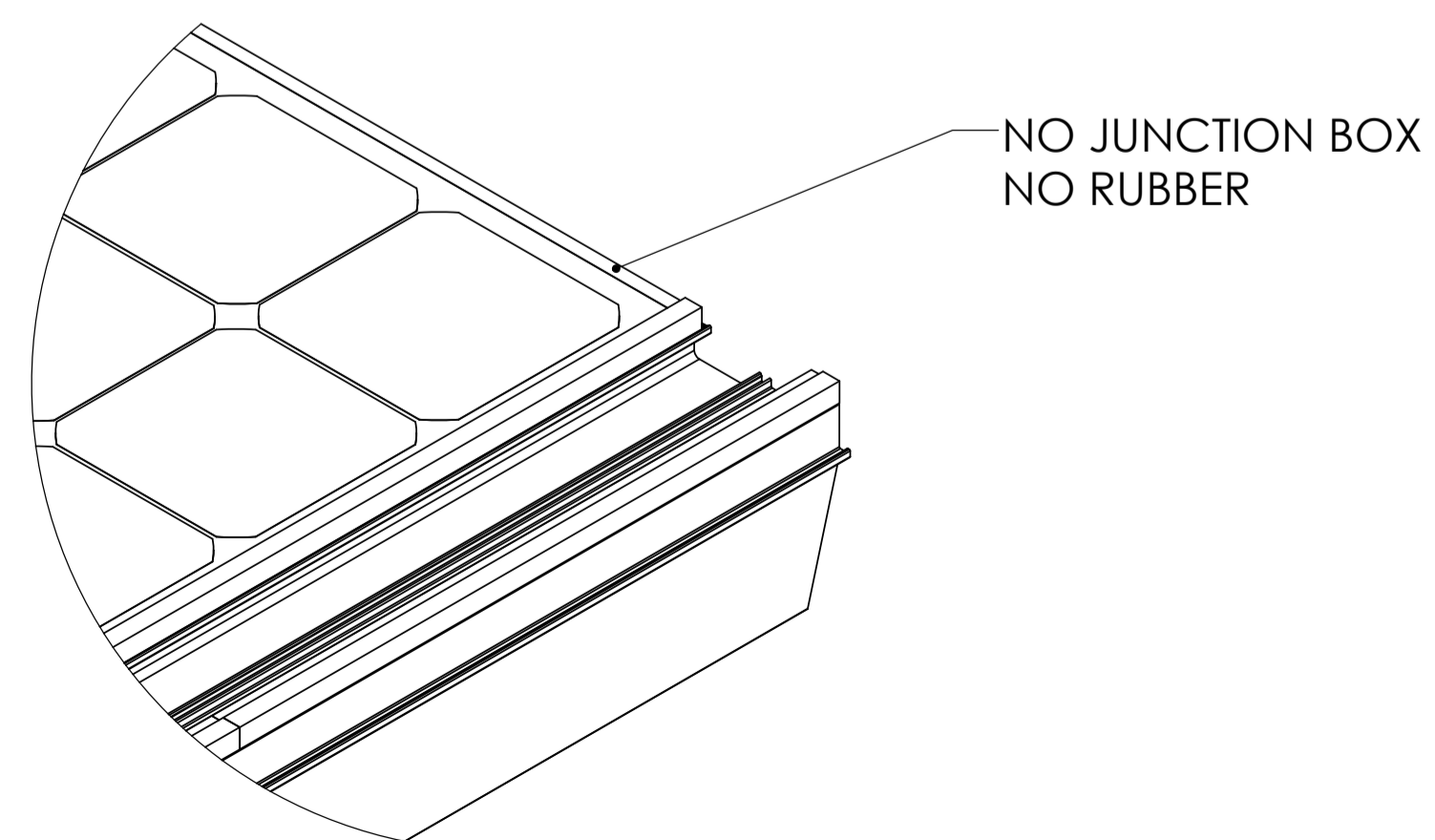
### 4. INSTALL ONE CP-WG BETWEEN EACH PV PANEL



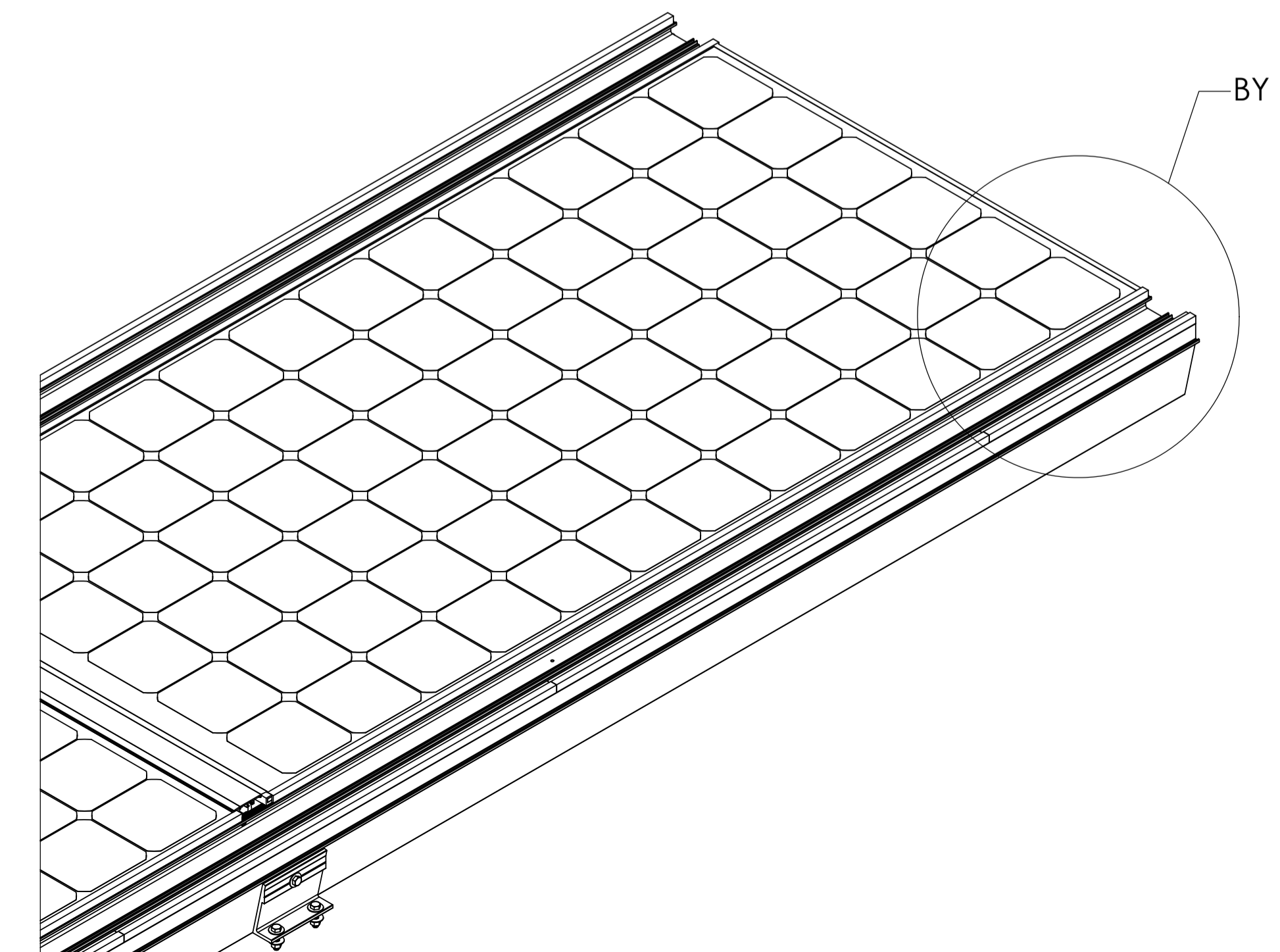
### 5. PUT A REGULAR PV PANELS ON THE TOP OF CPR6 RAIL. BE SURE TO ORIENT THE JUNCTION BOX IN THE SAME THE SIDE FOR EVERY PANEL. **THE JONCTION BOX MUST BE ORIENTED BY THE SIDE OF THE CP-FILLER INSTALLED AT THE STEP ONE.**



### 6. THE LAST PV PANEL OF A STRING MUST BE A "END ROW PANEL" WITH ONLY THREE (3) RUBBERS **DO NOT INSTALL A CP-WG AT THE END OF THE STRING**



**DETAIL BY  
SCALE 1 : 4**



OPSUN SYSTEMS INC.  
779 Ave. De Bourgasagne, Suite 260  
Quebec, Quebec G1W 2L4 Canada  
Phone : 1 (418) 651-4040  
E-mail : projects@opsun.com  
www.opsun.com

**Notice**  
All rights reserved. All information contained in this document remains the sole property of Opsun. This document may not be copied, printed, reproduced, or in any way, including by any electronic means, reproduced, in whole or in part, without the express written permission from Opsun. Any modification made to the present information, or if any missing information is detected, Opsun does not offer any warranty concerning the structural integrity of the building, the integrity of which has always been based on the structural engineer. Any modifications or alterations made to the approved design should be approved in writing by Opsun. No warranty is provided or implied by Opsun with respect to, and Opsun shall not be held responsible for, the accuracy, completeness, or the reliability of any roof warranty, loading or anchoring of the building, and suitability of the roof to support the installation of such roofing. Do not scale the drawing. By accepting this document, the client understands and agrees in full agreement with the above statement.

#### Note

**NOT FOR CONSTRUCTION**

#### Revision

Rev.#	Review	Date

#### Array Information

Type of Mounting:  
Panel Model:  
PRISM BN72xxx-BSTC  
Tilt Angle : °  
Panel Qty :  
DC Size : kW

#### Customer Info

Phone:  
Email:

#### Project Info

Project Name:  
Project Number:  
Project Address:

Title  
PV PANELS INSTALLATION 2

Drawn By: MD  
Check By:  
Drawn Date: 2021-11-11  
Rev: 01  
Scale: 1:48  
Page: PV1.804

**Notice**  
 All rights reserved. All information contained in this document remains the sole property of Opsun. This document may not be copied, printed, retransmitted or otherwise disseminated in any form, in any medium, without the express written permission from Opsun. Any modification made to the present information, or if any missing information is perceived, Opsun does not offer any warranty concerning the structural integrity of the building, the integrity of which has only been verified by the structural engineer. Any modifications or alterations made to the approved design must be reviewed and approved in writing by Opsun. No warranty is provided or implied by Opsun with respect to, and Opsun will not be held responsible for, the accuracy, completeness or the reliability of any roof warranty, loading or anchoring of the building, and suitability of the roof to support the installation of such roofing. Do not scale the drawing. By accepting this document, the client understands and agrees in full agreement with the above statement.

**Note**

NOT FOR CONSTRUCTION

**Revision**

Rev.#	Review	Date

**Array Information**

Type of Mounting:  
 Panel Model:  
 PRISM BN72-xxx@BSC  
 Tilt Angle : °  
 Panel Qty :  
 DC Size : kW

**Customer Info**

Phone:  
 Email:

**Project Info**

Project Name:  
 Project Number:  
 Project Address:

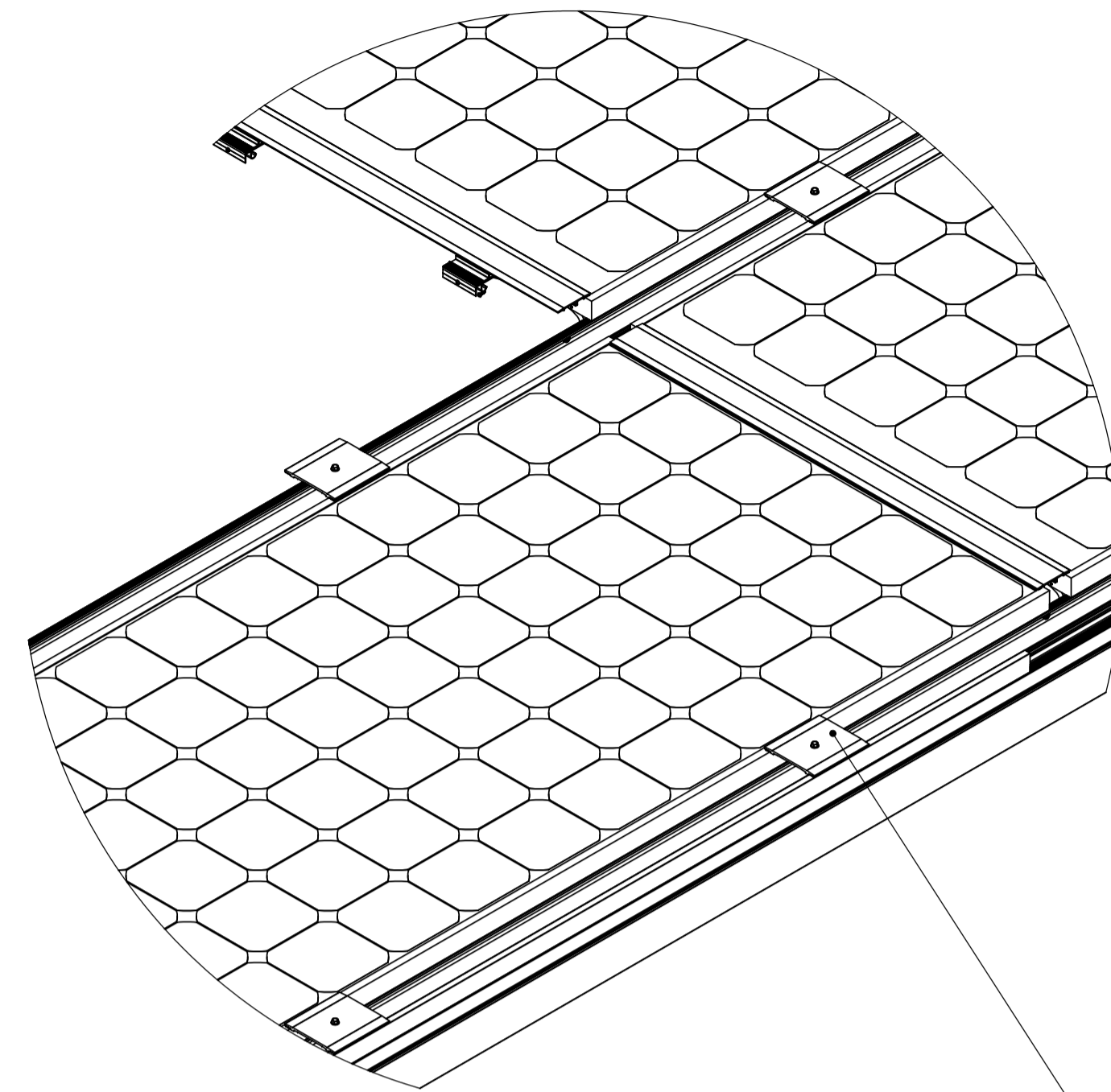
Title:  
 INSTALLATION ADVICES

Drawn By:	Check By:
Drawn Date: 2021-11-11	Rev 01
Scale: 1:24	Page: PV1.821

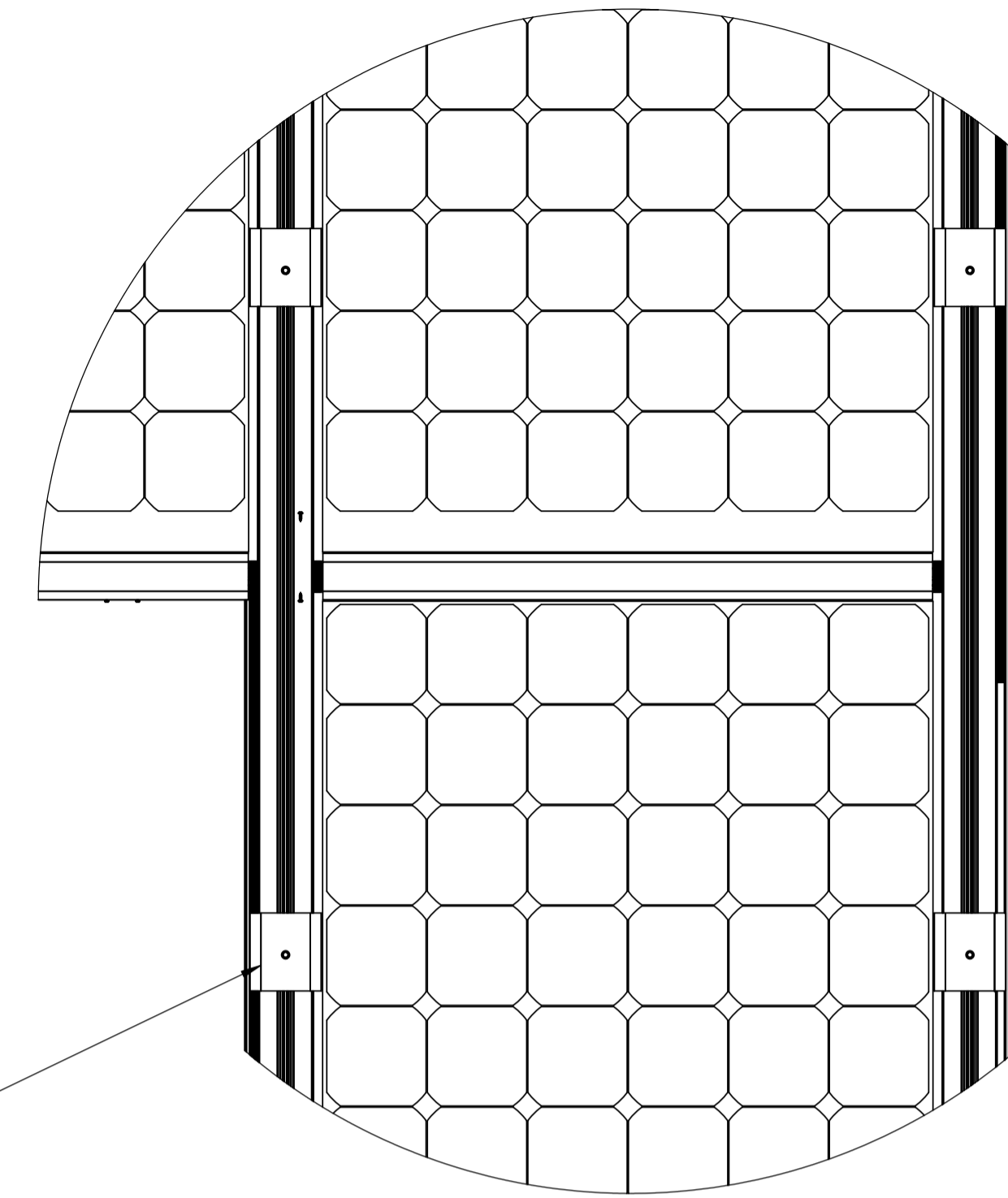
# INSTALLATION ADVICES

## INSTALLATION ADVICES

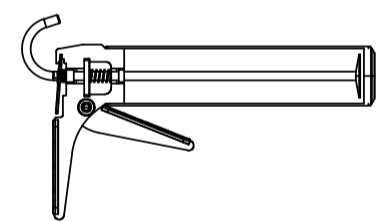
TO MAINTAIN PV PANELS IN POSITION DURING INSTALLATION AND WIRE MANAGEMENT, USE LITTLE PIECES OF CP-TP1 AND SCREW THEM TEMPORARILY IN THE CPR6 RAIL. THAT WILL FIX PV PANELS AND KEEP THE ACCES TO THE SLOTS INSIDE THE CPR6 RAIL TO BE ABLE TO MANAGE WIRES. TO FINISH THE INSTALLATION, TAKE OF THE LITTLE PIECES OF CP-TP1 AND INSTALL THE LONG CP-TP1 PROVIDED FOR THIS PURPOSE ON THE TOP OF CPR6 RAIL



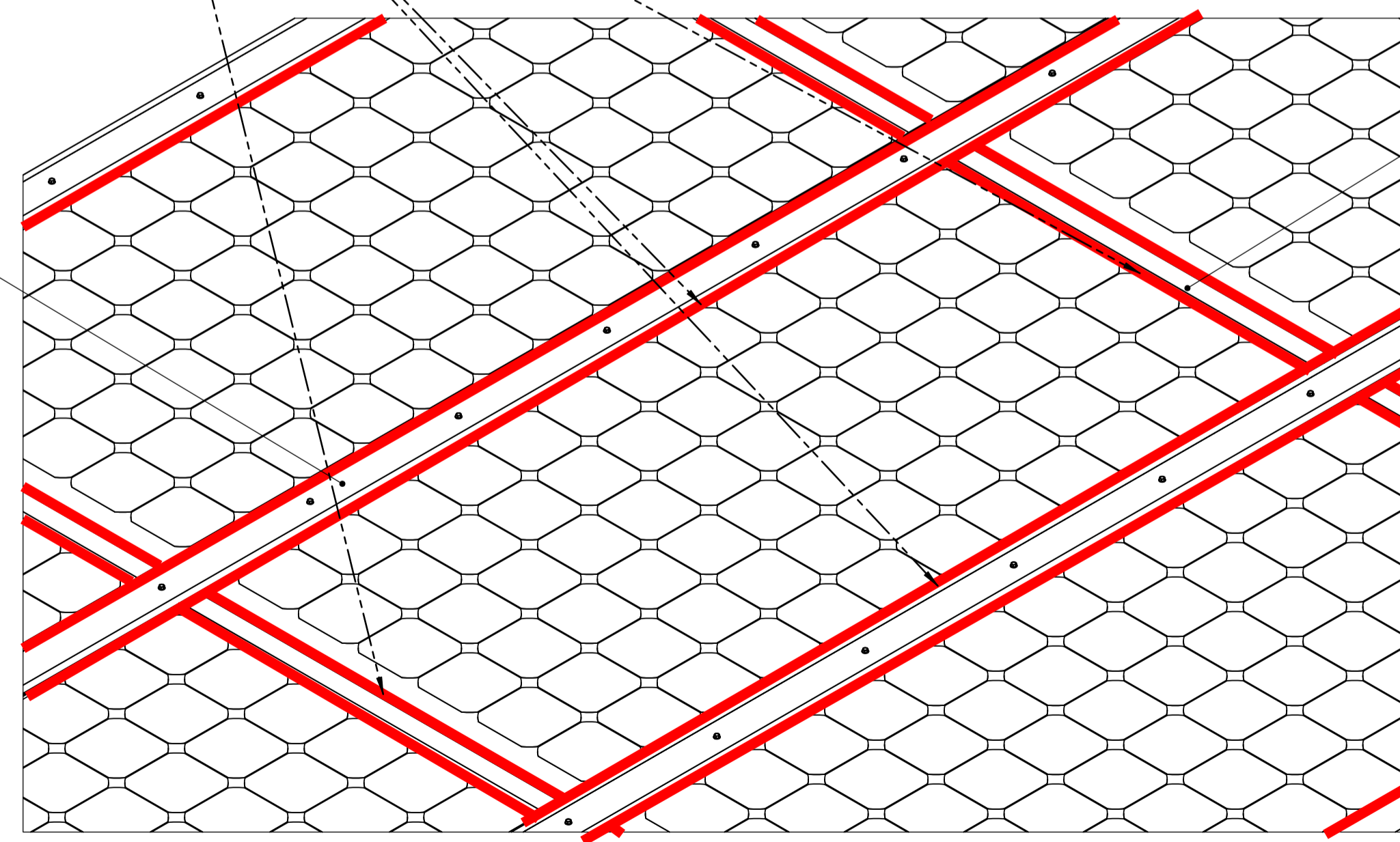
TEMPORARILY INSTALLED CP-TP1



TO ENSURE MINIMAL WATER PENETRATION, APPLY SILICONE USING A CAULKING GUN ON THE EDGES OF THE CP-TP1 AND THE CP-TP3 IN CONTACT WITH THE PV-PANELS TO SEAL THE GAPS BETWEEN THE PIECES AND/OR ADD EPDM TAPE ON THE 4 EDGES OF THE PV-PANEL (PROVIDED BY OTHERS)



CP-TP1



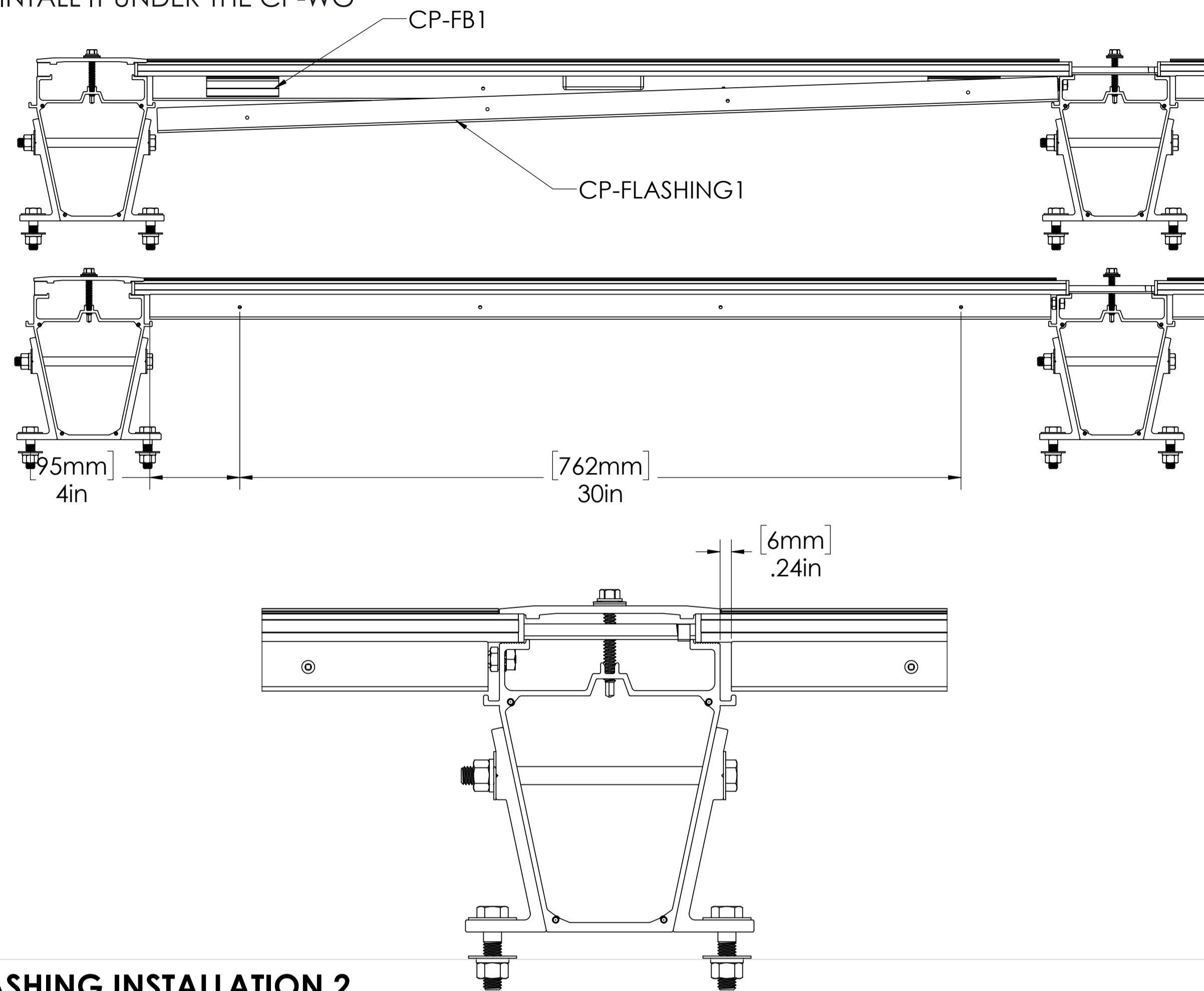
CP-TP3



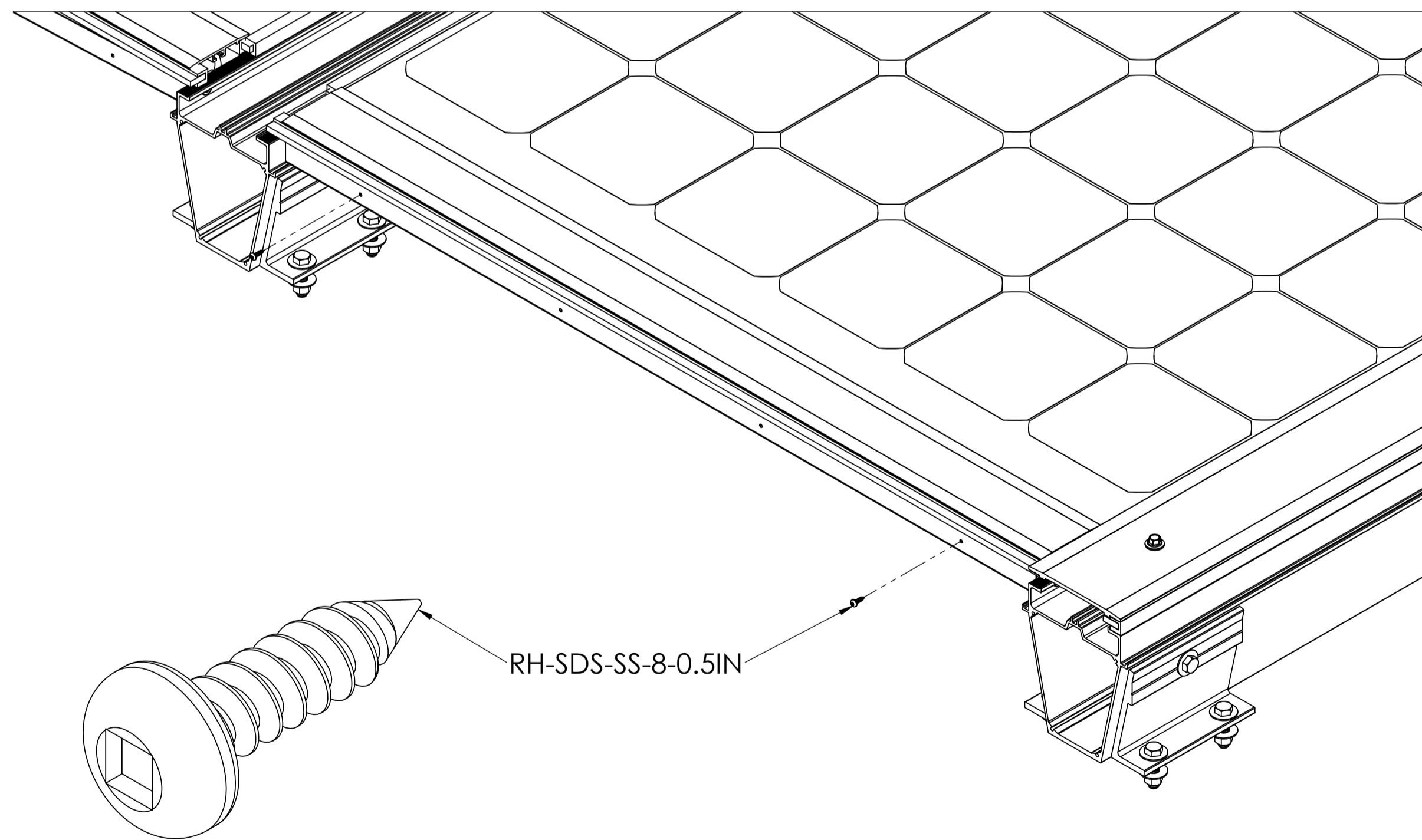
# FINISH INSTALLATION

## CP FLASHING INSTALLATION 1

AFTER FINISHING CONNECTING WIRES, TAKE THE CP-FLASHING, TILT IT, AND INTALL IT UNDER THE CP-WG

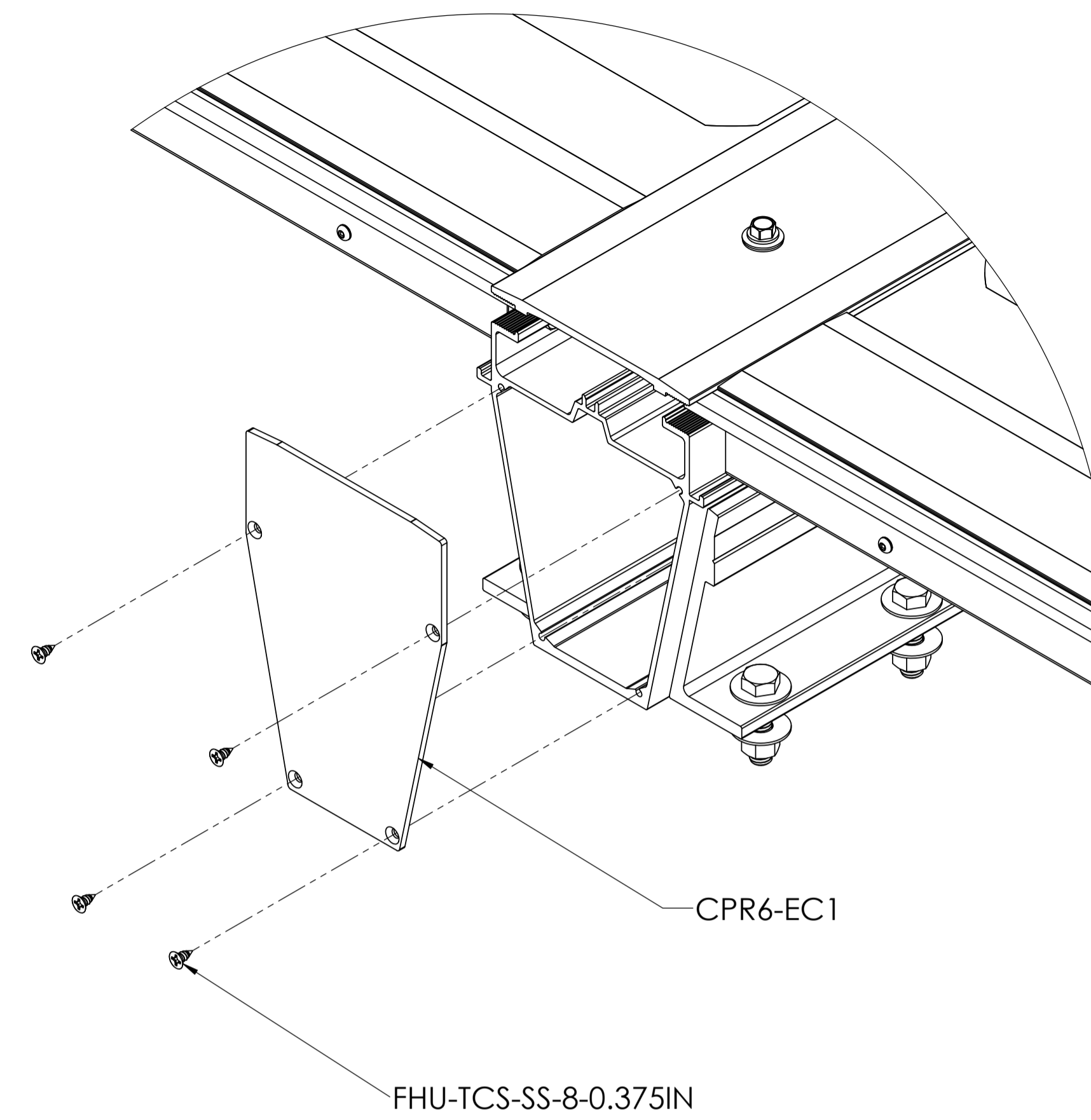


## CP FLASHING INSTALLATION 2

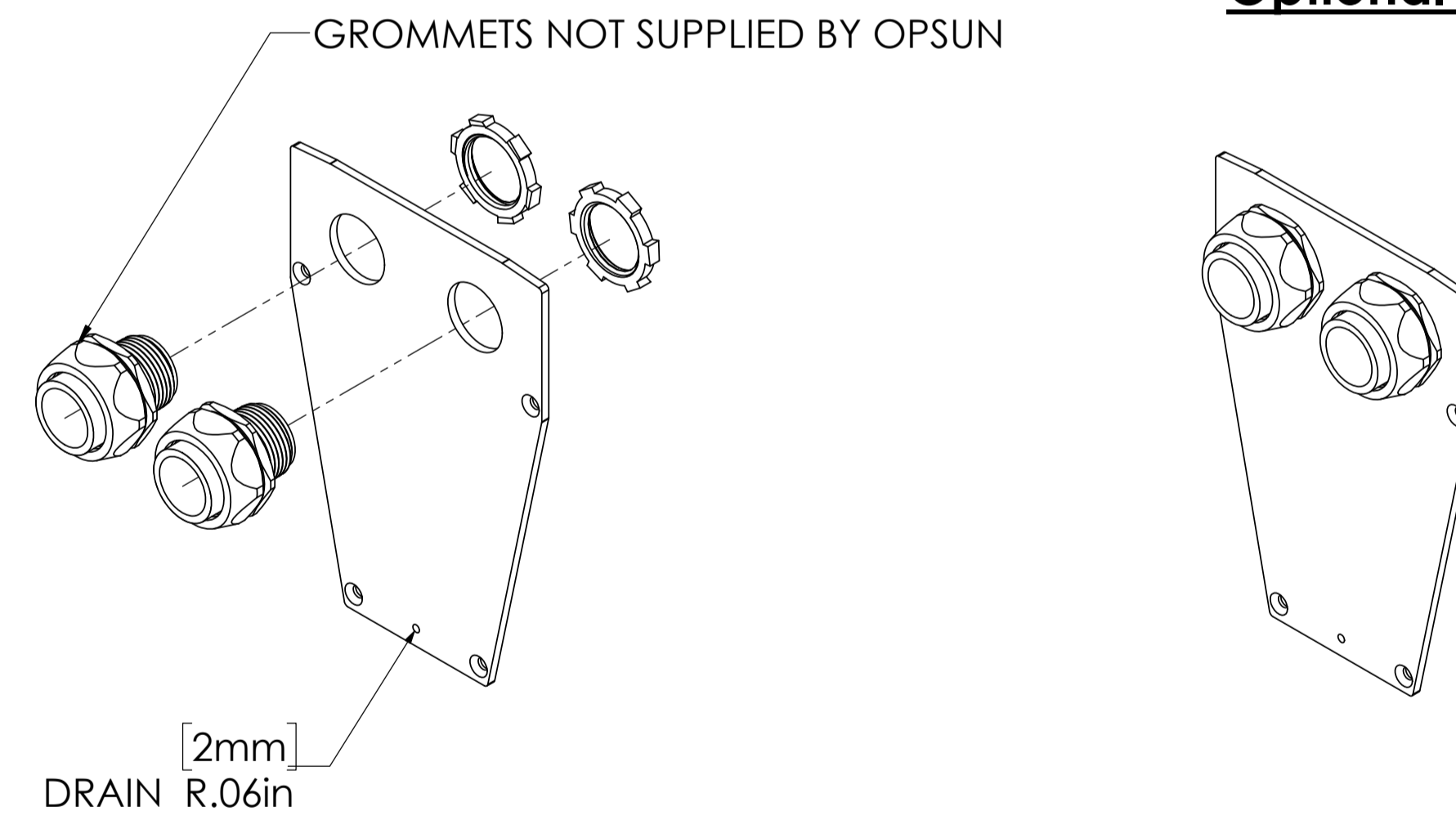


USE THE RH-SDS-SS-8-0.5IN AND SCREW IT THROUGHT THE CP-F1 TO FIX THE CP-FLASHING IN POSITION.

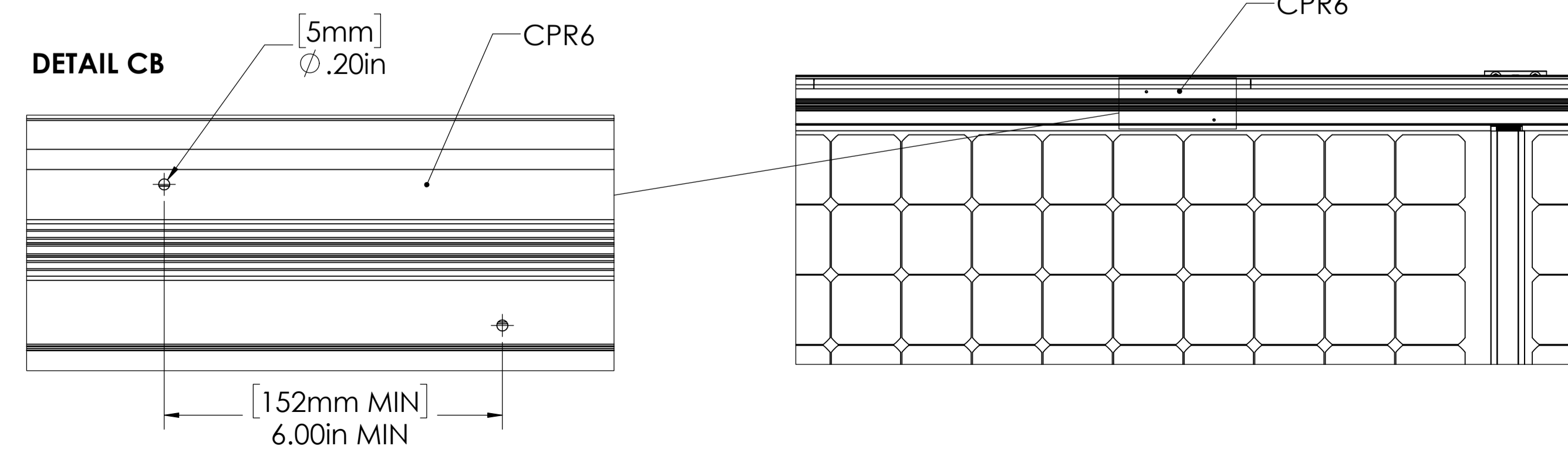
## CAP INSTALLATION



## Optional Suggested Drilling



IF CPR6 RAILS ARE PERPENDICULARE AT THE SLOPE, TO ALLOWED EVACUATION OF THE WATER, DRILL SOME HOLES IN THE TOP OF THE CRP6-RAIL. TWO HOLES MUST BE 6IN SPACED AND LOCATED NEAR THE MIDDLE OF THE BEAM SPAN.



OPSUN SYSTEMS INC.  
779 Ave. De Bourgasagne, Suite 260  
Quebec, Quebec G1W 2L4 Canada  
Phone : 1 (418) 651-4040  
E-mail : projects@opsun.com  
www.opsun.com

**Notice**  
All rights reserved. All information contained in this document remains the sole property of Opsun. This document may not be copied, printed, reproduced, or in any way, including by any electronic means, reproduced, in whole or in part, without express written permission from Opsun. Any change or modification to the present information, or if any missing information is detected, Opsun does not offer any warranty concerning the structural integrity of the building, the integrity of which has safety on behalf of the structural engineer. Any modifications or alterations made to the approved design must be reviewed and approved in writing by Opsun. No warranty is provided or implied by Opsun with respect to any claims that may be made regarding the use of any product, including or not, of the building, and the liability of the roof to support the installation of such roofing. Do not scale the drawing. By accepting this document, the client understands and agrees in full agreement with the above statement.

### Note

NOT FOR CONSTRUCTION

### Revision

Rev.#	Review	Date

### Array Information

Type of Mounting:  
Panel Model:  
PRISM BN72-xxx@BSC  
Tilt Angle : °  
Panel Qty :  
DC Size : kW

### Customer Info

Phone:  
Email:

### Project Info

Project Name:  
Project Number:  
Project Address:  
Title: FINISH  
Drawn By:      Check By:  
Drawn Date: 2021-11-11      Rev: 01  
Scale: 1:2      Page: PV1.822

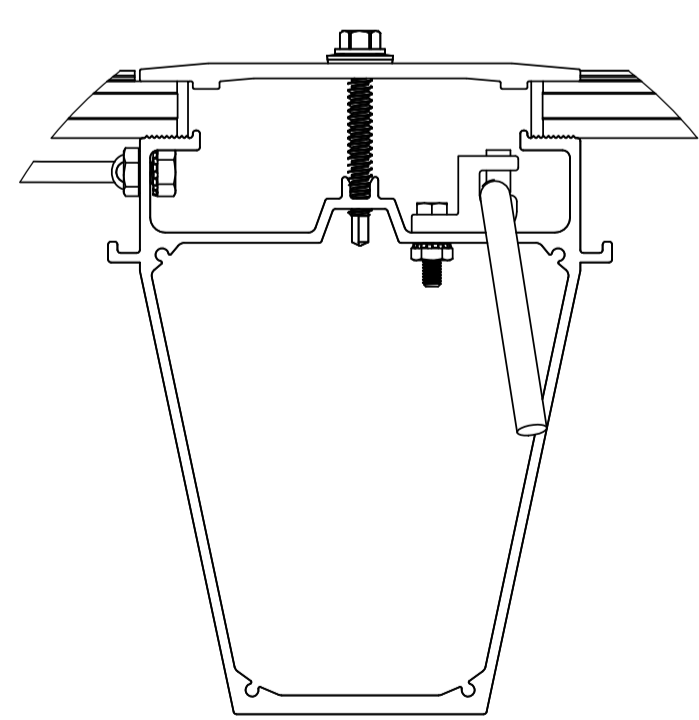
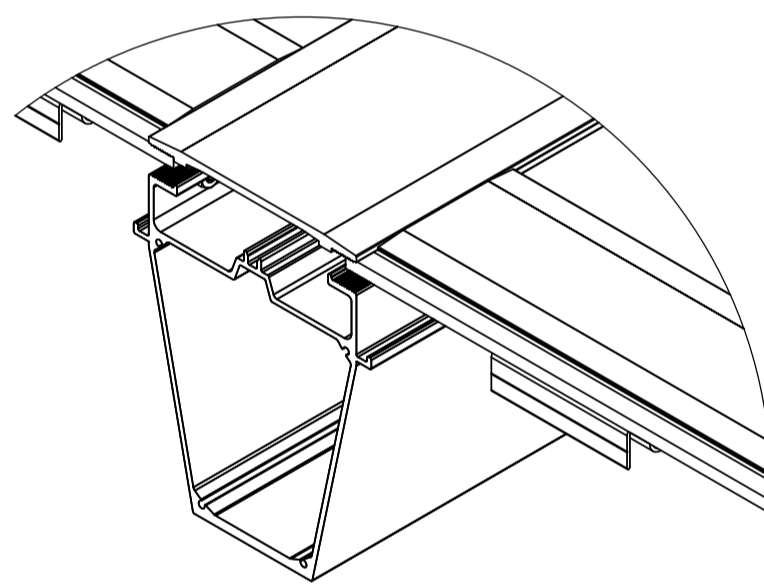
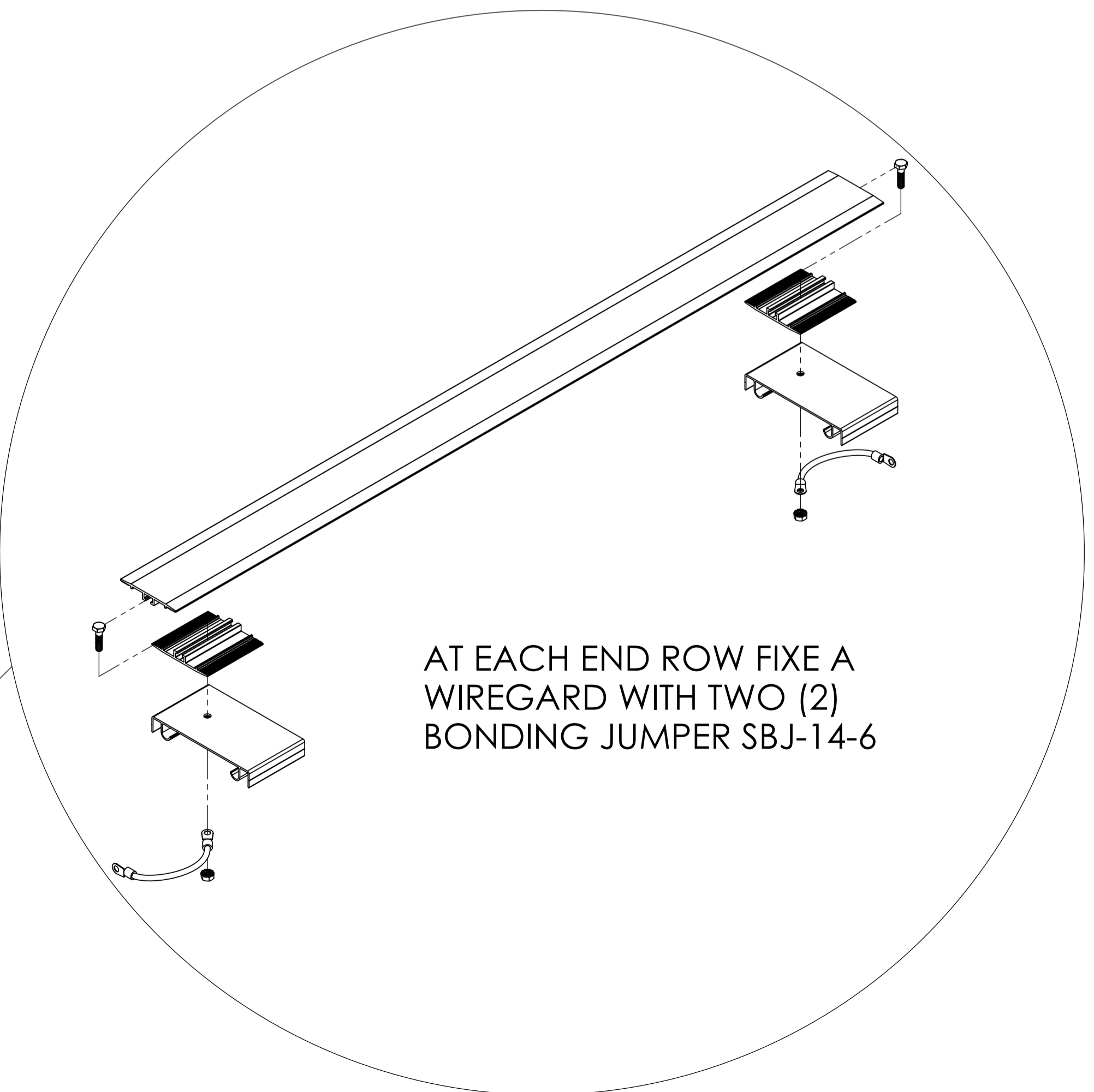
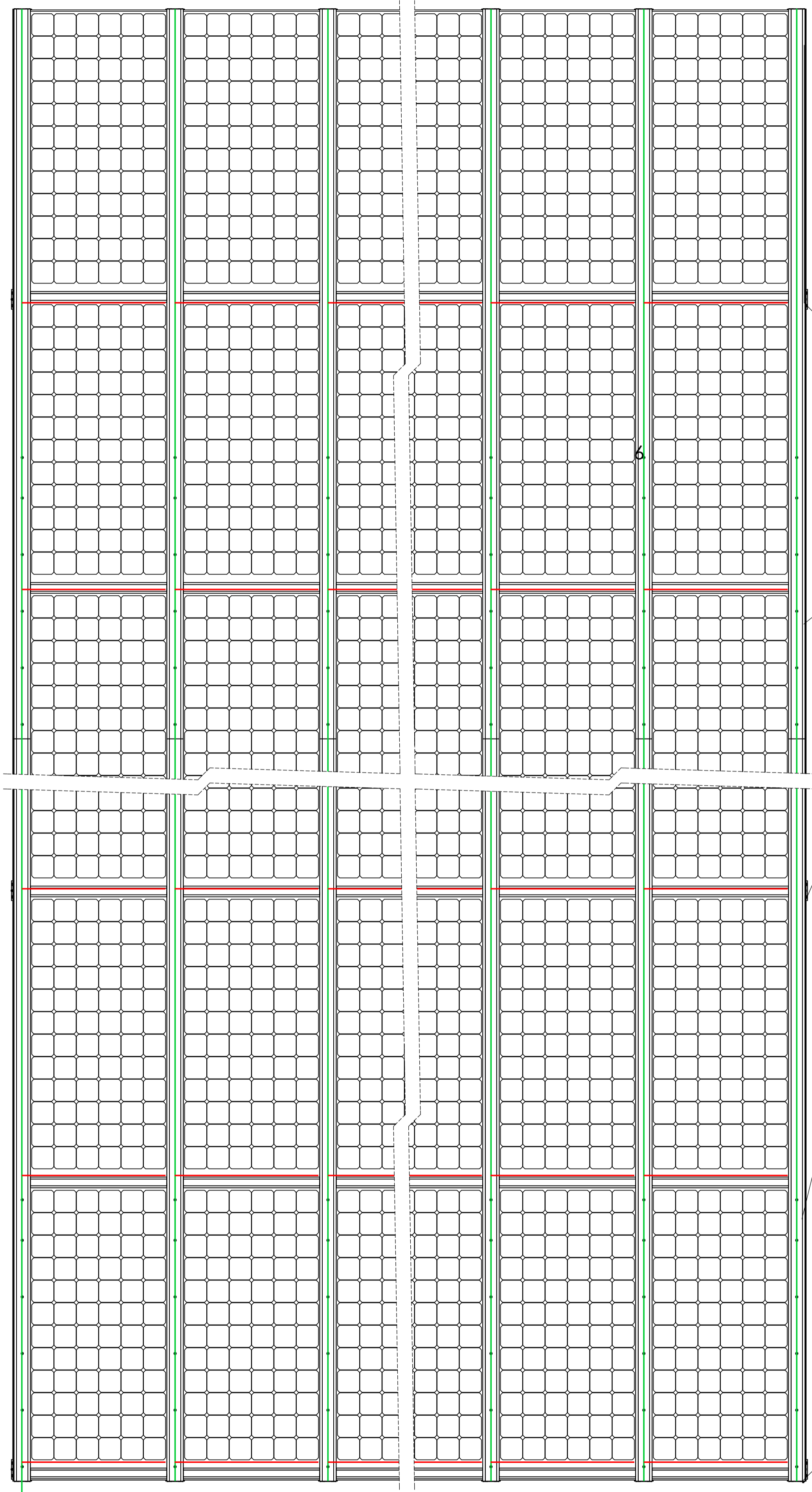


# BOUNDING PATH



OP SUN SYSTEMS INC.  
 779 Ave. de Bourgette, Suite 260  
 Québec, Québec G1W 2L4 Canada  
 Phone : 1 (418) 651-4040  
 E-mail : projects@opsun.com  
 www.opsun.com

**Notice**  
 All rights reserved. All information contained in this document remains the sole property of Opsun. This document may not be copied, printed, reproduced, in whole or in part, without the written permission from Opsun. Further notice:  
 Contributor has to notify Opsun in writing of any change made to the present information, or if any missing information is detected. Opsun does not offer any warranty concerning the structural integrity of the building, the integrity of which has to be verified by the structural engineer. Any modifications or alterations made to the approved design must be approved in writing by Opsun. No warranty is provided or implied by Opsun with respect to any claims that may be made regarding the integrity, loadability or anchoring of the building and stability of the roof to support the installation of such racking. Do not scale the drawing. By accepting this document, the client understands and agrees in full agreement with the above statement.



## Note

NOT FOR CONSTRUCTION

## Revision

Rev.#	Revision	Date

## Array Information

Type of Mounting:  
 Panel Model:  
 PRISM BN72-xxx(BSTC)  
 Tilt Angle : °  
 Panel Qty :  
 DC Size : kW

## Customer Info

Phone:  
 Email:

## Project Info

Project Name:  
 Project Number:  
 Project Address:

Title  
**BOUNDING PATH**

Drawn By:      Check By:  
 Drawn Date:      Rev  
 2021-11-11      01  
 Scale:      Page:  
 1:48      PV1.824