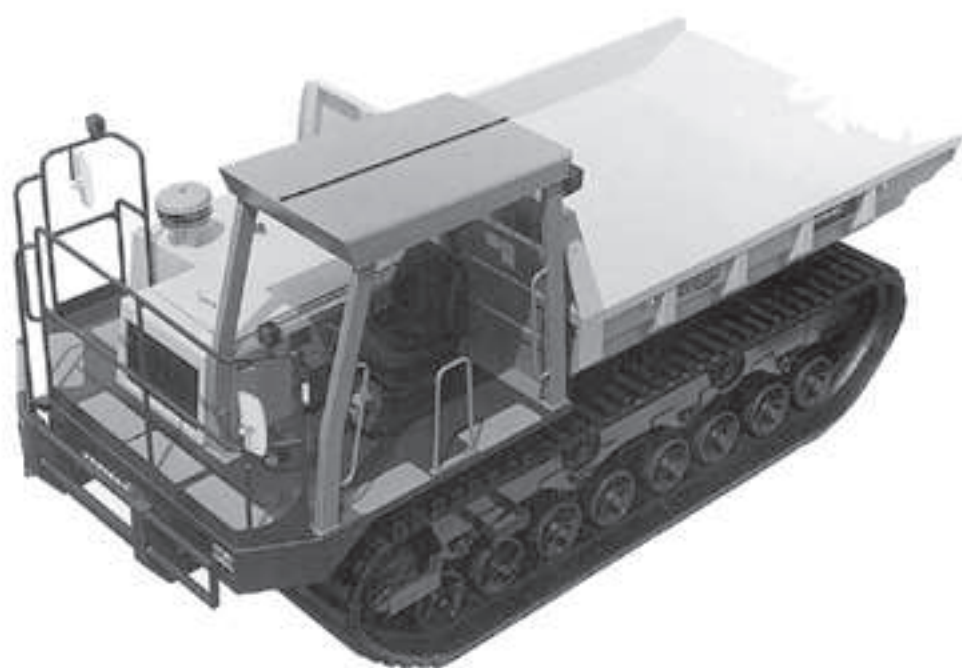




PARTS CATALOG

C80R-2



P R E F A C E

1. This parts catalog is the 1st edition of Yanmar rubber crawler carrier C80R -2.

Pub. No. : 000Y00K3400

Published : Aug., 1997

2. Model name

SECTION	Column	Model name	Manufactured
I (Vehicle)	(A)	C80R -2	1996/ 9 ~
II (Engine)	(A)	H07C - T	1996/ 9 ~

3. Your understanding is asking that this parts catalog is not a technical data manual setting forth as servicing procedures, This parts catalog is using simplified illustration. Be sure to use Yanmar Genuine Parts in your maintenance servicing of Yanmar products. Be careful not to use the simple parts available in the market ; otherwise their use in repairing causes such as an early breakage, for instance.

Directions for the Parts Catalog.

1. The parts stipulated in this Parts Catalog are not necessarily standard equipped parts.
2. Parts may change without prior notice.
3. The following is an example of the Parts Catalog format.

OCF10-G21601 29. FUEL INJECTION PUMP(W/BOOST)

REF.	LEV.	PARTS NO.	DESCRIPTION	Q'TY						I	R
				(A)	(B)	(C)	(D)	(E)	(F)		
1	1	729595-51390	FUEL INJECTION PUMP	1	1	1	1	1			1
1-1	1	729595-51391	FUEL INJECTION PUMP	1	1	1	1	1		N	1
		(A=E00185) (B=E00200)									
3	2	26022-060162	SCREW M 6X 16	9	9	9	9	9			
3-1	2	26022-060162	SCREW M 6X 16	4	4	4	4	4		K	
		(A=E00156) (B=E00156) (C=E00156) (D=E00156) (E=E00156)									
4	2	129470-51040	CAMSHAFT	1	1	1	1	1			
5	2	122710-51050	BEARING, ROLLER	2	2	2	2	2			
6	2	129470-51060	RETAINER	1	1	1	1	1			

Remarks

(1) BOOST COMPEMSATOR TYPE. OPTIONAL PART, TO E00155,(4JH-DT, 4JH-DTZ

① Ref. No.

The Ref. No. listed may not be in accordance with the illustration Ref. No.

(Ex.) Illustration No. List Ref No.
 1 1 (Before change) → 1-1 (After change)

For interchangeable symbols N, R and K, illustrations for new parts may be abbreviated.

② Lev. (Level)

Level indication

The numbers below indicate the level of relativity towards the main part.

- 1 ---- Main parts (Assembly parts)
- 2 ---- Sub component included in " 1 "
- 3 ---- Sub component included in " 2 "

Note) Parts that are not for sale are partially illustrated but not listed.

③ Interchangeability Mark

When a part change takes place, one of the following interchangeability symbols is indicated beside the part.

Symbol	Interchangeability	Contents note
N	Old $\xleftarrow{\text{Yes}}$ New $\xrightarrow{\text{No}}$	New Part is interchangeable for Old Part but Old Part is not interchangeable for New Part.
Q	Old $\xleftarrow{\text{No}}$ New $\xrightarrow{\text{Yes}}$	New Part is not interchangeable for Old Part but Old Part is interchangeable for New Part.
R	Old $\xleftarrow{\text{Yes}}$ New $\xrightarrow{\text{Yes}}$	New/ Old Parts are both interchangeable.
S	Old $\xleftarrow{\text{No}}$ New $\xrightarrow{\text{No}}$	New/ Old Parts are both not interchangeable.
W		Part newly added.
Z		Part discontinued.
F		Not interchangeable by a single part but interchangeable together with related parts.
K		Changes only for used parts quantities.

④ Effective Machine No.

When a part changes, the effective Machine No. will be indicated in the (A)-(F) column.

Product Symbol	Product No.	Product Symbol	Product No.
C	Clutch No. Compressor No.	F	Machine No. (Agricultural Equip.)
D	Drive No.	M	Machine No.
E	Engine No.		

Note 1) A date may follow the symbol. (Ex.) 1996.01

Note 2) "XXXXX" and "ZZZZZ" are for parts that could not be predicted or for engine models that could not be identified.

Note 3) (A=E00185) is the E (Engine Serial Number) for the column (A) model (in this case 4JH-DT) after the parts design change.

⑤ Remarks Mark

Figures or alphabets (symbols) are entered in the remarks column.

The comments (remarks) on parts that are indicated at the bottom of the illustration are the same symbols as those stated above.

絵目次…主要部分
 PICTURESQUE INDEX...MAIN PARTS SECTION

バックミラー.....Fig. 37
 BACK MIRROR

手摺.....Fig. 33, 34
 HAND RAIL

ラジエーター 及び エンジンマウント.....Fig. 10
 RADIATOR & ENGINE MOUNT

燃料タンク.....Fig. 29
 FUEL OIL TANK

ガード(OPT.).....Fig. 35
 GUARD (OPTION)

キャノピー.....Fig. 45
 CANOPY

ベッセル.....Fig. 50
 VESSEL

カバー(2/3).....Fig. 31
 COVER(2/3)

フレーム.....Fig. 1
 FRAME

カバー(1/3).....Fig. 30
 COVER(1/3)

エンジン コントロール.....Fig. 14
 ENGINE CONTROL

アイドラー.....Fig. 5
 IDLER

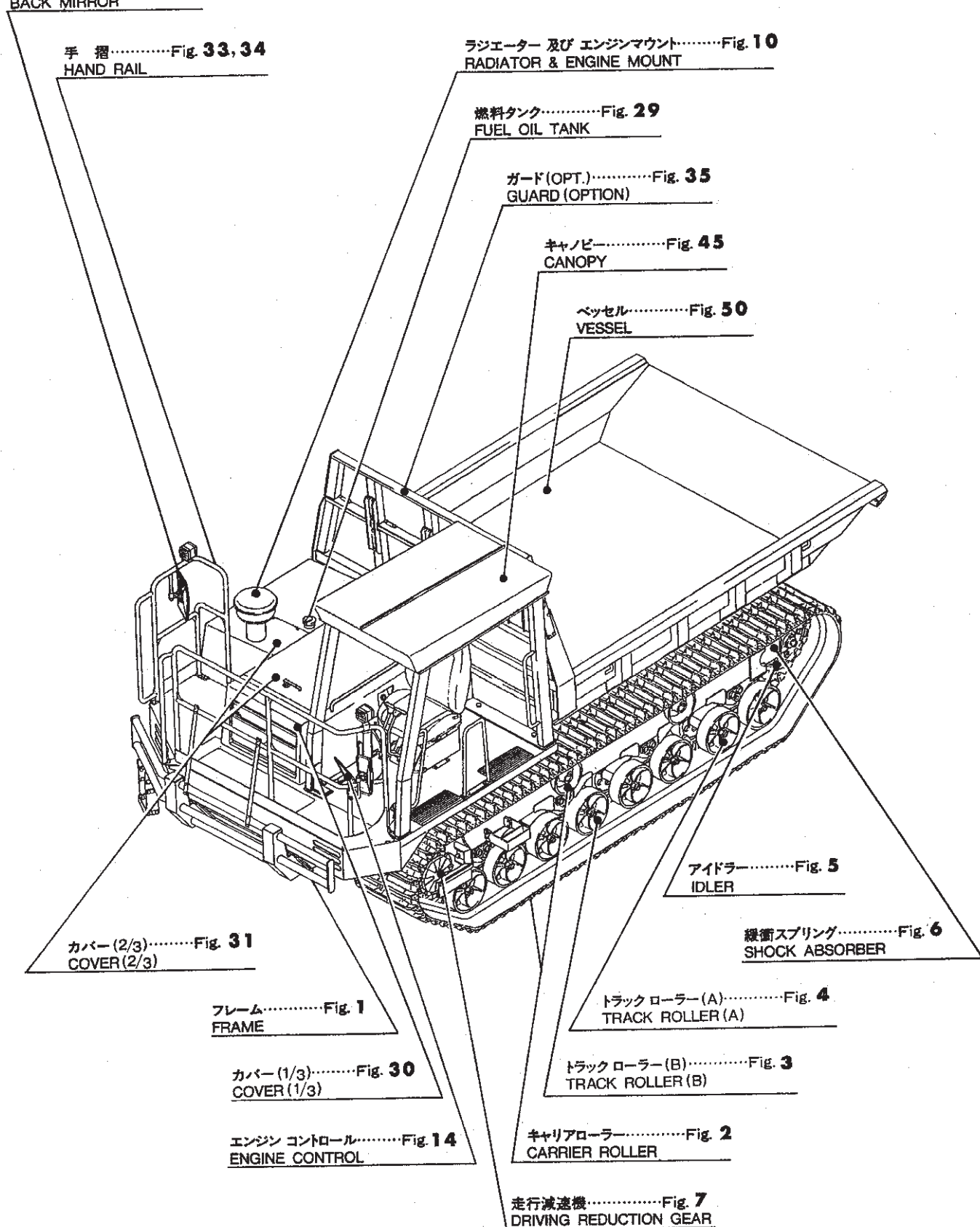
緩衝スプリング.....Fig. 6
 SHOCK ABSORBER

トラック ローラー(A).....Fig. 4
 TRACK ROLLER (A)

トラック ローラー(B).....Fig. 3
 TRACK ROLLER (B)

キャリアローラー.....Fig. 2
 CARRIER ROLLER

走行減速機.....Fig. 7
 DRIVING REDUCTION GEAR



CONTENTS

MODEL : C80R-2(B5760)

PC NO : 0CK30-G34000

Fig.No.	GROUP NAME
	VEHICLE C80R-2
1.	FRAME
2.	CARRIER ROLLER
3.	TRUCK ROLLER(B)
4.	TRUCK ROLLER(A)
5.	IDLER
6.	SHOCK ABSORBER
7.	DRIVING REDUCTION GEAR
8.	DRIVING LEVER
9.	DUMP LEVER
10.	ENGINE RELATED DEVICE
11.	MUFFLER
12.	CONTROL BOX (M/#20501C-20544C)
13.	CONTROL BOX (M/#20545C-)
14.	ENGINE CONTROL
15.	WIRING DIAGRAM (M/#20501C-20544C)
16.	ERECTRICAL WIRING (M/#20545C-)
17.	BATTERY
18.	BACK LIGHT & HEAD LIGHT
19.	WINDOW WASHER(OPTIONAL)
20.	RADIO(OPTIONAL)
21.	CONTROL VALVE
22.	HYDRAULIC OIL PIPING(1/2)(M/#20501C-20544C)
23.	HYDRAULIC OIL PIPING(1/2)(M/#20545C-)
24.	HYDRAULIC OIL PIPING(2/2)
25.	HYD.OIL PUMP DRIVING DEVICE (M/#20501C-20544C)
26.	HYD.OIL PUMP DRIVING DEVICE (M/#20545C-)
27.	HYDRAULIC OIL TANK
28.	HYD.OIL TANK(FLAT BODY SPEC.)(OPTIONAL)
29.	FUEL OIL TANK

Fig.No.	GROUP NAME
30.	COVER (1/3)
31.	BONNET & COVER(2/3)
32.	COVER(3/3)
33.	HANDRAIL (M/#20501C-20538C)
34.	HANDRAIL (M/#20539C-)
35.	GUARD(OPTIONAL)
36.	CABIN GUARD(OPTIONAL)
37.	BACK MIRROR
38.	FLOOR MAT
39.	OPERATOR SEAT
40.	CABIN(1):OPTIONAL
41.	CABIN(2):OPTIONAL
42.	CABIN(3):OPTIONAL
43.	CABIN(4):FRONT SASH(OPTIONAL)
44.	CABIN(5):DOOR(OPTIONAL)
45.	CANOPY
46.	HEATER(OPTIONAL)
47.	DEFROSTER(OPTIONAL)
48.	COOLER(1):OPTIONAL
49.	COOLER(2):OPTIONAL
50.	VESSEL
51.	REAR LINK(OPTIONAL)
52.	VESSEL,WITH REAR FLAP(OPTIONAL)
53.	FLAT BODY(OPTIONAL)
54.	BACK BUZZER(OPTIONAL)
55.	LABEL
56.	TOOL
57.	CONTROL VALVE ASSY.
58.	BODY ASSY.(CONTROL VALVE)
59.	P.COVER COMP.(CONTROL VALVE)

CONTENTS

MODEL : C80R-2(B5760)

PC NO : 0CK30-G34000

Fig.No. GROUP NAME

60. T.COVER COMP.(CONTROL VALVE)
61. REMOCON VALVE ASSY.
62. AUTO-TENSION VALVE ASSY.
63. RELIEF VALVE ASSY.
64. SIVEL SELECTOR VALVE ASSY.
65. DUMP CYLINDER ASSY.
66. SHOE TENSION CYL.ASSY.(R)&(L)
67. DRIVING MOTOR(INNER PARTS)
68. REDUCTION GEAR ASSY.
69. HYDRAULIC PUMP(1)
70. HYD.PUMP(2):PISTON PUMP(FRONT)ASSY.
71. HYD.P(2):ROTARY G.& ROTARY CYL COMP.
72. HYD.PUMP(2):COVER COMP.(FRONT)
73. HYD.P(2):PUMP CONNECT.& HD.CON
74. HYD.PUMP(2):PISTON PUMP(REAR)ASSY.
75. HYD.P(3):ROTARY G.& ROTARY CYL COMP.
76. HYD.PUMP(3):COVER COMP.(REAR)
77. HYD.P(3):PUMP CONNECT.& HDC,DA
78. HYD.PUMP(4):GEAR P.,TIMER V.&B
79. SAFETY LABEL

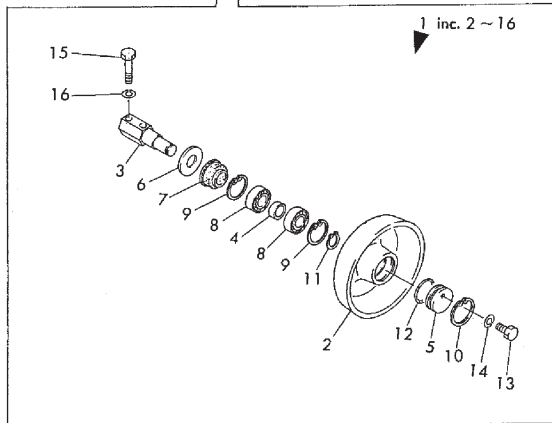
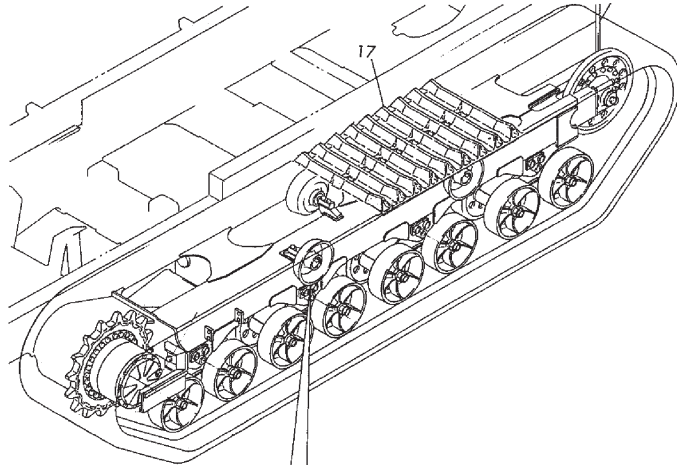
Fig.No. GROUP NAME

Fig.2. CARRIER ROLLER

OCK30-G34000 2. CARRIER ROLLER

(A)=C80R-2
(B)=
(C)=

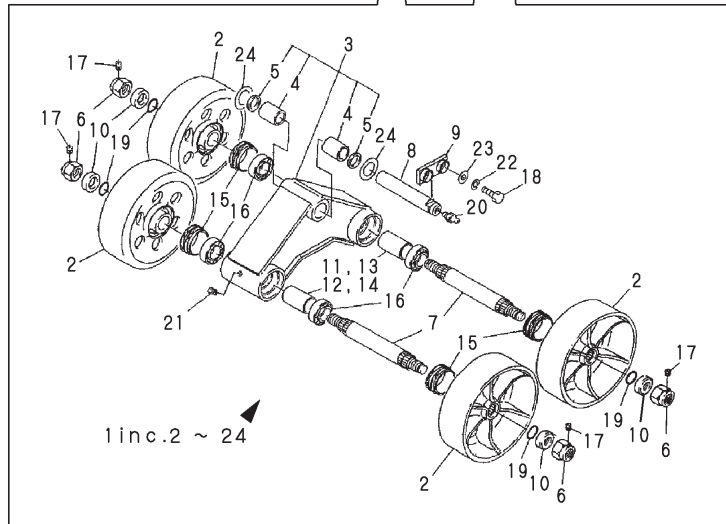
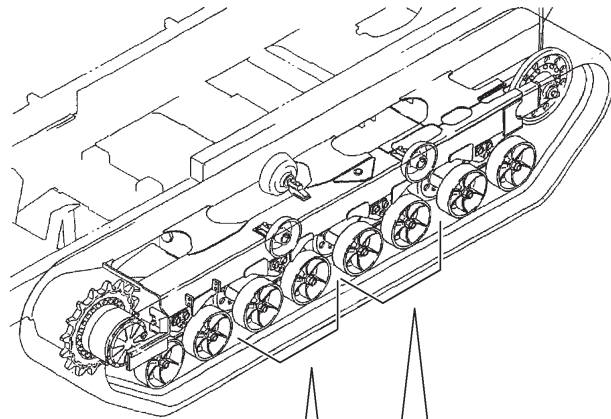
(D)=
(E)=
(F)=



REF.	LEV.	PARTS NO.	DESCRIPTION	Q'TY						I	R
				(A)	(B)	(C)	(D)	(E)	(F)		
1	1	E0870121800	CARRIER ROLLER ASSY.	6							
2	2	E0872123600	CARRIER ROLLER SHELL	6							
3	2	E0870121900	SHAFT	6							
4	2	E0872123800	COLLAR	6							
5	2	E0872123900	PLATE	6							
6	2	E0860124500	COVER,SEAL	6							
7	2	E1431203562	SEAL	6							
8	2	E1300006206	BEARING	12							
9	2	E1221000062	SNAP RING	12							
10	2	E1221000065	CIRCLIP 65	6							
11	2	E1220000030	SNAP RING	6							
12	2	E1420100600	O-RING	6							
13	2	E1100041014	BOLT M10X 14	6							
14	2	E1541400510	WASHER,COPPER	6							
15	2	E1101041670	BOLT M16X 70	12							
16	2	E1140020016	SPRING WASHER M16	12							
17	1	172651-38600	CRAWLER, RUBBER	2							

Fig.3. TRUCK ROLLER(B)

P/C NEWS No:Y00K3400-2
PUBLISHED:2005/8



OCK30-G34000 3. TRUCK ROLLER(B)

(A)=C80R-2

(B)=

(C)=

(D)=

(E)=

(F)=

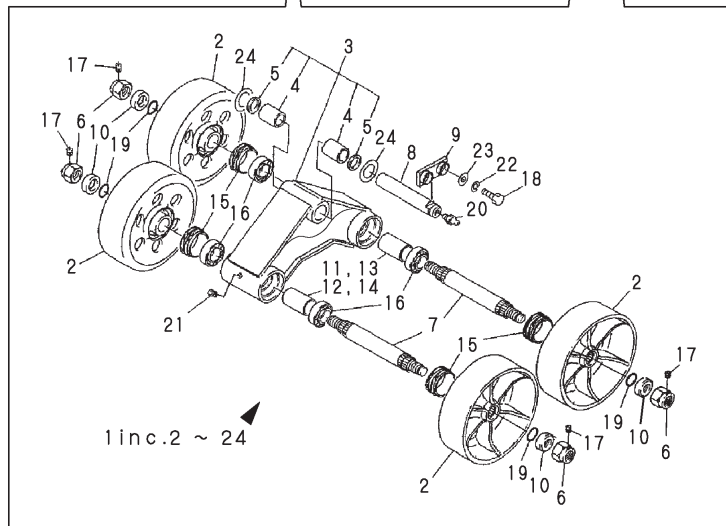
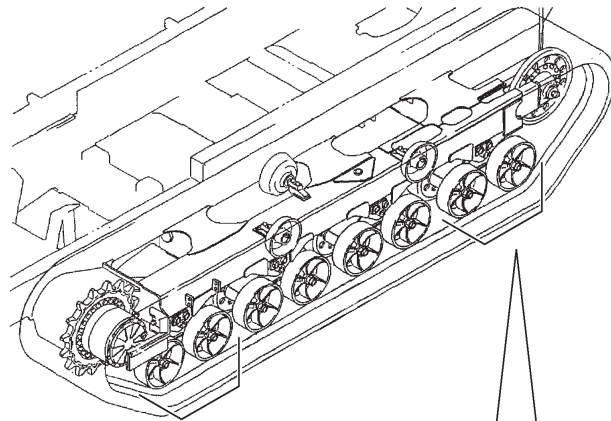
REF.	LEV.	PARTS NO.	DESCRIPTION	Q'TY						I	R	
				(A)	(B)	(C)	(D)	(E)	(F)			
1	1	E0870138000	ROLLER(B)ASSY,TRUCK	4								
2	2	E0870138100	TRUCK ROLLER SHELL	16								
3	2	E0870138200	BRACKET B	4								
4	3	E0002400047	BUSH	8								
5	3	E1432200040	SEAL, DUST	8								
6	2	E0870138330	NUT	16								
7	2	E0870138450	SHAFT,TRUCK ROLLER	8								
8	2	E0870138340	CENTER PIN	4								
9	2	E0870138460	LOCKER	4								
10	2	E0870138570	PLATE	16								
11	2	E0870137580	SPACER(W.88.133W/O.G	8								1
12	2	E0870137590	SPACER(W.88.318GROV1	8								1
13	2	E0870137600	SPACER(W.88.503 2	8								1
14	2	E0870137610	SPACER(W.88.688 3	8								1
15	2	E1432500660	SEAL SET, FLOATING	16								
16	2	E1305000003	ROLLER BEARING	16								
17	2	E1121240810	SOCKET SCREW	16								
18	2	E1101041235	BOLT M12X 35	8								
19	2	E1420360324	O-RING	16								
20	2	E1560001000	NIPPLE,GREASE PT1/8	4								
21	2	E1501810001	PLUG PT1/8	16								
I	21-1	2	E1501820002	PLUG 1/4	16							S
			(A=M/#20584C)									
	22	2	E1140020012	SPRING WASHER 12	8							
	23	2	E1141550012	WASHER	8							
	24	2	E0003600036	SHIM	8							

Remarks
(1)SELECTIVE USE

N:Old $\begin{matrix} \leftarrow \text{Yes} \\ \text{No} \end{matrix}$ New, Q:Old $\begin{matrix} \leftarrow \text{No} \\ \text{Yes} \end{matrix}$ New, R:Old $\begin{matrix} \leftarrow \text{Yes} \\ \text{Yes} \end{matrix}$ New, S:Old $\begin{matrix} \leftarrow \text{No} \\ \text{No} \end{matrix}$ New, W:Add, Z:Discontinued, F:Interchangeable by set, K:Q'ty Change

Fig.4. TRUCK ROLLER(A)

P/C NEWS No:Y00K3400-2
PUBLISHED:2005/8



OCK30-G34000 4. TRUCK ROLLER(A)

(A)=C80R-2

(B)=

(C)=

(D)=

(E)=

(F)=

REF.	LEV.	PARTS NO.	DESCRIPTION	Q'TY						I	R
				(A)	(B)	(C)	(D)	(E)	(F)		
1	1	E0870138500	ROLLER(A)ASSY,TRUCK	4							
2	2	E0870138100	TRUCK ROLLER SHELL	16							
3	2	E0870138600	BRACKET A	4							
4	3	E0002400051	BUSH	8							
5	3	E1432200050	PIN SEAL	8							
6	2	E0870138330	NUT	16							
7	2	E0870138450	SHAFT,TRUCK ROLLER	8							
8	2	E0870138510	CENTER PIN	4							
9	2	E0870138530	STOPPER	4							
10	2	E0870138570	PLATE	16							
11	2	E0870137580	SPACER(W.88.133W/O.G	8							1
12	2	E0870137590	SPACER(W.88.318GROV1	8							1
13	2	E0870137600	SPACER(W.88.503 2	8							1
14	2	E0870137610	SPACER(W.88.688 3	8							1
15	2	E1432500660	SEAL SET, FLOATING	16							
16	2	E1305000003	ROLLER BEARING	16							
17	2	E1121240810	SOCKET SCREW	16							
18	2	E1101041435	BOLT M14X 35	8							
19	2	E1420360324	O-RING	16							
20	2	E1560001000	NIPPLE,GREASE PT1/8	4							
21	2	E1501810001	PLUG PT1/8	16							
I	21-1	2	E1501820002	PLUG 1/4	16						S
			(A=M/#20584C)								
		22	2	E1140020014	SPRING WASHER 14	8					
		23	2	E1141550014	WASHER M14	8					
		24	2	E0003600061	SHIM	8					

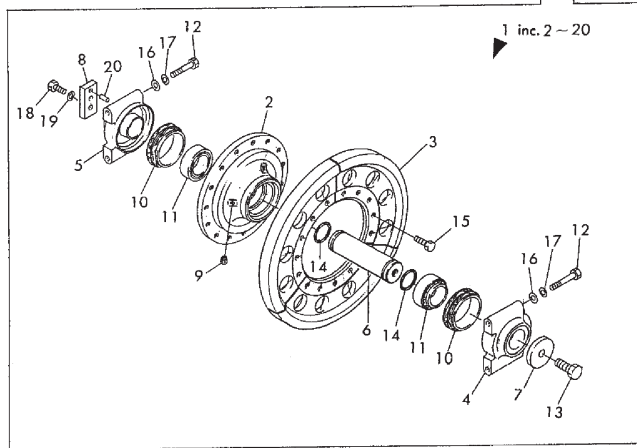
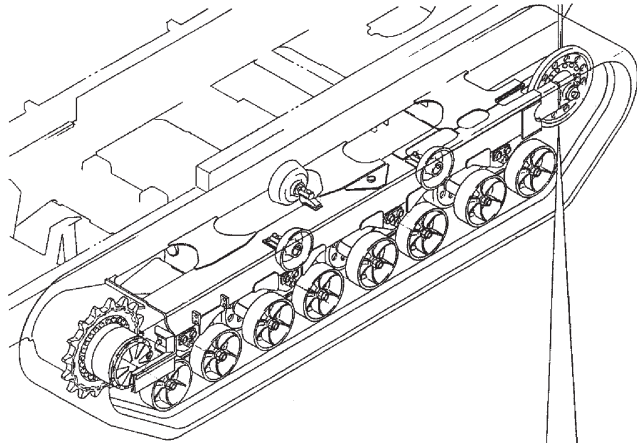
Remarks
(1)SELECTIVE USE

N:Old $\begin{matrix} \leftarrow \text{Yes} \\ \text{No} \end{matrix}$ New, Q:Old $\begin{matrix} \leftarrow \text{No} \\ \text{Yes} \end{matrix}$ New, R:Old $\begin{matrix} \leftarrow \text{Yes} \\ \text{Yes} \end{matrix}$ New, S:Old $\begin{matrix} \leftarrow \text{No} \\ \text{No} \end{matrix}$ New, W:Add, Z:Discontinued, F:Interchangeable by set, K:Q'ty Change

Fig.5. IDLER

(A)=C80R-2
(B)=
(C)=

(D)=
(E)=
(F)=



REF.	LEV.	PARTS NO.	DESCRIPTION	Q'TY						I	R
				(A)	(B)	(C)	(D)	(E)	(F)		
1	1	E0870143000	IDLER ASSY	2							
2	2	E0870143010	IDLER	2							
3	2	E0870143200	IDLER RING	6							1
4	2	E0870143030	SEAL COVER	2							
5	2	E0870143040	SEAL COVER	2							
6	2	E0870143050	SHAFT	2							
7	2	E0872143560	PLATE	2							
8	2	E0870143070	PLATE	2							
9	2	E1501810001	PLUG PT1/8	4							
10	2	E1432500920	FLOATING SEAL	4							
11	2	E1305000001	BEARING,ROLLER	4							
12	2	E1100141650	BOLT M16X150	8							
13	2	E1106242040	BOLT M20 P1.5X 40	2							
14	2	E1420100500	O RING	4							
15	2	E1106041635	BOLT M16,P2.0X 35	30							
16	2	E1141550016	WASHER M16	8							
17	2	E1140020016	SPRING WASHER M16	8							
18	2	E1101041240	BOLT M12X 40 P1.5	4							
19	2	E1140020012	SPRING WASHER 12	4							
20	2	E1212001025	KNOCK-PIN 10X 25	2							

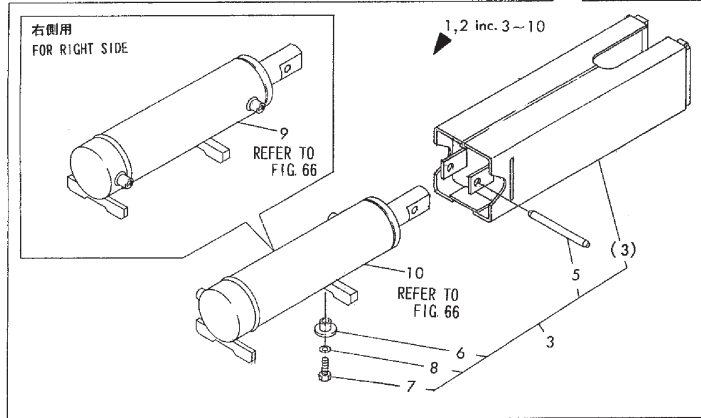
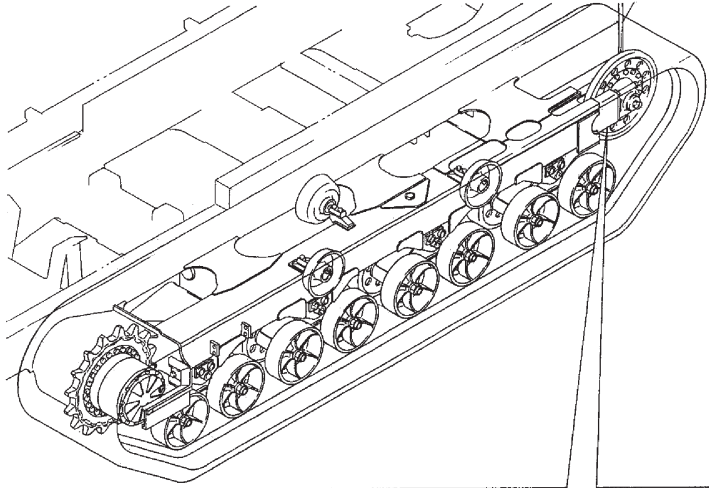
Remarks
(2)2SETS(3PCS.AT ONE SIDE)ARE USED.

Fig.6. SHOCK ABSORBER

OCK30-G34000 6. SHOCK ABSORBER

(A)=C80R-2
(B)=
(C)=

(D)=
(E)=
(F)=



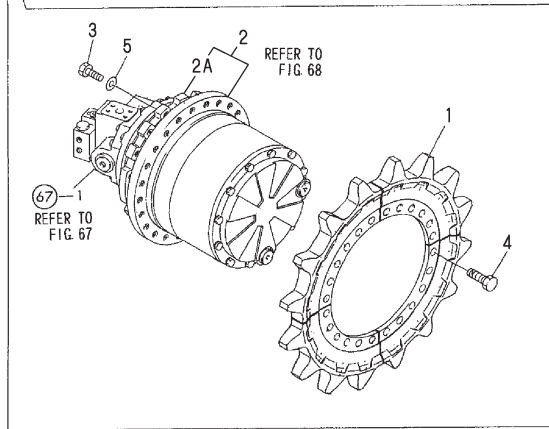
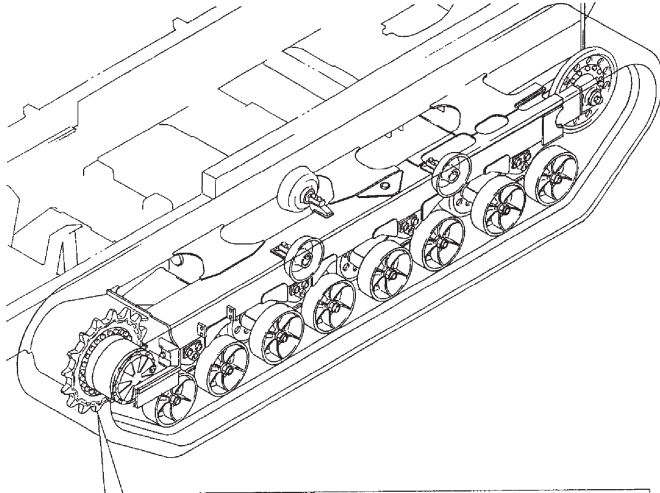
REF.	LEV.	PARTS NO.	DESCRIPTION	Q'TY						I	R
				(A)	(B)	(C)	(D)	(E)	(F)		
1	1	E0870152700	SHOCK ABSORBER ASY(R)	1							
2	1	E0870152800	SHOCK ABSORBER ASY(L)	1							
3	2	E0870152900	FORK ASSY,SLIDE	2							
5	3	E0870151140	PIN	2							
6	3	E0872153630	BOSS	2							
7	3	E1100041440	BOLT M14X40	2							
8	3	E1140020014	SPRING WASHER 14	2							
9	2	E1900072800	CYLINDER (R)	1							1
10	2	E1900072900	CYLINDER (L)	1							1

Remarks
(1)REFER TO FIG.66

Fig.7. DRIVING REDUCTION GEAR

(A)=C80R-2
(B)=
(C)=

(D)=
(E)=
(F)=



REF.	LEV.	PARTS NO.	DESCRIPTION	Q'TY						I	R
				(A)	(B)	(C)	(D)	(E)	(F)		
1	1	E0870162100	SPROCKET	8							2
2	1	172651-73460	REDUCTION GEAR ASSY.	2							1
I 2A	2	172651-73490	RETAINER, SEAL	1							W
(A)*2008.02)											
3	1	E1100041840	BOLT M18,P2.5X 40	32							
4	1	E1106041845	BOLT M18,P2.5X 45	48							
5	1	E1141550018	WASHER M18	32							

Remarks

- (1)REFER TO FIG.68
- (2)2 SETS(4PCS.AT ONE SIDE)ARE USED.

Fig.8. DRIVING LEVER

(A)=C80R-2

(B)=

(C)=

(D)=

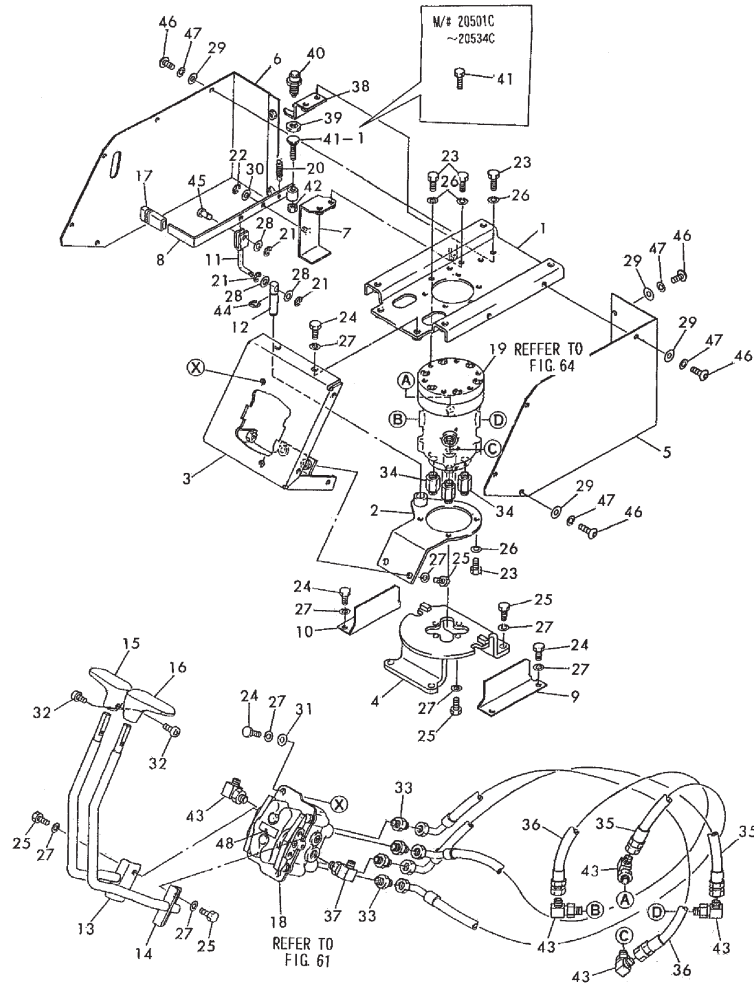
(E)=

(F)=

Q'TY

(A) (B) (C) (D) (E) (F)

REF. LEV. PARTS NO. DESCRIPTION I R



1	1	E0872512510	SEAT MOUNT	1						
2	1	E0872512520	PLATE	1						
3	1	E0872512530	VALVE MOUNT	1						
4	1	E0872512540	PLATE	1						
5	1	E0872512550	COVER	1						
6	1	E0872512560	COVER	1						
7	1	E0872512570	COVER	1						
8	1	E0872512630	PLATE	1						
9	1	E0872512590	COVER(L)	1						
10	1	E0872512600	COVER(R)	1						
11	1	E0872512080	LOCK LEVER	1						
12	1	E0872512120	LOCK PIN	1						
13	1	E0872512610	DRIVING LEVER(R)	1						
14	1	E0872512620	DRIVING LEVER(L)	1						
15	1	E1650204100	GRIP(R)	1						
16	1	E1650204200	GRIP(L)	1						
17	1	E1650100415	CAP	1						
I	17-1	1	E1650107415	GRIP	1					N
(A=*1997.02)										
18	1	E1901727600	REMOCON VALVE	1						1
19	1	E1901729200	SELECTOR VALVE	1						2
20	1	E0007000070	SPRING	1						
21	1	E1224010004	CLIP	3						
22	1	E1224010006	E-RING	1						
23	1	E1100040820	BOLT M 8X 20	14						
24	1	E1100041020	BOLT M10X 20	8						
25	1	E1100041025	BOLT M10X 25	14						
26	1	E1140020008	SPRING WASHER 8	14						
27	1	E1140020010	SPRING WASHER 10	22						
28	1	E1141110006	WASHER,PLAIN 6	3						
29	1	E1141110008	WASHER 8	13						
I	29-1	1	E1141190008	WASHER M 8	12					N
(A=M/#20535C)										
I	30	1	E0003608252	WASHER	1					W
(A=M/#20535C)										
31	1	E1141110010	WASHER 10	2						
32	1	E1120530416	SCREW(+) M 4X 16	2						
33	1	E1515600200	ADAPTER UNION	4						
34	1	E0007203034	HOSE,ADAPTER	4						
35	1	E1801052047	HOSE,MEDIUM PRESS.	2						
36	1	E1801052051	HOSE,MEDIUM PRESS.	2						
37	1	E1512375001	ELBOW (90)	1						
38	1	E0872512640	BRACKET	1						
39	1	E0335120960	NUT	1						
40	1	E1700000026	SAFETY SWITCH	1						
41	1	E1100040840	BOLT M 8X 40	1						
I	41-1	1	E0872512660	STOPPER	1					S
(A=M/#20535C)										
42	1	E1130040008	NUT M 8	1						
43	1	E1515010040	ELBOW (90)	5						
44	1	E1224010012	E-RING	1						

Remarks

(1)REFER TO FIG.61

(2)REFER TO FIG.64

Fig.8. DRIVING LEVER

(A)=C80R-2

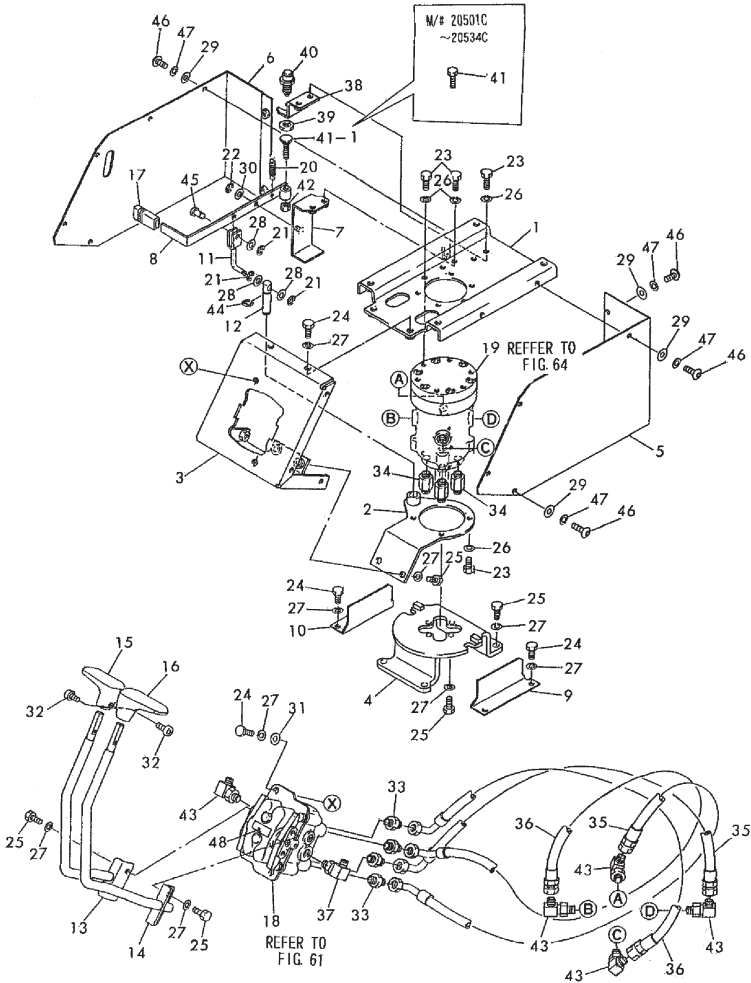
(B)=

(C)=

(D)=

(E)=

(F)=



REF.	LEV.	PARTS NO.	DESCRIPTION	Q'TY						I	R
				(A)	(B)	(C)	(D)	(E)	(F)		
45	1	E0004300004	PIN	1							
46	1	E1120990820	SCREW M 8X 20	12							
47	1	E1140090008	SPRING WASHER M 8	12							
48	1	E0872512650	SEAL	1							

Remarks
 (1)REFER TO FIG.61
 (2)REFER TO FIG.64

Fig.9. DUMP LEVER

(A)=C80R-2
(B)=
(C)=

(D)=
(E)=
(F)=

REF.	LEV.	PARTS NO.	DESCRIPTION	Q'TY						I	R
				(A)	(B)	(C)	(D)	(E)	(F)		
1	1	E0870323100	DUMP LEVER ASSY	1							
2	2	E0870323110	BRACKET	1							
3	2	E0870323120	DUMP LEVER	1							
4	3	E1333002015	BUSH	2							
5	2	E0870322701	PIN	1							
6	2	E0363214700	BELLOWS	1							
7	2	E1650203800	GRIP	1							
8	2	E1213000540	SPRING PIN	1							
9	2	E1100240630	BOLT	2							
10	2	E1130140006	NUT	2							
11	1	E1630771167	CONTROL CABLE	1							
12	1	E0005500007	YOKE	1							
13	1	E0005540001	JOINT	1							
14	1	E0004005117	PIN, LEVER	1							
15	1	E0004006017	PIN	1							
16	1	E1214000005	PIN 5	1							
17	1	E1214000006	SNAP PIN	1							
18	1	E1100240825	BOLT M 8X 25	4							
19	1	E1141110008	WASHER 8	4							
20	1	E1140020008	SPRING WASHER 8	4							
21	1	E1225000005	WASHER 5,WAVE	2							

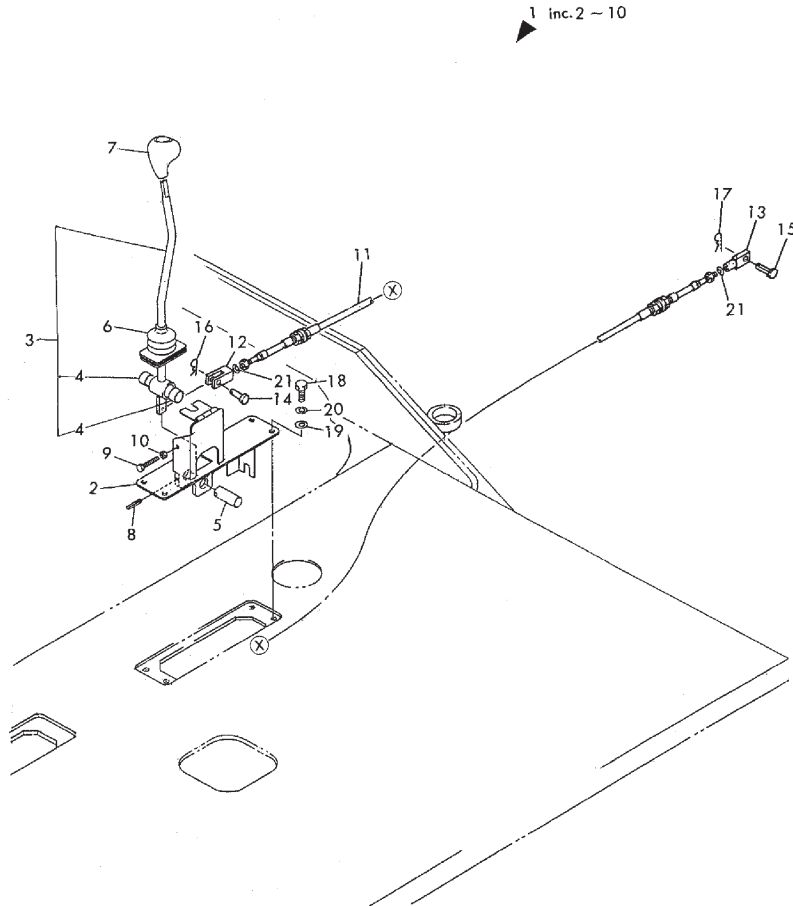
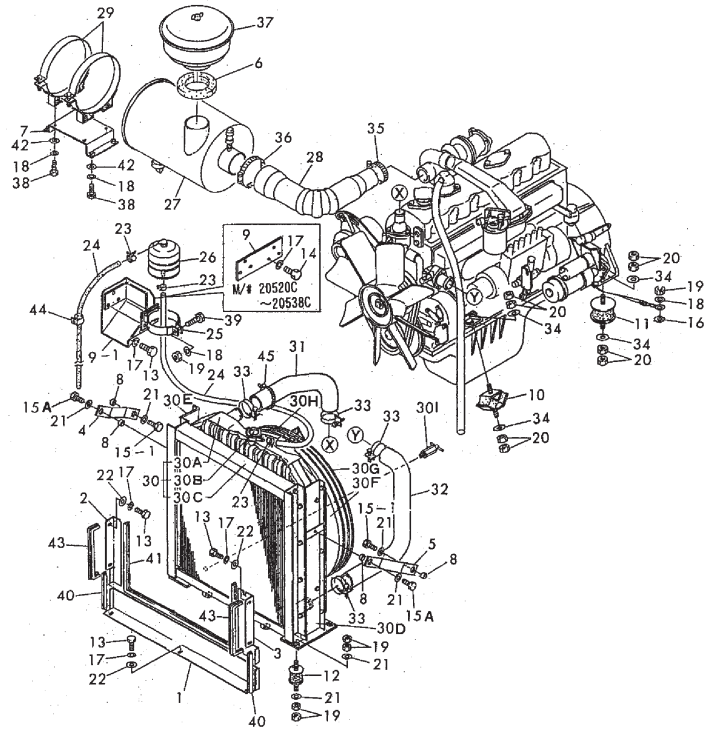


Fig.10. ENGINE RELATED DEVICE



(A)=C80R-2

(B)=

(C)=

(D)=

(E)=

(F)=

REF.	LEV.	PARTS NO.	DESCRIPTION	Q'TY						I	R
				(A)	(B)	(C)	(D)	(E)	(F)		
1	1	E0870402501	PARTITION PLATE	1							
2	1	E0870402502	PARTITION PLATE(R)	1							
3	1	E0870402503	PARTITION PLATE(L)	1							
4	1	E0870402504	BRACE (R)	1							
5	1	E0870402505	BRACE (L)	1							
6	1	E0870402506	URETHANE	1							
7	1	E0870402510	PLATE	1							
8	1	E0003012008	COLLAR	4							
I 9	1	E0870402580	BRACKET,SUB TANK	1							W
		(A=M/#20520C)									
I 9-1	1	E0870402560	BRACKET,SUB TANK	1							S
		(A=M/#20539C)									
10	1	E1651040580	ABSORBER,SHOCK	2							
11	1	E0870402570	SHOCK ABSORB.RUBBER	2							
12	1	E1651014008	ABSORBER,SHOCK	4							
13	1	E1100240820	BOLT	7							
I 13-1	1	E1100240820	BOLT	10							K
		(A=M/#20520C)									
I 14	1	E1100240814	BOLT M 8X 14	2							Z
		(A=M/#20520C)									
15	1	E1100241020	BOLT M10X 20	4							
I 15-1	1	E1100241020	BOLT M10X 20	2							K
		(A=FROM 1ST)									
I 15A	1	E1101041020	BOLT M10X 20 P1.25	2							W
		(A=FROM 1ST)									
16	1	E1140330010	TOOTHED WASHER 10	1							
17	1	E1140020008	SPRING WASHER 8	9							
I 17-1	1	E1140020008	SPRING WASHER 8	15							K
		(A=M/#20520C)									
18	1	E1140020010	SPRING WASHER 10	11							
19	1	E1130040010	NUT M10	19							
20	1	E1130040012	NUT M12	16							
21	1	E0003600025	WASHER	12							
22	1	E1141550008	WASHER	7							
23	1	E1533120014	BAND	3							
24	1	E1531212080	HOSE,FUEL OIL	2							
25	1	148616-44550	BRACKET, RESERVOIR	1							
26	1	E1910029032	SUB TANK	1							
27	1	X177205450	CLEANER ASSY,AIR	1							1
28	1	X178813291	HOSE,AIR CLEANER	1							1
29	1	E1911204076	BAND	2							
30	1	X164404470	RADIATOR	1							1
I 30-1	1	X164404471A	RADIATOR/OIL COOLER	1							S 3
		(A=M/#20525)									
30A	2	X160905500A	RADIATOR ASSY.	1							2
30B	2	X164011450A	CAP,RADIATOR	1							2
30C	2	X157102290A	OIL COOLER ASSY.	1							2
30D	2	X1027105490	LEFT FRAME ASSY.	1							2
30E	2	X1027105500	RIGHT FRAME ASSY.	1							2
30F	2	X1028007931	FAN SHROUD ASSY.	1							2
I 30F-1	2	X1028007932	FAN SHROUD ASSY.	1							S 3

Remarks

(1)PART NO.OF HINO.MOTORS,LTD.
 (2)PART NO.OF SANKYO RADIATOR CO.LTD.
 (3)PART NO.OF SANKYO RADIATOR CO.LTD.
 INTERCHANGEABLE IN SET WITH GUARD
 AND SHROUD.

N:Old $\frac{Yes}{No}$ New, Q:Old $\frac{No}{Yes}$ New, R:Old $\frac{Yes}{Yes}$ New, S:Old $\frac{No}{No}$ New, W:Add, Z:Discontinued, F:Interchangeable by set, K:Q'ty Change

++ CONTINUE ++

(C)Copy Rights YANMAR CO.,LTD.

Fig.10. ENGINE RELATED DEVICE

(A)=C80R-2

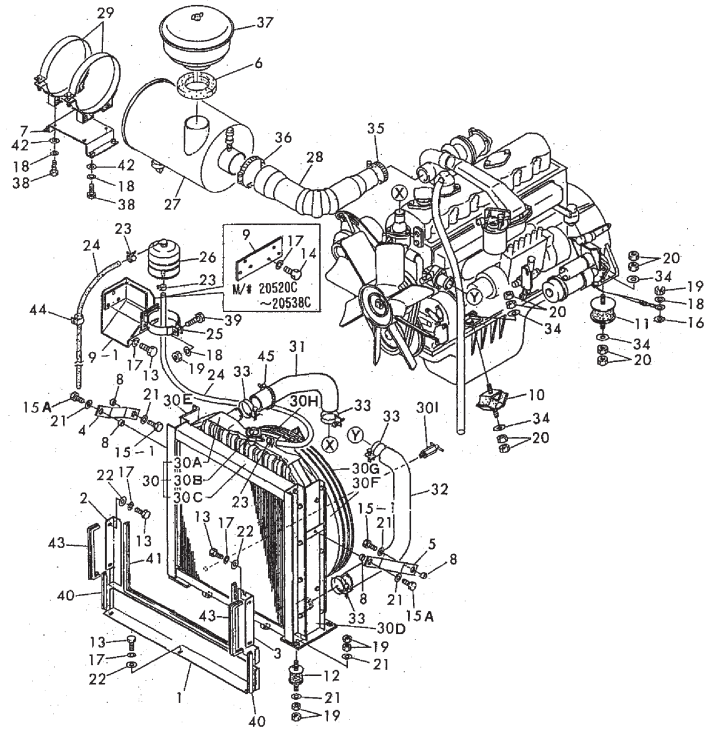
(B)=

(C)=

(D)=

(E)=

(F)=



REF.	LEV.	PARTS NO.	DESCRIPTION	Q'TY						I	R	
				(A)	(B)	(C)	(D)	(E)	(F)			
		(A=M/#20525)										
		30G 2 X1028304201	GUARD UNIT	1								2
		30H 2 X1028304211	GUARD UNIT	1								2
I		30H-1 2 X1028304212	GUARD UNIT	1								S 3
		(A=M/#20525)										
		30I 2 X160511070A	DRAIN COCK	1								2
		31 1 X900155205A	HOSE	1								2
		32 1 X900155206A	HOSE	1								2
		33 1 X976960102A	CLAMP	4								2
		34 1 E1141550012	WASHER	8								
		35 1 X976994102	BAND	1								1
I		35-1 1 E1533700090	BAND(TURBO.SIDE)	1								N
		(A=M/#20517C)										
		36 1 X976901113	BAND	1								1
I		36-1 1 E1533700127	BAND	1								N
		(A=M/#20517C)										
		37 1 E1911238318	PRE-CLEANER	1								
		38 1 E1100241025	BOLT M10X 25	4								
		39 1 E1100241030	BOLT M10X 30	2								
		40 1 E1654605018	SASH RUBBER	2								
		41 1 E1654605135	SASH RUBBER	1								
		42 1 E1141110010	WASHER 10	8								
		43 1 E1654605034	SASH RUBBER	2								
		44 1 E0007300001	CLAMP	1								
		45 1 E1652241400	TIE	1								

Remarks

(1)PART NO.OF HINO.MOTORS,LTD.
 (2)PART NO.OF SANKYO RADIATOR CO.LTD.
 (3)PART NO.OF SANKYO RADIATOR CO.LTD.
 INTERCHANGEABLE IN SET WITH GUARD
 AND SHROUD.

Fig.11. MUFFLER

(A)=C80R-2

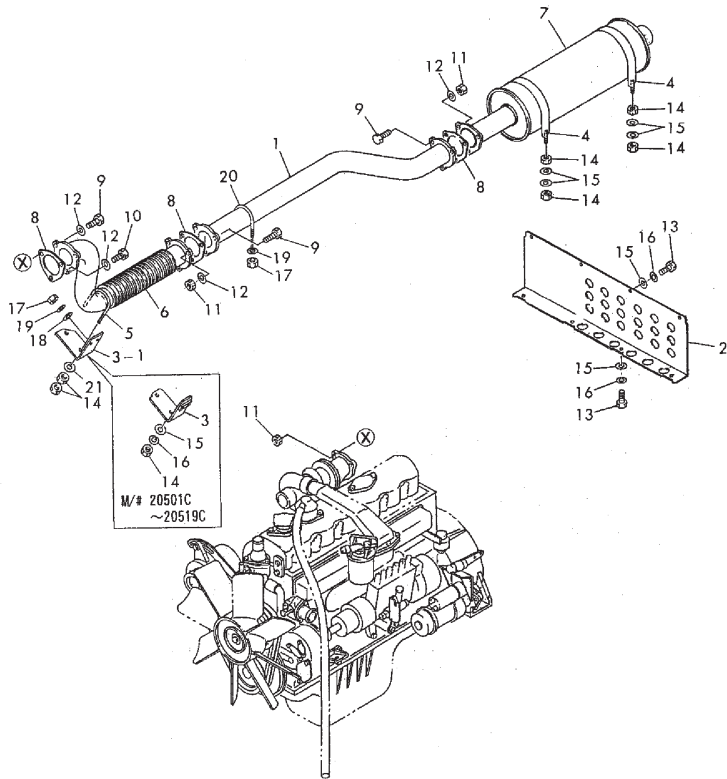
(B)=

(C)=

(D)=

(E)=

(F)=



REF.	LEV.	PARTS NO.	DESCRIPTION	Q'TY						I	R
				(A)	(B)	(C)	(D)	(E)	(F)		
1	1	E0870402100	EXH.CONNECT PIPE	1							
2	1	E0870402820	COVER,EXHAUST	1							
3	1	E0870402300	BRACKET	1							
I	3-1	1 E0870402850 (A=M/#20520C)	BRACKET	1							S
4	1	E0870402840	BAND	2							
5	1	E0870402005	U-BOLT	1							
I	5-1	1 E0870402860 (A=M/#20520C)	U-BOLT	1							S
6	1	X176014960	PIPE SUB.ASSY,EXH.	1							1
7	1	X175014680	MUFFLER	1							1
I	7-1	1 X175014791 (A=*1997.04-)	MUFFLER SUB,ASSY	1							S 1
8	1	X174511160	GASKET	3							1
9	1	E1100041245	BOLT M12X 45	8							
10	1	E1100041225	BOLT M12X25	1							
11	1	E1130040012	NUT M12	8							
12	1	E1140020012	SPRING WASHER 12	9							
13	1	E1100041025	BOLT M10X 25	8							
14	1	E1130040010	NUT M10	6							
I	14-1	1 E1130040010 (A=M/#20520C)	NUT M10	8							K
15	1	E1141110010	WASHER 10	14							
I	15-1	1 E1141110010 (A=M/#20520C)	WASHER 10	12							K
16	1	E1140020010	SPRING WASHER 10	10							
I	16-1	1 E1140020010 (A=M/#20520C)	SPRING WASHER 10	8							K
17	1	E1130040008	NUT M 8	4							
18	1	E1141110008	WASHER 8	2							
19	1	E1140020008	SPRING WASHER 8	4							
I	20	1 E1533201024 (A=M/#20520C)	U-BOLT	1							W
I	21	1 E1141550010 (A=M/#20520C)	WASHER M10	2							W

Remarks
(1)PART NO.OF HINO.MOTORS,LTD.

Fig.12. CONTROL BOX (M/#20501C-20544C)

(A)=C80R-2

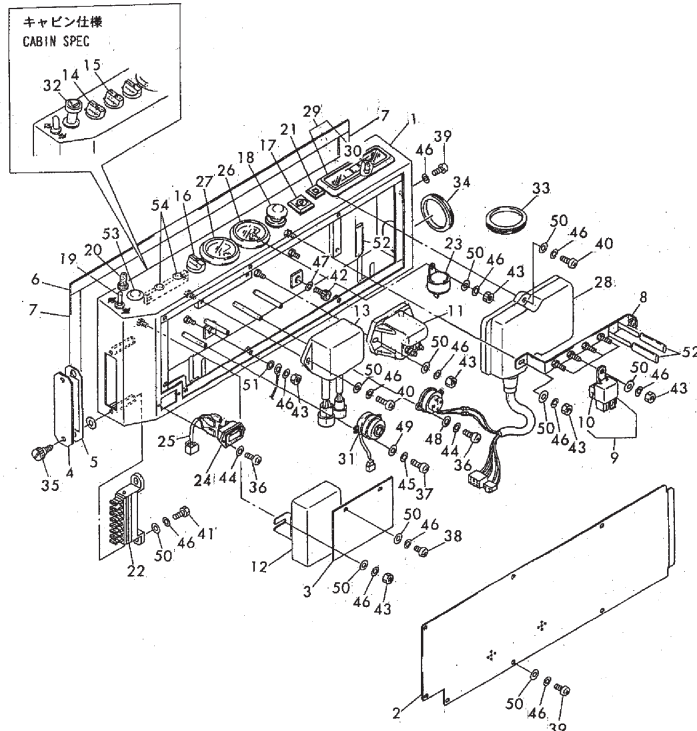
(B)=

(C)=

(D)=

(E)=

(F)=



REF.	LEV.	PARTS NO.	DESCRIPTION	Q'TY						I	R
				(A)	(B)	(C)	(D)	(E)	(F)		
1	1	E0870432100	CONTROL BOX	1							
2	1	E0870432200	COVER	1							
3	1	E0870432300	RUBBER PLATE	1							
4	1	E0870431400	FUSE COVER	1							
5	1	E0870431500	INSULATOR 1	1							
6	1	E0870432600	INSULATOR 2	1							
7	1	E0872433700	INSULATOR 3	2							
8	1	E0872433800	BRACKET	1							
9	1	E0872433900	RELAY ASSY.	4							
10	2	E1654305002	SPONGY	4							
11	1	X284101281	SAFETY RELAY	1							3
12	1	X286301280	GLOW CONTROL TIMER	1							3
13	1	X284201150	EMERGENCY RELAY	1							3
I 13-1	1	X284201151	RELAY, EMERGENCY	1							N 3
(A=E/#10897-)											
14	1	E1700000031	HEATER SWITCH	1							1
15	1	E1700000030	WIPER SWITCH	1							1
16	1	E1700000032	ROTARY SWITCH	1							
17	1	E1700000029	ELEVATOR SWITCH	1							
18	1	E1700001211	SWITCH, HORN	1							
19	1	E1700100029	SWITCH, TURN SIGNAL	1							
20	1	E1700100030	CAP, RUBBER	1							
21	1	E1700550019	PILOT LAMP(DC24V)	1							
22	1	E1701203400	FUSE BOX	1							
23	1	E1711900032	FLASHER RELAY	1							
24	1	E1730000500	HOUR METER	1							
25	1	E0872433350	WIRE HARNESS	1							
26	1	E1730100040	THERMO-METER	1							
27	1	E1730110050	FUEL GAUGE	1							
28	1	E1730140270	CHECK CIRCUIT	1							
29	1	E1730140580	PILOT BOX	1							
30	2	E1730140581	BULB(24V,1.5W)	6							
31	1	E1730140490	BUZZER	1							
32	1	E1711900039	CIGAR LIGHTER(DC24V)	1							1
33	1	E1652030001	GROMMET	1							
34	1	E1652060063	BUSHING 60	1							
35	1	E1652711698	SCREW, WITH KNOB	2							
36	1	E1120530310	SCREW(+) M 3X 10	4							
37	1	E1120530412	SCREW(+)M 4X12	2							
38	1	E1120530608	SCREW (+) M 6X 8	2							
39	1	E1120530612	SCREW(+)M 6X16	8							
40	1	E1120530616	SCREW	4							
41	1	E1100040616	BOLT M 6X 16	2							
42	1	E1110040816	BOLT M 8X 16	6							
43	1	E1130030006	NUT M 6	11							
44	1	E1140020003	WASHER, SPRING M 3	4							
45	1	E1140020004	WASHER, SPRING M 4	2							
46	1	E1140020006	SPRING WASHER 6	26							
47	1	E1140020008	SPRING WASHER 8	6							
48	1	E1141110003	WASHER, PLAIN 3	2							
49	1	E1141110004	WASHER, PLAIN 4	2							

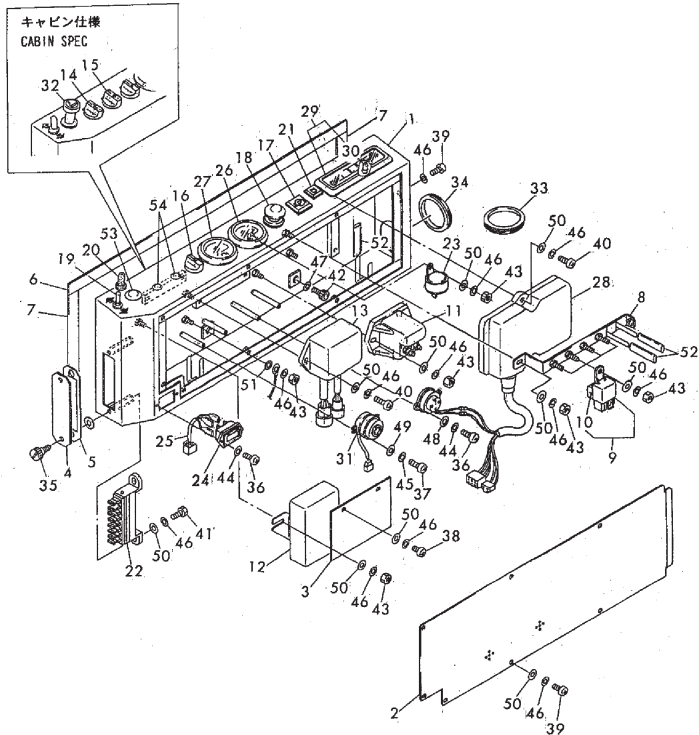
Remarks
 (1)FOR CABIN
 (2)FOR CANOPY
 (3)PART NO.OF HINO.MOTORS,LTD.

Fig.12. CONTROL BOX (M/#20501C-20544C)

(A)=C80R-2
(B)=
(C)=

(D)=
(E)=
(F)=

REF.	LEV.	PARTS NO.	DESCRIPTION	Q'TY						I	R
				(A)	(B)	(C)	(D)	(E)	(F)		
50	1	E1141110006	WASHER,PLAIN 6	24							
51	1	E1140330006	WASHER(TOOTHED)	1							
52	1	E0872433150	CLAMP TUBE	6							
53	1	E1652533003	CAP	1							2
54	1	E1652533019	CAP	2							2



Remarks
(1)FOR CABIN
(2)FOR CANOPY
(3)PART NO.OF HINO.MOTORS,LTD.

Fig.13. CONTROL BOX (M/#20545C-)

(A)=C80R-2

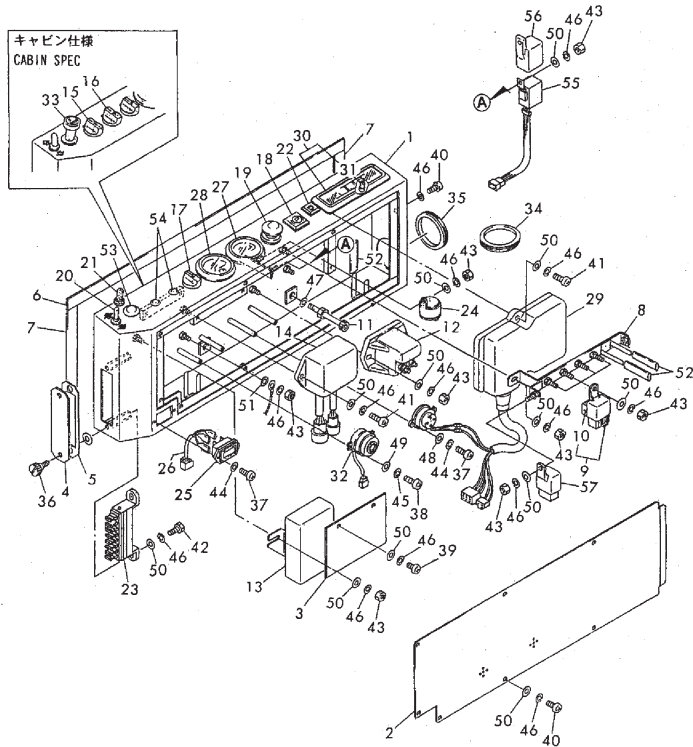
(B)=

(C)=

(D)=

(E)=

(F)=



REF.	LEV.	PARTS NO.	DESCRIPTION	Q'TY						I	R
				(A)	(B)	(C)	(D)	(E)	(F)		
1	1	E0870434100	CONTROL BOX	1							
2	1	E0870432200	COVER	1							
3	1	E0870432300	RUBBER PLATE	1							
4	1	E0870431400	FUSE COVER	1							
5	1	E0870431500	INSULATOR 1	1							
6	1	E0870432600	INSULATOR 2	1							
7	1	E0872433700	INSULATOR 3	2							
8	1	E0872435800	BRACKET	1							
9	1	E0872433900	RELAY ASSY.	4							
10	2	E1654305002	SPONGY	4							
11	1	E0872435300	BOLT	6							
12	1	X284101281	SAFETY RELAY	1							3
13	1	X286301280	GLOW CONTROL TIMER	1							3
14	1	X284201150	EMERGENCY RELAY	1							3
14-1	1	X284201151	RELAY, EMERGENCY	1							N 3
(A=E/#10897-)											
15	1	E1700000031	HEATER SWITCH	1							1
16	1	E1700000030	WIPER SWITCH	1							1
17	1	E1700000032	ROTARY SWITCH	1							
18	1	E1700000029	ELEVATOR SWITCH	1							
19	1	E1700001211	SWITCH, HORN	1							
20	1	E1700100029	SWITCH,TURN SIGNAL	1							
21	1	E1700100030	CAP,RUBBER	1							
22	1	E1700550019	PILOT LAMP(DC24V)	1							
23	1	E1701203600	FUSE BOX	1							
24	1	E1711900032	FLASHER RELAY	1							
25	1	E1730000500	HOUR METER	1							
26	1	E0872433350	WIRE HARNESS	1							
27	1	E1730100040	THERMO-METER	1							
28	1	E1730110050	FUEL GAUGE	1							
29	1	E1730140270	CHECK CIRCUIT	1							
30	1	E1730140580	PILOT BOX	1							
31	2	E1730140581	BULB(24V,1.5W)	6							
32	1	E1730140490	BUZZER	1							
33	1	E1711900039	CIGAR LIGHTER(DC24V)	1							1
34	1	E1652030001	GROMMET	1							
35	1	E1652060063	BUSHING 60	1							
36	1	E1652711698	SCREW,WITH KNOB	2							
37	1	E1120530310	SCREW(+) M 3X 10	4							
38	1	E1120530412	SCREW(+)M 4X12	2							
39	1	E1120530608	SCREW (+) M 6X 8	2							
40	1	E1120530612	SCREW(+)M 6X16	7							
41	1	E1120530616	SCREW	4							
42	1	E1100040616	BOLT M 6X 16	2							
43	1	E1130030006	NUT M 6	13							
44	1	E1140020003	WASHER,SPRING M 3	4							
45	1	E1140020004	WASHER,SPRING M 4	2							
46	1	E1140020006	SPRING WASHER 6	28							
47	1	E1140020008	SPRING WASHER 8	6							
48	1	E1141110003	WASHER,PLAIN 3	2							
49	1	E1141110004	WASHER,PLAIN 4	2							

Remarks

(1)FOR CABIN

(2)FOR CANOPY

(3)PART NO.OF HINO.MOTORS,LTD.

N:Old $\frac{Yes}{No}$ New, Q:Old $\frac{No}{Yes}$ New, R:Old $\frac{Yes}{Yes}$ New, S:Old $\frac{No}{No}$ New, W:Add, Z:Discontinued, F:Interchangeable by set, K:Q'ty Change

++ CONTINUE ++

(C)Copy Rights YANMAR CO.,LTD.

Fig.13. CONTROL BOX (M/#20545C-)

(A)=C80R-2

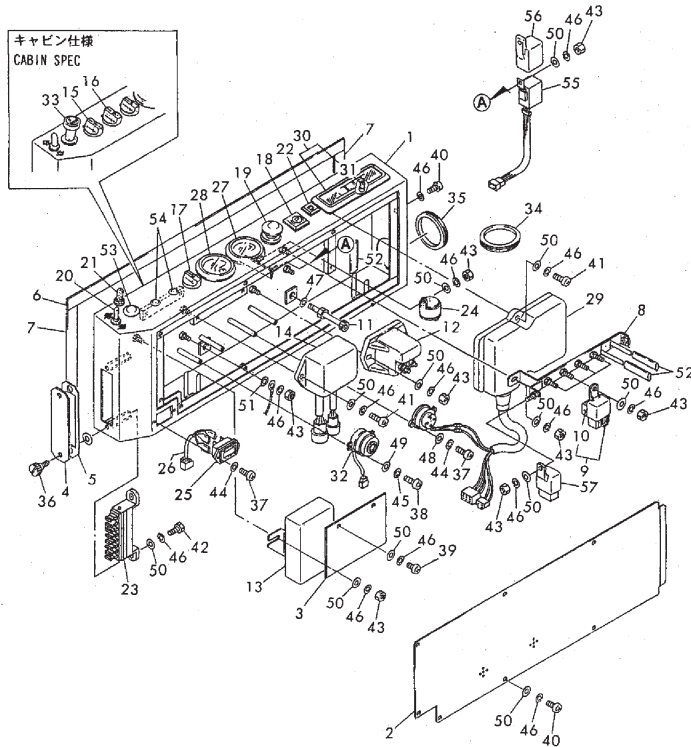
(B)=

(C)=

(D)=

(E)=

(F)=



REF.	LEV.	PARTS NO.	DESCRIPTION	Q'TY						I	R
				(A)	(B)	(C)	(D)	(E)	(F)		
50	1	E1141110006	WASHER,PLAIN 6	26							
51	1	E1140330006	WASHER(TOOTHED)	1							
52	1	E0872433150	CLAMP TUBE	6							
53	1	E1652533003	CAP	1							2
54	1	E1652533019	CAP	2							2
55	1	E1700100037	TIMER	1							
56	1	E1700100038	COVER,WATERPROOF	1							
57	1	E1711900049	RELAY	1							

Remarks

(1)FOR CABIN

(2)FOR CANOPY

(3)PART NO.OF HINO.MOTORS,LTD.

Fig.14. ENGINE CONTROL

(A)=C80R-2

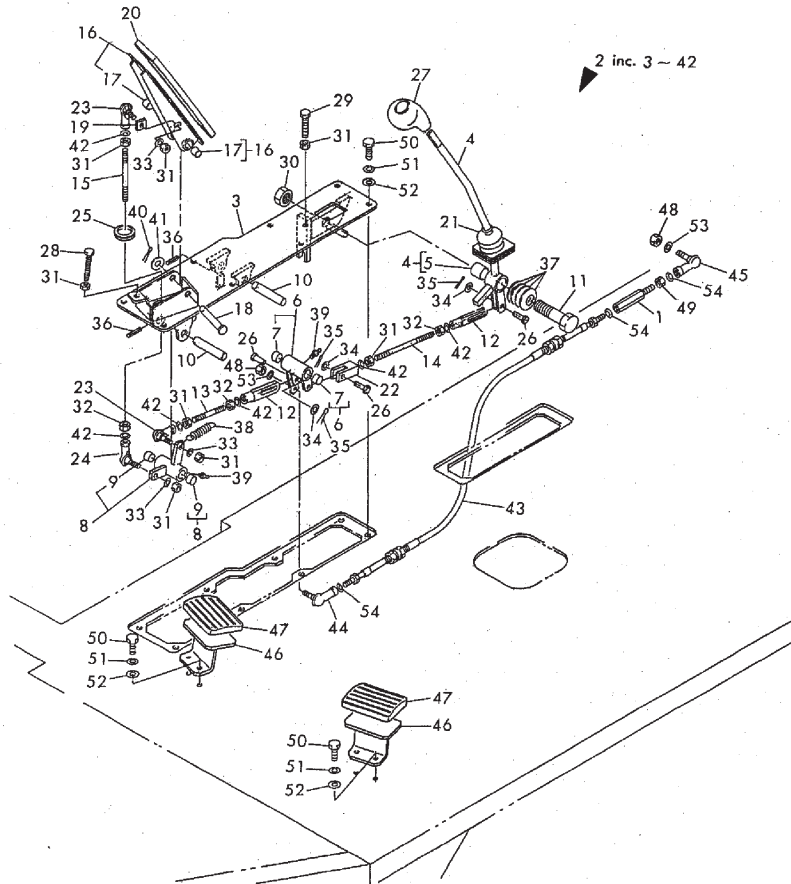
(B)=

(C)=

(D)=

(E)=

(F)=



REF.	LEV.	PARTS NO.	DESCRIPTION	Q'TY						I	R
				(A)	(B)	(C)	(D)	(E)	(F)		
1	1	E0870411201	CONNECTOR	1							
2	1	E0870411600	LEVER ASSY.	1							
3	2	E0870411690	BRACKET	1							
4	2	E0870411630	ACCEL LEVER	1							
5	3	E1333002025	BUSHING	1							
6	2	E0870411670	LEVER	1							
7	3	E1333001515	BUSH	2							
8	2	E0870411650	LEVER	1							
9	3	E1333001515	BUSH	2							
10	2	E0870411302	PIN	2							
11	2	E0870411303	BOLT	1							
12	2	E0870411602	YOKE	2							
13	2	E0870411305	ROD	1							
14	2	E0005008170	ROD	1							
15	2	E0005008090	ROD	1							
16	2	E0870411180	PEDAL	1							
17	3	E1333001215	BUSH	2							
18	2	E0872411180	PIN	1							
19	2	E0870411105	PLATE	1							
20	2	E0363214600	COVER	1							
21	2	E0363214700	BELLOWS	1							
22	2	E0005521008	YOKE	1							
23	2	E1340010080	LINK, BALL	2							
24	2	E1340010085	LINK, BALL	1							
25	2	E1652053400	GROMMET	1							
26	2	E0004008018	PIN	3							
27	2	E1650203900	GRIP	1							
28	2	E1100240857	BOLT M 8X 57	1							
29	2	E1100240840	BOLT M 8X 40	1							
30	2	E1132761020	NUT M20	1							
31	2	E1130040008	NUT M 8	8							
32	2	E1131540008	NUT, LEFT-HAND M 8	3							
33	2	E1140020008	SPRING WASHER 8	3							
34	2	E1141110008	WASHER 8	3							
35	2	E1214000006	SNAP PIN	3							
36	2	E1210010440	COTTER PIN	2							
37	2	E1225121020	SPRING,DISH	4							
38	2	E0007000093	SPRING	1							
39	2	E1560011006	NIPPLE, GREASE	2							
40	2	E1214000012	PIN, SNAP	1							
41	2	E1141110012	WASHER 12	1							
42	2	E1225000008	WASHER 8,WAVE	6							
43	1	E1630782090	CONTROL CABLE	1							
44	1	E1340010060	ROD END	1							
45	1	E1340010065	ROD END	1							
46	1	E0563219700	FOOT REST	2							
47	1	E0563218500	COVER	2							
48	1	E1130040006	NUT M 6	2							
49	1	E1131540006	NUT M 6(L)	1							
50	1	E1100240825	BOLT M 8X 25	12							
51	1	E1140020008	SPRING WASHER 8	12							

N:Old $\begin{matrix} \leftarrow \text{Yes} \\ \text{No} \end{matrix}$ New, Q:Old $\begin{matrix} \leftarrow \text{No} \\ \text{Yes} \end{matrix}$ New, R:Old $\begin{matrix} \leftarrow \text{Yes} \\ \text{No} \end{matrix}$ New, S:Old $\begin{matrix} \leftarrow \text{No} \\ \text{Yes} \end{matrix}$ New, W:Add, Z:Discontinued, F:Interchangeable by set, K:Q'ty Change

++ CONTINUE ++

(C)Copy Rights YANMAR CO.,LTD.

Fig.14. ENGINE CONTROL

(A)=C80R-2

(B)=

(C)=

(D)=

(E)=

(F)=

REF.	LEV.	PARTS NO.	DESCRIPTION	Q'TY						I	R
				(A)	(B)	(C)	(D)	(E)	(F)		
52	1	E1141110008	WASHER 8	12							
53	1	E1140020006	SPRING WASHER 6	2							
54	1	E1225000006	WASHER	3							

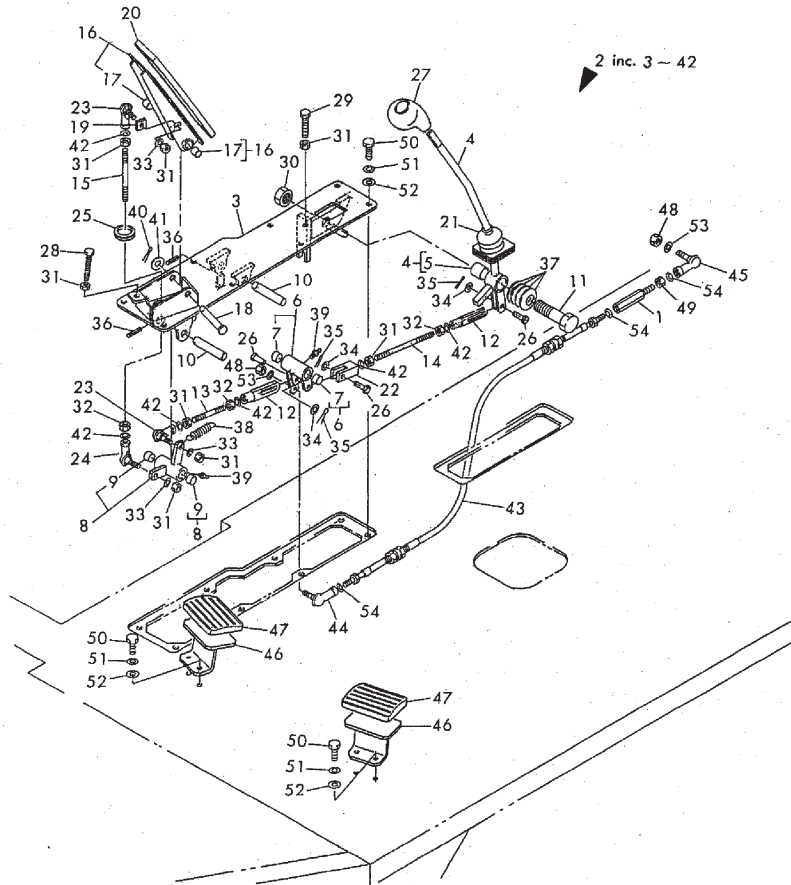
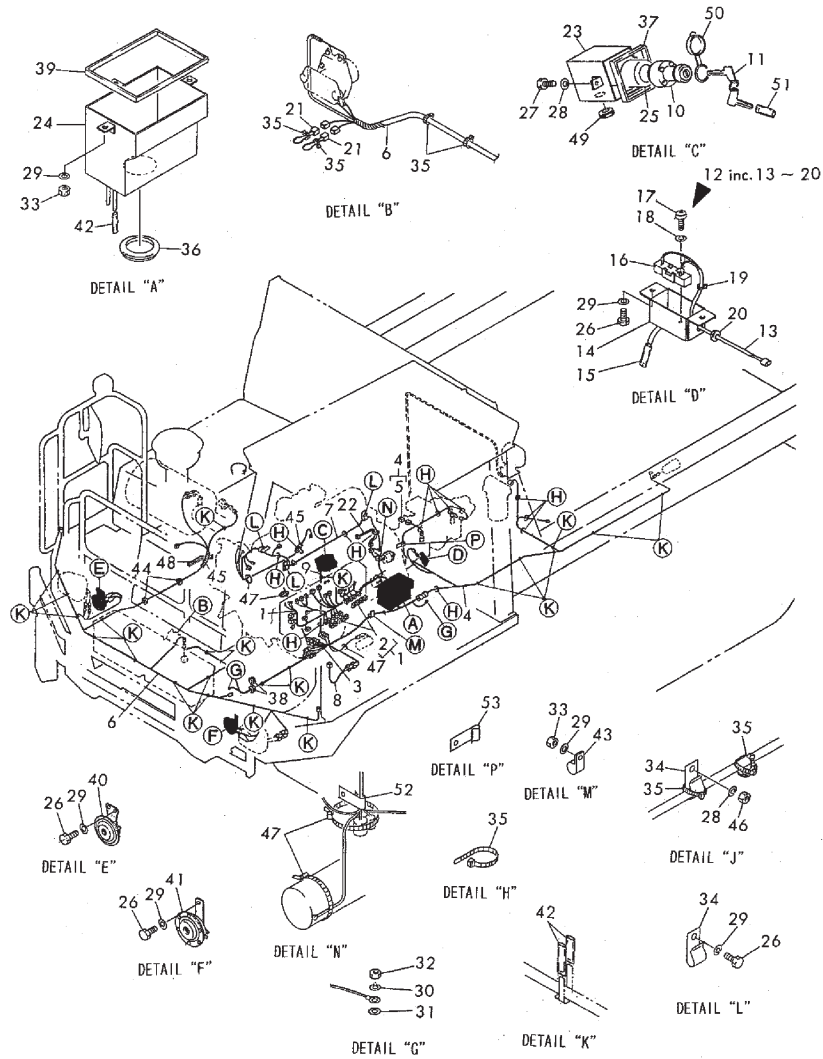


Fig.15. WIRING DIAGRAM (M/#20501C-20544C)

(A)=C80R-2
(B)=
(C)=

(D)=
(E)=
(F)=



REF.	LEV.	PARTS NO.	DESCRIPTION	Q'TY						I	R
				(A)	(B)	(C)	(D)	(E)	(F)		
1	1	E0870423150	WIRE HARNESS	1							
2	2	E1730500007	DIODE 3A	15							
3	1	E0870423250	WIRE HARNESS	1							
4	1	E0870423350	WIRE HARNESS	1							
5	2	E1730500007	DIODE 3A	1							
6	1	E0870423450	WIRE HARNESS	1							
7	1	E0870423500	WIRE HARNESS	1							
8	1	E0870422600	WIRE HARNESS	1							
9	1	E0870423600	WIRE HARNESS	1							
10	1	933110-00200	SWITCH ASSY,STARTER	1							
11	1	933110-00300	PACKING	1							
12	1	E0872423600	RESISTER ASSY.	1							
13	2	E0872423610	WIRE HARNESS	1							
14	2	E0872423650	BOX	1							
15	2	E0872433150	CLAMP TUBE	2							
16	2	E1730500012	CEMENT RESISTER	1							
17	2	E1120530306	SCREW(+) M 3X 6	1							
18	2	E1140020003	WASHER,SPRING M 3	1							
19	2	E1652200003	TIE-LAP	1							
20	2	E1652051200	GROMMET	1							
21	1	E0872421850	FUSIBLE RING	2							
22	1	E0870422900	FUSIBLE LINK	1							
23	1	E0870423710	SWITCH BOX	1							
24	1	E0870423800	HARNESS BOX	1							
25	1	E0870431820	COVER,KEY SW.TERMINA	1							
26	1	E1100040812	BOLT M 8X12	8							
27	1	E1100040610	BOLT M 6X10	2							
28	1	E1140020006	SPRING WASHER 6	3							
29	1	E1140020008	SPRING WASHER 8	12							
30	1	E1140020010	SPRING WASHER 10	2							
31	1	E1140330010	TOOTHED WASHER 10	2							
32	1	E1130040010	NUT M10	2							
33	1	E1130040008	NUT M 8	4							
34	1	E0007300004	CLAMP	3							
35	1	E1652231100	TIGH-LAP	19							
36	1	E1652060063	BUSHING 60	1							
37	1	E1654613032	PACKING,RUBBER	1							
38	1	E0337017300	GUARD,HOSE	2							
39	1	E1654613061	PACKING,RUBBER	1							
40	1	E1703500624	HORN	1							
41	1	E1703500724	HORN	1							
42	1	E0872433150	CLAMP TUBE	56							
43	1	E0007300013	CLAMP	1							
44	1	E1652052600	GROMMET	2							
45	1	E1532212110	SPIRAL TUBE	2							
46	1	E1130040006	NUT M 6	1							
47	1	E1652241300	TIE-LAP	5							
48	1	E1653917010	SEAL TRIM	1							
49	1	E1652052000	GROMMET	1							
50	1	E0870431810	CAP	1							
51	1	E1531010004	VINYL HOSE	1							

Fig.15. WIRING DIAGRAM (M/#20501C-20544C)

(A)=C80R-2
(B)=
(C)=

(D)=
(E)=
(F)=

REF.	LEV.	PARTS NO.	DESCRIPTION	Q'TY						I	R
				(A)	(B)	(C)	(D)	(E)	(F)		
52	1	E0007300010	CLAMP	1							
53	1	E0007300012	CLAMP	1							

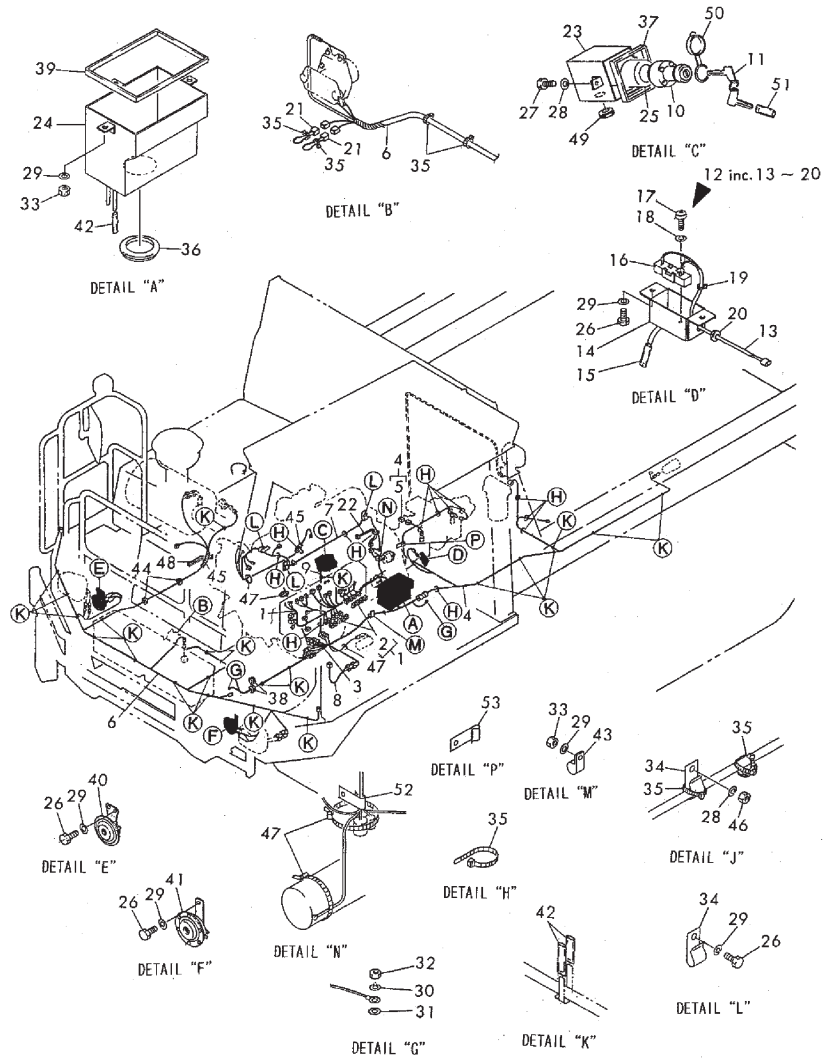


Fig.16. ERECTRICAL WIRING (M/#20545C-)

(A)=C80R-2

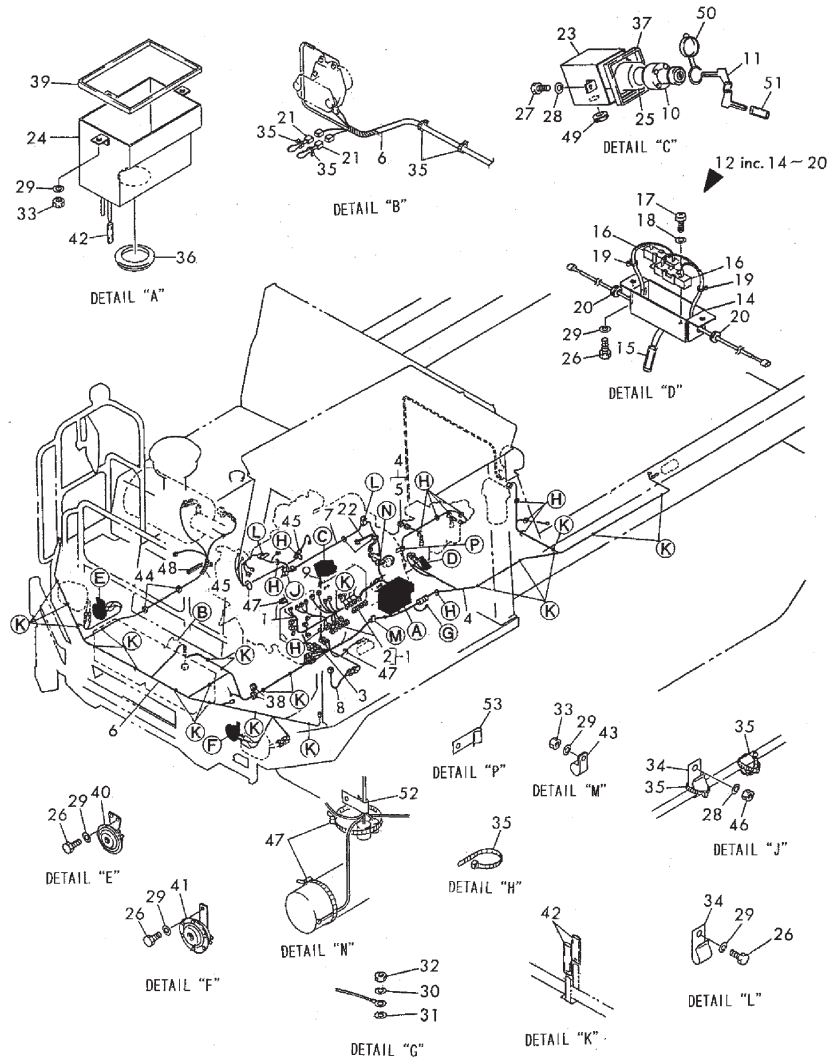
(B)=

(C)=

(D)=

(E)=

(F)=



REF.	LEV.	PARTS NO.	DESCRIPTION	Q'TY						I	R
				(A)	(B)	(C)	(D)	(E)	(F)		
1	1	E0870424100	WIRE HARNESS	1							
2	2	E1730500007	DIODE 3A	14							
3	1	E0870424200	WIRE HARNESS	1							
4	1	E0870424300	WIRE HARNESS	1							
5	2	E1730500007	DIODE 3A	2							
6	1	E0870423450	WIRE HARNESS	1							
7	1	E0870423500	WIRE HARNESS	1							
8	1	E0870422600	WIRE HARNESS	1							
9	1	E0870423600	WIRE HARNESS	1							
10	1	933110-00200	SWITCH ASSY,STARTER	1							
11	1	933110-00300	PACKING	1							
12	1	E0872424500	RESISTER ASSY.	1							
14	2	E0872424550	BOX	1							
15	2	E0872433150	CLAMP TUBE	2							
16	2	E1730500012	CEMENT RESISTER	2							
17	2	E1120530306	SCREW(+) M 3X 6	2							
18	2	E1140020003	WASHER,SPRING M 3	2							
19	2	E1652200003	TIE-LAP	2							
20	2	E1652051200	GROMMET	2							
21	1	E0872421850	FUSIBLE RING	2							
22	1	E0870422900	FUSIBLE LINK	1							
23	1	E0870423710	SWITCH BOX	1							
24	1	E0870423800	HARNESS BOX	1							
25	1	E0870431820	COVER,KEY SW.TERMINA	1							
26	1	E1100040812	BOLT M 8X12	8							
27	1	E1100040610	BOLT M 6X10	2							
28	1	E1140020006	SPRING WASHER 6	3							
29	1	E1140020008	SPRING WASHER 8	12							
30	1	E1140020010	SPRING WASHER 10	2							
31	1	E1140330010	TOOTHED WASHER 10	2							
32	1	E1130040010	NUT M10	2							
33	1	E1130040008	NUT M 8	4							
34	1	E0007300004	CLAMP	3							
35	1	E1652231100	TIGH-LAP	19							
36	1	E1652060063	BUSHING 60	1							
37	1	E1654613032	PACKING,RUBBER	1							
38	1	E0337017300	GUARD,HOSE	2							
39	1	E1654613061	PACKING,RUBBER	1							
40	1	E1703500624	HORN	1							
41	1	E1703500724	HORN	1							
42	1	E0872433150	CLAMP TUBE	56							
43	1	E0007300013	CLAMP	1							
44	1	E1652052600	GROMMET	2							
45	1	E1532212110	SPIRAL TUBE	2							
46	1	E1130040006	NUT M 6	1							
47	1	E1652241300	TIE-LAP	5							
48	1	E1653917010	SEAL TRIM	1							
49	1	E1652052000	GROMMET	1							
50	1	E0870431810	CAP	1							
51	1	E1531010004	VINYL HOSE	1							
52	1	E0007300010	CLAMP	1							

N:Old $\begin{matrix} \text{Yes} \\ \text{No} \end{matrix}$ New, Q:Old $\begin{matrix} \text{No} \\ \text{Yes} \end{matrix}$ New, R:Old $\begin{matrix} \text{Yes} \\ \text{No} \end{matrix}$ New, S:Old $\begin{matrix} \text{No} \\ \text{Yes} \end{matrix}$ New, W:Add, Z:Discontinued, F:Interchangeable by set, K:Q'ty Change
 ++ CONTINUE ++
 (C)Copy Rights YANMAR CO.,LTD.

Fig.16. ERECTRICAL WIRING (M/#20545C-)

(A)=C80R-2

(B)=

(C)=

(D)=

(E)=

(F)=

REF.	LEV.	PARTS NO.	DESCRIPTION	Q'TY						I	R
				(A)	(B)	(C)	(D)	(E)	(F)		
53	1	E0007300012	CLAMP	1							

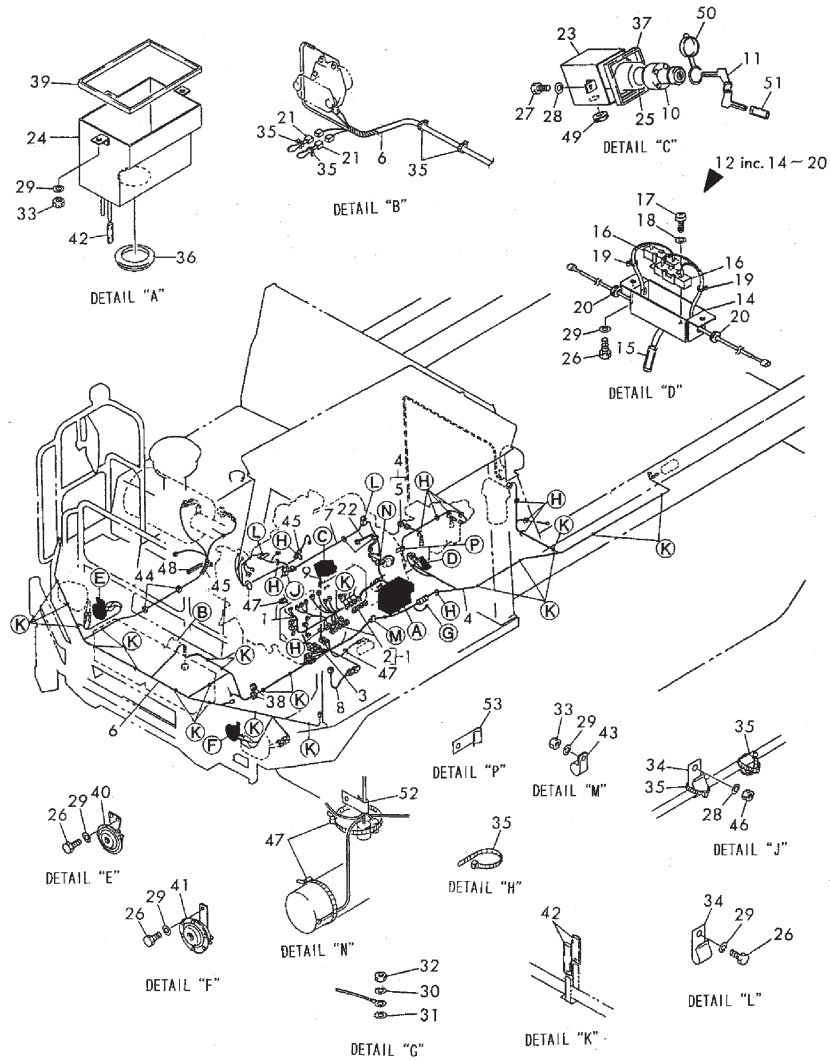


Fig.17. BATTERY

(A)=C80R-2

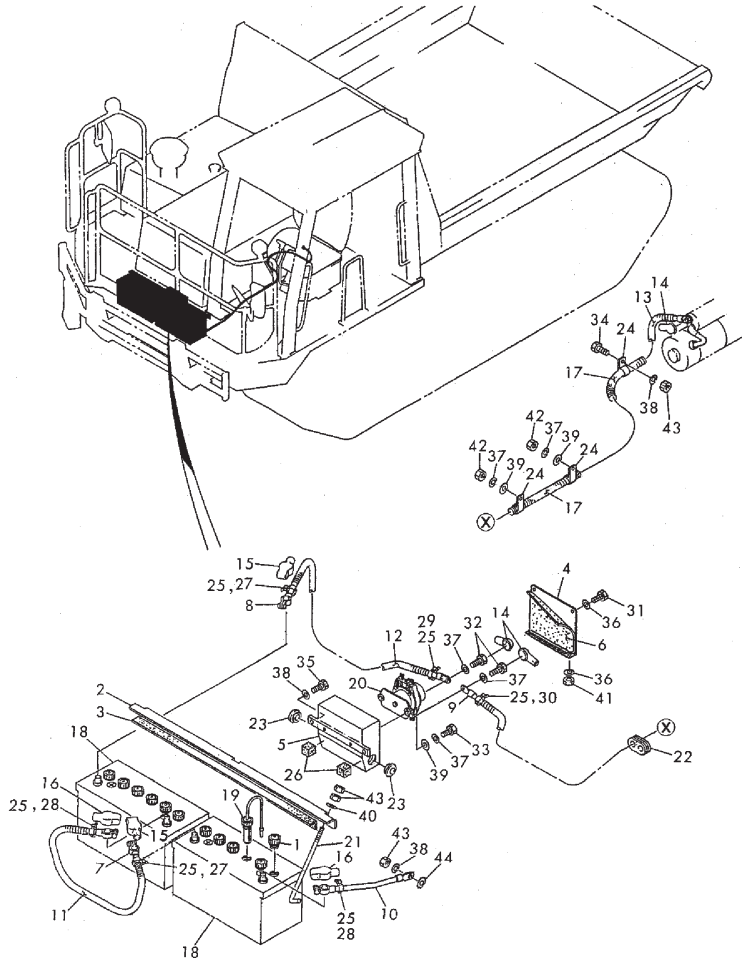
(B)=

(C)=

(D)=

(E)=

(F)=



REF.	LEV.	PARTS NO.	DESCRIPTION	Q'TY						I	R
				(A)	(B)	(C)	(D)	(E)	(F)		
1	1	E1702090107	PLUG CAP,BATTERY	11							
2	1	E0870441010	CLAMP,BATTERY	1							
3	1	E0870441020	PLATE,RUBBER	1							
4	1	E0872442530	COVER A	1							
5	1	E0872442540	COVER B	1							
6	1	E0872442560	INSULATOR	1							
7	1	E1702660075	CABLE,BATTERY	1							
8	1	E1702605070	CABLE,BATTERY	1							
9	1	E1702560240	CABLE,BATTERY	1							
10	1	E1702260035	EARTH CABLE	1							
11	1	E1703211563	CORRUGATE TUBE	1							
12	1	E1703211578	CORRUGATE TUBE	1							
13	1	E1703241508	CORRUGATE TUBE	1							
14	1	E1702901282	CAP,TERMINAL	3							
15	1	E1702920001	TERMINAL COVER,BATT.	2							
16	1	E1702920002	TERMINAL COVER,BATT.	2							
17	1	E1532224030	SPIRAL TUBE	2							
18	1	E1702003041	BATTERY	2							
19	1	E1700100003	SENSOR	1							
20	1	X844901010	BATTERY RELAY	1							1
21	1	E1702108260	HOOK BOLT	3							
22	1	E0097210300	GROMMET	1							
23	1	E1652053800	GROMMET	2							
24	1	E0007300001	CLAMP	3							
25	1	E1652201004	TIE-LAP	6							
26	1	E1654309030	SPONGY	2							
27	1	E1720200301	MARK TUBE(+)	2							
28	1	E1720200302	MARK TUBE(-)	2							
29	1	E1720200203	MARK TUBE	1							
30	1	E1720200579	MARK TUBE	1							
31	1	E1100040612	BOLT M 6X12	2							
32	1	E1100040816	BOLT M 8X 16	2							
33	1	E1100040820	BOLT M 8X 20	2							
34	1	E1100241016	BOLT M10X 16	1							
35	1	E1100041030	BOLT M10X30	2							
36	1	E1140020006	SPRING WASHER 6	4							
37	1	E1140020008	SPRING WASHER 8	6							
38	1	E1140020010	SPRING WASHER 10	4							
39	1	E1141110008	WASHER 8	4							
40	1	E1141110010	WASHER 10	3							
41	1	E1130030006	NUT M 6	2							
42	1	E1130030008	NUT M 8	2							
43	1	E1130030010	NUT M10	8							
44	1	E1140330010	TOOTHED WASHER 10	1							

Remarks
(1)PART NO.OF HINO MOTORS LTD.

N:Old $\begin{matrix} \leftarrow \text{Yes} \\ \text{No} \end{matrix}$ New, Q:Old $\begin{matrix} \leftarrow \text{No} \\ \text{Yes} \end{matrix}$ New, R:Old $\begin{matrix} \leftarrow \text{Yes} \\ \text{Yes} \end{matrix}$ New, S:Old $\begin{matrix} \leftarrow \text{No} \\ \text{No} \end{matrix}$ New, W:Add, Z:Discontinued, F:Interchangeable by set, K:Q'ty Change

Fig.18. BACK LIGHT & HEAD LIGHT

(A)=C80R-2

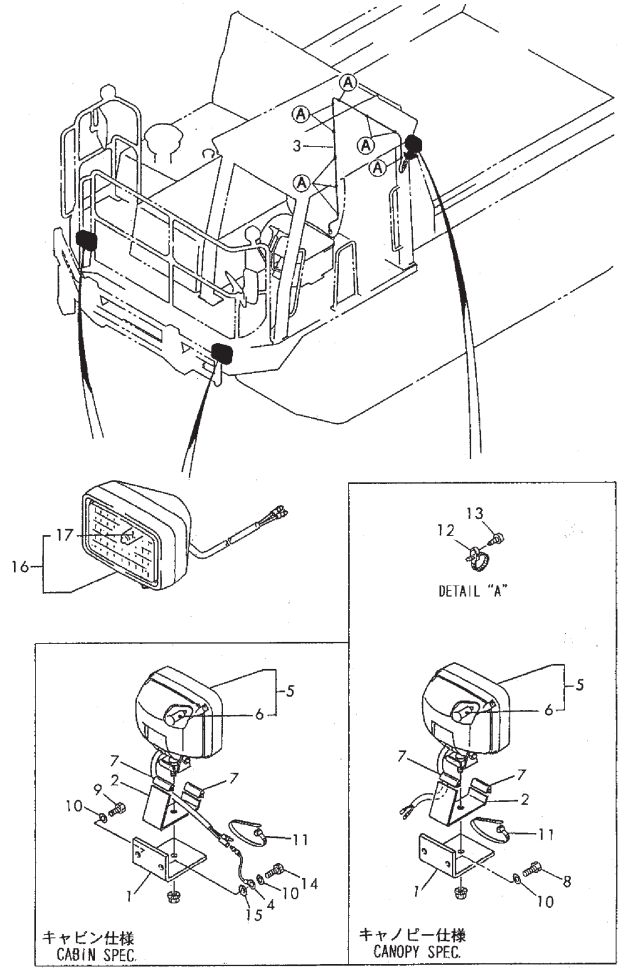
(B)=

(C)=

(D)=

(E)=

(F)=



REF.	LEV.	PARTS NO.	DESCRIPTION	Q'TY						I	R
				(A)	(B)	(C)	(D)	(E)	(F)		
1	1	E0872494010	ANGLE	1							
2	1	E0872494020	PLATE	1							
3	1	E0870491510	WIRE HARNESS	1							
4	1	E0872494030	WIRE HARNESS	1							1
5	1	E1703004800	WARKING LIGHT	1							
6	2	E1703004806	BULB	1							
7	1	E1654613035	PACKING,RUBBER	2							
8	1	E1100040812	BOLT M 8X12	2							
9	1	E1100040812	BOLT M 8X12	1							1
10	1	E1140020008	SPRING WASHER 8	2							
11	1	E1652241300	TIE-LAP	1							
12	1	E1652221050	CLAMP	9							
13	1	E1122400512	TAPPING SCREW M 5X12	9							
14	1	E1100040816	BOLT M 8X 16	1							1
15	1	E1140330008	TOOTHED WASHER 8	1							1
16	1	E1703005400	HEAD LIGHT	2							
17	2	E1703005405	BULB	2							

Remarks
 (1)CABIN SPEC.

Fig.19. WINDOW WASHER(OPTIONAL)

(A)=C80R-2

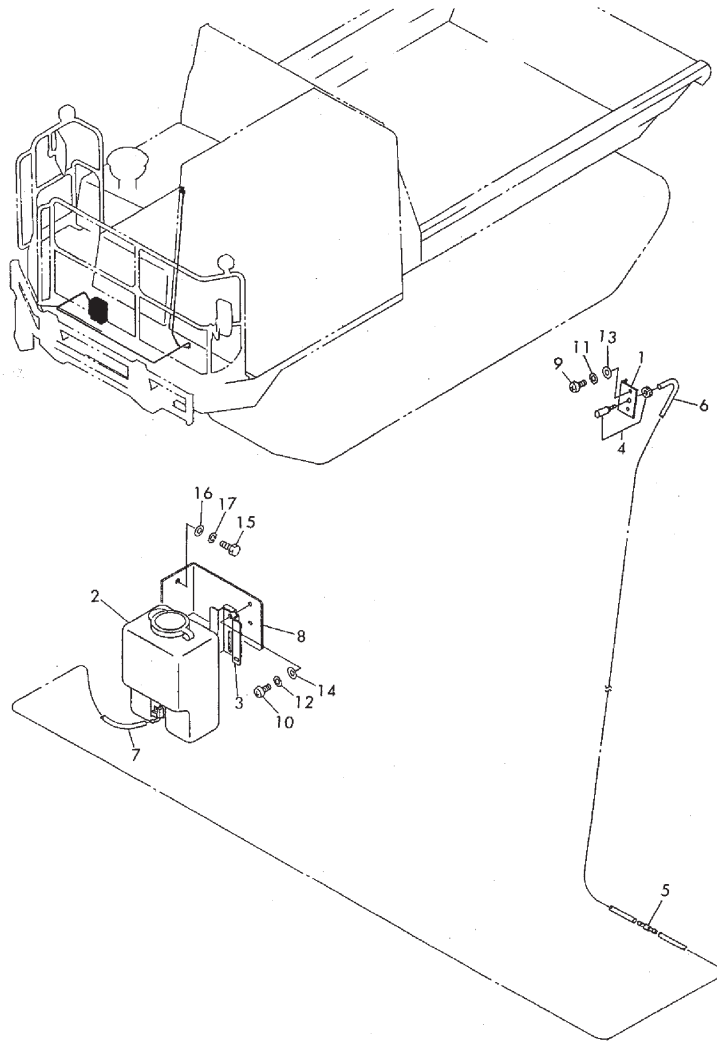
(B)=

(C)=

(D)=

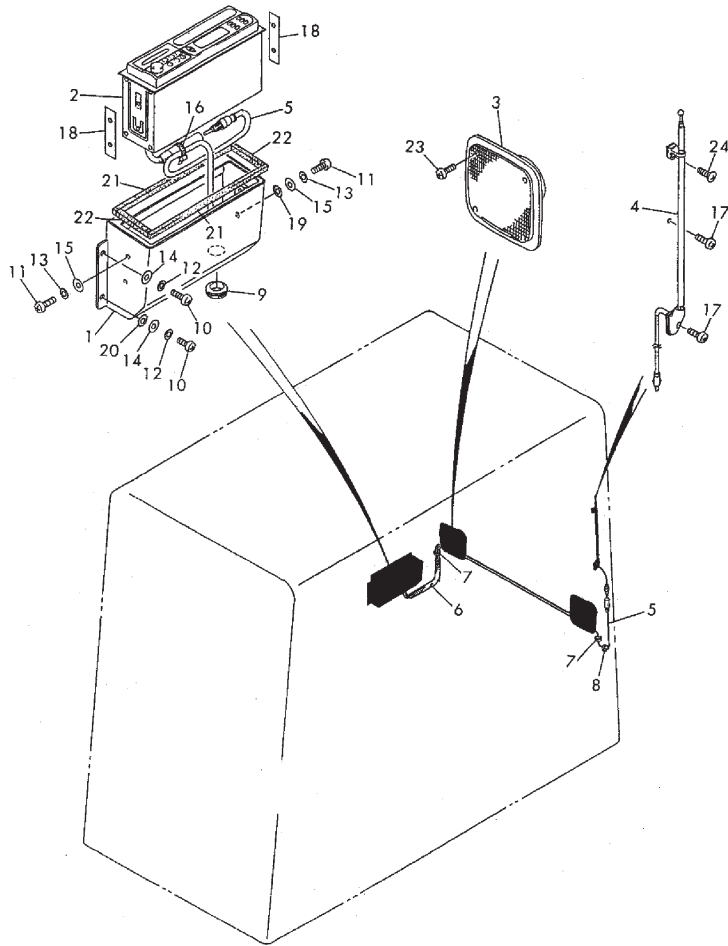
(E)=

(F)=



REF.	LEV.	PARTS NO.	DESCRIPTION	Q'TY						I	R
				(A)	(B)	(C)	(D)	(E)	(F)		
1	1	E0872890201	PLATE	1							
2	1	E1711910061	TANK,WASHER	1							
3	1	E1711910062	BRACKET	1							
4	1	E1711910040	NOZZLE	1							
5	1	E1711910014	JOINT,HOSE	1							
6	1	E1711919140	HOSE,WASHER	1							
7	1	E1711919180	HOSE,WASHER	1							
8	1	E0870890020	PLATE	1							
9	1	E1120590412	SCREW M 4X 12	2							
10	1	E1120530612	SCREW(+)M 6X16	2							
11	1	E1140090004	SPRING WASHER M 4	2							
12	1	E1140020006	SPRING WASHER 6	2							
13	1	E1141190004	WASHER M 4	2							
14	1	E1141110006	WASHER,PLAIN 6	2							
15	1	E1100240825	BOLT M 8X 25	2							
16	1	E1141110006	WASHER,PLAIN 6	2							
17	1	E1140020008	SPRING WASHER 8	2							

Fig.20. RADIO(OPTIONAL)



(A)=C80R-2

(B)=

(C)=

(D)=

(E)=

(F)=

REF.	LEV.	PARTS NO.	DESCRIPTION	Q'TY						I	R
				(A)	(B)	(C)	(D)	(E)	(F)		
1	1	E0872472010	RADIO CASE	1							
2	1	E1705002200	CASSETTE RADIO	1							
I 2-1	1	E1705002800	CASSETTE RADIO	1							N
(A=M/#20529C)											
3	1	E1705002150	SPEAKER	2							
4	1	E1705001980	ANTENNA ASSY.	1							
5	1	E1705001970	JUMPER,ANTENNA	1							
6	1	E1703211022	CORRUGATE TUBE	1							
7	1	E1652001602	GROMMET	2							
8	1	E1652002202	GROMMET	1							
9	1	E1652041515	GROMMET	1							
10	1	E1120530616	SCREW	4							
I 10-1	1	E1120590616	SCREW(+)M 6X 16	4							N
(A=* 1996.10)											
11	1	E1120530430	SCREW(+) M 4X 30	4							
I 11-1	1	E1120590416	SCREW(+)M 4X 30	4							S
(A=M/#20529C)											
12	1	E1140020006	SPRING WASHER 6	4							
I 12-1	1	E1140090006	SPRING WASHER 6	4							N
(A=*1996.10)											
13	1	E1140020004	WASHER,SPRING M 4	4							
I 13-1	1	E1140090004	SPRING WASHER M 4	4							N
(A=*1996.10)											
14	1	E1141120006	WASHER M 6	4							
I 14-1	1	E1141190006	WASHER 6	4							N
(A=*1996.10)											
15	1	E1141120004	WASHER 4	4							
I 15-1	1	E1141190004	WASHER M 4	4							N
(A=*1996.10)											
16	1	E1652201003	TIE-LAP	2							
17	1	E1120530406	SCREW(+) M 4X 6	1							
I 17-1	1	E1120530406	SCREW(+) M 4X 6	2							K
(A=M/#20529C)											
I 18	1	E0872472020	PLATE	2							W
(A=M/#20529C)											
I 19	1	E1140330004	WASHER 4,TOOTHED	1							W
(A=M/#20529C)											
I 20	1	E1140330006	WASHER(TOOTHED)	1							W
(A=M/#20529C)											
I 21	1	E0872472030	URETHANE	2							W
(A=M/#20529C)											
I 22	1	E0872472040	URETHANE	2							W
(A=M/#20529C)											
23	1	E1120530406	SCREW(+) M 4X 6	8							
24	1	E1120730416	SCREW M 4X 16	1							

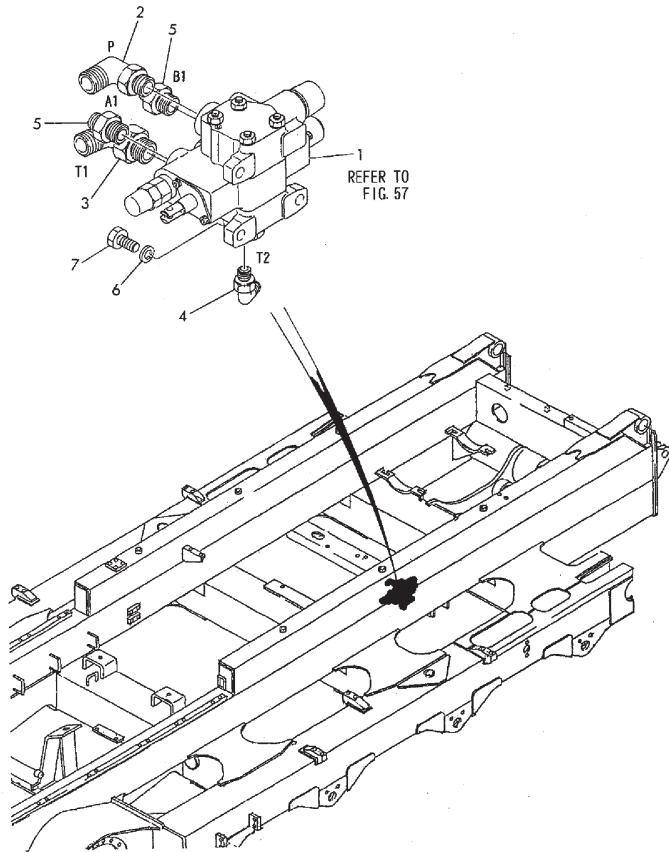
Fig.21. CONTROL VALVE

OCK30-G34000 21. CONTROL VALVE

(A)=C80R-2
(B)=
(C)=

(D)=
(E)=
(F)=

REF.	LEV.	PARTS NO.	DESCRIPTION	Q'TY						I	R
				(A)	(B)	(C)	(D)	(E)	(F)		
1	1	E1901034800	CONTROL VALVE ASSY.	1							1
2	1	E1515010132	ELBOW 90 ,W.SEAT	1							
3	1	E1515010043	ELBOW 90 ,W.SEAT	1							
4	1	E1515010040	ELBOW (90)	1							
5	1	E1515600577	ADAPTER UNION	2							
6	1	E1140020010	SPRING WASHER 10	3							
7	1	E1100041025	BOLT M10X 25	3							



Remarks
(1)REFER TO FIG.57

Fig.22. HYDRAULIC OIL PIPING(1/2)(M/#20501C-20544C)

(A)=C80R-2

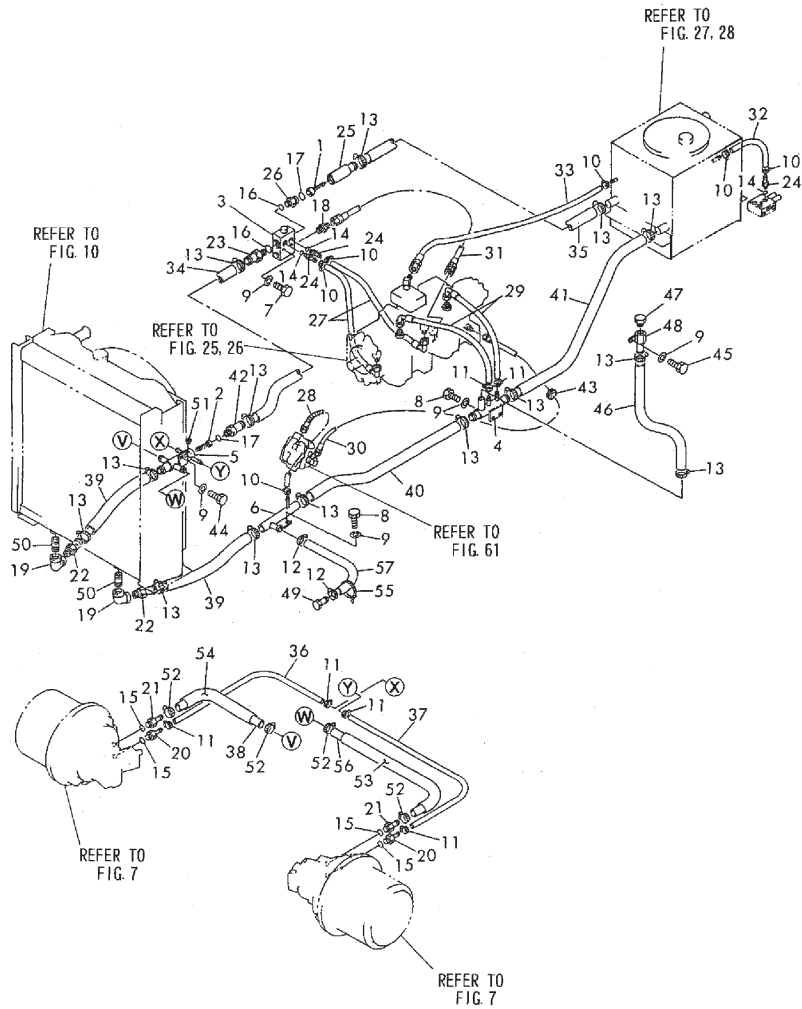
(B)=

(C)=

(D)=

(E)=

(F)=



REF.	LEV.	PARTS NO.	DESCRIPTION	Q'TY						I	R
				(A)	(B)	(C)	(D)	(E)	(F)		
1	1	E1540140815	CHECK VALVE	1							
2	1	E1540140810	INLINE CHECK VALVE	1							
3	1	E1901729300	RELIEF VALVE	1							
4	1	E0870702730	MANIFOLD	1							
5	1	E0870702770	PIPE A	1							
6	1	E0870702540	PIPE B	1							
7	1	E1100041060	BOLT M10X 60	2							
8	1	E1100241016	BOLT M10X 16	4							
9	1	E1140020010	SPRING WASHER 10	9							
10	1	E1533700015	HOSE CLIP	6							
11	1	E1533700017	HOSE CLIP	6							
12	1	E1533700025	HOSE CLIP	2							
13	1	E1533700051	HOSE CLIP	14							
14	1	E1420010110	O-RING P11-1B	3							
15	1	E1420010180	O-RING 1B-P18	4							
16	1	E1420010240	O-RING P24	2							
17	1	E1420010290	O-RING 1B-P29	2							
18	1	E1515600203	ADAPTER UNION	1							
19	1	E1508010010	ELBOW	2							
20	1	E0870702550	HOSE NIPPLE	2							
21	1	E0870702800	HOSE NIPPLE	2							
22	1	E0870702590	HOSE NIPPLE	2							
23	1	E0870702600	HOSE NIPPLE	1							
24	1	E0872702070	HOSE NIPPLE	3							
25	1	E0872702270	PIPE	1							
26	1	E0872702280	ADAPTER UNION	1							
27	1	E0870702650	HOSE,LOW-PRESSURE	2							
28	1	E0870702660	HOSE,LOW-PRESSURE	1							
29	1	E0870702670	HOSE,LOW-PRESSURE	2							
30	1	E0870702750	HOSE,MID.-PRESSURE	1							
31	1	E1801026050	HOSE,HIGH-PRESSURE	1							
32	1	E1530506017	HOSE,LOW-PRESSURE	1							
33	1	E0870702740	HOSE,LOW-PRESSURE	1							
34	1	E1530532110	HOSE,LOW-PRESSURE	1							
35	1	E1530532064	HOSE,LOW-PRESSURE	1							
36	1	E1530509063	HOSE,HIGH-PRESSURE	1							
37	1	E1530509120	HOSE,LOW-PRESSURE	1							
38	1	E0870702820	HOSE,LOW-PRESSURE	1							
39	1	E1530532046	HOSE,LOW-PRESSURE	2							
40	1	E1530532105	HOSE,LOW-PRESSURE	1							
41	1	E1530532070	HOSE,LOW-PRESSURE	1							
42	1	E0870702700	HOSE NIPPLE	1							
43	1	E1652022506	GROMET	1							
44	1	E1100241025	BOLT M10X 25	2							
45	1	E1100241014	BOLT M10X 14	1							
46	1	E1530532090	HOSE,LOW-PRESS.	1							
47	1	E1515600504	PLUG	1							
48	1	E0872702480	PIPE,OIL FEED	1							
49	1	E0870702790	PLUG,HOSE	1							
50	1	E0009110060	PIPE NIPPLE	2							
51	1	E1501810001	PLUG PT1/8	1							

N:Old $\begin{matrix} \text{Yes} \\ \text{No} \end{matrix}$ New, Q:Old $\begin{matrix} \text{No} \\ \text{Yes} \end{matrix}$ New, R:Old $\begin{matrix} \text{Yes} \\ \text{No} \end{matrix}$ New, S:Old $\begin{matrix} \text{No} \\ \text{Yes} \end{matrix}$ New, W:Add, Z:Discontinued, F:Interchangeable by set, K:Q'ty Change
 ++ CONTINUE ++
 (C)Copy Rights YANMAR CO.,LTD.

Fig.22. HYDRAULIC OIL PIPING(1/2)(M/#20501C-20544C)

(A)=C80R-2

(B)=

(C)=

(D)=

(E)=

(F)=

REF.	LEV.	PARTS NO.	DESCRIPTION	Q'TY						I	R
				(A)	(B)	(C)	(D)	(E)	(F)		
52	1	E1533700033	HOSE CLIP	4							
53	1	E1531325058	HOSE,PROTECT.	1							
54	1	E1531325042	HOSE,PROTECT.	1							
55	1	E1652231250	TIE-LAP	1							
56	1	E0870702830	HOSE,LOW-PRESSURE	1							
57	1	E1530512053	HOSE,LOW-PRESSURE	1							

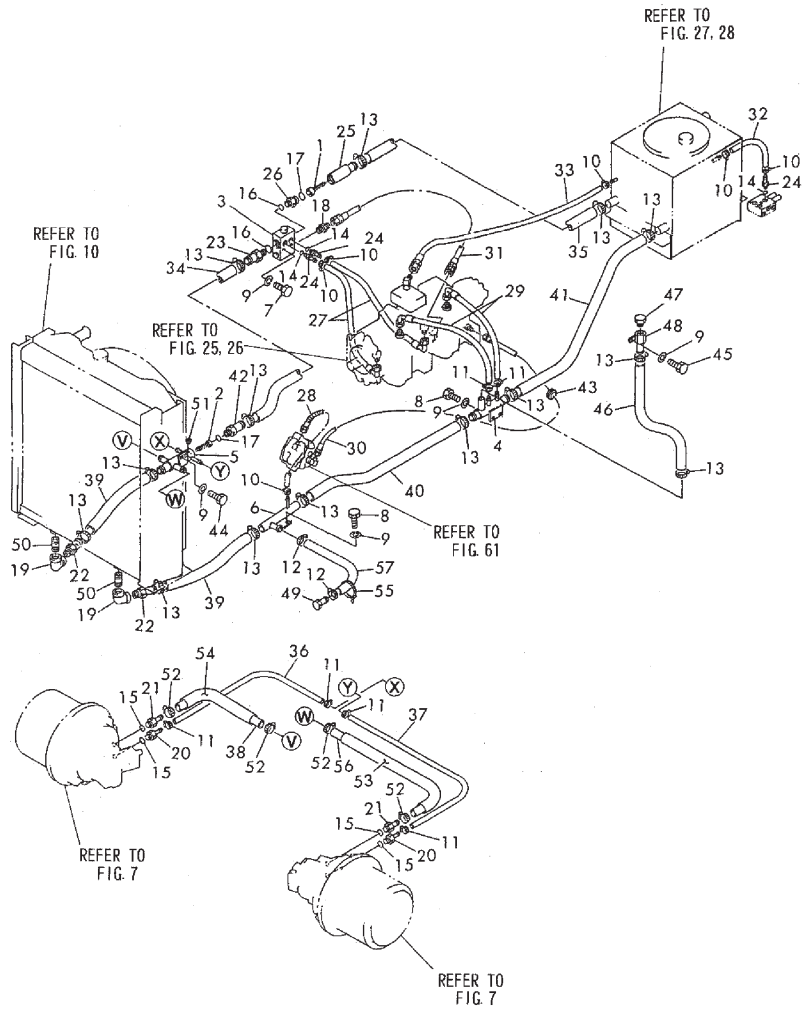


Fig.23. HYDRAULIC OIL PIPING(1/2)(M/#20545C-)

(A)=C80R-2

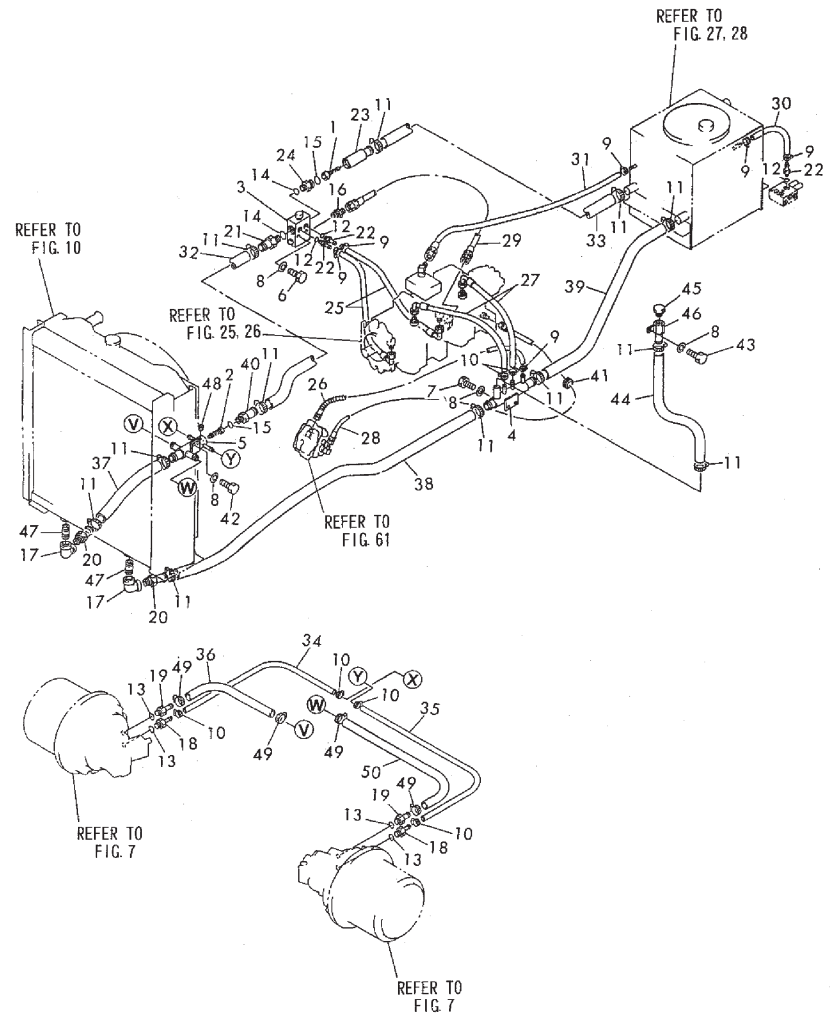
(B)=

(C)=

(D)=

(E)=

(F)=



REF.	LEV.	PARTS NO.	DESCRIPTION	Q'TY						I	R
				(A)	(B)	(C)	(D)	(E)	(F)		
1	1	E1540140815	CHECK VALVE	1							
2	1	E1540140810	INLINE CHECK VALVE	1							
3	1	E1901729300	RELIEF VALVE	1							
4	1	E0870702780	MANIFOLD	1							
5	1	E0870702770	PIPE A	1							
6	1	E1100041060	BOLT M10X 60	2							
7	1	E1100241016	BOLT M10X 16	2							
8	1	E1140020010	SPRING WASHER 10	7							
9	1	E1533700015	HOSE CLIP	6							
10	1	E1533700017	HOSE CLIP	6							
11	1	E1533700051	HOSE CLIP	12							
12	1	E1420010110	O-RING P11-1B	3							
13	1	E1420010180	O-RING 1B-P18	4							
14	1	E1420010240	O-RING P24	2							
15	1	E1420010290	O-RING 1B-P29	2							
16	1	E1515600203	ADAPTER UNION	1							
17	1	E1508010010	ELBOW	2							
18	1	E0870702550	HOSE NIPPLE	2							
19	1	E0870702800	HOSE NIPPLE	2							
20	1	E0870702590	HOSE NIPPLE	2							
21	1	E0870702600	HOSE NIPPLE	1							
22	1	E0872702070	HOSE NIPPLE	3							
23	1	E0872702270	PIPE	1							
24	1	E0872702280	ADAPTER UNION	1							
25	1	E0870702650	HOSE,LOW-PRESSURE	2							
26	1	E0870702810	HOSE,LOW-PRESSURE	1							
27	1	E0870702670	HOSE,LOW-PRESSURE	2							
28	1	E0870702750	HOSE,MID.-PRESSURE	1							
29	1	E1801026050	HOSE,HIGH-PRESSURE	1							
30	1	E1530506017	HOSE,LOW-PRESSURE	1							
31	1	E0870702740	HOSE,LOW-PRESSURE	1							
32	1	E1530532110	HOSE,LOW-PRESSURE	1							
33	1	E1530532064	HOSE,LOW-PRESSURE	1							
34	1	E1530509063	HOSE,HIGH-PRESSURE	1							
35	1	E1530509120	HOSE,LOW-PRESSURE	1							
36	1	E0870702820	HOSE,LOW-PRESSURE	1							
37	1	E1530532041	HOSE,LOW-PRESSURE	1							
38	1	E1530532173	HOSE,LOW-PRESSURE	1							
39	1	E1530532070	HOSE,LOW-PRESSURE	1							
40	1	E0870702700	HOSE NIPPLE	1							
41	1	E1652022506	GROMET	1							
42	1	E1100241025	BOLT M10X 25	2							
43	1	E1100241014	BOLT M10X 14	1							
44	1	E1530532090	HOSE,LOW-PRESS.	1							
45	1	E1515600504	PLUG	1							
46	1	E0872702480	PIPE,OIL FEED	1							
47	1	E0009110060	PIPE NIPPLE	2							
48	1	E1501810001	PLUG PT1/8	1							
49	1	E1533700033	HOSE CLIP	4							
50	1	E0870702830	HOSE,LOW-PRESSURE	1							

N:Old $\begin{matrix} \text{Yes} \\ \text{No} \end{matrix}$ New, Q:Old $\begin{matrix} \text{No} \\ \text{Yes} \end{matrix}$ New, R:Old $\begin{matrix} \text{Yes} \\ \text{Yes} \end{matrix}$ New, S:Old $\begin{matrix} \text{No} \\ \text{No} \end{matrix}$ New, W:Add, Z:Discontinued, F:Interchangeable by set, K:Q'ty Change

Fig.24. HYDRAULIC OIL PIPING(2/2)

(A)=C80R-2

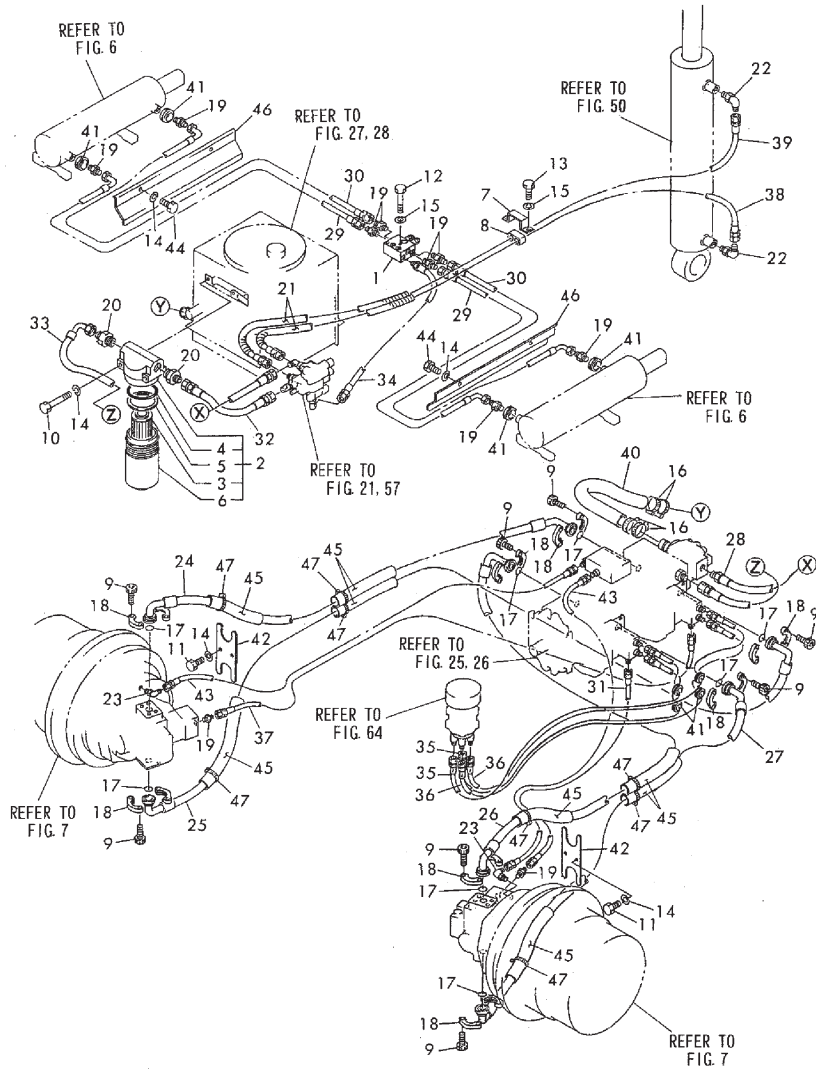
(B)=

(C)=

(D)=

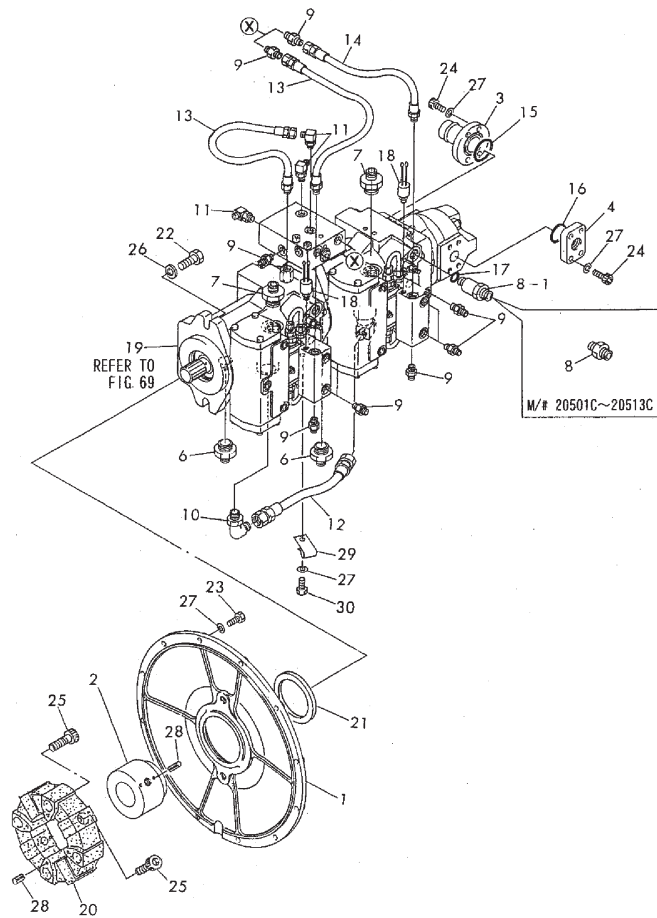
(E)=

(F)=



REF.	LEV.	PARTS NO.	DESCRIPTION	Q'TY						I	R
				(A)	(B)	(C)	(D)	(E)	(F)		
1	1	E1901729100	AUTO-TENSION VALVE	1							
2	1	E1551102100	LINE FILTER	1							
3	2	E1551102103	ELEMENT, FILTER	1							
4	2	E1420010950	O-RING	1							
5	2	E1421010950	BACK-UP RING	1							
6	2	E1551102106	CASE	1							
7	1	E0872702040	PLATE	1							
8	1	E0872702050	CLAMP	1							
9	1	E1110041035	SOCKET BOLT M10X 35	32							
10	1	E1100041095	BOLT M10X 95	2							
11	1	E1100241016	BOLT M10X 16	4							
12	1	E1100040860	BOLT M 8X60	2							
13	1	E1100240814	BOLT M 8X 14	2							
14	1	E1140020010	SPRING WASHER 10	10							
15	1	E1140020008	SPRING WASHER 8	4							
16	1	E1533700057	HOSE CLIP	4							
17	1	E1420310214	O-RING	8							
18	1	E1533551006	SPLIT FLANGE	16							
19	1	E1515600200	ADAPTER UNION	10							
20	1	E1515600579	ADAPTER UNION	2							
21	1	E1532210065	SPIRAL TUBE	2							
22	1	E1515010041	ELBOW 90	2							
23	1	E1515010040	ELBOW (90)	2							
24	1	E0870703010	HOSE,HIGH-PRESSURE	1							
25	1	E0870703020	HOSE,HIGH-PRESSURE	1							
26	1	E0870703030	HOSE,HIGH-PRESSURE	1							
27	1	E0870703040	HOSE,HIGH-PRESSURE	1							
28	1	E0870702610	HOSE,HIGH-PRESSURE	1							
29	1	E1801600108	HOSE,HIGH-PRESSURE	2							
30	1	E1801601144	HOSE,HIGH-PRESSURE	2							
31	1	E1801032180	HOSE,MID.PRESSURE	1							
32	1	E1801026050	HOSE,HIGH-PRESSURE	1							
33	1	E1801056088	HOSE,MID-PRESSURE	1							
34	1	E1801002050	HOSE,MID-PRESSURE	1							
35	1	E1801022154	HOSE,MID-PRESSURE	2							
36	1	E1801022180	HOSE,MID-PRESSURE	2							
37	1	E1801032210	HOSE,MID-PRESSURE	1							
38	1	E1801520151	HOSE,HIGH-PRESSURE	1							
39	1	E1801520174	HOSE,HIGH-PRESSURE	1							
40	1	E1530738065	HOSE,LOW-PRESSURE	1							
41	1	E1652022506	GROMET	9							
42	1	E0870702710	COVER	2							
43	1	E1801032224	HOSE,MID.PRESSURE	2							
44	1	E1100241014	BOLT M10X 14	4							
45	1	E1530526035	HOSE ASSY	8							
46	1	E0870703050	PLATE	2							
47	1	E1533700045	HOSE CLIP	8							

Fig.25. HYD.OIL PUMP DRIVING DEVICE (M/#20501C-20544C)



(A)=C80R-2

(B)=

(C)=

(D)=

(E)=

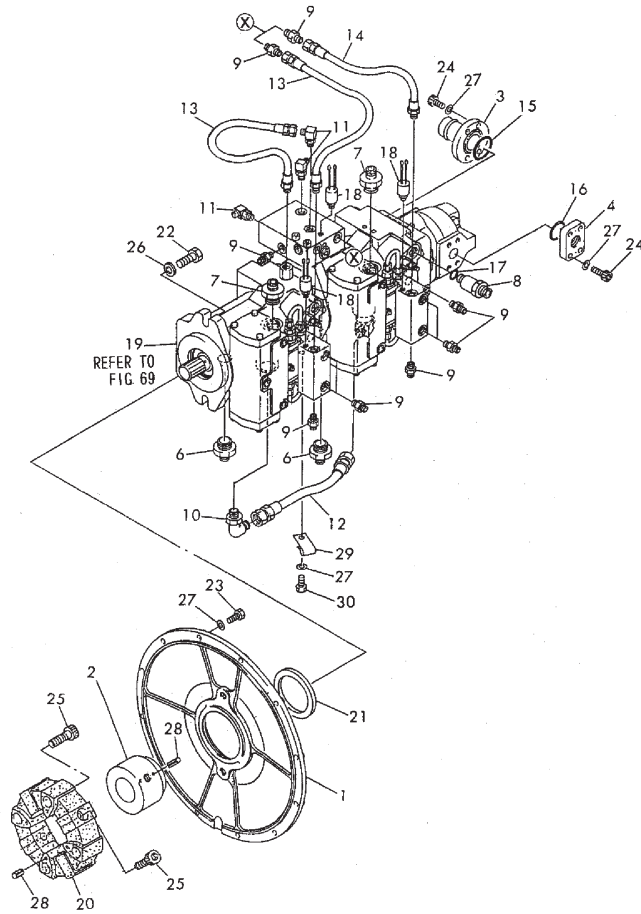
(F)=

REF.	LEV.	PARTS NO.	DESCRIPTION	Q'TY						I	R
				(A)	(B)	(C)	(D)	(E)	(F)		
1	1	E0870520611	HOUSING,ENGINE	1							
2	1	E0870520560	COUPLING	1							
3	1	E0870702400	FLANGE,SUC.	1							
4	1	E0872702140	HOSE ADAPTER	1							
6	1	E0870702570	ADAPTER	2							
7	1	E0870702580	ADAPTER	2							
8	1	E0007203050	ADAPTER	1							
I	8-1	E0870702760	HOSE ADAPTER	1							N
(A=M/#20514C)											
9	1	E1515600200	ADAPTER UNION	10							
10	1	E1515010052	ELBOW 90 ,W.SEAT	1							
11	1	E1515010040	ELBOW (90)	3							
12	1	E1801024032	HOSE,HIGH-PRESSURE	1							
13	1	E1801002033	HOSE,HIGH-PRESSURE	2							
14	1	E1801002027	HOSE,HIGH.PRESSURE	1							
15	1	E1420110450	O-RING	1							
16	1	E1420110350	O-RING G35-1B	1							
I	17	E1420010180	O-RING 1B-P18	1							W
(A=M/#20514C)											
18	1	E1700100015	PRESSURE SWITCH	2							
19	1	172651-73100	HST PUMP	1							1
I	19-1	172651-73101	HST PUMP	1							S 1
(A=M/#20545C)											
20	1	E1602020500	CF COUPLING	1							
21	1	E1400403739	SEAL AG3739A0,OIL	1							
22	1	E1101041645	BOLT M16,P1.5X 45	2							
23	1	E1100041040	BOLT M10X 40	12							
24	1	E1100041025	BOLT M10X 25	8							
25	1	E1110051650	BOLT M16X 50	8							
26	1	E1140020016	SPRING WASHER M16	2							
27	1	E1140020010	SPRING WASHER 10	23							
28	1	E1213000510	SPRING PIN 5X 10	12							
29	1	E0007300035	CLAMP	1							
30	1	E1100241016	BOLT M10X 16	3							

Remarks
(1)REFER TO FIG.69

N:Old $\begin{matrix} \leftarrow \text{Yes} \\ \text{No} \end{matrix}$ New, Q:Old $\begin{matrix} \leftarrow \text{No} \\ \text{Yes} \end{matrix}$ New, R:Old $\begin{matrix} \leftarrow \text{Yes} \\ \text{Yes} \end{matrix}$ New, S:Old $\begin{matrix} \leftarrow \text{No} \\ \text{No} \end{matrix}$ New, W:Add, Z:Discontinued, F:Interchangeable by set, K:Q'ty Change

Fig.26. HYD.OIL PUMP DRIVING DEVICE (M/#20545C-)



(A)=C80R-2

(B)=

(C)=

(D)=

(E)=

(F)=

REF.	LEV.	PARTS NO.	DESCRIPTION	Q'TY						I	R
				(A)	(B)	(C)	(D)	(E)	(F)		
1	1	E0870520611	HOUSING,ENGINE	1							
2	1	E0870520560	COUPLING	1							
3	1	E0870702400	FLANGE,SUC.	1							
4	1	E0872702140	HOSE ADAPTER	1							
6	1	E0870702570	ADAPTER	2							
7	1	E0870702580	ADAPTER	2							
8	1	E0870702760	HOSE ADAPTER	1							
9	1	E1515600200	ADAPTER UNION	10							
10	1	E1515010052	ELBOW 90 ,W.SEAT	1							
11	1	E1515010040	ELBOW (90)	3							
12	1	E1801024032	HOSE,HIGH-PRESSURE	1							
13	1	E1801002033	HOSE,HIGH-PRESSURE	2							
14	1	E1801002027	HOSE,HIGH.PRESSURE	1							
15	1	E1420110450	O-RING	1							
16	1	E1420110350	O-RING G35-1B	1							
17	1	E1420010180	O-RING 1B-P18	1							
18	1	E1700100015	PRESSURE SWITCH	3							
19	1	172651-73100	HST PUMP	1							1
I 19-1	1	172651-73101	HST PUMP	1							S 1
		(A=M/#20509)									
20	1	E1602020500	CF COUPLING	1							
21	1	E1400403739	SEAL AG3739A0,OIL	1							
22	1	E1101041645	BOLT M16,P1.5X 45	2							
23	1	E1100041040	BOLT M10X 40	12							
24	1	E1100041025	BOLT M10X 25	8							
25	1	E1110051650	BOLT M16X 50	8							
26	1	E1140020016	SPRING WASHER M16	2							
27	1	E1140020010	SPRING WASHER 10	23							
28	1	E1213000510	SPRING PIN 5X 10	12							
29	1	E0007300035	CLAMP	1							
30	1	E1100241016	BOLT M10X 16	3							

Remarks
(1)REFER TO FIG.69

Fig.27. HYDRAULIC OIL TANK

(A)=C80R-2

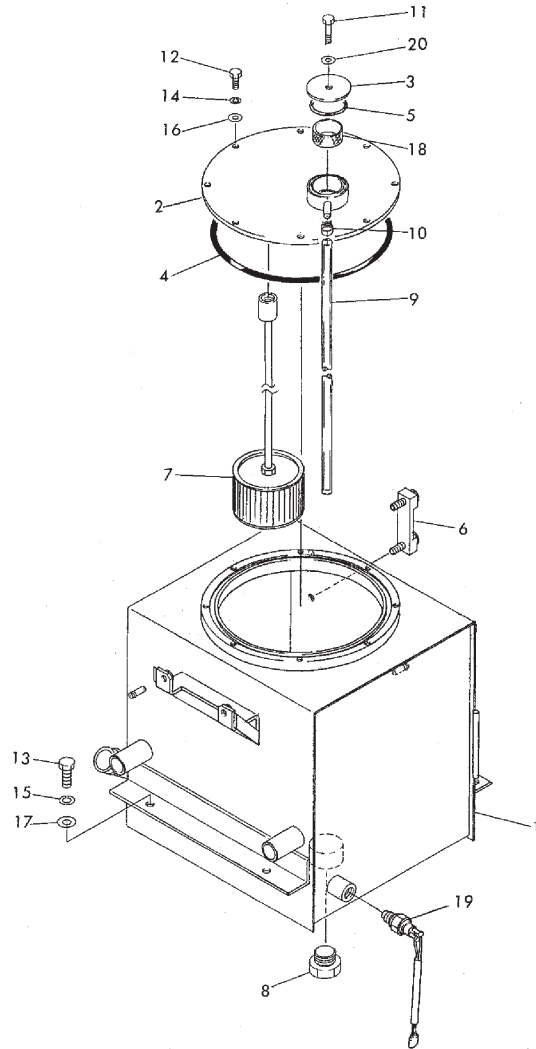
(B)=

(C)=

(D)=

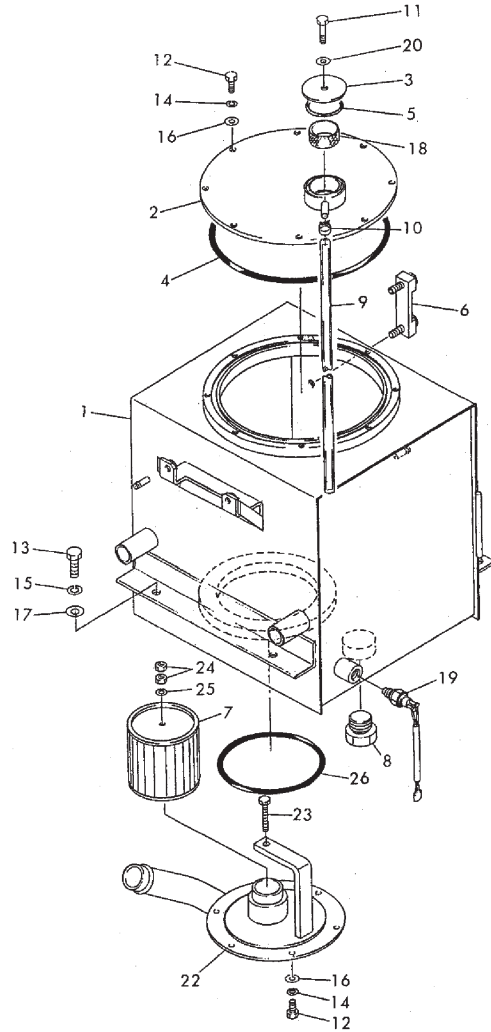
(E)=

(F)=



REF.	LEV.	PARTS NO.	DESCRIPTION	Q'TY						I	R
				(A)	(B)	(C)	(D)	(E)	(F)		
1	1	E0870801600	HYDRAULIC OIL TANK	1							
2	1	E0872803200	COVER	1							
3	1	E0872803300	COVER	1							
4	1	E1420102600	O-RING G260	1							
5	1	E1420100500	O RING	1							
6	1	E1553020685	GAUGE, OIL LEVEL	1							
7	1	E1550210375	STRAINER,SUCTION	1							
8	1	E1501750010	PLUG	1							
9	1	E1531010060	VINYL HOSE	1							
10	1	E1533700017	HOSE CLIP	1							
11	1	E1100040870	BOLT M 8X 70	1							
12	1	E1100040820	BOLT M 8X 20	8							
13	1	E1100041230	BOLT M12X 30	4							
14	1	E1140020008	SPRING WASHER 8	8							
15	1	E1140020012	SPRING WASHER 12	4							
16	1	E1141110008	WASHER 8	8							
17	1	E1141550012	WASHER	4							
18	1	E1554230010	FILTER	1							
19	1	E0870801510	THERMO-SWITCH	1							
I 19-1	1	E0870801520	THERMO-SWITCH	1							N
		(A=M/#20555C)									
I 20	1	E1541400508	WASHER,COPPER 8	1							W
		(A=M/#***)									

Fig.28. HYD.OIL TANK(FLAT BODY SPEC.)(OPTIONAL)



OCK30-G34000 28. HYD.OIL TANK(FLAT BODY SPEC.)(OPTIONAL)

(A)=C80R-2

(B)=

(C)=

(D)=

(E)=

(F)=

REF.	LEV.	PARTS NO.	DESCRIPTION	Q'TY						I	R
				(A)	(B)	(C)	(D)	(E)	(F)		
1	1	E0870801800	HYDRAULIC OIL TANK	1							
2	1	E0872803200	COVER	1							
3	1	E0872803300	COVER	1							
4	1	E1420102600	O-RING G260	1							
5	1	E1420100500	O RING	1							
6	1	E1553020685	GAUGE, OIL LEVEL	1							
7	1	E1550210000	STRAINER,SUCTION	1							
8	1	E1501750010	PLUG	1							
9	1	E1431010060	VINYL HOSE	1							
10	1	E1533700017	HOSE CLIP	1							
11	1	E1100040870	BOLT M 8X 70	1							
12	1	E1100040820	BOLT M 8X 20	14							
13	1	E1100041230	BOLT M12X 30	4							
14	1	E1140020008	SPRING WASHER 8	14							
15	1	E1140020012	SPRING WASHER 12	4							
16	1	E1141110008	WASHER 8	14							
17	1	E1141550012	WASHER	4							
18	1	E1554230010	FILTER	1							
19	1	E0870801520	THERMO-SWITCH	1							
20	1	E1541400508	WASHER,COPPER 8	1							
22	1	E0870801900	COVER	1							
23	1	E1100040855	BOLT M 8X 55	1							
24	1	E1130040008	NUT M 8	2							
25	1	E1140020008	SPRING WASHER 8	1							
26	1	E1420101650	O-RING G165-1A	1							

Fig.29. FUEL OIL TANK

(A)=C80R-2

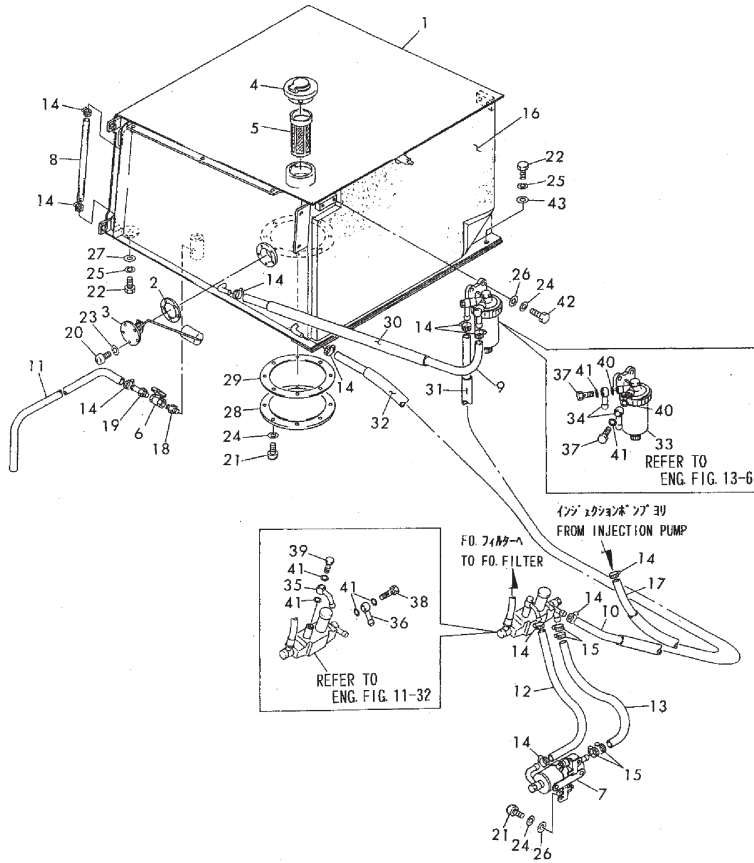
(B)=

(C)=

(D)=

(E)=

(F)=



REF.	LEV.	PARTS NO.	DESCRIPTION	Q'TY						I	R
				(A)	(B)	(C)	(D)	(E)	(F)		
1	1	E0870811700	TANK,FUEL OIL	1							
2	1	E0438101500	PACKING	1							
3	1	E1553200600	FUEL OIL GAUGE UNIT	1							
4	1	E1552100900	CAP,FUEL TANK	1							
5	1	E1552002012	SCREEN,FUEL OIL TANK	1							
6	1	E1521500003	BALL VALVE	1							
7	1	X232101010	PUMP ASSY.,FUEL FEED	1							1
8	1	E1531010029	HOSE,VINYL	1							
I 9	1	E1531210047	HOSE,FUEL OIL	1							M
I 9-1	1	E1531209047	HOSE,FUEL OIL	1							
I 10	1	E1531210250	HOSE,FUEL OIL	1							M
I 10-1	1	E1531209250	HOSE,FUEL OIL	1							
11	1	E1531010115	HOSE,VINYL	1							
12	1	E1531208035	HOSE,RUBBER	1							
13	1	E1531213038	HOSE,FUEL OIL	1							
14	1	E1533700017	HOSE CLIP	11							
15	1	E1533700022	HOSE CLIP	4							
16	1	E0870811750	SOUND ABSORBER	1							
I 16-1	1	E0870811770	SHEET,HEAT PROOF	1							N
		(A=M/#20526C)									
I 17	1	E1531210200	HOSE,FUEL OIL	1							M
I 17-1	1	E1531209200	HOSE,FUEL OIL	1							
18	1	E1501500003	NIPPLE	1							
19	1	E0870811519	JOINT	1							
20	1	E1120530510	SCREW M 5X10	5							
21	1	E1100040816	BOLT M 8X 16	10							
22	1	E1100041025	BOLT M10X 25	7							
23	1	E1140020005	SPRING WASHER 5	5							
24	1	E1140020008	SPRING WASHER 8	12							
25	1	E1140020010	SPRING WASHER 10	7							
26	1	E1141110008	WASHER 8	4							
27	1	E0003600128	WASHER	2							
28	1	E0872812032	COVER	1							
29	1	E0872812033	PACKING	1							
30	1	E1531118027	HOSE,VINYL	1							
31	1	E1531118230	HOSE,VINYL	1							
32	1	E1531118180	HOSE,VINYL	1							
33	1	X448031080	SEPARATOR SUB ASSY.	1							1
34	1	X237811620	PIPE,FUEL	2							1
35	1	X237812800	FUEL PIPE	1							1
36	1	X237813360	PIPE,FUEL OIL	1							1
37	1	X901913101	BOLT,JOINT	2							1
38	1	X228311750	BOLT,JOINT	1							1
39	1	X228311210	BOLT,JOINT	1							1
40	1	X965913110	WASHER,SOFT	2							1
41	1	X965914104	WASHER,SOFT	6							1
42	1	E1100040825	BOLT M 8X25	2							
43	1	E1141110010	WASHER 10	3							

Remarks
(1)PART NO.OF HINO.MOTORS,LTD.

N:Old $\xrightarrow{\text{Yes}}$ New, Q:Old $\xrightarrow{\text{No}}$ New, R:Old $\xrightarrow{\text{Yes}}$ New, S:Old $\xrightarrow{\text{No}}$ New, W:Add, Z:Discontinued, F:Interchangeable by set, K:Q'ty Change

Fig.30. COVER (1/3)

(A)=C80R-2

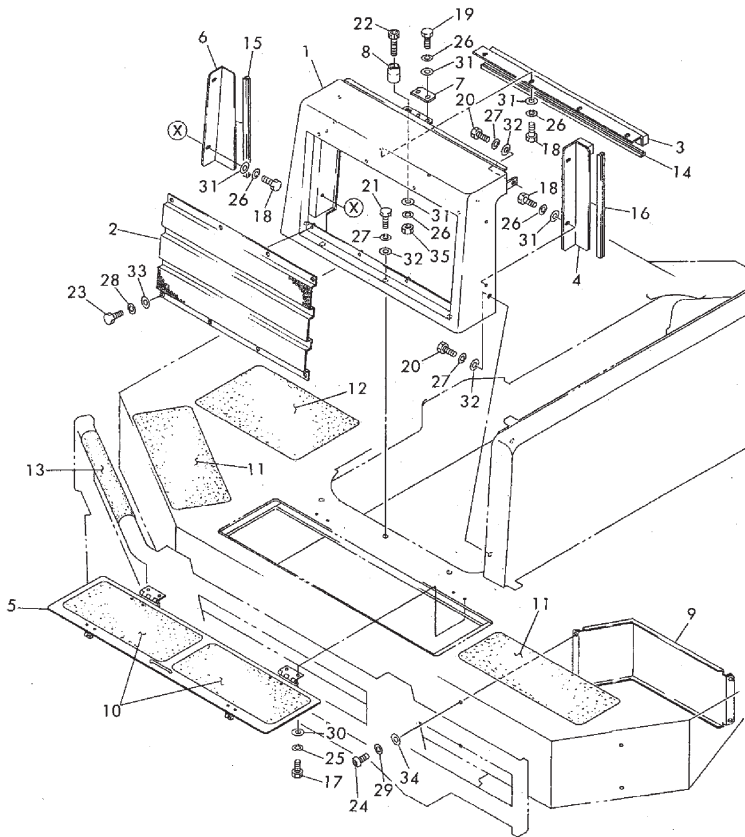
(B)=

(C)=

(D)=

(E)=

(F)=



REF.	LEV.	PARTS NO.	DESCRIPTION	Q'TY						I	R
				(A)	(B)	(C)	(D)	(E)	(F)		
1	1	E0870823100	FRONT COVER ASSY.	1							
2	1	E0870823700	GRILLE,RADIATOR	1							
3	1	E0870823770	PARTITION PLATE ASSY	1							
4	1	E0870823790	PARTITION PLATE(L)AS	1							
5	1	E0870823840	COVER ASSY.,BATTERY	1							
6	1	E0870821516	PLATE F	1							
7	1	E0870823011	HOOK	1							
8	1	E0872824000	GUIDE	1							
9	1	E0872824050	COVER	1							
10	1	E0870821517	NON-SLIP SHEET B	2							
11	1	E0872821700	SHEET,NON-SLIP	2							
12	1	E0568222700	SHEET A	1							
13	1	E0568222800	SHEET B	1							
I 14	1	E1654520067	SASH RUBBER	1							Z
(A=M/#20533C)											
15	1	E1654520035	SASH RUBBER	1							
16	1	E1654520038	SASH RUBBER	1							
17	1	E1100040610	BOLT M 6X10	4							
18	1	E1100040816	BOLT M 8X 16	8							
19	1	E1100040820	BOLT M 8X 20	2							
20	1	E1100041020	BOLT M10X 20	2							
21	1	E1100041025	BOLT M10X 25	4							
22	1	E1110040830	SOCKET BOLT M 8X 30	1							
23	1	E1100090820	BOLT M 8X 20	8							
24	1	E1120991020	SCREW(+) M10X 20	4							
25	1	E1140020006	SPRING WASHER 6	4							
26	1	E1140020008	SPRING WASHER 8	11							
27	1	E1140020010	SPRING WASHER 10	6							
28	1	E1140090008	SPRING WASHER M 8	8							
29	1	E1140090010	SPRING WASHER M10	4							
30	1	E1141110006	WASHER,PLAIN 6	4							
31	1	E1141110008	WASHER 8	11							
32	1	E1141110010	WASHER 10	6							
33	1	E1141190008	WASHER M 8	8							
34	1	E1141190010	WASHER M10	4							
35	1	E1130040008	NUT M 8	1							

Fig.31. BONNET & COVER(2/3)

(A)=C80R-2

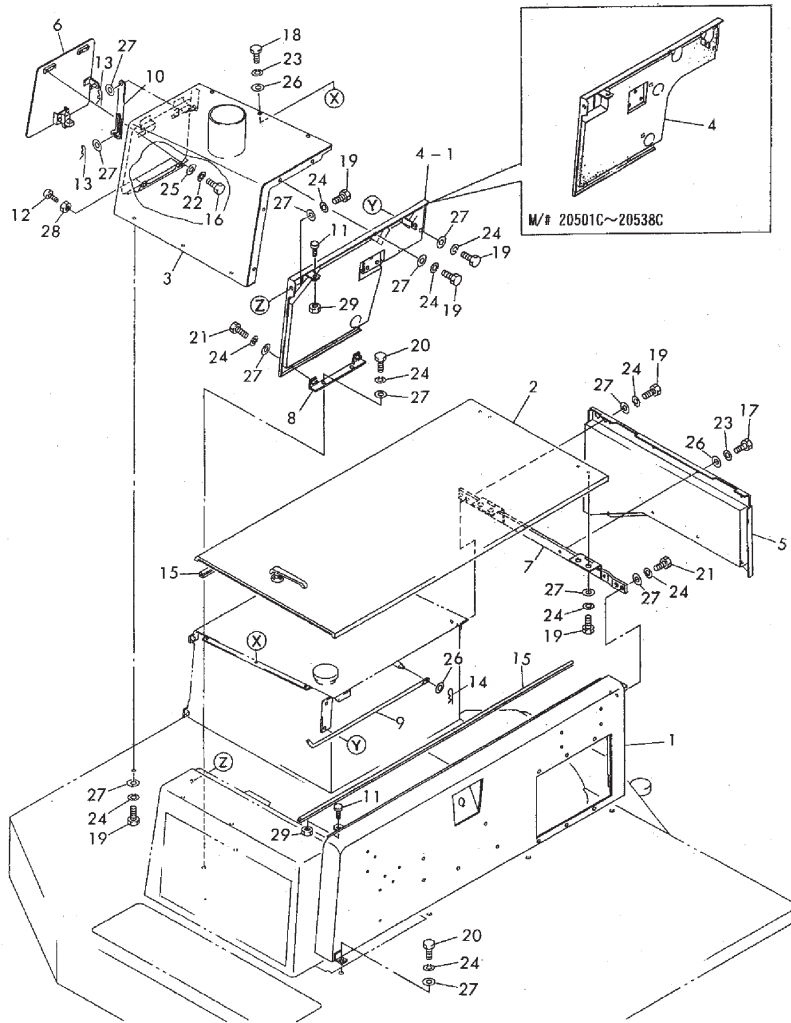
(B)=

(C)=

(D)=

(E)=

(F)=



REF.	LEV.	PARTS NO.	DESCRIPTION	Q'TY						I	R
				(A)	(B)	(C)	(D)	(E)	(F)		
1	1	E0870823200	SIDE COVER(L)ASSY.	1							
2	1	E0870823300	BONNET ASSY.	1							
3	1	E0870823400	COVER TOP,AIR-CLEANR	1							
4	1	E0870823500	SIDE COVER(R)ASSY.	1							
I 4-1	1	E0870823550	SIDE COVER(R)ASSY.	1							S
(A=M/#20539C)											
5	1	E0870823600	REAR COVER ASSY.	1							
6	1	E0870823650	AIR-CLEANER COVER	1							
7	1	E0870823750	HINGE BRACKET	1							
8	1	E0870823820	BRACKET	1							
9	1	E0870823010	LOCK BAR	1							
10	1	E0872823009	STOPPER,COVER	1							
11	1	E1651101042	STOPPER	2							
12	1	E1652515100	CUSHION RUBBER	2							
13	1	E1214000010	PIN (R)	2							
14	1	E1214000008	SNAP PIN 8	1							
15	1	E1654520140	SASH RUBBER	2							
16	1	E1100040612	BOLT M 6X12	4							
17	1	E1100040816	BOLT M 8X 16	8							
18	1	E1100040820	BOLT M 8X 20	5							
19	1	E1100041020	BOLT M10X 20	16							
20	1	E1100041025	BOLT M10X 25	6							
21	1	E1100041030	BOLT M10X30	4							
22	1	E1140020006	SPRING WASHER 6	4							
23	1	E1140020008	SPRING WASHER 8	13							
24	1	E1140020010	SPRING WASHER 10	26							
25	1	E1141110006	WASHER,PLAIN 6	4							
26	1	E1141110008	WASHER 8	14							
27	1	E1141110010	WASHER 10	27							
28	1	E1130040005	NUT M 5	2							
29	1	E1130040010	NUT M10	2							

Fig.32. COVER(3/3)

(A)=C80R-2

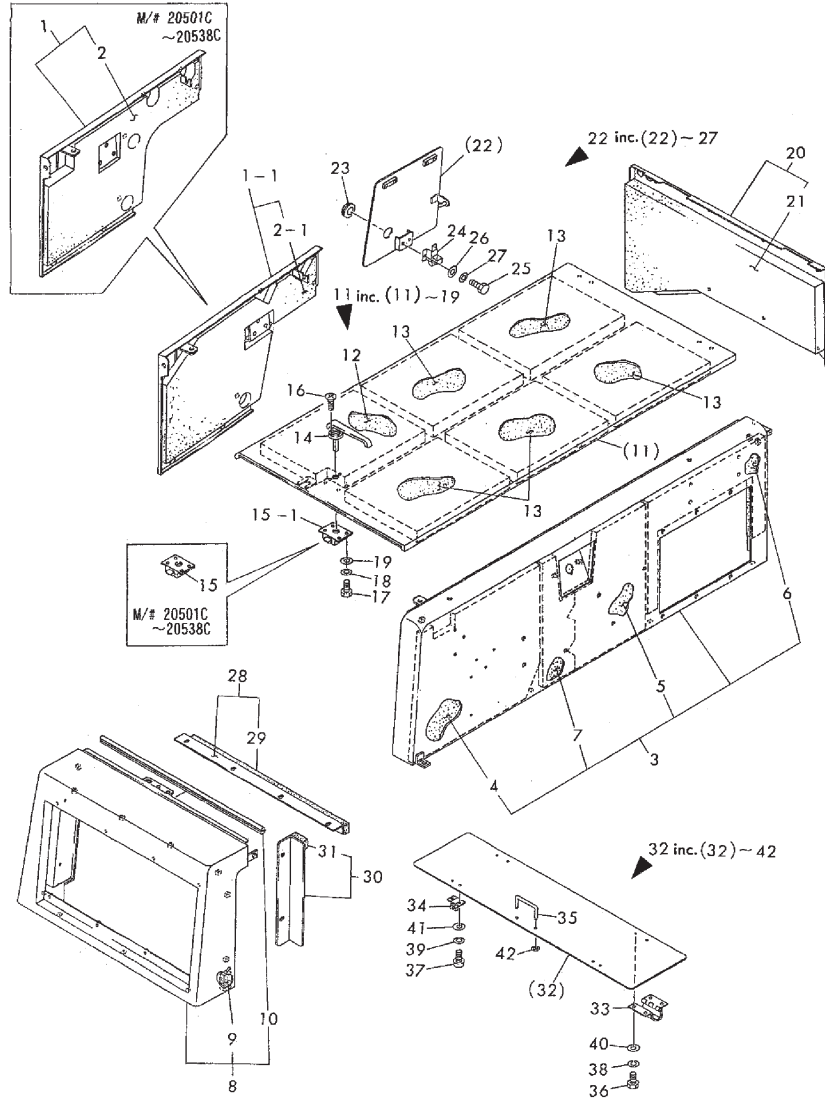
(B)=

(C)=

(D)=

(E)=

(F)=



REF.	LEV.	PARTS NO.	DESCRIPTION	Q'TY						I	R
				(A)	(B)	(C)	(D)	(E)	(F)		
1	1	E0870823500	SIDE COVER(R)ASSY.	1							
I	1-1	1 E0870823550	SIDE COVER(R)ASSY.	1							N
		(A=M/#20539C)									
2	2	E0870823502	SOUND DEADNER	1							
I	2-1	2 E0870823552	SOUND DEADNER	1							S
		(A=M/#20539C)									
3	1	E0870823200	SIDE COVER(L)ASSY.	1							
4	2	E0870823202	SOUND DEADNER	1							
5	2	E0870823205	SOUND DEADNER	1							
6	2	E0870823204	SOUND DEADNER	1							
7	2	E0870823206	SOUND DEADNER	1							
8	1	E0870823100	FRONT COVER ASSY.	1							
9	2	E0870823102	URETHANE	1							
10	2	E1654520068	SASH RUBBER	1							
11	1	E0870823300	BONNET ASSY.	1							
12	2	E0870823302	SOUND DEADNER	1							
13	2	E0870823303	SOUND DEADNER	5							
14	2	E1654000820	HANDLE	1							
15	2	E1653692880	DOOR LOCK	1							
I	15-1	2 E1653692887	DOOR LOCK	1							N
		(A=M/#20539C)									
16	2	E1120630514	SCREW M 5X 14	2							
17	2	E1100040514	BOLT M 5X 14	4							
18	2	E1140020005	SPRING WASHER 5	4							
19	2	E1141110005	WASHER 5	4							
20	1	E0870823600	REAR COVER ASSY.	1							
21	2	E0870823602	SOUND DEADNER	1							
22	1	E0870823650	AIR-CLEANER COVER	1							
23	2	E1652043030	GROMET	1							
24	2	E1653900016	LATCH	1							
25	2	E1100040512	BOLT M 5X 12	2							
26	2	E1141110005	WASHER 5	2							
27	2	E1140020005	SPRING WASHER 5	2							
28	1	E0870823770	PARTITION PLATE ASSY	1							
29	2	E0870823772	SPONGY	1							
30	1	E0870823790	PARTITION PLATE(L)AS	1							
31	2	E0870823792	SPONGY	1							
32	1	E0870823840	COVER ASSY.,BATTERY	1							
33	2	E0872822800	HINGE	2							
34	2	E1653900016	LATCH	2							
35	2	E0872823850	ROD	1							
36	2	E1100040612	BOLT M 6X12	4							
37	2	E1120530508	SCREW M 5X 8	4							
38	2	E1140020006	SPRING WASHER 6	4							
39	2	E1140020005	SPRING WASHER 5	4							
40	2	E1141110006	WASHER,PLAIN 6	4							
41	2	E1141110005	WASHER 5	4							
42	2	E1224010004	CLIP	2							

Fig.33. HANDRAIL (M/#20501C-20538C)

(A)=C80R-2

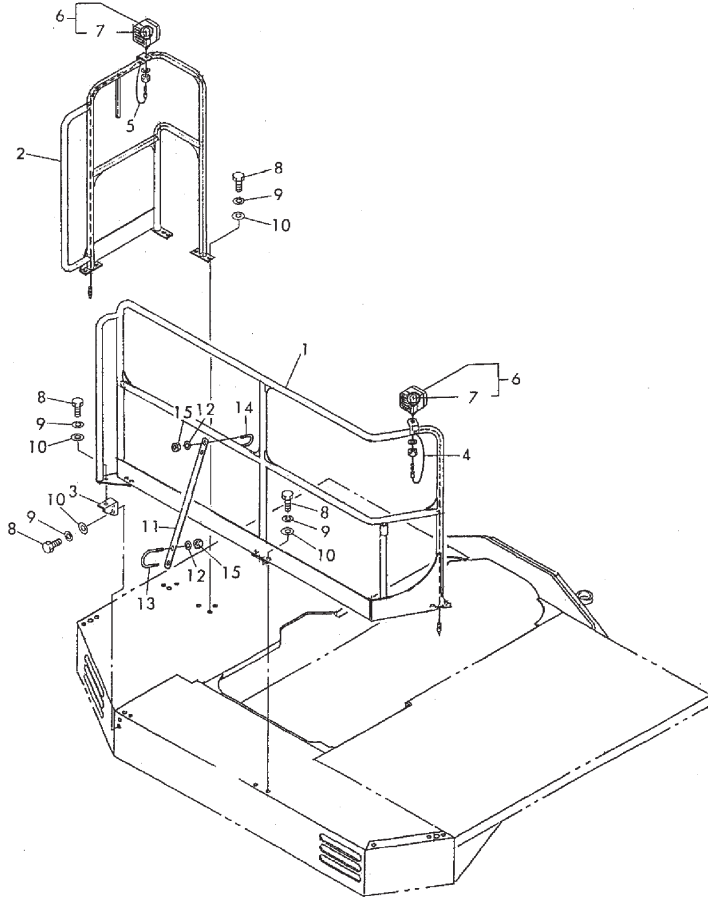
(B)=

(C)=

(D)=

(E)=

(F)=

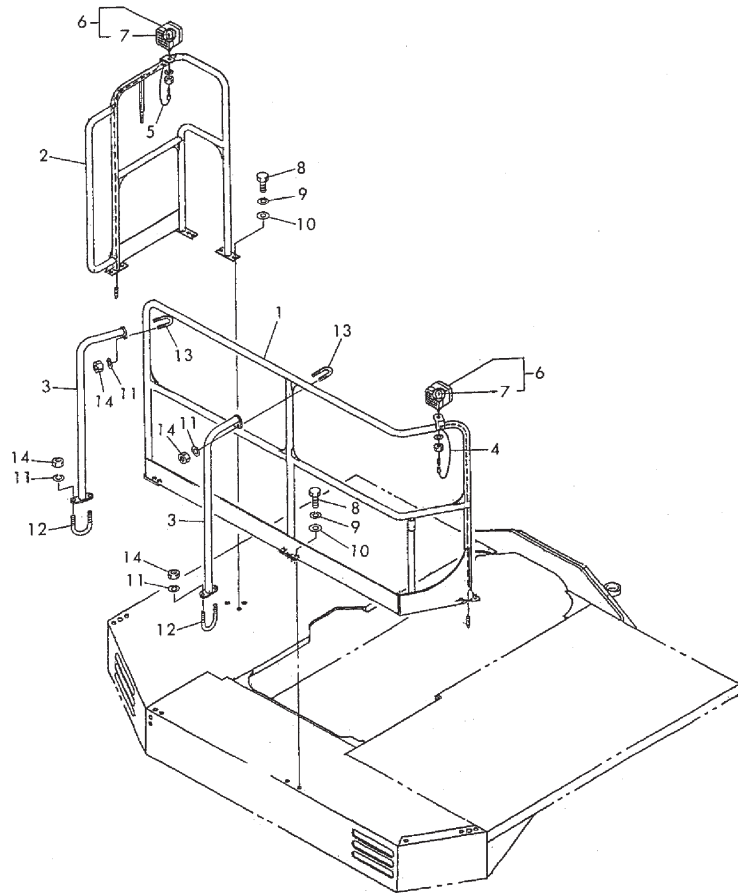


REF.	LEV.	PARTS NO.	DESCRIPTION	Q'TY						I	R
				(A)	(B)	(C)	(D)	(E)	(F)		
1	1	E0870850210	HAND RAIL(FRONT)	1							
2	1	E0870850230	HAND RAIL(SIDE)	1							
3	1	E0870850250	PLATE	1							
4	1	E0870850260	WIRE HARNESS	1							
5	1	E0870850270	WIRE HARNESS	1							
6	1	E1703004900	TURN SIGNAL LIGHT	2							
7	2	E1703004904	BLUB	2							
8	1	E1100241025	BOLT M10X 25	16							
9	1	E1140020010	SPRING WASHER 10	16							
10	1	E1141550010	WASHER M10	16							
11	1	E0870850280	PLATE	2							
12	1	E1140020008	SPRING WASHER 8	8							
13	1	E1533201014	U-BOLT	2							
14	1	E1533201006	U-BOLT	2							
15	1	E1130040008	NUT M 8	8							

Fig.34. HANDRAIL (M/#20539C-)

(A)=C80R-2
(B)=
(C)=

(D)=
(E)=
(F)=



REF.	LEV.	PARTS NO.	DESCRIPTION	Q'TY						I	R
				(A)	(B)	(C)	(D)	(E)	(F)		
1	1	E0870850310	HAND RAIL(FRONT)	1							
2	1	E0870850320	HAND RAIL(SIDE)	1							
3	1	E0870850330	HAND RAIL A	2							
4	1	E0870850260	WIRE HARNESS	1							
5	1	E0870850270	WIRE HARNESS	1							
6	1	E1703004900	TURN SIGNAL LIGHT	2							
7	2	E1703004904	BLUB	2							
8	1	E1100041025	BOLT M10X 25	13							
9	1	E1140020010	SPRING WASHER 10	13							
10	1	E1141550010	WASHER M10	13							
11	1	E1140020008	SPRING WASHER 8	8							
12	1	E1533201014	U-BOLT	2							
13	1	E1533201006	U-BOLT	2							
14	1	E1130040008	NUT M 8	8							

Fig.35. GUARD(OPTIONAL)

(A)=C80R-2
(B)=
(C)=

(D)=
(E)=
(F)=

REF.	LEV.	PARTS NO.	DESCRIPTION	Q'TY						I	R
				(A)	(B)	(C)	(D)	(E)	(F)		
1	1	E0870630510	GUARD	1							
2	1	E0870630520	PLATE	3							
3	1	E0870630530	PLATE	2							
4	1	E0870630540	PLATE	1							
5	1	E0870630020	PLATE	8							
6	1	E1100040820	BOLT M 8X 20	8							
7	1	E1100041025	BOLT M10X 25	48							
8	1	E1100041030	BOLT M10X30	16							
9	1	E1140020008	SPRING WASHER 8	8							
10	1	E1140020010	SPRING WASHER 10	60							
11	1	E1141110008	WASHER 8	8							
12	1	E1141110010	WASHER 10	60							
13	1	E1130040010	NUT M10	16							

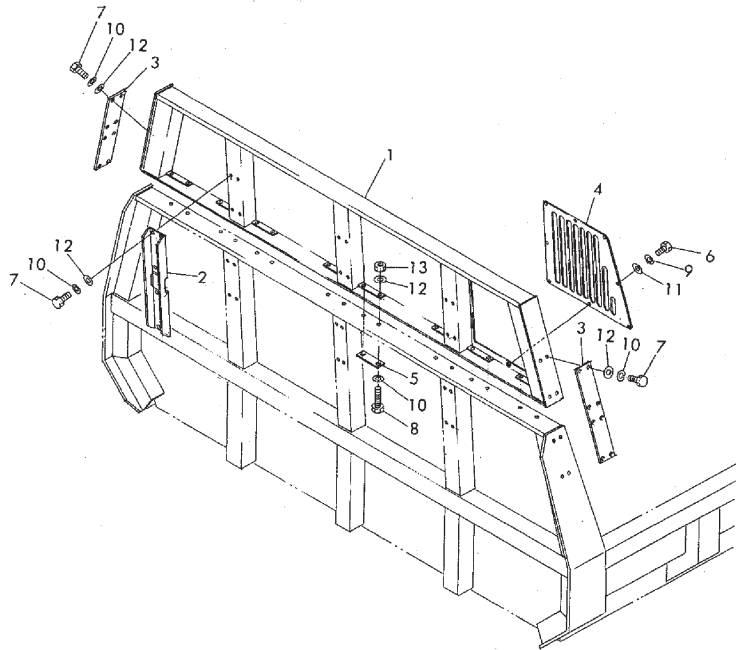


Fig.36. CABIN GUARD(OPTIONAL)

OCK30-G34000 36. CABIN GUARD(OPTIONAL)

(A)=C80R-2
(B)=
(C)=

(D)=
(E)=
(F)=

REF.	LEV.	PARTS NO.	DESCRIPTION	Q'TY						I	R
				(A)	(B)	(C)	(D)	(E)	(F)		
1	1	E0870630010	CAB.GUARD	1							
2	1	E0870630020	PLATE	4							
3	1	E1100041025	BOLT M10X 25	16							
4	1	E1130040010	NUT M10	8							
5	1	E1140020010	SPRING WASHER 10	16							
6	1	E1141110010	WASHER 10	16							
7	1	E1654005000	CLIP	14							

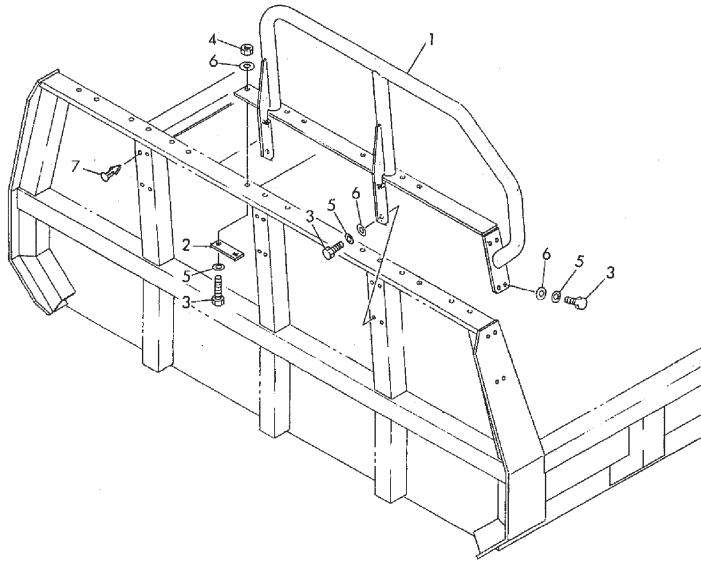
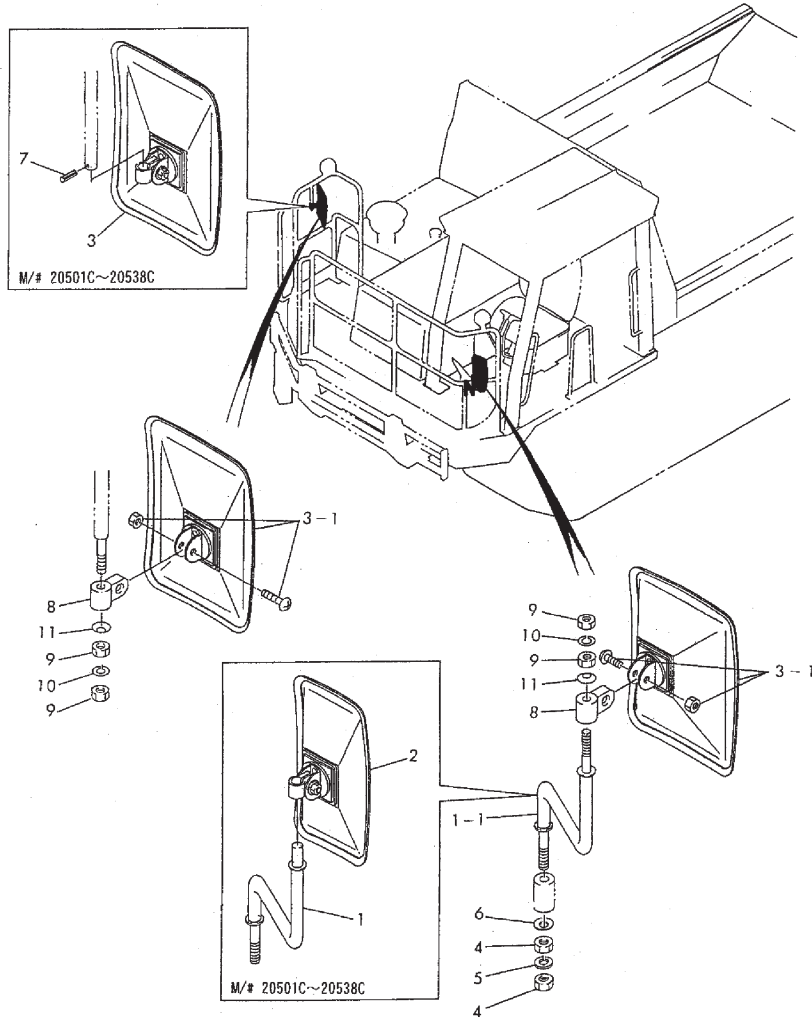


Fig.37. BACK MIRROR

(A)=C80R-2
(B)=
(C)=

(D)=
(E)=
(F)=



REF.	LEV.	PARTS NO.	DESCRIPTION	Q'TY						I	R
				(A)	(B)	(C)	(D)	(E)	(F)		
1	1	E0872870510	STAY,BACK MIRROR	1							
I	1-1	1 E0872870530 (A=M/#20539C)	STAY,BACK MIRROR	1							S
I	2	1 E1656500040 (A=M/#20538C)	BACK MIRROR	1							Z
	3	1 E1656500080	BACK MIRROR	1							
I	3-1	1 E1656500090 (A=M/#20539C)	BACK MIRROR	2							S
	4	1 E1130040014	NUT M14	2							
	5	1 E1140020014	SPRING WASHER 14	1							
	6	1 E1225110014	SPRING	1							
I	7	1 E1213010430 (A=M/#20538C)	SPRING PIN	1							Z
I	8	1 E0872870520 (A=M/#20539C)	HOLDER	2							W
I	9	1 E1130040012 (A=M/#20539C)	NUT M12	4							W
I	10	1 E1140040012 (A=M/#20539C)	SPRING WASHER 12	2							W
I	11	1 E1225110012 (A=M/#20539C)	SPRING 12,DISH	2							W

Fig.38. FLOOR MAT

(A)=C80R-2
(B)=
(C)=

(D)=
(E)=
(F)=

REF.	LEV.	PARTS NO.	DESCRIPTION	Q'TY						I	R
				(A)	(B)	(C)	(D)	(E)	(F)		
1	1	E0870350010	FLOOR MAT A	1							
2	1	E0870350020	FLOOR MAT B	1							
3	1	E1652533002	CAP, FOR HEATER	2							

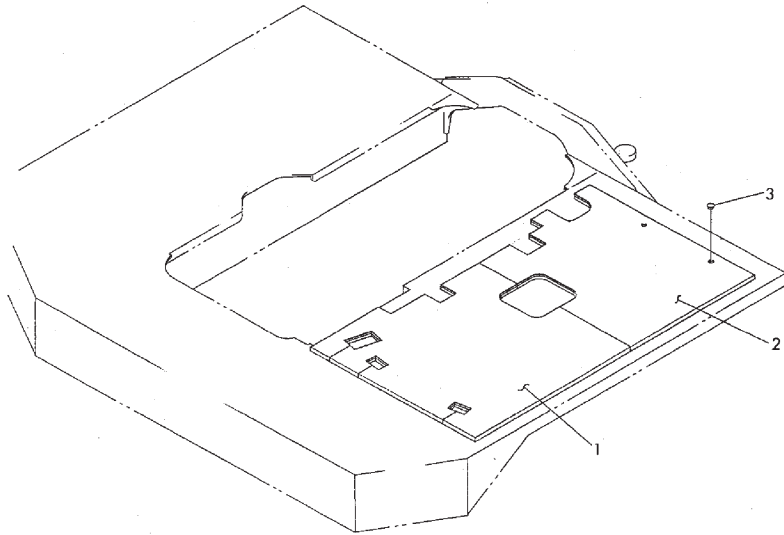
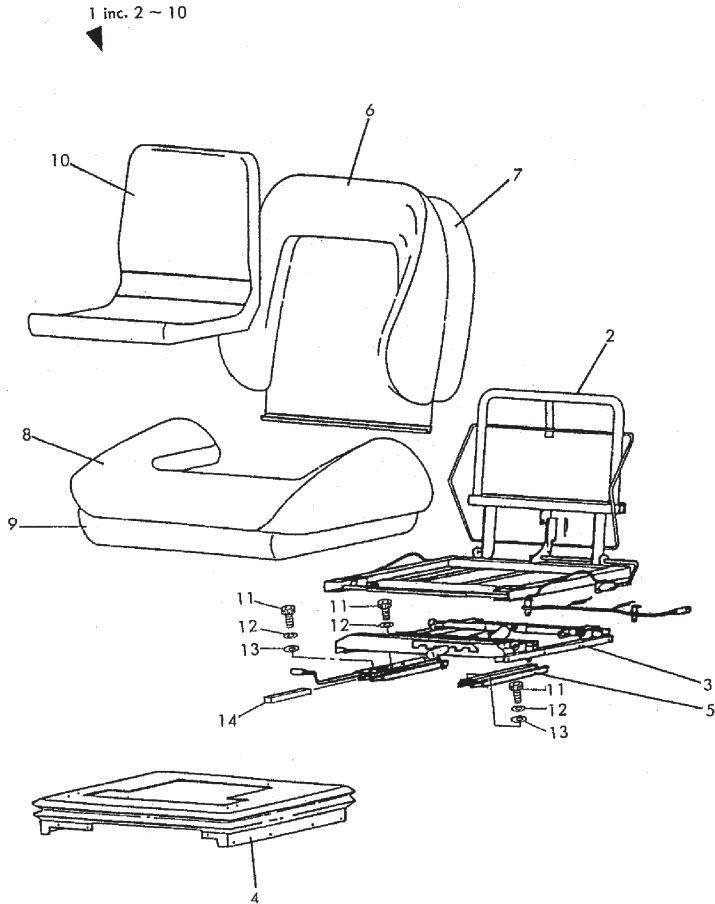


Fig.39. OPERATOR SEAT

(A)=C80R-2
(B)=
(C)=

(D)=
(E)=
(F)=



REF.	LEV.	PARTS NO.	DESCRIPTION	Q'TY						I	R
				(A)	(B)	(C)	(D)	(E)	(F)		
1	1	E1914100060	OPERATOR SEAT ASSY.	1							
2	2	E1914102060	FRAME KIT	1							
3	2	E1914103060	SUSPENSION KIT	1							
4	2	E1914105060	COVER KIT,SUSPENSION	1							
5	2	E1914106060	ADJUSTER KIT	1							
6	2	E1914107060	BACK COVER KIT	1							
7	2	E1914108060	BACK FOAM KIT	1							
8	2	E1914109060	SEAT COVER KIT	1							
9	2	E1914110060	SEAT FOAM KIT	1							
10	2	E1914111060	INSERT KIT	1							
11	1	E1110040816	BOLT M 8X 16	6							
12	1	E1140020008	SPRING WASHER 8	6							
13	1	E1141110008	WASHER 8	4							
14	1	E0872341508	BOLT M 8X 20	1							

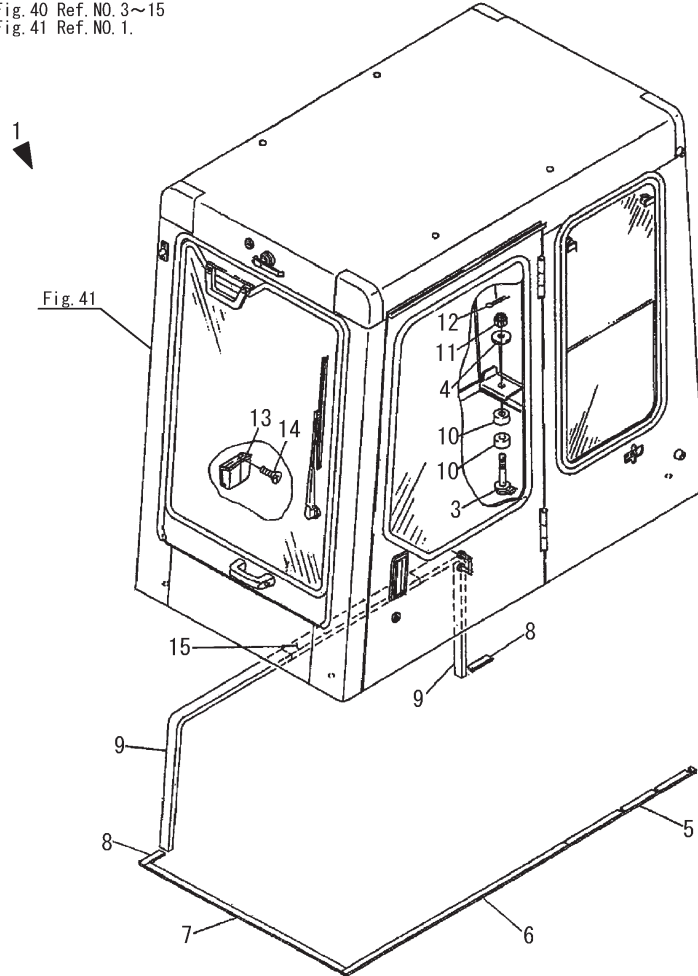
Fig.40. CABIN(1):OPTIONAL

(A)=C80R-2
(B)=
(C)=

(D)=
(E)=
(F)=

キャビンASSY
CABIN ASSY
E0870861000
項目NO. 40の見出しNO. 1は
項目NO. 40の見出しNO. 3~15と
項目NO. 41の見出しNO. 1を含みます。

Fig. 40 Ref. NO. 1
inc. Fig. 40 Ref. NO. 3~15
Fig. 41 Ref. NO. 1.



REF.	LEV.	PARTS NO.	DESCRIPTION	Q'TY						I	R
				(A)	(B)	(C)	(D)	(E)	(F)		
1	1	E0870861000	CABIN ASSY.	1							
3	2	E0872862600	BOLT A	4							
4	2	E0003000010	SPACER	4							
5	2	E0870861700	SPONGE RUBBER	1							
6	2	E1654305100	SPONGY	1							
7	2	E1654305090	SPONGY	1							
8	2	E1654305009	SPONGY RUBBER	2							
9	2	E1654308100	SPONGY RUBBER	2							
10	2	E1651005030	RUBBER, CUSHION	8							
11	2	E1132030016	CASTLE NUT M16	4							
12	2	E1210000430	COTTER PIN 4 X 30	4							
13	2	E1653691970	ASH TRAY	1							
14	2	E1120630412	SCREW M 4X12	3							
15	2	E1654308090	SPONGY	1							

Fig.41. CABIN(2):OPTIONAL

(A)=C80R-2

(B)=

(C)=

(D)=

(E)=

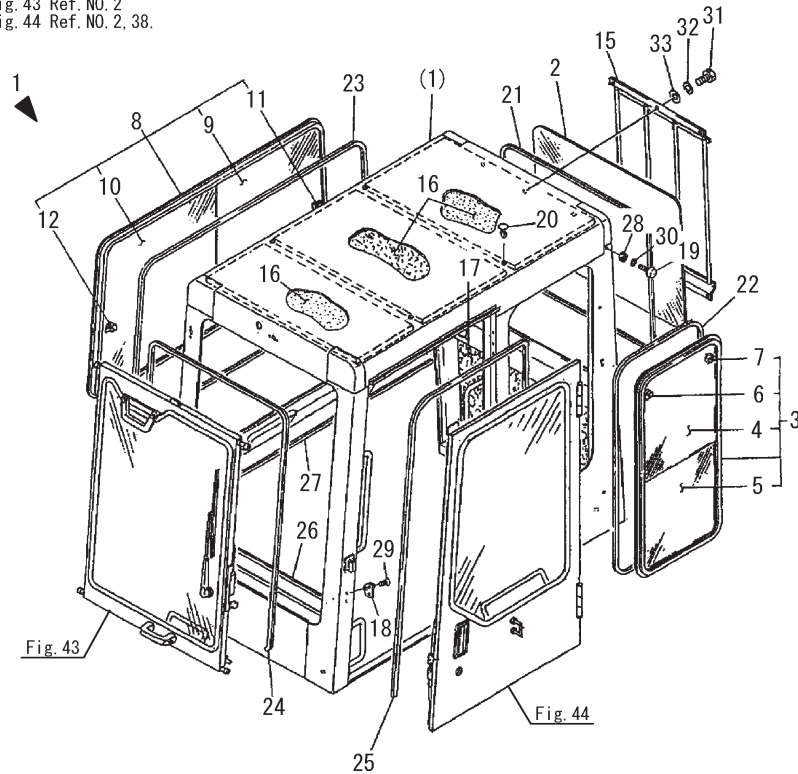
(F)=

キャビンASSY
CABIN ASSY
E0870861000
項目NO. 40の見出しNO. 1は
項目NO. 40の見出しNO. 3~15と
項目NO. 41の見出しNO. 1を含みます。

Fig. 40 Ref. NO. 1
inc. Fig. 40 Ref. NO. 3~15
Fig. 41 Ref. NO. 1.

キャビンCMP
CABIN CMP
E0870861100
項目NO. 41の見出しNO. 1は
項目NO. 41の見出しNO. (1)~33と
項目NO. 42の見出しNO. 2~56と
項目NO. 43の見出しNO. 2と
項目NO. 44の見出しNO. 2と38を含みます。

Fig. 41 Ref. NO. 1
inc. Fig. 41 Ref. NO. (1)~33
Fig. 42 Ref. NO. 2~56
Fig. 43 Ref. NO. 2
Fig. 44 Ref. NO. 2, 38.



REF.	LEV.	PARTS NO.	DESCRIPTION	Q'TY						I	R
				(A)	(B)	(C)	(D)	(E)	(F)		
1	2	E0870861100	CABIN COMP.	1							
2	3	E0872862102	GLASS(REAR)	1							
3	3	E0870861300	SIDE SASH ASSY.(LH)	1							
4	4	E0870861302	GLASS(UPPER)	1							
5	4	E0870861303	GLASS(LOWER)	1							
6	4	E1654007000	LOCK A	1							
7	4	E1654007200	LOCK B	1							
8	3	E0870861400	SIDE SASH ASSY.(RH)	1							
9	4	E0870861402	GLASS	1							
10	4	E0870861403	GLASS	1							
11	4	E1654007500	LOCK A	1							
12	4	E1654007600	LOCK B	1							
15	3	E0872862180	GUARD	1							
16	3	E0870861109	INTERIOR MATERIAL	3							
17	3	E0870861110	INTERIOR MATERIAL	1							
18	3	E0872861860	STRIKER	1							
19	3	E1651101042	STOPPER	2							
20	3	E1654005000	CLIP	4							
21	3	E1654262295	H-RUBBER	1							
22	3	E1654262270	H-RUBBER	1							
23	3	E1654262387	H-RUBBER	1							
24	3	E1654520303	SEAL	1							
25	3	E1654605338	SEAL	1							
26	3	E1654520086	SEAL	1							
27	3	E1654520245	SEAL	1							
28	3	E1130040010	NUT M10	2							
29	3	E1120630816	SCREW M 8X16	2							
30	3	E1140020010	SPRING WASHER 10	2							
31	3	E1100240816	BOLT M 8X 16	6							
32	3	E1140020008	SPRING WASHER 8	6							
33	3	E1141110008	WASHER 8	6							

Fig.42. CABIN(3):OPTIONAL

キャビンASSY
CABIN ASSY
E0870861000

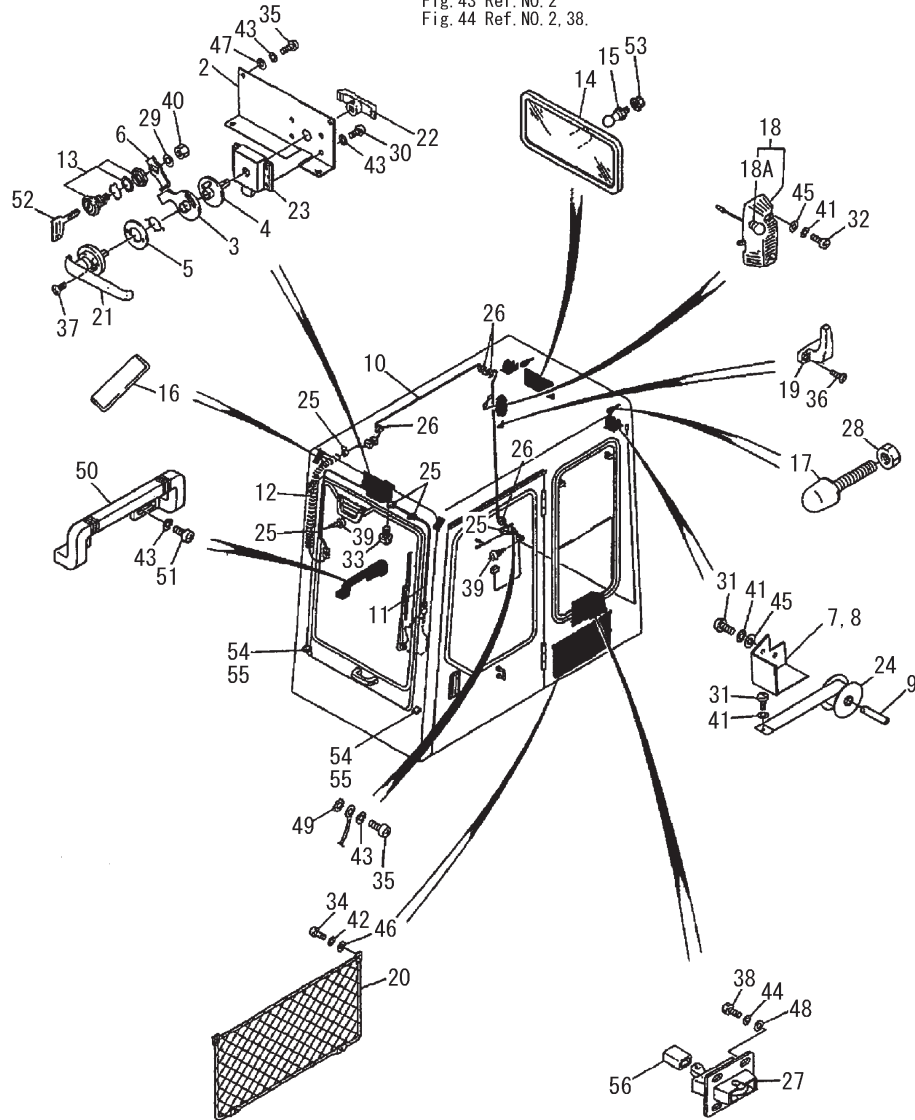
項目NO. 40の見出しNO. 1は
項目NO. 40の見出しNO. 3~15と
項目NO. 41の見出しNO. 1を含みます。

Fig. 40 Ref. NO. 1
inc. Fig. 40 Ref. NO. 3~15
Fig. 41 Ref. NO. 1.

キャビンCMP
CABIN CMP
E0870861100

項目NO. 41の見出しNO. 1は
項目NO. 41の見出しNO. (1)~33と
項目NO. 42の見出しNO. 2~56と
項目NO. 43の見出しNO. 2と
項目NO. 44の見出しNO. 2と38を含みます。

Fig. 41 Ref. NO. 1
inc. Fig. 41 Ref. NO. (1)~33
Fig. 42 Ref. NO. 2~56
Fig. 43 Ref. NO. 2
Fig. 44 Ref. NO. 2, 38.



(A)=C80R-2
(B)=
(C)=

(D)=
(E)=
(F)=

REF.	LEV.	PARTS NO.	DESCRIPTION	Q'TY						I	R
				(A)	(B)	(C)	(D)	(E)	(F)		
2	3	E0872861115	COVER	1							
3	3	E0872862111	PLATE	1							
4	3	E0872862170	PLATE	1							
5	3	E0872862175	SEAL	1							
6	3	E0872862112	PLATE	1							
7	3	E0872862140	COVER(L)	1							
8	3	E0872862145	COVER(R)	1							
9	3	E0872861124	PIN	2							
10	3	E0870861125	WIRE HARNESS	1							
11	3	E0872861126	WIRE HARNESS	1							
12	3	E0871885200	WIRE HARNESS	1							
13	3	E0871861650	CYLINDER LOCK	1							
14	3	E1654005400	ROOM MIRROR	1							
15	3	E1654006000	PIVOT	1							
16	3	E0568614300	SPACER	2							
17	3	E1651101225	STOPPER	2							
18	3	E1703001750	ROOM LAMP	1							
18A	4	E1703001751	BULB	1							
19	3	E1654004800	HANGER	1							
20	3	E1653691350	POCKET ASSY.	1							
21	3	E1654000810	OUTER HANDLE	1							
22	3	E1653110330	HANDLE,INNER	1							
23	3	E1653692890	LATCH,SQUARE	1							
24	3	E1654004701	CONSTON	2							
25	3	E1652221050	CLAMP	10							
26	3	E1652002202	GROMMET	3							
27	3	E1654009400	LOCK	1							
28	3	E1130040012	NUT M12	2							
29	3	E1140020010	SPRING WASHER 10	1							
30	3	E1120530616	SCREW	4							
31	3	E1120530408	SCREW M 4X 8	6							
32	3	E1120530412	SCREW(+)M 4X12	2							
33	3	E1120530512	SCREW (+) M 5X12	6							
34	3	E1120530516	SCREW (+) M 5X16	4							
35	3	E1120530612	SCREW(+)M 6X16	5							
36	3	E1120630412	SCREW M 4X12	2							
37	3	E1120630512	SCREW (+) M 5X12	2							
38	3	E1100240816	BOLT M 8X 16	4							
39	3	E1122530512	SCREW M 5X 12	4							
40	3	E1130040010	NUT M10	1							
41	3	E1140020004	WASHER,SPRING M 4	6							
42	3	E1140020005	SPRING WASHER 5	4							
43	3	E1140020006	SPRING WASHER 6	13							
44	3	E1140020008	SPRING WASHER 8	4							
45	3	E1141110004	WASHER,PLAIN 4	6							
46	3	E1141110005	WASHER 5	4							
47	3	E1141110006	WASHER,PLAIN 6	4							
48	3	E1141110008	WASHER 8	4							
49	3	E1140330006	WASHER(TOOTHED)	1							
50	3	E1653182720	GRIP	1							
51	3	E1120530620	SCREW(+) M 6X 20	4							

Fig.42. CABIN(3):OPTIONAL

キャビンASSY
CABIN ASSY
E0870861000

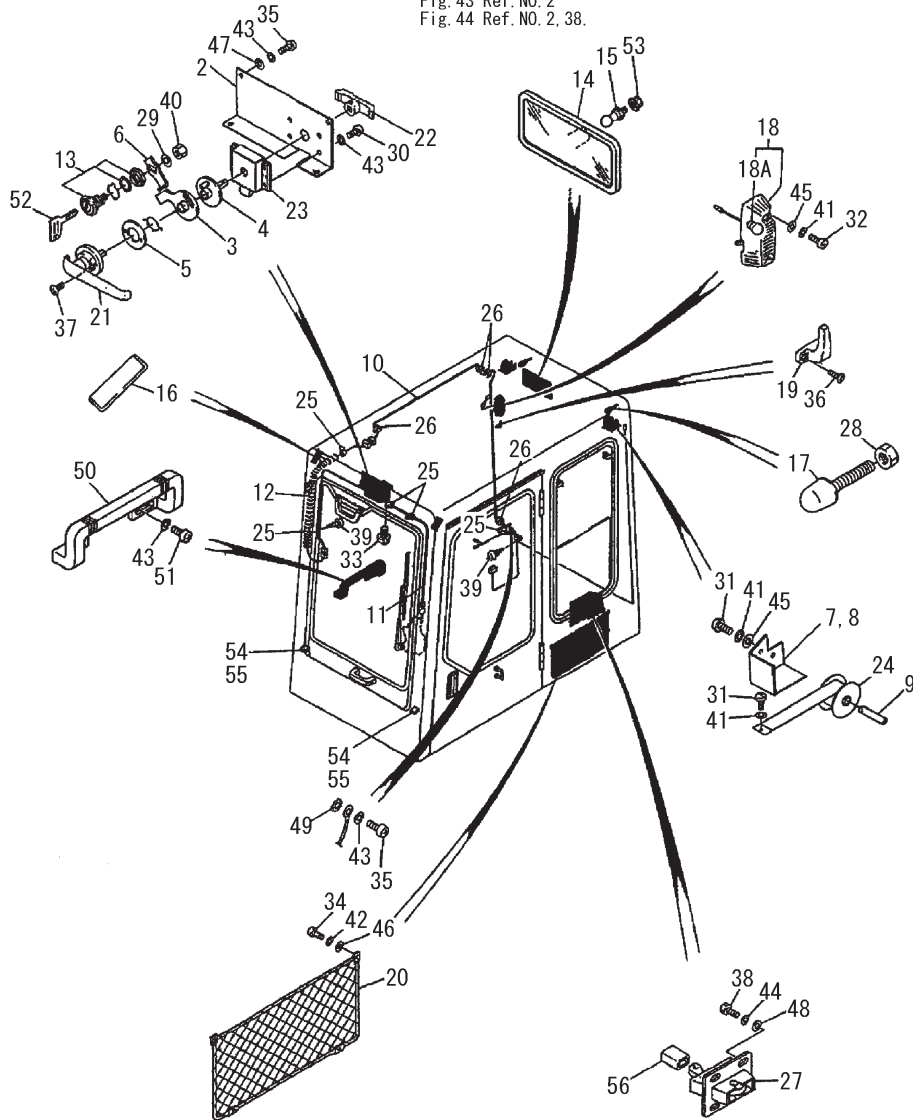
項目NO. 40の見出しNO. 1は
項目NO. 40の見出しNO. 3~15と
項目NO. 41の見出しNO. 1を含みます。

Fig. 40 Ref. NO. 1
inc. Fig. 40 Ref. NO. 3~15
Fig. 41 Ref. NO. 1.

キャビンCMP
CABIN CMP
E0870861100

項目NO. 41の見出しNO. 1は
項目NO. 41の見出しNO. (1)~33と
項目NO. 42の見出しNO. 2~56と
項目NO. 43の見出しNO. 2と
項目NO. 44の見出しNO. 2と38を含みます。

Fig. 41 Ref. NO. 1
inc. Fig. 41 Ref. NO. (1)~33
Fig. 42 Ref. NO. 2~56
Fig. 43 Ref. NO. 2
Fig. 44 Ref. NO. 2, 38.



(A)=C80R-2
(B)=
(C)=

(D)=
(E)=
(F)=

REF.	LEV.	PARTS NO.	DESCRIPTION	Q'TY						I	R
				(A)	(B)	(C)	(D)	(E)	(F)		
52	3	933110-00300	PACKING	1							
53	3	E1131242008	FLANGE NUT M 8	1							
I 54	3	E1654301003	URETHANE SPONGY	2							Z
I 55	3	E0872862185 (A=*)	STOPPER	2							W
56	3	E0398612500	COVER	1							

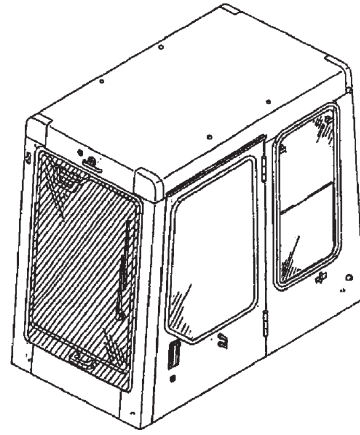
Fig.43. CABIN(4):FRONT SASH(OPTIONAL)

キャビンASSY
CABIN ASSY
E0870861000
項目NO.40の見出しNO.1は
項目NO.40の見出しNO.3~15と
項目NO.41の見出しNO.1を含みます。

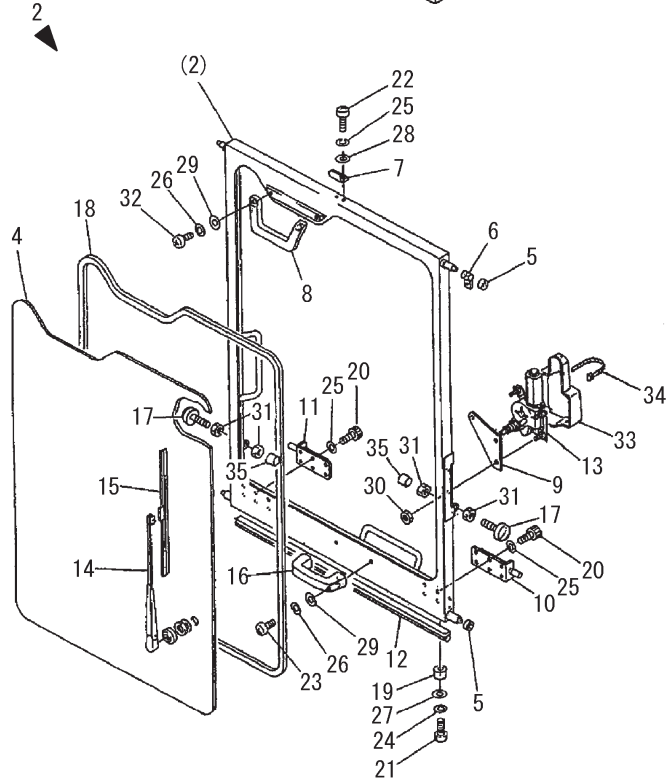
Fig.40 Ref. NO.1
inc. Fig.40 Ref. NO.3~15
Fig.41 Ref. NO.1.

キャビンCMP
CABIN CMP
E0870861100
項目NO.41の見出しNO.1は
項目NO.41の見出しNO.(1)~33と
項目NO.42の見出しNO.2~56と
項目NO.43の見出しNO.2と
項目NO.44の見出しNO.2と38を含みます。

Fig.41 Ref. NO.1
inc. Fig.41 Ref. NO.(1)~33
Fig.42 Ref. NO.2~56
Fig.43 Ref. NO.2
Fig.44 Ref. NO.2,38.



2 inc. (2)~35.



(A)=C80R-2
(B)=
(C)=

(D)=
(E)=
(F)=

REF.	LEV.	PARTS NO.	DESCRIPTION	Q'TY						I	R
				(A)	(B)	(C)	(D)	(E)	(F)		
2	3	E0870861600	FRONT SASH ASSY.	1							
4	4	E0870861602	GLASS	1							
5	4	E0872861503	ROLLER	4							
6	4	E0872862440	COLLAR	2							
7	4	E0872861505	PLATE	1							
8	4	E0872862406	GRIP	1							
9	4	E0872861507	WIPER BRACKET	1							
10	4	E1654005350	LATCH(L)	1							
11	4	E1654005300	LATCH(R)	1							
12	4	E1654618076	SEAL	1							
13	4	E1704008324	WIPER MOTOR	1							
14	4	E1704140400	WIPER ARM	1							
15	4	E1704206450	BLADE, WIPER	1							
16	4	E1654040100	GRIP	1							
17	4	E1651101042	STOPPER	2							
18	4	E1654262342	RUBBER	1							
19	4	E1652101811	RUBBER FOOT	2							
20	4	E1110040516	CAP BOLT M 5X 16	12							
21	4	E1120530310	SCREW(+) M 3X 10	2							
22	4	E1100040516	BOLT M 5X 16	2							
23	4	E1120530614	SCREW(+)M 6X 14	2							
24	4	E1140020003	WASHER,SPRING M 3	2							
25	4	E1140020005	SPRING WASHER 5	12							
26	4	E1140020006	SPRING WASHER 6	4							
27	4	E1141110003	WASHER,PLAIN 3	2							
28	4	E1141110005	WASHER 5	2							
29	4	E1141110006	WASHER,PLAIN 6	4							
30	4	E1130040006	NUT M 6	3							
31	4	E1130140010	NUT M10	4							
32	4	E1120530620	SCREW(+) M 6X 20	2							
33	4	E1704400001	COVER	1							
34	4	E1652201005	TIE-LAP	1							
35	4	E0398612500	COVER	2							

Fig.44. CABIN(5):DOOR(OPTIONAL)

(A)=C80R-2

(B)=

(C)=

(D)=

(E)=

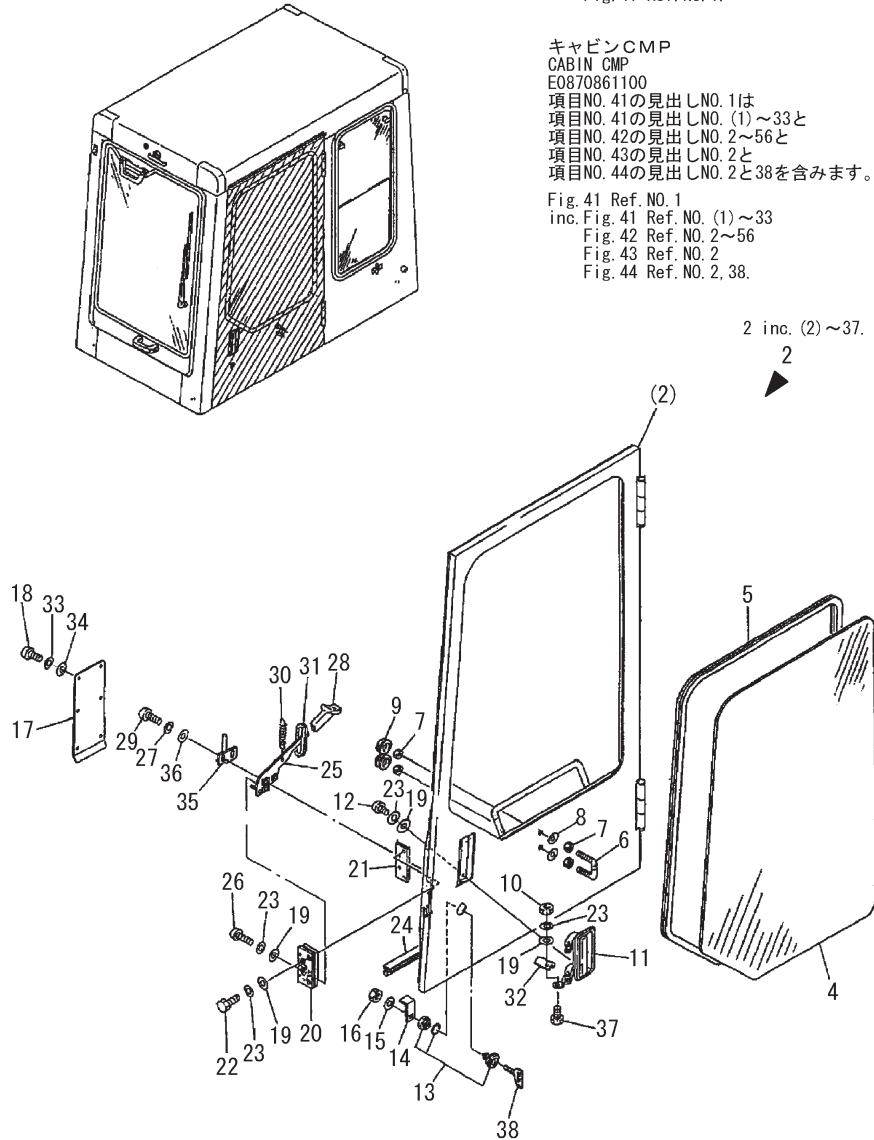
(F)=

キャビンASSY
CABIN ASSY
E0870861000
項目NO. 40の見出しNO. 1は
項目NO. 40の見出しNO. 3~15と
項目NO. 41の見出しNO. 1を含みます。

Fig. 40 Ref. NO. 1
inc. Fig. 40 Ref. NO. 3~15
Fig. 41 Ref. NO. 1.

キャビンCMP
CABIN CMP
E0870861100
項目NO. 41の見出しNO. 1は
項目NO. 41の見出しNO. (1)~33と
項目NO. 42の見出しNO. 2~56と
項目NO. 43の見出しNO. 2と
項目NO. 44の見出しNO. 2と38を含みます。

Fig. 41 Ref. NO. 1
inc. Fig. 41 Ref. NO. (1)~33
Fig. 42 Ref. NO. 2~56
Fig. 43 Ref. NO. 2
Fig. 44 Ref. NO. 2, 38.



REF.	LEV.	PARTS NO.	DESCRIPTION	Q'TY						I	R
				(A)	(B)	(C)	(D)	(E)	(F)		
2	3	E0870861500	DOOR ASSY.	1							
4	4	E0870861502	GLASS,DOOR	1							
5	4	E1654262310	H-RUBBER	1							
6	4	E1654005900	STRIKER	1							
7	4	E1130090010	NUT M10	4							
8	4	E1141120010	WASHER	2							
9	4	E1652003200	CAP	2							
10	4	E1130040006	NUT M 6	1							
11	4	E1654005600	OUTER HANDLE	1							
12	4	E1120540610	SCREW	2							
13	4	E0871861650	CYLINDER LOCK	1							
14	4	E0872861120	PLATE	1							
15	4	E1140020010	SPRING WASHER 10	1							
16	4	E1130040010	NUT M10	1							
17	4	E0872861325	COVER	1							
18	4	E1120540408	SCREW M 4X 8	6							
19	4	E1141120006	WASHER M 6	8							
20	4	E1654009300	LOCK LH	1							
21	4	E0872861330	NUT PLATE	1							
22	4	E1100040635	BOLT M 6X 35	4							
23	4	E1140020006	SPRING WASHER 6	8							
24	4	E1654605081	SEAL	1							
25	4	E0872861335	LEVER	1							
26	4	E1120540616	SCREW M 6X 16	2							
27	4	E1140020005	SPRING WASHER 5	2							
28	4	E1654008800	KNOB	1							
29	4	E1120540514	SCREW	2							
30	4	E0007000083	SPRING	1							
31	4	E1652601601	BUSHING	1							
32	4	E0872861345	PLATE	1							
33	4	E1140020004	WASHER,SPRING M 4	6							
34	4	E1141120004	WASHER 4	6							
35	4	E0872861355	BRACKET	1							
36	4	E1141120005	WASHER	2							
37	4	E1100040616	BOLT M 6X 16	1							
38	3	933110-00300	PACKING	1							

Fig.45. CANOPY

(A)=C80R-2

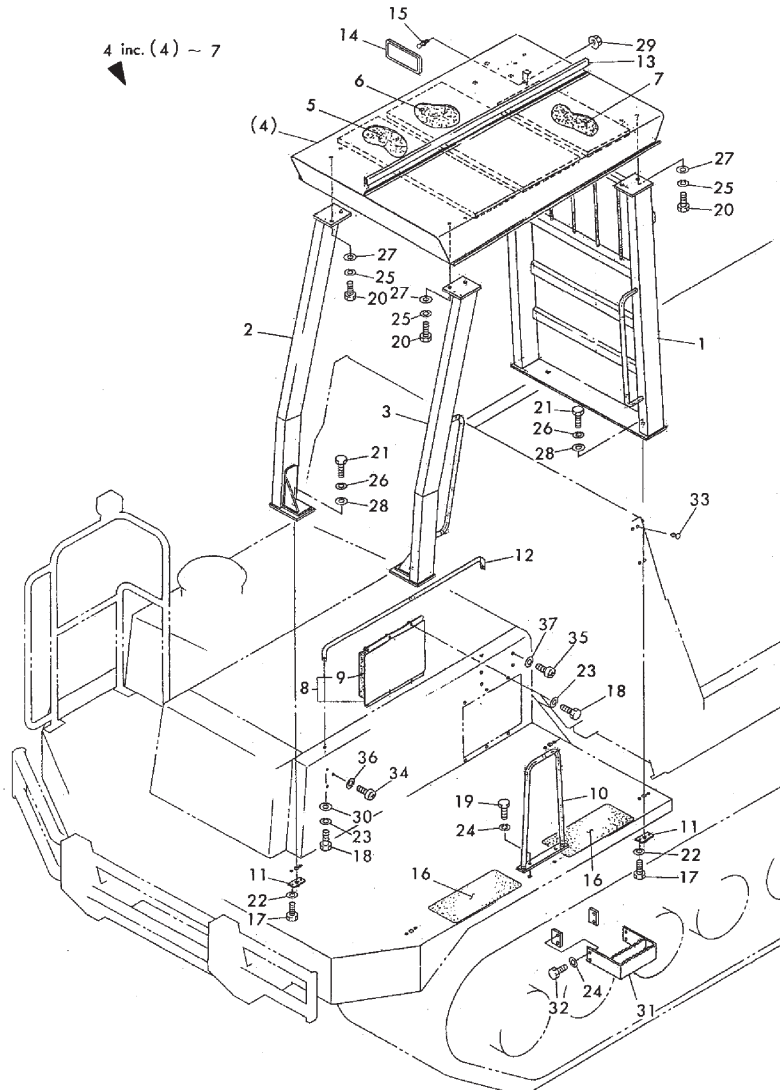
(B)=

(C)=

(D)=

(E)=

(F)=



REF.	LEV.	PARTS NO.	DESCRIPTION	Q'TY						I	R
				(A)	(B)	(C)	(D)	(E)	(F)		
1	1	E0870841100	REAR POLE	1							
2	1	E0870841150	FRONT POLE(R)	1							
3	1	E0870841200	FRONT POLE(L)	1							
4	1	E0870841250	ROOF ASSY.	1							
5	2	E0870841252	SOUND DEADNER	1							
6	2	E0870841253	SOUND DEADNER	1							
7	2	E0870841254	SOUND DEADNER	1							
8	1	E0870841300	COVER ASSY.	1							
9	2	E0870841302	SOUND DEADNER	1							
10	1	E0870840300	HAND RAIL	1							
11	1	E0870840450	NUT PLATE	4							
12	1	E0870841350	HOLD BAR	1							
13	1	E1653901140	MOUL	1							
14	1	E1654005400	ROOM MIRROR	1							
15	1	E1654006000	PIVOT	1							
16	1	E0870821517	NON-SLIP SHEET B	2							
17	1	E1100040612	BOLT M 6X12	8							
18	1	E1100040816	BOLT M 8X 16	8							
19	1	E1100041030	BOLT M10X30	2							
20	1	E1100041235	BOLT M12X 35	8							
21	1	E1100041650	BOLT M16X 50	4							
22	1	E1140020006	SPRING WASHER 6	8							
23	1	E1140020008	SPRING WASHER 8	8							
24	1	E1140020010	SPRING WASHER 10	6							
25	1	E1140020012	SPRING WASHER 12	8							
26	1	E1140020016	SPRING WASHER M16	4							
27	1	E1141110012	WASHER 12	8							
28	1	E1141110016	WASHER,PLAIN M16	4							
I 28-1	1	E0003000010	SPACER	4							N
(A="FROM 1ST)											
29	1	E1131242008	FLANGE NUT M 8	1							
30	1	E1141110008	WASHER 8	2							
31	1	E0870840400	STEP	1							
32	1	E1100041020	BOLT M10X 20	4							
33	1	E1654005000	CLIP	20							
34	1	E1120590510	SCREW M 5X 10	3							
I 34-1	1	E1120590512	SCREW(+) M 5X 12	3							R
(A="FROM 1ST)											
35	1	E1120590610	SCREW(+)M 6X 10	4							
I 35-1	1	E1120590612	SCREW(+)M 6X 10	4							R
(A="FROM 1ST)											
36	1	E1140090005	WASHER,SPRING M 5	3							
37	1	E1140090006	SPRING WASHER 6	4							

Fig.46. HEATER(OPTIONAL)

(A)=C80R-2

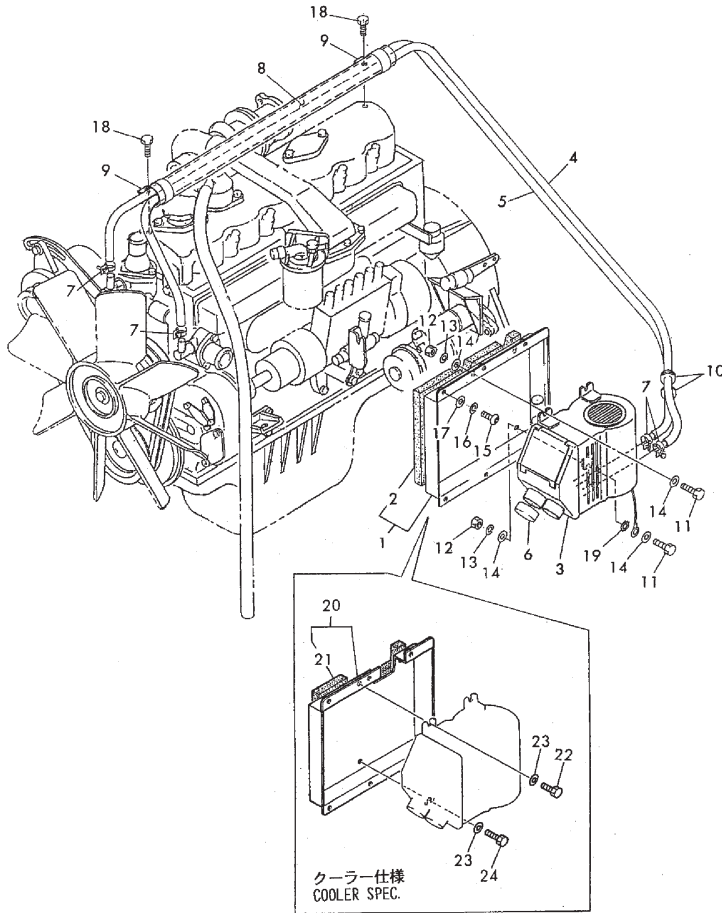
(B)=

(C)=

(D)=

(E)=

(F)=



REF.	LEV.	PARTS NO.	DESCRIPTION	Q'TY						I	R
				(A)	(B)	(C)	(D)	(E)	(F)		
1	1	E0870451100	BOX ASSY.	1							
2	2	E0870451102	SOUND DEADNER	1							
3	1	E1911507651	HEATER	1							
4	1	E1911511860	HOSE 1600L,HEATER	1							
5	1	E1911511880	HOSE, HEATER	1							
6	1	E1911503000	COVER	1							
7	1	E1911500500	CLAMP	4							
8	1	E1531354075	PROTECT.RUBBER HOSE	1							
9	1	E0007300044	CLAMP	2							
10	1	E1652053001	GROMMET	2							
11	1	E1100241020	BOLT M10X 20	4							
12	1	E1130040010	NUT M10	4							
13	1	E1140020010	SPRING WASHER 10	4							
14	1	E1141110010	WASHER 10	8							
15	1	E1120940820	SOCKET SCREW M 8X 20	6							
16	1	E1140020008	SPRING WASHER 8	6							
17	1	E1141110008	WASHER 8	6							
18	1	E1100240816	BOLT M 8X 16	2							
19	1	E1140330010	TOOTHED WASHER 10	1							
20	1	E0870451600	BOX ASSY.	1							1
21	2	E0870451620	SOUND ABSORBER	1							1
22	1	E1100241020	BOLT M10X 20	2							1
23	1	E1141110010	WASHER 10	3							1
24	1	E1100241030	BOLT M10X 30	1							1

Remarks
(1)SPECIFICATION OF COOLER

Fig.47. DEFROSTER(OPTIONAL)

OCK30-G34000 47. DEFROSTER(OPTIONAL)

(A)=C80R-2
(B)=
(C)=

(D)=
(E)=
(F)=

REF.	LEV.	PARTS NO.	DESCRIPTION	Q'TY						I	R
				(A)	(B)	(C)	(D)	(E)	(F)		
1	1	E0872453510	DEFROSTER	1							
2	1	E1911504000	LOUVER	1							
3	1	E1567405020	HOSE,DEFROSTER	1							
4	1	E1533011070	WIRE CLAMP	2							
5	1	E1652261410	TIGHT,CABLE	1							
6	1	E1120590512	SCREW(+) M 5X 12	3							
7	1	E1140090005	WASHER,SPRING M 5	3							
8	1	E1122400512	TAPPING SCREW M 5X12	1							

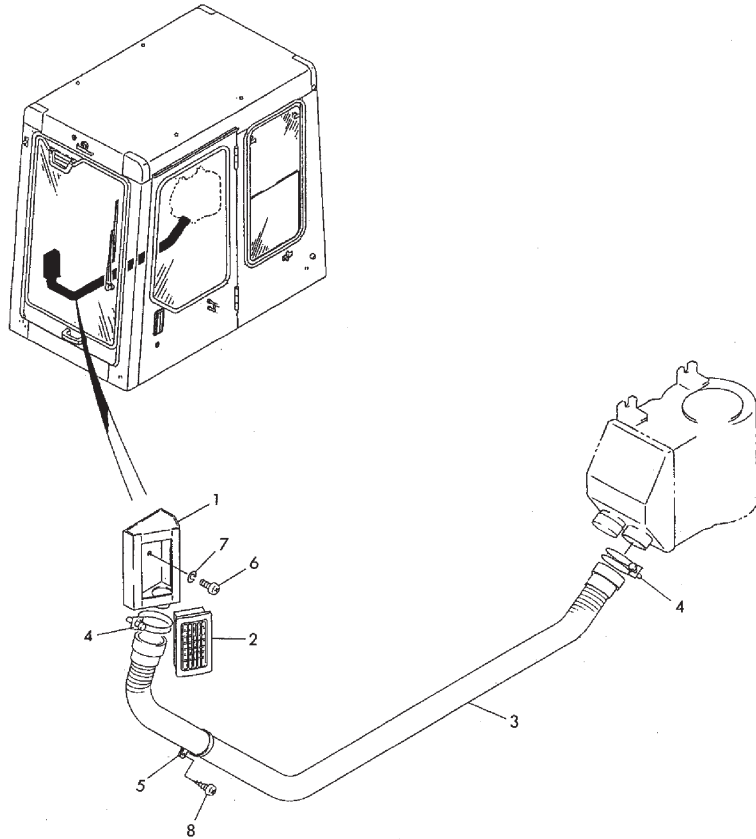


Fig.48. COOLER(1):OPTIONAL

(A)=C80R-2

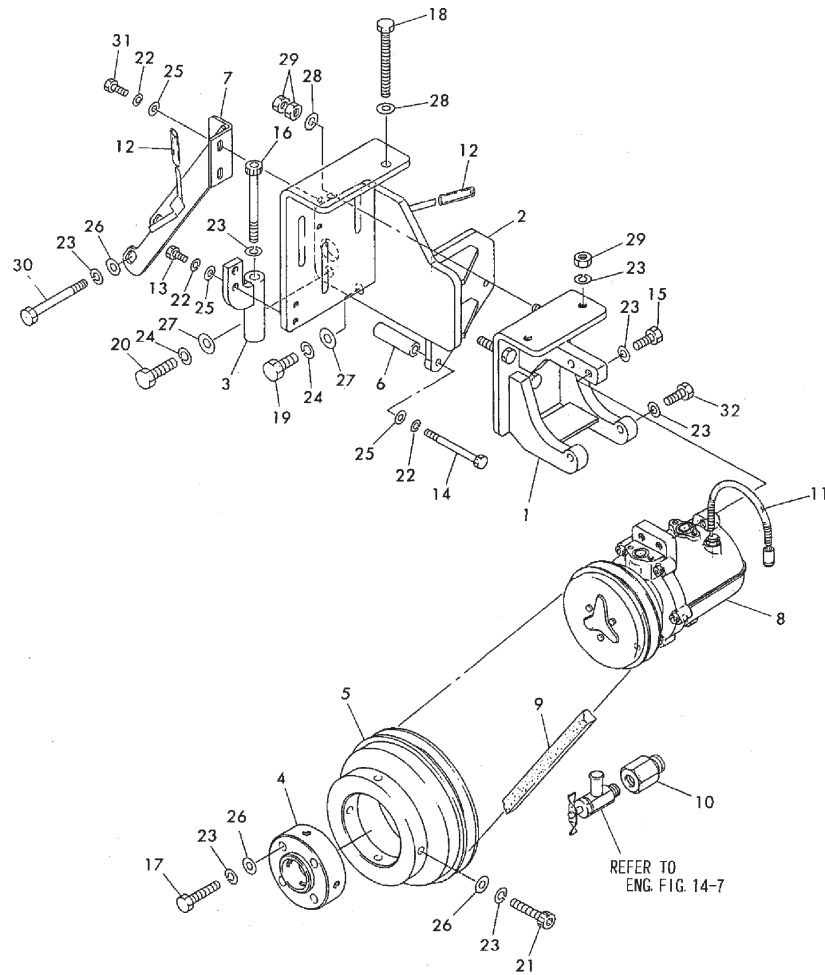
(B)=

(C)=

(D)=

(E)=

(F)=



REF.	LEV.	PARTS NO.	DESCRIPTION	Q'TY						I	R
				(A)	(B)	(C)	(D)	(E)	(F)		
1	1	E0870467010	BRACKET(A),COMPRESSR	1							
2	1	E0870467020	BRACKET(B),COMPRESSR	1							
3	1	E0870467200	STAY	1							
4	1	E0870467040	SPACER	1							
5	1	E0870467050	PULLEY	1							
6	1	E0870467090	PIPE	2							
7	1	E0870467100	STAY	1							
8	1	E1911503780	COMPRESSOR	1							
9	1	E1621002045	V-BELT	1							
10	1	E1501910404	ADAPTOR	1							
11	1	E1703210718	CORRUGATE TUBE	1							
12	1	E0872433150	CLAMP TUBE	3							
13	1	E1100040835	BOLT M 8X35	2							
13-1	1	E1100040820	BOLT M 8X 20	2							S
(A=*1997.03)											
14	1	E1100140810	BOLT M 8X110	2							
15	1	E1100041030	BOLT M10X30	2							
16	1	E1110141005	SOCKET BOLT M10X105	1							
17	1	E1100041050	BOLT M10X 50	4							
18	1	E1100241000	BOLT M10X100	2							
19	1	E1100041230	BOLT M12X 30	1							
20	1	E1100041245	BOLT M12X 45	1							
21	1	E1110041050	SOCKET BOLT M10X 50	4							
22	1	E1140020008	SPRING WASHER 8	6							
23	1	E1140020010	SPRING WASHER 10	17							
24	1	E1140020012	SPRING WASHER 12	2							
25	1	E1141110008	WASHER 8	6							
I 25-1	1	E1141110008	WASHER 8	8							K
(A=*1997.04)											
26	1	E1141110010	WASHER 10	10							
27	1	E1141110012	WASHER 12	2							
28	1	E1141550010	WASHER M10	5							
29	1	E1130040010	NUT M10	8							
30	1	E1100141005	BOLT M 5	2							
31	1	E1100040816	BOLT M 8X 16	2							
32	1	E1100041035	BOLT M10X 35	2							

Fig.49. COOLER(2):OPTIONAL

(A)=C80R-2

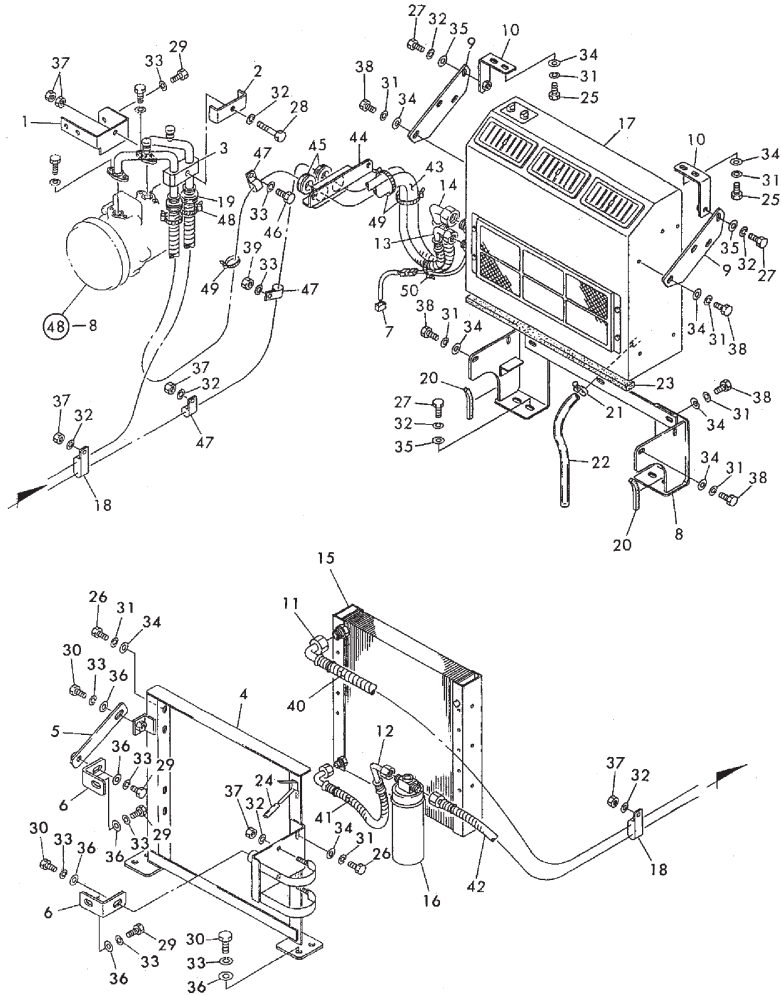
(B)=

(C)=

(D)=

(E)=

(F)=



REF.	LEV.	PARTS NO.	DESCRIPTION	Q'TY						I	R
				(A)	(B)	(C)	(D)	(E)	(F)		
1	1	E0872463320	BRACKET,PIPING	1							
2	1	E0564612250	RETAINER PLATE,PIPIN	1							
3	1	E0564612260	RUBBER PLATE,PIPING	1							
4	1	E0870467060	BRACKET,CONDENSER	1							
5	1	E0870467070	STAY	1							
6	1	E0870467080	STAY	2							
7	1	E0870467180	HARNES,AIR CON.	1							
8	1	E0870467130	UNIT BRACKET	1							
9	1	E0870467140	STAY	2							
10	1	E0870467150	STAY	2							
I 10-1	1	E0870467210	STAY	2							N
(A=*1997.03)											
11	1	E1911504430	HOSE,COOLER	1							
12	1	E1911504450	HOSE,COOLER	1							
13	1	E1911504480	HOSE	1							
14	1	E1911504490	HOSE	1							
15	1	E1911504410	CONDENSER	1							
16	1	E1911504420	RECEIVER DRYER	1							
17	1	E1911504400	COOLER UNIT	1							
I 18	1	E0007300019	CLAMP	2							Z
(A=*1997.03)											
19	1	E0267010200	GUARD,HOSE	2							
20	1	E1653916007	SEAL TRIM	2							
21	1	E1533001014	BAND, HOSE	2							
22	1	E1531110025	VINYL HOSE	2							
23	1	E1654302450	SPONGY	1							
24	1	E0872433150	CLAMP TUBE	3							
I 25	1	E1100040620	BOLT M 6X 20	4							Z
(A=*1997.03)											
26	1	E1100040616	BOLT M 6X 16	7							
27	1	E1100040835	BOLT M 8X35	6							
I 27-1	1	E1100040820	BOLT M 8X 20	10							S
(A=*1997.03)											
28	1	E1100040840	BOLT M 8X 40	1							
29	1	E1100041020	BOLT M10X 20	4							
30	1	E1100041025	BOLT M10X 25	6							
31	1	E1140020006	SPRING WASHER 6	24							
I 31-1	1	E1140020006	SPRING WASHER 6	20							K
(A=*1997.03)											
32	1	E1140020008	SPRING WASHER 8	12							
33	1	E1140020010	SPRING WASHER 10	12							
34	1	E1141110006	WASHER,PLAIN 6	24							
I 34-1	1	E1141110006	WASHER,PLAIN 6	20							K
(A=*1997.03)											
35	1	E1141110008	WASHER 8	6							
I 35-1	1	E1141110008	WASHER 8	8							K
(A=*1997.04)											
36	1	E1141110010	WASHER 10	9							
37	1	E1130040008	NUT M 8	5							
I 37-1	1	E1130040008	NUT M 8	3							K
(A=*1997.04)											

Remarks
(1)NOT ILLUSTRATED.

Fig.49. COOLER(2):OPTIONAL

(A)=C80R-2

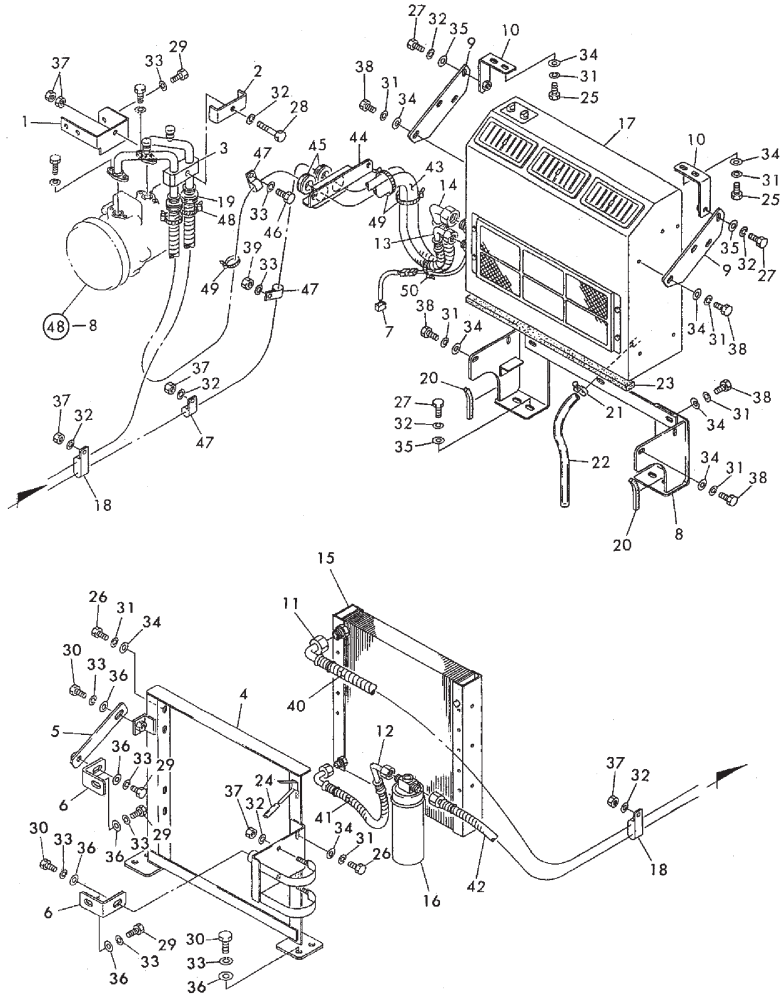
(B)=

(C)=

(D)=

(E)=

(F)=



REF.	LEV.	PARTS NO.	DESCRIPTION	Q'TY						I	R
				(A)	(B)	(C)	(D)	(E)	(F)		
38	1	E1100040616	BOLT M 6X 16	13							
39	1	E1130040010	NUT M10	1							
40	1	E1532210160	SPIRAL-TUBE	1							
I 40-1	1	E1532218210 (A=*1997.03)	SPIRAL TUBE	1							N
41	1	E1532210037	SPIRAL-TUBE	1							
I 41-1	1	E1532218037 (A=*1997.03)	SPIRAL TUBE	1							N
42	1	E1532210230	SPIRAL TUBE	1							
I 42-1	1	E1532218250 (A=*1997.03)	SPIRAL TUBE	1							N
43	1	E1532210180	SPIRAL TUBE	1							
I 43-1	1	E1532218260 (A=*1997.03)	SPIRAL TUBE	1							N
44	1	E0870467160	HOSE BRACKET	1							
45	1	E1652053001	GROMMET	2							
46	1	E1100041016	BOLT M10X16	1							
47	1	E0007300001	CLAMP	3							
I 47-1	1	E0007300001 (A=*1997.04)	CLAMP	2							K
48	1	E1652200004	TIE WRAP	2							
49	1	E1652200005	TIE WRAP	3							
I 49-1	1	E1652200005 (A=*1997.04)	TIE WRAP	2							K
50	1	E1652231140	TIE-LAP	1							
I 51	1	E0872463100 (A=*1997.02)	COOLING GAS	4							W 1
I 52	1	E0872960320 (A=*1997.03)	ROPE	1							W 1
I 53	1	E1652231250 (A=*1997.03)	TIE-LAP	8							W 1

Remarks
(1)NOT ILLUSTRATED.

N:Old $\begin{matrix} \leftarrow \text{Yes} \\ \text{No} \end{matrix}$ New, Q:Old $\begin{matrix} \leftarrow \text{No} \\ \text{Yes} \end{matrix}$ New, R:Old $\begin{matrix} \leftarrow \text{Yes} \\ \text{Yes} \end{matrix}$ New, S:Old $\begin{matrix} \leftarrow \text{No} \\ \text{No} \end{matrix}$ New, W:Add, Z:Discontinued, F:Interchangeable by set, K:Q'ty Change

Fig.50. VESSEL

(A)=C80R-2

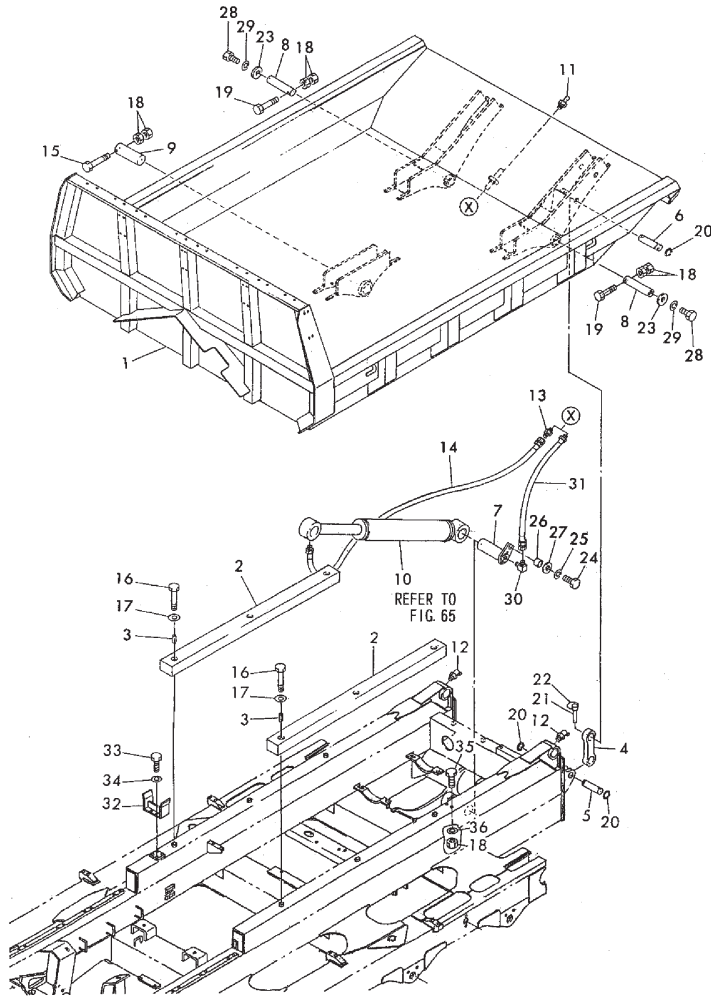
(B)=

(C)=

(D)=

(E)=

(F)=



REF.	LEV.	PARTS NO.	DESCRIPTION	Q'TY						I	R
				(A)	(B)	(C)	(D)	(E)	(F)		
1	1	E0870604600	VESSEL SCOOP	1							
2	1	E0870604510	CUSHION	2							
3	1	E0870604520	PIPE	6							
4	1	E0870604530	PLATE	1							
5	1	E0870604540	PIN	1							
6	1	E0870604550	PIN	1							
7	1	E0870604560	PIN	1							
8	1	E0870604570	PIN	2							
9	1	E0870604580	PIN	1							
10	1	E1900073400	CYLINDER	1							1
11	1	E1560001000	NIPPLE,GREASE PT1/8	2							
12	1	E1560006175	GREASE NIPPLE	2							
13	1	E1511050001	HOSE ADAPTER	1							
14	1	E0870604501	HOSE	1							
15	1	E1100141030	BOLT M10X130	1							
16	1	E1100041060	BOLT M10X 60	6							
17	1	E0003600020	WASHER	6							
18	1	E1130040010	NUT M10	8							
19	1	E1100141000	BOLT M10X100	2							
20	1	E1220000035	SNAP RING	3							
21	1	E0416100800	PIN	1							
22	1	E0416100900	RING	1							
23	1	E0872605090	PLATE	2							
24	1	E1100241435	BOLT M14X 35,P2.0	1							
25	1	E1140020014	SPRING WASHER 14	1							
26	1	E0872603050	COLLAR	1							
27	1	E0872603060	WASHER	1							
28	1	E1100042040	BOLT M20X 40	2							
29	1	E1140020020	SPRING WASHER M20	2							
30	1	E1511150001	HOSE ADAPTER	1							
31	1	E0870604502	HOSE	1							
32	1	E0870604590	LOCK,VESSEL	1							
33	1	E1100041020	BOLT M10X 20	4							
34	1	E1140020010	SPRING WASHER 10	4							
35	1	E1100041016	BOLT M10X16	2							
36	1	E1140020010	SPRING WASHER 10	2							

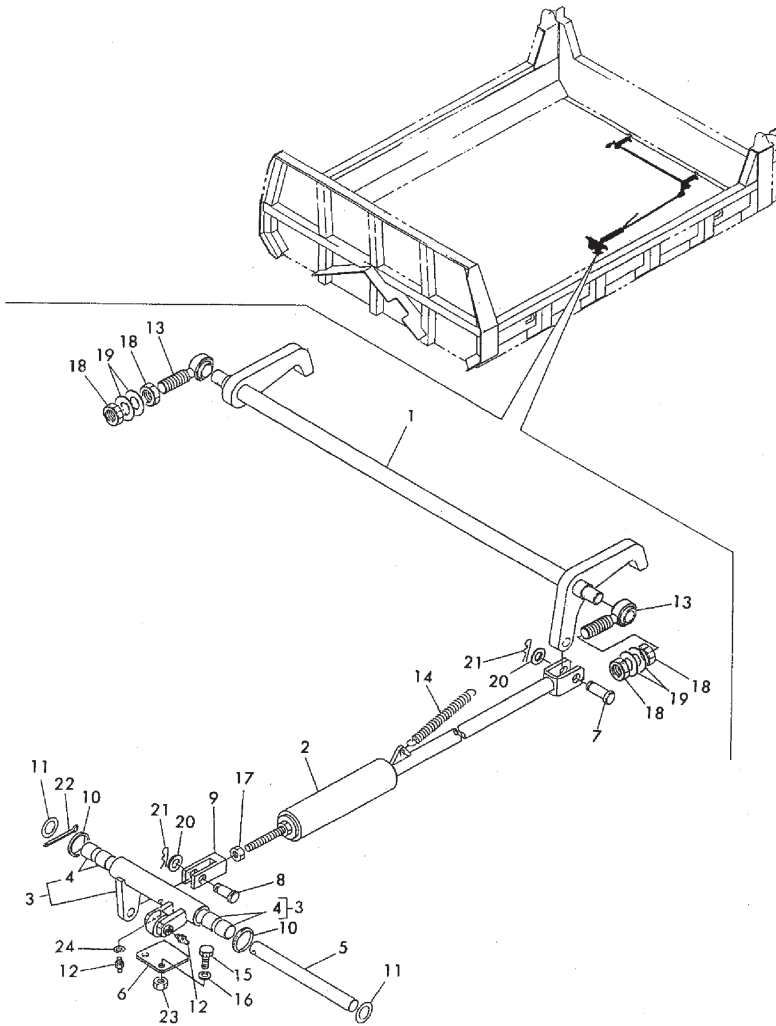
Remarks
(1)REFER TO FIG.65

N:Old $\begin{matrix} \leftarrow \text{Yes} \\ \text{No} \end{matrix}$ New, Q:Old $\begin{matrix} \leftarrow \text{No} \\ \text{Yes} \end{matrix}$ New, R:Old $\begin{matrix} \leftarrow \text{Yes} \\ \text{Yes} \end{matrix}$ New, S:Old $\begin{matrix} \leftarrow \text{No} \\ \text{No} \end{matrix}$ New, W:Add, Z:Discontinued, F:Interchangeable by set, K:Q'ty Change

Fig.51. REAR LINK(OPTIONAL)

(A)=C80R-2
(B)=
(C)=

(D)=
(E)=
(F)=



REF.	LEV.	PARTS NO.	DESCRIPTION	Q'TY						I	R
				(A)	(B)	(C)	(D)	(E)	(F)		
1	1	E0870621010	LEVER,HOOK	1							
2	1	E0872622550	SPRING ASSY	1							
3	1	E0872622600	LEVER COMP.	1							
4	2	E1333002020	BUSHING	4							
5	1	E0872622650	SHAFT,LEVER	1							
6	1	E0872622660	PLATE	1							
7	1	E0004015001	PIN	1							
8	1	E0004015002	PIN	1							
9	1	E0005515050	YOKE	1							
10	1	E0353205032	SEAL	2							
11	1	E0093208300	WASHER	2							
12	1	E1560011006	NIPPLE, GREASE	2							
13	1	E1340600200	ROD END	2							
14	1	E0007000092	SPRING	1							
15	1	E1100241025	BOLT M10X 25	2							
16	1	E1140020010	SPRING WASHER 10	2							
17	1	E1130540012	NUT M12	1							
18	1	E1130640020	NUT M20,P1.5	4							
19	1	E1141110020	WASHER 20	4							
20	1	E1141110016	WASHER,PLAIN M16	2							
21	1	E1214000012	PIN, SNAP	2							
22	1	E1210010563	COTTER PIN	1							
23	1	E1130040010	NUT M10	2							
24	1	E1141110006	WASHER,PLAIN 6	1							

Fig.52. VESSEL,WITH REAR FLAP(OPTIONAL)

(A)=C80R-2

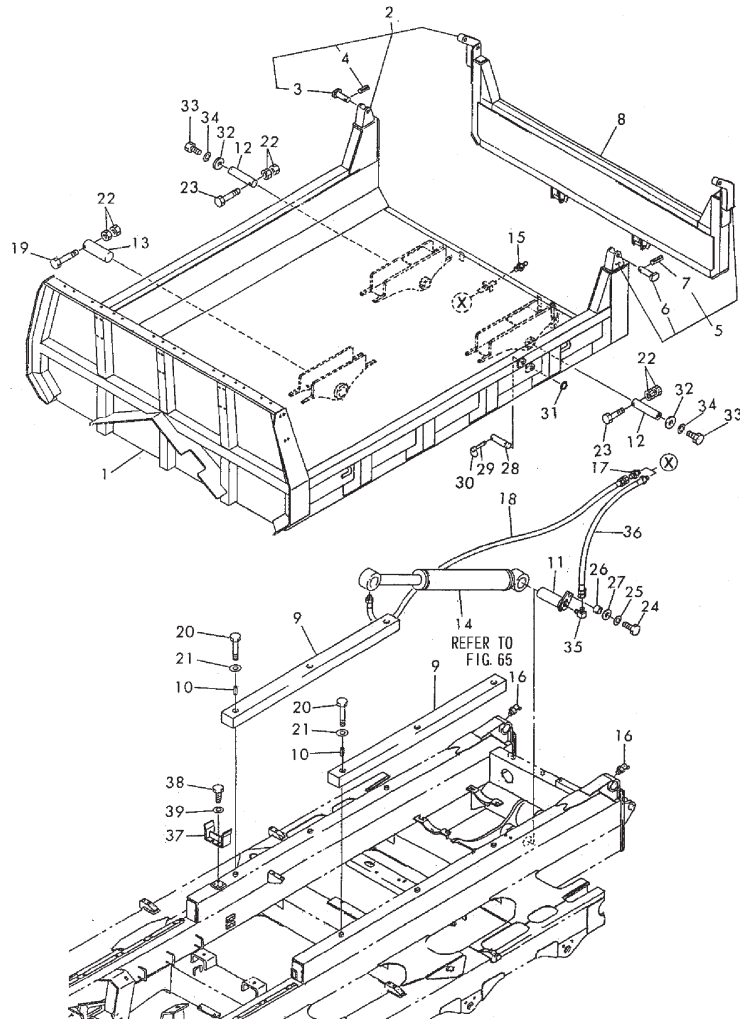
(B)=

(C)=

(D)=

(E)=

(F)=



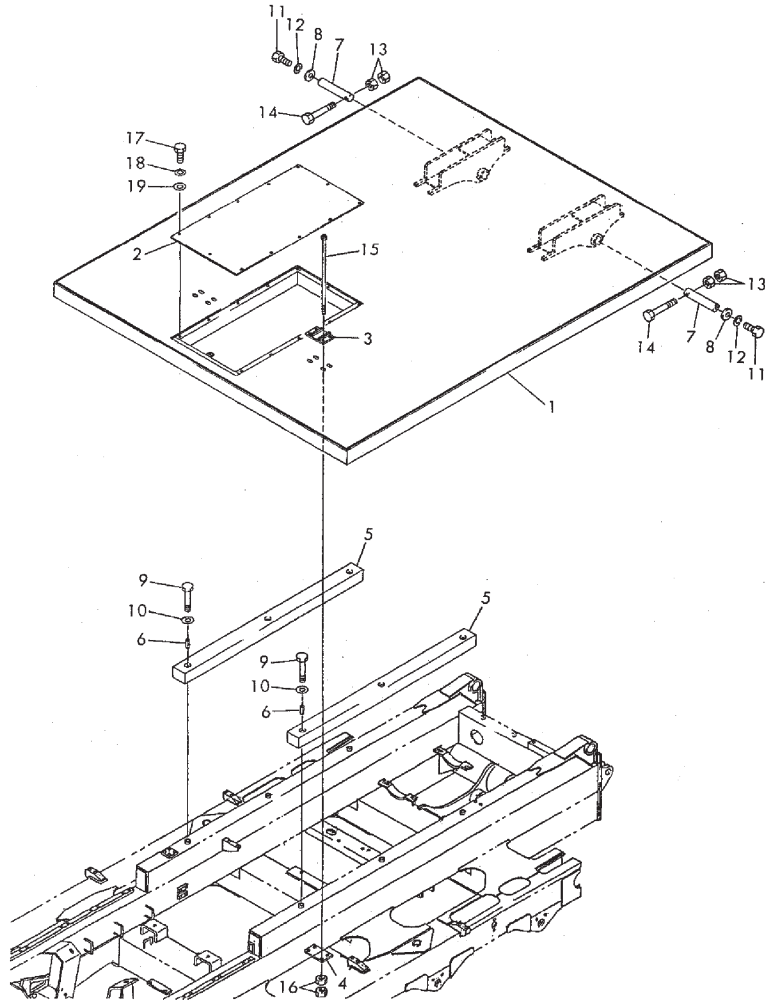
REF.	LEV.	PARTS NO.	DESCRIPTION	Q'TY						I	R
				(A)	(B)	(C)	(D)	(E)	(F)		
1	1	E0870605100	VESSEL,W/REAR FLAP	1							
2	2	E0870603136	HANDLE(L), GATE	1							
3	3	E0870690001	PIN	1							
4	3	E0870690101	PIN, SPRING	1							
5	2	E0870603137	HANDLE(R), GATE	1							
6	3	E0870690001	PIN	1							
7	3	E0870690101	PIN, SPRING	1							
8	1	E0870605300	REAR GATE	1							
9	1	E0870604510	CUSHION	2							
10	1	E0870604520	PIPE	6							
11	1	E0870604560	PIN	1							
12	1	E0870604570	PIN	2							
13	1	E0870604580	PIN	1							
14	1	E1900073400	CYLINDER	1							1
15	1	E1560001000	NIPPLE,GREASE PT1/8	2							
16	1	E1560006175	GREASE NIPPLE	2							
17	1	E1511050001	HOSE ADAPTER	1							
18	1	E0870605011	HOSE	1							
19	1	E1100141030	BOLT M10X130	1							
20	1	E1100041060	BOLT M10X 60	6							
21	1	E0003600020	WASHER	6							
22	1	E1130040010	NUT M10	6							
23	1	E1100141000	BOLT M10X100	2							
24	1	E1100241435	BOLT M14X 35,P2.0	1							
25	1	E1140020014	SPRING WASHER 14	1							
26	1	E0872603050	COLLAR	1							
27	1	E0872603060	WASHER	1							
28	1	E0872605070	PIN	1							
29	1	E0416100800	PIN	1							
30	1	E0416100900	RING	1							
31	1	E1220000035	SNAP RING	1							
32	1	E0872605090	PLATE	2							
33	1	E1100242040	BOLT	2							
34	1	E1140020020	SPRING WASHER M20	2							
35	1	E1511150001	HOSE ADAPTER	1							
36	1	E0870605021	HOSE	1							
37	1	E0870604590	LOCK,VESSEL	1							
38	1	E1100241020	BOLT M10X 20	4							
39	1	E1140020010	SPRING WASHER 10	4							

Remarks
(1)REFER TO FIG.65

Fig.53. FLAT BODY(OPTIONAL)

(A)=C80R-2
(B)=
(C)=

(D)=
(E)=
(F)=



REF.	LEV.	PARTS NO.	DESCRIPTION	Q'TY						I	R
				(A)	(B)	(C)	(D)	(E)	(F)		
1	1	E0870605500	FLAT BODY	1							
2	1	E0870605402	COVER	1							
3	1	E0870605410	PLATE	2							
4	1	E0870605404	PLATE	2							
5	1	E0870604510	CUSHION	2							
6	1	E0870604520	PIPE	6							
7	1	E0870604570	PIN	2							
8	1	E0872605090	PLATE	2							
9	1	E1100041060	BOLT M10X 60	6							
10	1	E0003600020	WASHER	6							
11	1	E1100042040	BOLT M20X 40	2							
12	1	E1140020020	SPRING WASHER M20	2							
13	1	E1130040010	NUT M10	4							
14	1	E1100141000	BOLT M10X100	2							
15	1	E0870605420	BOLT	8							
16	1	E1130040012	NUT M12	16							
17	1	E1100041025	BOLT M10X 25	12							
18	1	E1140020010	SPRING WASHER 10	12							
19	1	E1141110010	WASHER 10	12							

Fig.54. BACK BUZZER(OPTIONAL)

OCK30-G34000 54. BACK BUZZER(OPTIONAL)

(A)=C80R-2
(B)=
(C)=

(D)=
(E)=
(F)=

REF.	LEV.	PARTS NO.	DESCRIPTION	Q'TY						I	R	
				(A)	(B)	(C)	(D)	(E)	(F)			
1	1	E1703700004	ALARM	1								
2	1	E1100040816	BOLT M 8X 16	1								
3	1	E1140020008	SPRING WASHER 8	1								
4	1	E1141110008	WASHER 8	1								

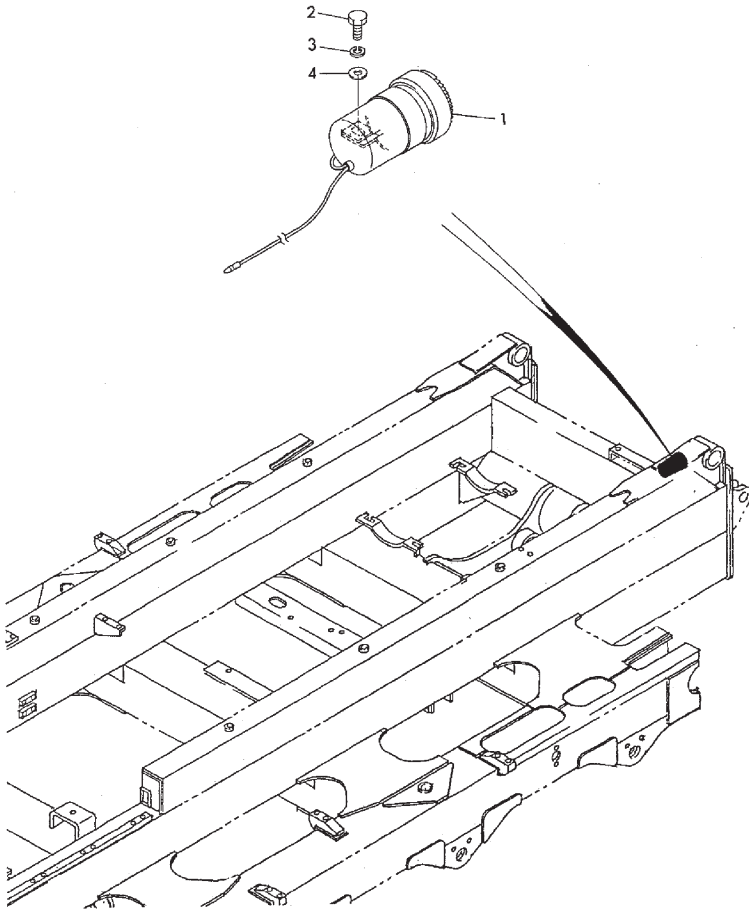
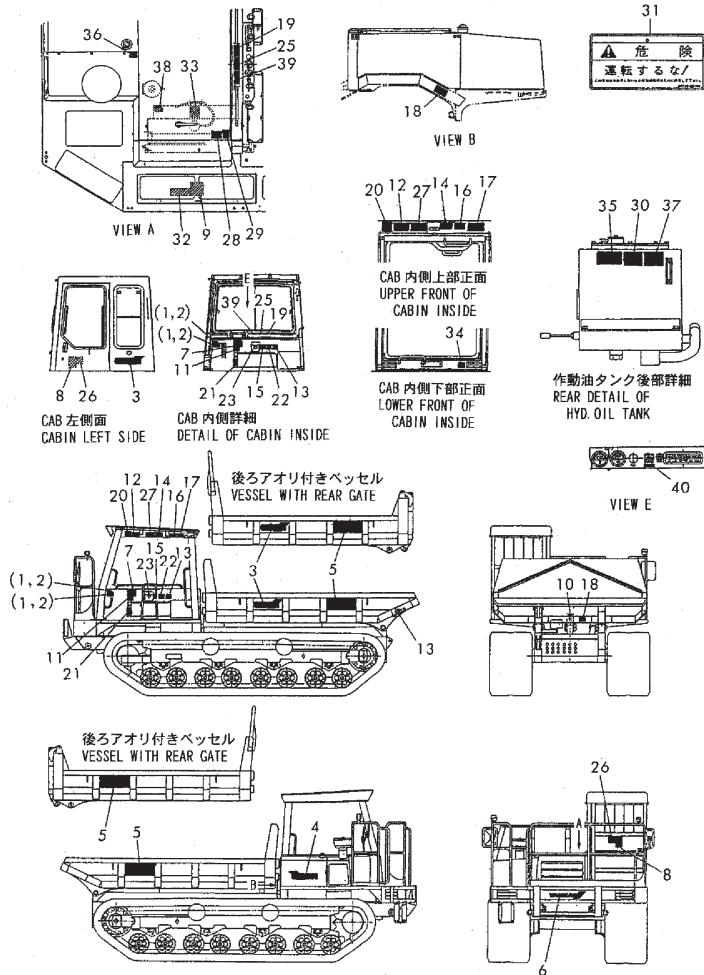


Fig.55. LABEL

1, 2 inc.(1)~40



(A)=C80R-2

(B)=

(C)=

(D)=

(E)=

(F)=

REF.	LEV.	PARTS NO.	DESCRIPTION	Q'TY						I	R
				(A)	(B)	(C)	(D)	(E)	(F)		
1	1	E0870930000	LABEL SET	1							
I 1-1	1	E0870932000	LABEL SET	1							S
(A=M/#20545C)											
2	1	E0870931000	LABEL SET(FLAT BODY)	1							
I 2-1	1	E0870933000	LABEL SET(FLAT BODY)	1							S
(A=M/#20545C)											
3	2	E0870082001	LABEL,MODEL	1							
4	2	E0870082002	LABEL,MODEL	1							
5	2	E0868082003	LABEL,YANMAR	2							
6	2	E0871081004	LABEL,YANMAR	1							
7	2	E0871082330	LABEL,SPECIFICATION	1							
8	2	E0871082340	LABEL,LUBRICATION	1							
9	2	E0871082350	LABEL,CAUTION	1							
10	2	E0871082360	LABEL(GREASE)	1							
11	2	E0872930060	LABEL	1							
12	2	E0872930070	LABEL,(OVERTURN)	1							
13	2	E0872930080	LABEL,LOCK	2							
14	2	E0872930090	LABEL,ENGINE	1							
15	2	E0872930100	LABEL,PARKING BRAKE	1							
16	2	E0872930110	LABEL,DOWN-HILL	1							
17	2	E0872930120	LABEL	1							
18	2	E0872930130	LABEL,BURN	2							
19	2	E0872930140	LABEL,ENGINE STOP	1							
20	2	E0872930160	LABEL,HIGH VOLTAGE	1							
21	2	E0872930170	LABEL,FUSE	1							
I 21-1	2	E0872930175	LABEL,FUSE	1							S
(A=M/#20545C)											
22	2	E0872930190	LABEL,WARNING	1							
23	2	E0109330200	LABEL,KEY SWITCH	1							
25	2	E0871082040	LABEL,WARNING	1							
26	2	E0871082060	LABEL,WARNING	1							
27	2	E0871082090	LABEL,WARNING	1							
28	2	E0871082120	LABEL,WARNING	1							
29	2	E0871082130	LABEL,CAUTION	1							
30	2	E0871082140	LABEL,WARNING	1							
31	2	E0871082160	LABEL	1							
32	2	E0871082170	LABEL,DANGER	1							
33	2	E0871082190	LABEL,WARNING	1							
34	2	E0871082210	LABEL,WARNING	1							
35	2	E0871082220	LABEL,CAUTION	1							
36	2	E0871082240	LABEL,FUEL	1							
37	2	E0871082250	LABEL,HYD.OIL	1							
38	2	E0871082260	LABEL,SUB.TANK	1							
39	2	E0871082290	LABEL,CAUTION	1							
40	2	E0872930220	LABEL	1							
I 41	2	E0872932020	LABEL,CAUTION	1							W 1
(A=*1997.04)											
I 42	2	E0872932010	LABEL	1							W 1
(A=*1997.02)											

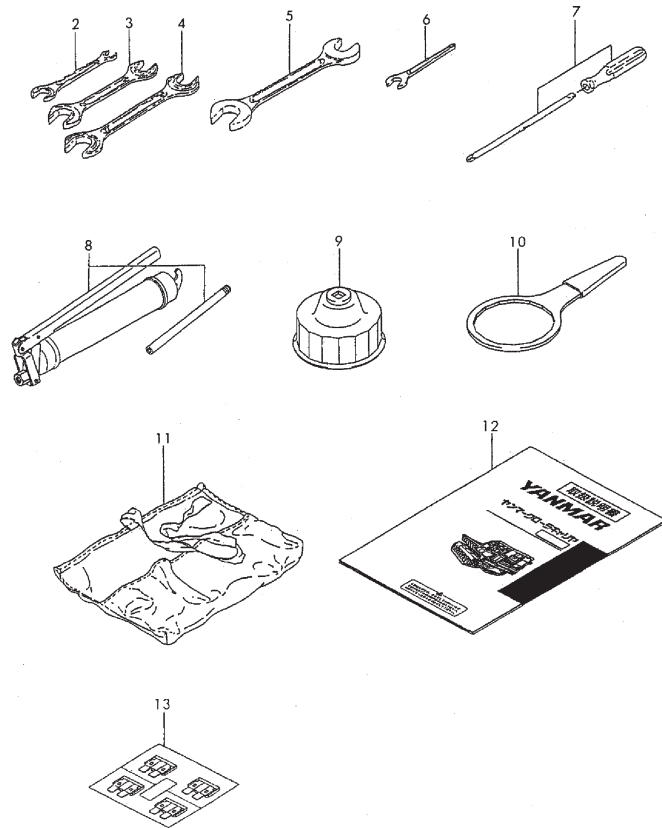
Remarks
(1)NOT ILLUSTRATED.

Fig.56. TOOL

(A)=C80R-2
(B)=
(C)=

(D)=
(E)=
(F)=

1 inc. 2 ~ 13



REF.	LEV.	PARTS NO.	DESCRIPTION	Q'TY						I	R
				(A)	(B)	(C)	(D)	(E)	(F)		
1	1	E0870920500	TOOL SET	1							
2	2	28110-100120	WRENCH 10X12	1							2
3	2	28110-140170	WRENCH 14X17	1							3
4	2	28110-190220	WRENCH 19X22	1							4
5	2	E1690002427	WRENCH 24X27	1							
6	2	E1690100013	WRENCH 13	1							
7	2	104200-92350	DRIVER, SCREW	1							5
8	2	E1691000800	GREASE PUMP	1							
9	2	X095031090	WRENCH,OIL FILTER	1							1
10	2	E0870920700	WRENCH,FUEL FILTER	1							
11	2	E1691400003	BAG, TOOL	1							
12	2	E0870920600	MANUAL BOOK	1							
13	2	E0872920200	SPARE FUSE	1							

Remarks

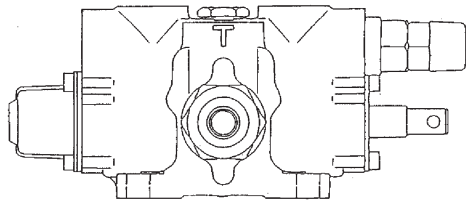
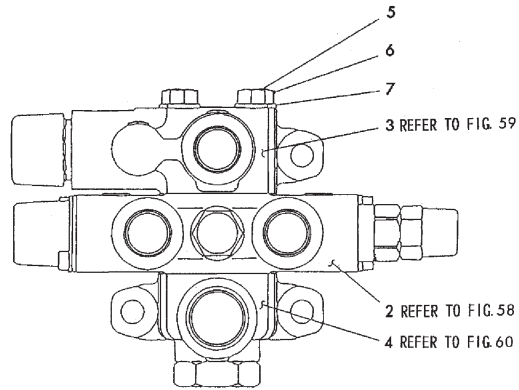
- (1)PART NO.OF HINO.MOTORS,LTD.
- (2)PART NO.OF TAKEUTI E1690001012
- (3)PART NO.OF TAKEUTI E1690001417
- (4)PART NO.OF TAKEUTI E1690001922
- (5)PART NO.OF TAKEUTI E1690220205

Fig.57. CONTROL VALVE ASSY.

(A)=C80R-2
(B)=
(C)=

(D)=
(E)=
(F)=

1 inc. 2 ~ 7



REF.	LEV.	PARTS NO.	DESCRIPTION	Q'TY						I	R	
				(A)	(B)	(C)	(D)	(E)	(F)			
1	1	E1901034800	CONTROL VALVE ASSY.	1								
2	2	E1901034810	BODY ASSY.	1								1
3	2	E1901034803	P-COVER ASSY.	1								2
4	2	E1901034804	T-COVER ASSY.	1								3
5	2	E1901034806	STUD BOLT	4								
6	2	E1130050008	NUT M 8	4								
7	2	E1140010008	SPRING WASHER 8	4								

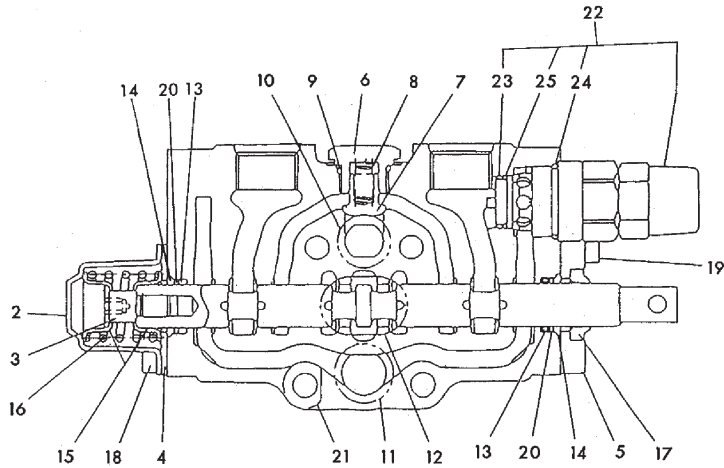
Remarks
(1)REFER TO FIG.58
(2)REFER TO FIG.59
(3)REFER TO FIG.60

Fig.58. BODY ASSY.(CONTROL VALVE)

(A)=C80R-2
(B)=
(C)=

(D)=
(E)=
(F)=

1 inc. 2 ~ 25



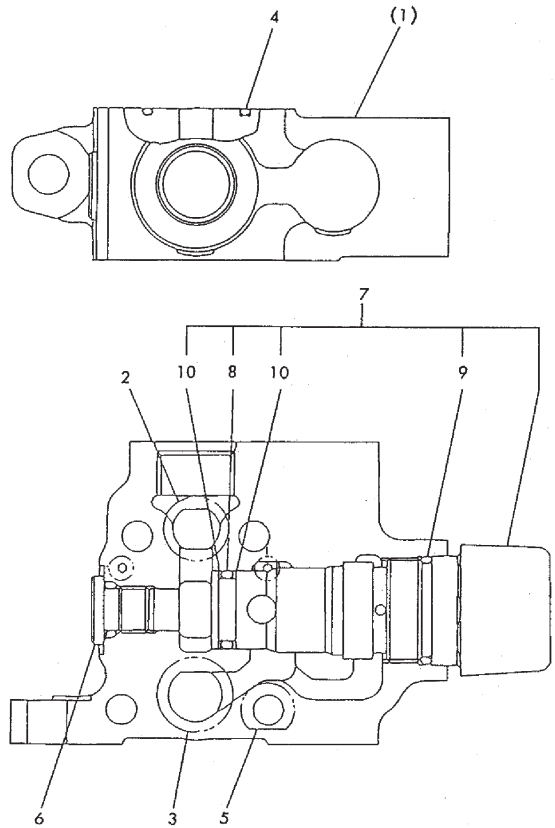
REF.	LEV.	PARTS NO.	DESCRIPTION	Q'TY						I	R
				(A)	(B)	(C)	(D)	(E)	(F)		
1	2	E1901034810	BODY ASSY.	1							
2	3	E1901034364	COVER	1							
3	3	E1901034331	SPOOL END	1							
4	3	E1901034378	PLATE	1							
5	3	E1901034862	COVER	1							
6	3	E1901034374	PLUG	1							
7	3	E1901034366	PLUNGER	1							
8	3	E1901034357	SPRING	1							
9	3	E1902903602	O-RING	1							
10	3	E1901034381	RING,SQUARE	1							
11	3	E1901034382	RING,SQUARE	1							
12	3	E1901034383	RING,SQUARE	1							
13	3	E1420000150	O-RING	2							
14	3	E1901034841	DISTANCE PIECE	2							
15	3	E1901034354	SEAT,SPRING	2							
16	3	E1901034857	SPRING	1							
17	3	E1901034846	DUST SEAL	1							
18	3	E1110050510	BOLT M 5X 10	2							
19	3	E1110050514	SOCKET BOLT	2							
20	3	E1421020150	BACKUP RING	2							
21	3	E1901034372	SHIM	4							
22	3	E1901034821	RELIEF VALVE ASSY.	1							
23	4	E1420310015	O-RING	1							
24	4	E1420310020	O-RING	1							
25	4	E1421520015	BACKUP RING	1							

Fig.59. P.COVER COMP.(CONTROL VALVE)

(A)=C80R-2
(B)=
(C)=

(D)=
(E)=
(F)=

1 inc.(1)~10



REF.	LEV.	PARTS NO.	DESCRIPTION	Q'TY						I	R
				(A)	(B)	(C)	(D)	(E)	(F)		
1	2	E1901034803	P-COVER ASSY.	1							
2	3	E1901034381	RING,SQUARE	1							
3	3	E1901034382	RING,SQUARE	1							
4	3	E1901034383	RING,SQUARE	1							
5	3	E1901034372	SHIM	4							
6	3	E1901034371	PLUG	1							
7	3	E1901034822	RELIEF VALVE ASSY.	1							
8	4	E1420310114	O-RING	1							
9	4	E1420310119	O-RING	1							
10	4	E1421520114	BACKUP RING	2							

Fig.60. T.COVER COMP.(CONTROL VALVE)

(A)=C80R-2
 (B)=
 (C)=

(D)=
 (E)=
 (F)=

REF.	LEV.	PARTS NO.	DESCRIPTION	Q'TY						I	R
				(A)	(B)	(C)	(D)	(E)	(F)		
1	2	E1901034804	T-COVER ASSY.	1							
2	3	E1901034872	BUSHING	1							
3	3	E1420000250	O-RING	1							

1 inc. (1) ~ 3

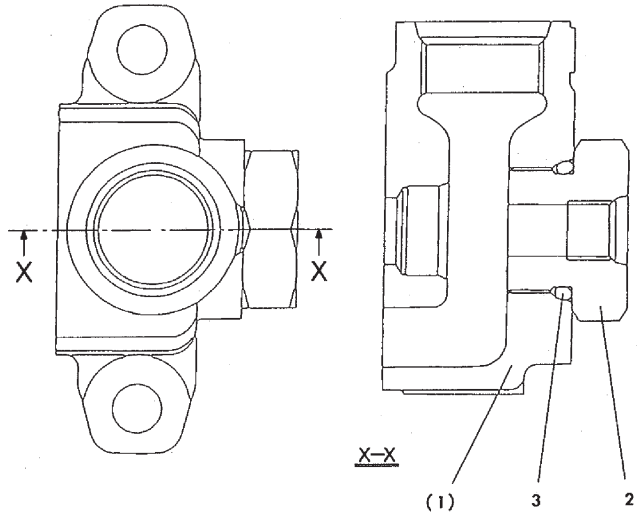


Fig.61. REMOCON VALVE ASSY.

(A)=C80R-2
(B)=
(C)=

(D)=
(E)=
(F)=

REF.	LEV.	PARTS NO.	DESCRIPTION	Q'TY						I	R
				(A)	(B)	(C)	(D)	(E)	(F)		
1	1	E1901727600	REMOCON VALVE	1							
2	2	E1901727610	SEAL	4							
3	2	E1901727611	O-RING	4							

1 inc.2,3

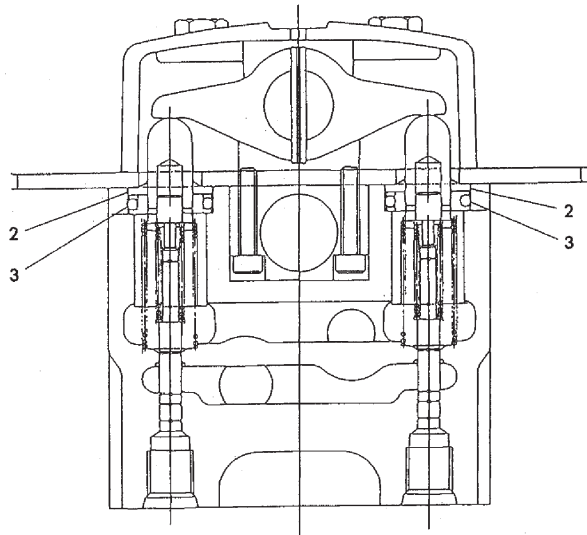
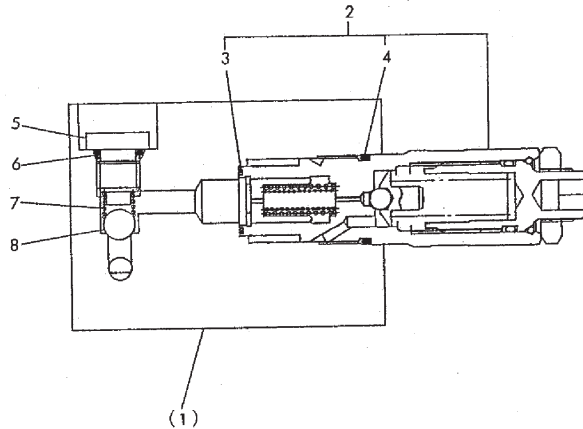
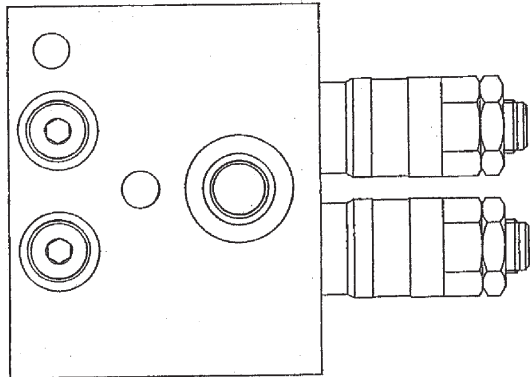


Fig.62. AUTO-TENSION VALVE ASSY.

(A)=C80R-2
(B)=
(C)=

(D)=
(E)=
(F)=

1 inc. (1)~8



REF.	LEV.	PARTS NO.	DESCRIPTION	Q'TY						I	R	
				(A)	(B)	(C)	(D)	(E)	(F)			
1	1	E1901729100	AUTO-TENSION VALVE	1								
2	2	E1901729102	RELIEF VALVE ASSY.	2								
3	3	E1901729112	O-RING	2								
4	3	E1420310017	O-RING	2								
5	2	E1901729103	PLUG	2								
6	2	E1420010080	O-RING 1B P 8.0	2								
7	2	E1901729105	SPRING	2								
8	2	E1390020450	STEEL BALL 9/32	2								

Fig.63. RELIEF VALVE ASSY.

(A)=C80R-2
(B)=
(C)=

(D)=
(E)=
(F)=

REF.	LEV.	PARTS NO.	DESCRIPTION	Q'TY						I	R
				(A)	(B)	(C)	(D)	(E)	(F)		
1	1	E1901729300	RELIEF VALVE	1							
2	2	E1901729302	RELIEF VALVE	1							
3	3	E1420310119	O-RING	1							
4	3	E1420310114	O-RING	1							
5	3	E1421520114	BACKUP RING	2							
6	2	E1902900905	PLUG	1							
7	2	E1420010110	O-RING P11-1B	1							

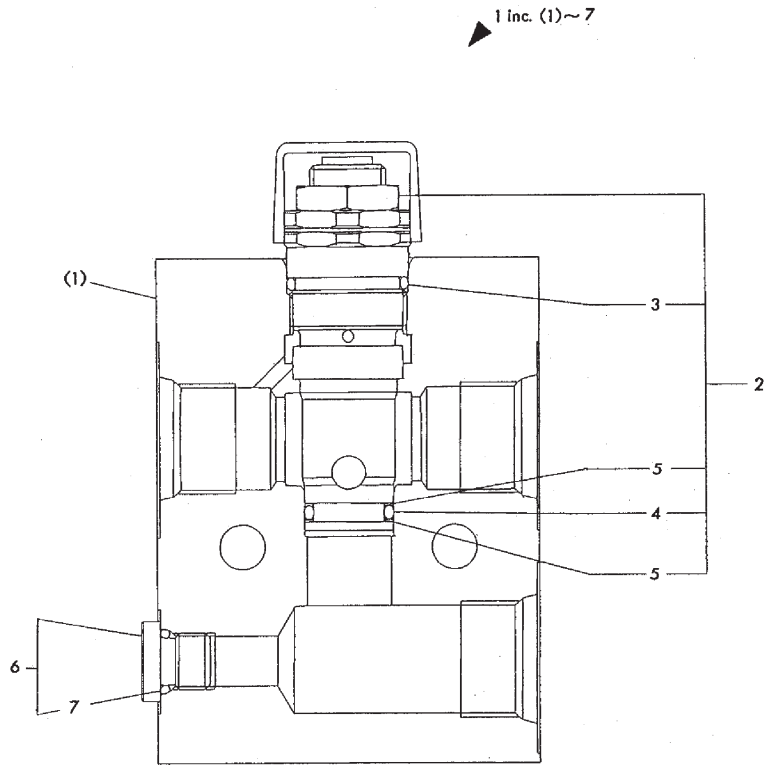


Fig.64. SIVEL SELECTOR VALVE ASSY.

OCK30-G34000 64. SIVEL SELECTOR VALVE ASSY.

(A)=C80R-2
(B)=
(C)=

(D)=
(E)=
(F)=

REF.	LEV.	PARTS NO.	DESCRIPTION	Q'TY						I	R
				(A)	(B)	(C)	(D)	(E)	(F)		
1	1	E1901729200	SELECTOR VALVE	1							
2	2	E1901729299	SEAL KIT	1							
3	2	E1901729201	SHAFT	1							
4	2	E1901729202	ROTOR	1							
5	2	E1901728403	COVER	1							
6	2	E1220000055	CIRCLIP 55	1							
7	2	E1110050820	BOLT M 8X20	6							

1 inc. 2 ~ 7

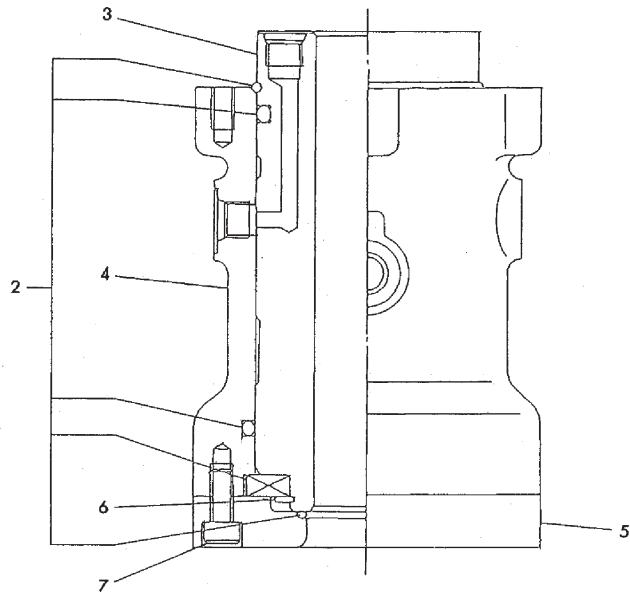


Fig.65. DUMP CYLINDER ASSY.

(A)=C80R-2
(B)=
(C)=

(D)=
(E)=
(F)=

REF.	LEV.	PARTS NO.	DESCRIPTION	Q'TY						I	R
				(A)	(B)	(C)	(D)	(E)	(F)		

1	1	E1900073400	CYLINDER	1							
2	2	E1900071499	SEAL KIT	1							
3	2	E1900073401	ROD,PISTON	1							
4	2	E1900071403	COVER,ROD	1							
5	2	E1900071406	PISTON	1							
6	2	E1900073407	TUBE	1							
7	2	E1900071409	NUT	1							
8	2	E1900071414	SNAP RING	1							
9	2	E1900071426	BUSHING	1							
10	2	E1900071427	BUSHING	1							
11	2	E1900071428	BUSHING	1							

1 inc. 2 ~ 11

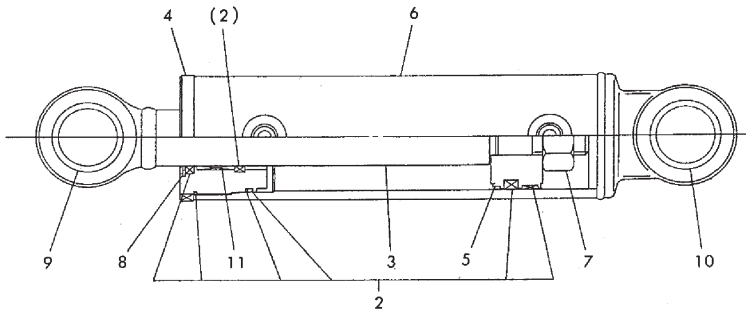
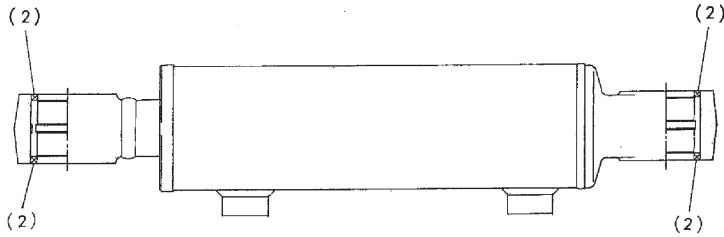
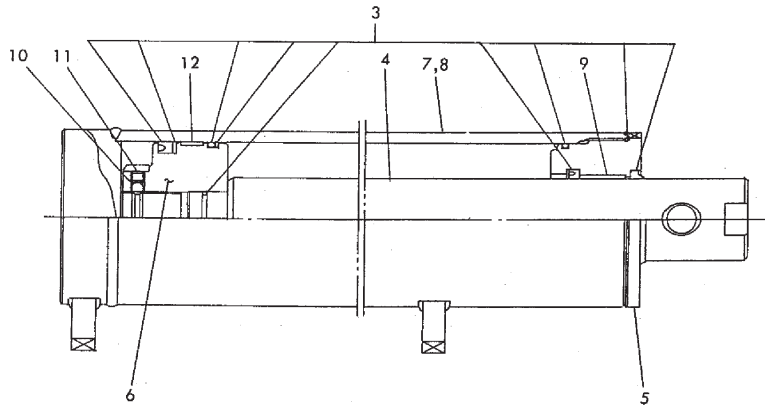
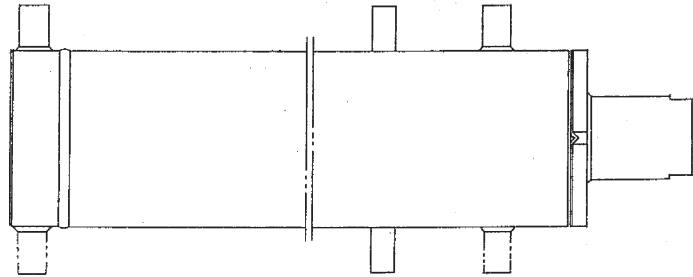


Fig.66. SHOE TENSION CYL.ASSY.(R)&(L)

(A)=C80R-2
(B)=
(C)=

(D)=
(E)=
(F)=

1 (R) inc. 3 ~ 7, 9 ~ 12
2 (L) inc. 3 ~ 6, 8 ~ 12



REF.	LEV.	PARTS NO.	DESCRIPTION	Q'TY						I	R
				(A)	(B)	(C)	(D)	(E)	(F)		
1	1	E1900072800	CYLINDER (R)	1							
2	1	E1900072900	CYLINDER (L)	1							
3	2	E1900072899	SEAL KIT	2							
4	2	E1900071501	ROD,PISTON	2							
5	2	E1900071503	COVER,ROD	2							
6	2	E1900063906	PISTON	2							
7	2	E1900071507	TUBE(R)	1							
8	2	E1900071607	TUBE(L)	1							
9	2	E1333006030	BUSHING	2							
10	2	E1390020350	STEEL BALL	2							
11	2	E1121050812	LOCK SCREW	2							
12	2	E1900063926	WEARING	2							

Fig.67. DRIVING MOTOR(INNER PARTS)

(A)=C80R-2

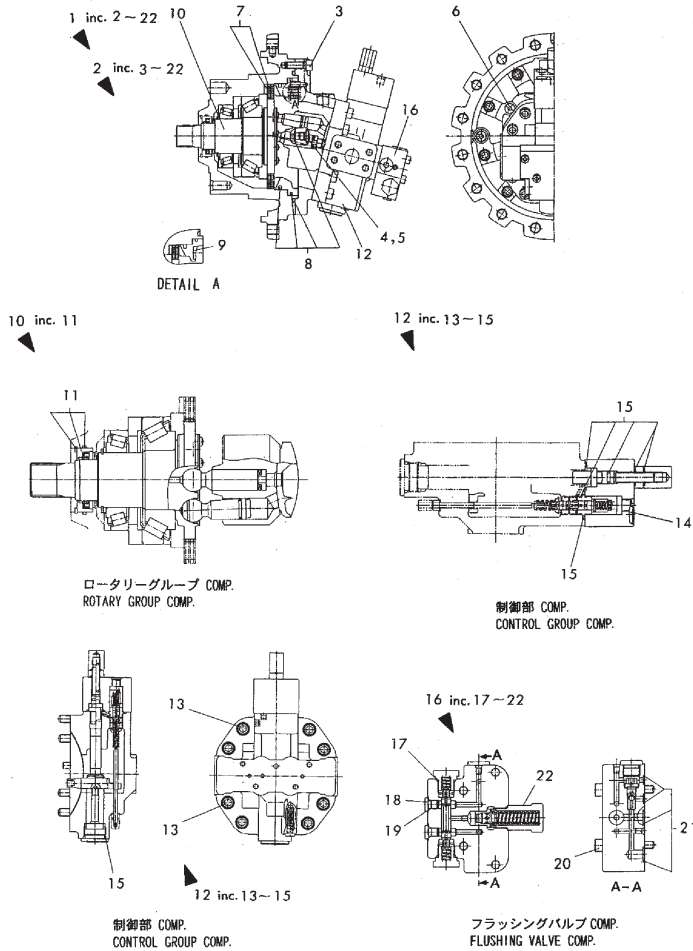
(B)=

(C)=

(D)=

(E)=

(F)=



REF.	LEV.	PARTS NO.	DESCRIPTION	Q'TY						I	R
				(A)	(B)	(C)	(D)	(E)	(F)		
1	1	172651-73300	DRIVING MOTOR ASSY.	2							1
I	1-1	172651-73301	DRIVING MOTOR ASSY.	2							S 1
(A=M/#20509)											
2	2	172651-73310	PISTON MOTOR ASSY.	2							
I	2-1	172651-73311	PISTON MOTOR ASSY.	2							S
(A=M/#20509)											
3	3	172651-73430	SOCKET BOLT M12X 35	16							
I	4	172142-74600	PLUG	4							M
I	4-1	172142-74660	PLUG 1/4	4							N
(A=M/#20509)											
5	3	24315-000110	O-RING 1B P-11.0	4							
6	3	172651-73440	PLUG M14X1.5	4							
7	3	172651-73360	DISC KIT	2							
8	3	172651-73370	SEAL KIT	2							
9	3	172651-73380	SHIM KIT	2							
10	3	172651-73320	ROTARY GROUP COMP.	2							
11	4	172651-73390	SEAL KIT	2							
12	3	172651-73330	CONTROL GROUP COMP.	2							
13	4	172651-73450	SOCKET BOLT M12X 40	16							
14	4	172650-73440	SOCKET BOLT M12X 55	8							
15	4	172651-73400	SEAL KIT	2							
16	3	172651-73340	FLUSHING VALVE COMP.	2							2
17	4	24315-000160	O-RING 1B P-16.0	4							
18	4	172142-74650	PLUG 1/8	4							
19	4	24315-000080	O-RING 1B P-8.0	4							
20	4	172650-73450	BOLT,8X55HEX SOCKET	8							
21	4	172650-73410	SEAL KIT	2							
22	4	172651-73410	RELIEF VALVE ASY.	2							

Remarks
 (1)INCLUDES FIG.68 REDUCTION GEAR ASSY.(172651-73460).
 MODEL MR1V1900C86-40(HAL)
 (2)MODEL FLD 6GS-879-0
 (M)MISPRINT

Fig.68. REDUCTION GEAR ASSY.

(A)=C80R-2
(B)=
(C)=

(D)=
(E)=
(F)=

REF.	LEV.	PARTS NO.	DESCRIPTION	Q'TY						I	R
				(A)	(B)	(C)	(D)	(E)	(F)		
1	1	172651-73460	REDUCTION GEAR ASSY.	2							
2	2	172651-73470	SIDE COVER	2							
3	2	172650-73480	PLUG M22X1.5	4							
4	2	172651-73480	BOLT M10X30	24							
5	2	172650-73500	WASHER 10-22H	24							
I	6	E147794030	HOUSING,REDUCT.GEAR	2							
I	7	X197101670	FLOATING SEAL SET	2							
I	8	X147794511	DISTANCE PIECE	2							

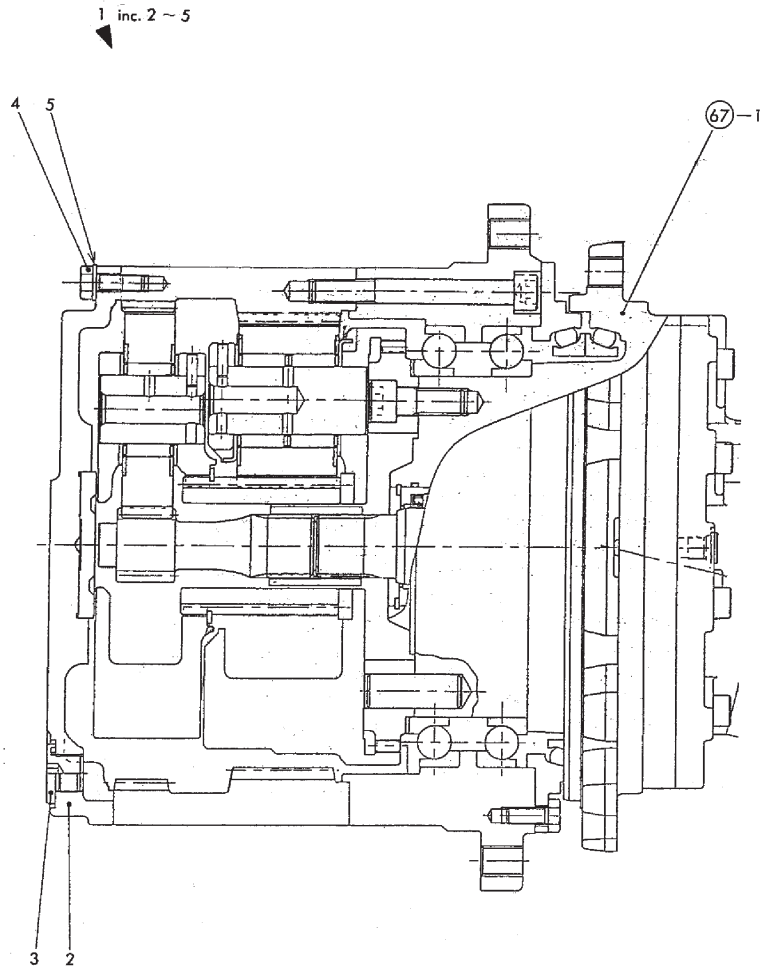


Fig.69. HYDRAULIC PUMP(1)

(A)=C80R-2

(B)=

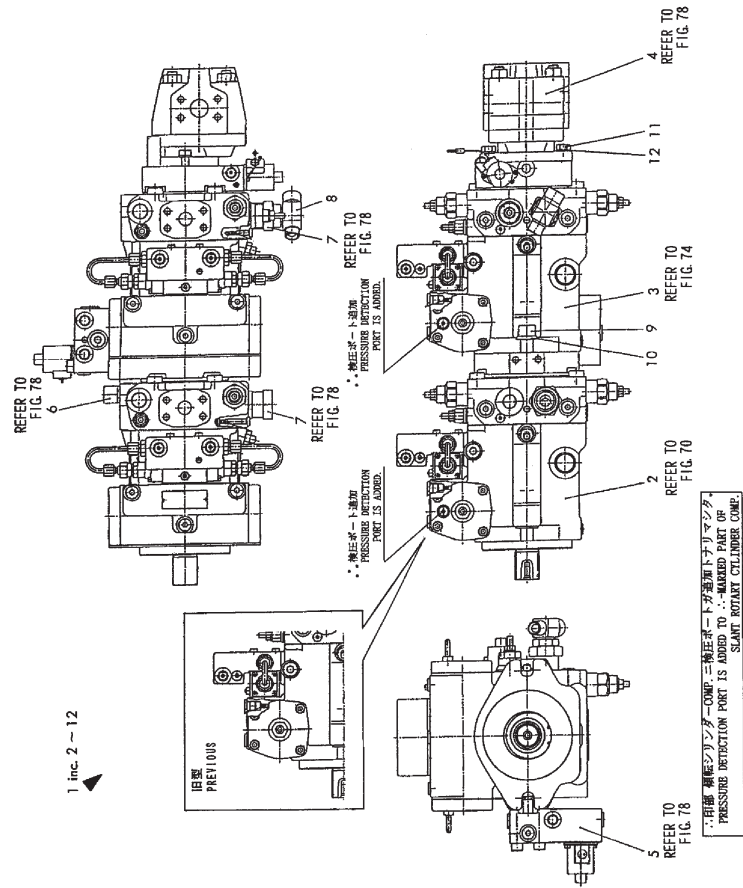
(C)=

(D)=

(E)=

(F)=

REF.	LEV.	PARTS NO.	DESCRIPTION	Q'TY						I	R
				(A)	(B)	(C)	(D)	(E)	(F)		
1	1	172651-73100	HST PUMP	1							4
I	1-1	172651-73101	HST PUMP	1							S
(A=M/#20545C)											
2	2	172651-73110	PISTON PUMP(FRONT)	1							1
3	2	172651-73120	PISTON PUMP(REAR)	1							2
4	2	172651-73130	GEAR PUMP	1							3
5	2	172651-73140	TIMER VALVE	1							3
I	5-1	172651-73141	TIMER VALVE	1							S
(A=M/#20545C)											
6	2	172651-73150	BUSHING	1							3
7	2	172650-73160	BUSHING M26X1.5,G3/4	2							3
8	2	172650-73170	TEE	1							
9	2	172650-73430	SOCKET BOLT M16X 45	2							
10	2	172651-73160	WASHER	2							
11	2	172650-73200	BOLT M10X 30	2							
12	2	22212-100000	SPRING WASHER 10	2							



1 inc. 2 ~ 12

Remarks

- (1)REFER TO FIG.70
- (2)REFER TO FIG.74
- (3)REFER TO FIG.78
- (4)EXTERNAL DIMENSION IS CHANGED BECAUSE THE SOLENOID VALVE IS FITTED TO THE TIMER VALVE AFTER M/#20545C

Fig.70. HYD.PUMP(2):PISTON PUMP(FRONT)ASSY.

(A)=C80R-2

(B)=

(C)=

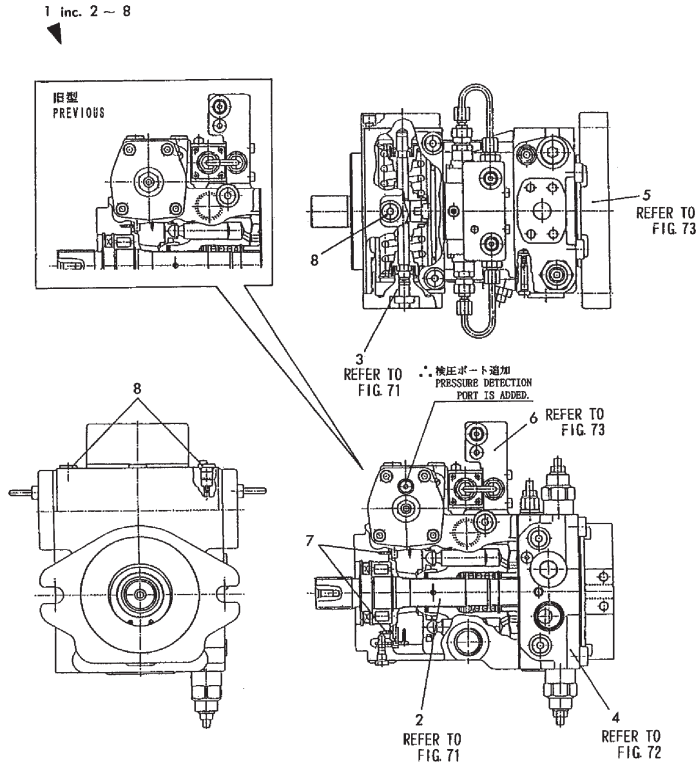
(D)=

(E)=

(F)=

REF.	LEV.	PARTS NO.	DESCRIPTION	Q'TY						I	R	
				(A)	(B)	(C)	(D)	(E)	(F)			
1	2	172651-73110	PISTON PUMP(FRONT)	1								
2	3	172651-73170	ROTARY GROUP COMP.	1								1
3	3	172651-73180	ROTARY CYL.COMP.	1								1
4	3	172651-73190	COVER COMP.(FRONT)	1								2
5	3	172651-73200	PUMP CONNECT.COMP.	1								3
6	3	172651-73210	HD.CONTROL COMP.	1								3
7	3	172651-73220	SPRING PIN 3 X 10	2								
I	8	3	172650-73810	PLUG COMP.(G1/4A)	3							M
I	8-1	3	172142-74600	PLUG	3							N 3

(A)*1997.04



∴ 旧型 斜転シリンダーCOMP. 検圧ポートが追加トナリマシタ。
PRESSURE DETECTION PORT IS ADDED TO ∴-MARKED PART OF
SLANT ROTARY CYLINDER COMP.

Remarks

- (1)REFER TO FIG.71
- (2)REFER TO FIG.72
- (3)REFER TO FIG.73
- (M)MISPRINT

Fig.71. HYD.P(2):ROTARY G.& ROTARY CYL COMP.

(A)=C80R-2

(B)=

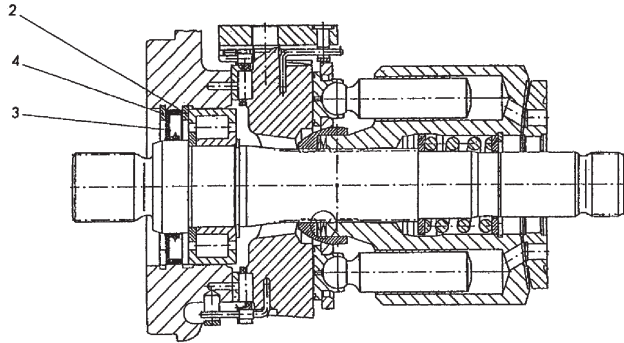
(C)=

(D)=

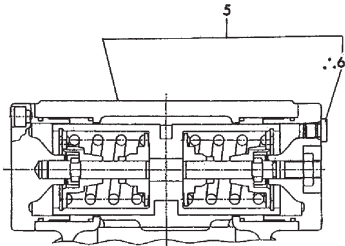
(E)=

(F)=

1 inc. 2~4



ロータリーグループ COMP.
ROTARY GROUP COMP.



傾斜シリンダ-部 COMP.
ROTARY CYLINDER COMP.

∴印部 傾斜シリンダ-部COMP.ニプラグヲ追加トナリマシタ
PLUG IS ADDED TO ∴-MARKED PART OF
SLANT ROTARY CYLINDER COMP.

REF.	LEV.	PARTS NO.	DESCRIPTION	Q'TY						I	R	
				(A)	(B)	(C)	(D)	(E)	(F)			
I	1	3	172651-73170	ROTARY GROUP COMP.	1							1
	2	4	172651-73230	CIRCLIP 67(H)	1							
	3	4	172651-73240	OIL SEAL 40X67X7/5	1							
	4	4	172651-73250	CIRCLIP 67(H,K-RING)	1							
	5	3	172651-73180	ROTARY CYL.COMP.	1							
	6	4	172142-74590	PLUG	1							

Remarks

(1)ROTARY GROUP ASSY(172651-73170)
BELONGS TO FIG.69.REF.NO.2 &
FIG.70.REF.NO.1,FRONT PISTON PUMP
(172651-73110).

Fig.72. HYD.PUMP(2):COVER COMP.(FRONT)

(A)=C80R-2

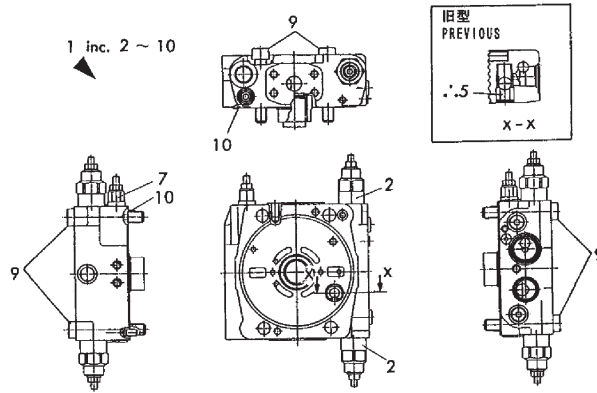
(B)=

(C)=

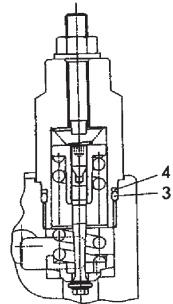
(D)=

(E)=

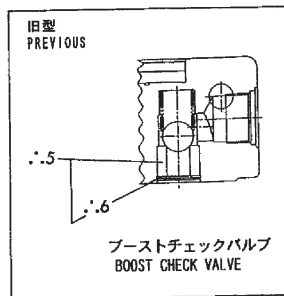
(F)=



2 inc. 3,4

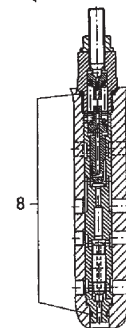


高圧リリーフバルブ (バイパス)
HIGH PRESS. RELIEF VALVE
(WITH BY-PASS)



ブーストチェックバルブ
BOOST CHECK VALVE

7 inc. 8



カットオフバルブ
CUT-OFF VALVE

∴印部 ガバー部COMP.(フロント)ノ ブーストチェックバルブヲ廃止トナリマシタ。
BOOST CHECK VALVE OF ∴-MARKED PART OF COVER COMP. (FRONT) IS DISCONTINUED.

REF.	LEV.	PARTS NO.	DESCRIPTION	Q'TY						I	R
				(A)	(B)	(C)	(D)	(E)	(F)		
1	3	172651-73190	COVER COMP.(FRONT)	1							
2	4	172651-73260	RELIEF V.CMP.(W/BY-P	2							
3	4	172651-73600	O-RING	2							
4	4	172651-73610	BACK-UP RING	2							
I	5	172651-73270	BOOST CHECK VALVE	1							Z
		(A=*1998.04)									
I	6	4 22252-000220	CIRCLIP 22	1							Z
		(A=*1998.04)									
7	4	172651-73280	CUT-OFF VALVE	1							
8	4	172651-73620	SEAL KIT	1							
9	4	172651-73290	SOCKET BOLT M14X 80	4							
10	4	172651-73700	SEAL KIT	1							

Fig.73. HYD.P(2):PUMP CONNECT.& HD.CON

(A)=C80R-2

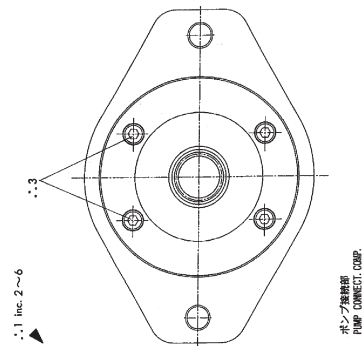
(B)=

(C)=

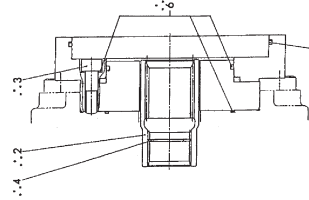
(D)=

(E)=

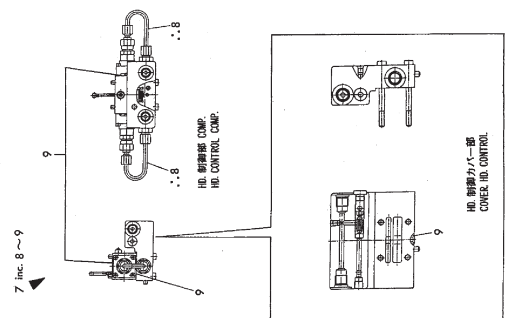
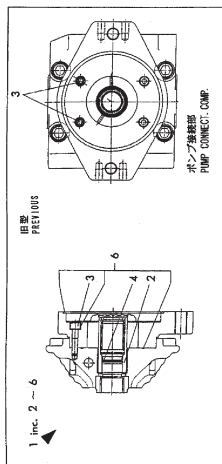
(F)=



ポンプ接続部
PUMP CONNECT. COMP.



プラグ COMP.(G1/4A)
PLUG COMP.



旧型、ポンプ接続部/構造変更、及び旧、制御部/構造変更、7は構造変更番号、
STRUCTURE OF PUMP CONNECT. GROUP IS CHANGED AND
FILED OF HYDRAULIC CONTROL GROUP IS NUMBERED.

REF.	LEV.	PARTS NO.	DESCRIPTION	Q'TY						I	R
				(A)	(B)	(C)	(D)	(E)	(F)		
1	3	172651-73200	PUMP CONNECT.COMP.	1							
2	4	172651-73630	COUPLING	1							
3	4	172651-73640	SOCKET BOLT M 8X 35	4							
4	4	22252-000260	CIRCLIP 26	1							
I 5	4	172651-73980	O-RING(NBR,HS70)	1							W
(A=*1998.04)											
6	4	172651-73650	SEAL KIT	1							
7	3	172651-73210	HD.CONTROL COMP.	1							
I 8	4	172651-73970	PIPING PART	2							W
(A=*1998.04)											
9	4	172651-73660	SEAL KIT	1							
10	3	172650-73810	PLUG COMP.(G1/4A)	3							M
10-1	3	172142-74600	PLUG	3							N
(A=*1997.04)											
11	4	172142-74660	PLUG 1/4	3							Z
(A=*1997.04)											
12	4	24315-000110	O-RING 1B P-11.0	3							Z
(A=*1997.04)											

Remarks
(M)MISPRINT

Fig.74. HYD.PUMP(2):PISTON PUMP(REAR)ASSY.

(A)=C80R-2

(B)=

(C)=

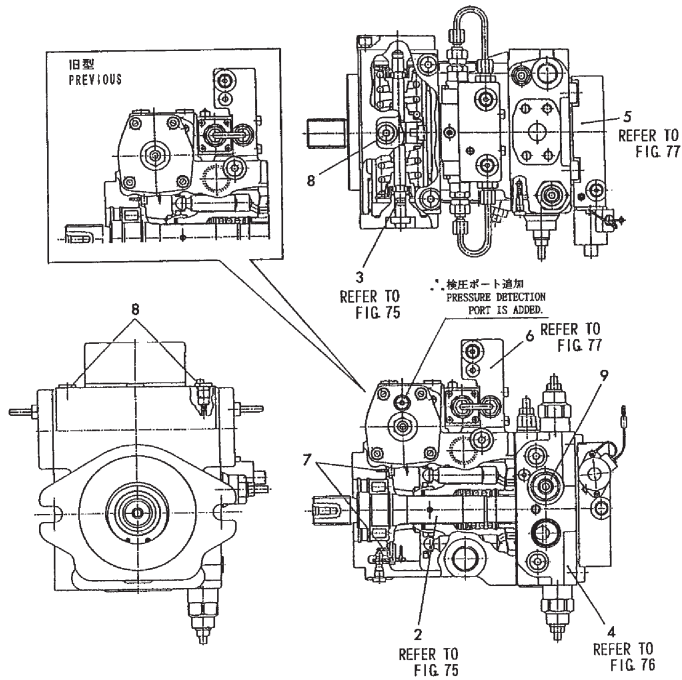
(D)=

(E)=

(F)=

REF.	LEV.	PARTS NO.	DESCRIPTION	Q'TY						I	R
				(A)	(B)	(C)	(D)	(E)	(F)		
1	2	172651-73120	PISTON PUMP(REAR)	1							
I	2	3	172651-73670	ROTARY GROUP COMP.	1						1
	3	3	172651-73180	ROTARY CYL.COMP.	1						1
	4	3	172651-73680	COVER COMP.(REAR)	1						2
	5	3	172651-73690	PUMP CONNECT.COMP.	1						3
	6	3	172651-73210	HD.CONTROL COMP.	1						3
	7	3	172651-73220	SPRING PIN 3 X 10	2						
	8	3	172142-74600	PLUG	3						3
	9	3	172651-73750	DA.VALVE COMP.	1						3

1 inc. 2~9



∴印部 斜転シリンダーCOMP.ニ検査ポートが追加トナリマシタ。
PRESSURE DETECTION PORT IS ADDED TO ∴-MARKED PART OF
SLANT ROTARY CYLINDER COMP.

Remarks

- (1)REFER TO FIG.75
- (2)REFER TO FIG.76
- (3)REFER TO FIG.77

Fig.75. HYD.P(3):ROTARY G.& ROTARY CYL COMP.

(A)=C80R-2

(B)=

(C)=

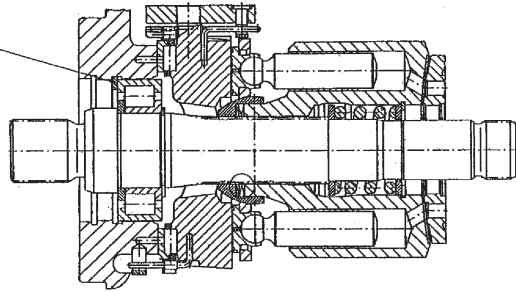
(D)=

(E)=

(F)=

1 inc. 2

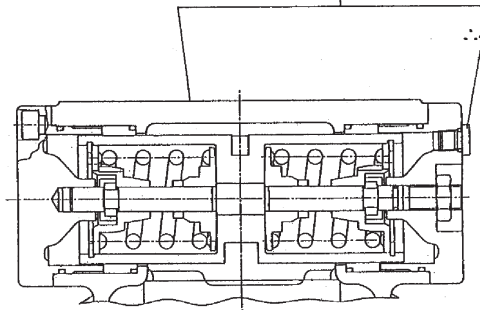
2



ロータリーグループ COMP.
ROTARY GROUP COMP.

3

4



傾斜シリンダー部 COMP.
ROTARY CYLINDER COMP.

..印部 傾斜シリンダーCOMP.ニプラグが追加トナリマシタ。
PLUG IS ADDED TO ..-MARKED PART OF
SLANT ROTARY CYLINDER COMP.

REF.	LEV.	PARTS NO.	DESCRIPTION	Q'TY						I	R	
				(A)	(B)	(C)	(D)	(E)	(F)			
I	1	3	172651-73670	ROTARY GROUP COMP.	1							1
	2	4	172651-73230	CIRCLIP 67(H)	1							
	3	3	172651-73180	ROTARY CYL.COMP.	1							
	4	4	172142-74590	PLUG	1							

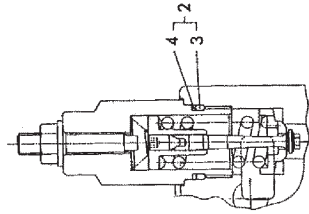
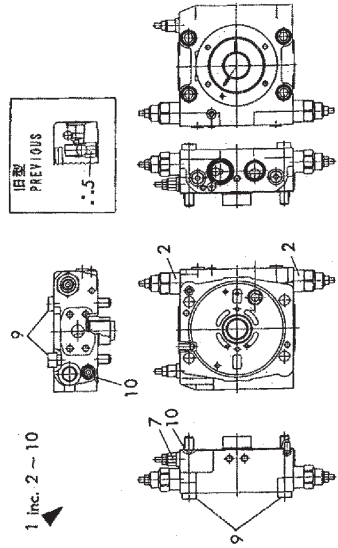
Remarks

(1)ROTARY GROUP ASSY(172651-73670)
BELONGS TO FIG.69.REF.NO.3 &
FIG.74.REF.NO.1,REAR PISTON PUMP
(172651-73120).

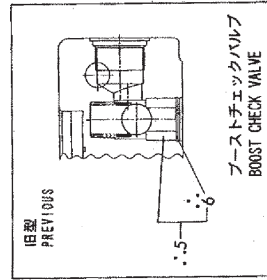
Fig.76. HYD.PUMP(3):COVER COMP.(REAR)

(A)=C80R-2
(B)=
(C)=

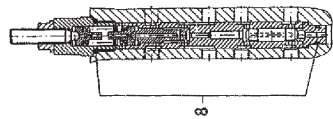
(D)=
(E)=
(F)=



高圧リリーフバルブ (バイパス付)
HIGH PRESS. RELIEF VALVE
(WITH BY-PASS)



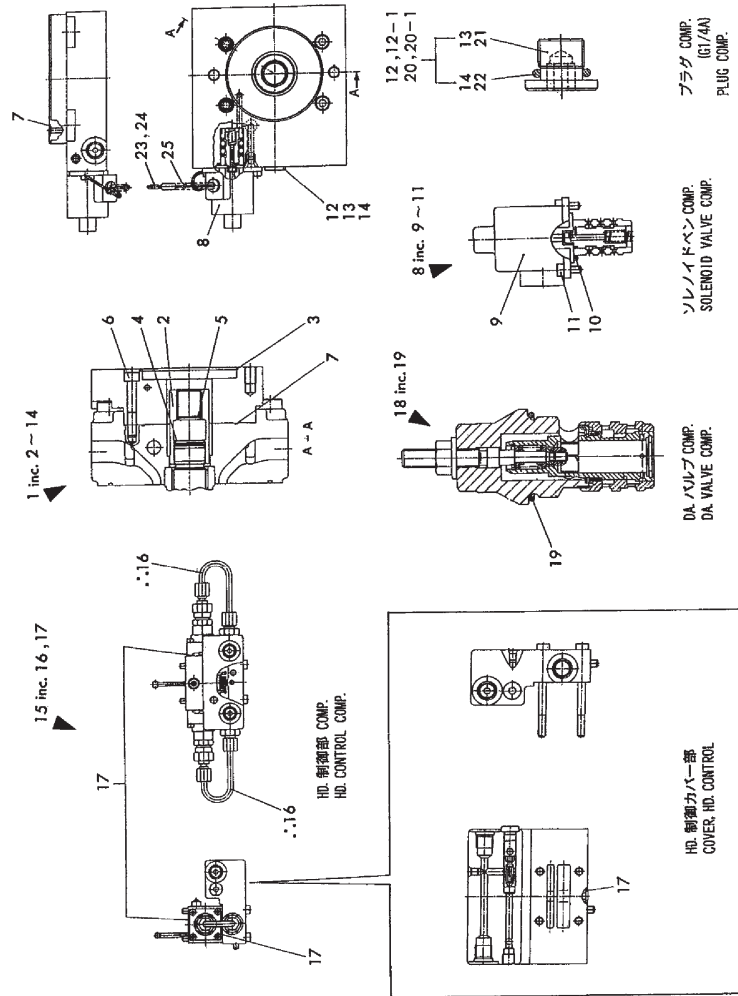
..旧部 カバー部COMP. (リアー)ノブーストチェックバルブが廃止トナリマシタ。
BOOST CHECK VALVE OF ..-MARKED PART OF COVER COMP. (REAR) IS DISCONTINUED.



カットオフバルブ
CUT-OFF VALVE

REF.	LEV.	PARTS NO.	DESCRIPTION	Q'TY						I	R
				(A)	(B)	(C)	(D)	(E)	(F)		
1	3	172651-73680	COVER COMP.(REAR)	1							
2	4	172651-73260	RELIEF V.CMP.(W/BY-P	2							
3	4	172651-73600	O-RING	2							
4	4	172651-73610	BACK-UP RING	2							
I	5	172651-73270	BOOST CHECK VALVE	1							Z
		(A=*1998.04)									
I	6	22252-000220	CIRCLIP 22	1							Z
		(A=*1998.04)									
7	4	172651-73280	CUT-OFF VALVE	1							
8	4	172651-73620	SEAL KIT	1							
9	4	172651-73290	SOCKET BOLT M14X 80	4							
10	4	172651-73700	SEAL KIT	1							

Fig.77. HYD.P(3):PUMP CONNECT.& HDC,DA



印部 HD.制御部COMP.の配管部はシママス
PIPING OF --MARKED PART OF HYDRAULIC
CONTROL COMP. IS NUMBERED.

(A)=C80R-2

(B)=

(C)=

(D)=

(E)=

(F)=

REF.	LEV.	PARTS NO.	DESCRIPTION	Q'TY						I	R
				(A)	(B)	(C)	(D)	(E)	(F)		
1	3	172651-73690	PUMP CONNECT.COMP.	1							
2	4	172651-73710	COUPLING	1							
3	4	172651-73720	O-RING(NBR,HS70)	1							
4	4	22252-000260	CIRCLIP 26	1							
5	4	22252-000190	CIRCLIP 19	1							
6	4	172651-73730	SOCKET BOLT M 8X 50	4							
7	4	172651-73740	SEAL KIT	1							
8	4	172650-73800	SOLENOID VALVE COMP.	1							
9	4	172650-73900	SOLENOID	1							
10	4	24311-000220	O-RING 1A P-22.0	1							
11	4	172162-74860	BOLT	2							
12	4	172650-73810	PLUG COMP.(G1/4A)	1							
12-1	4	172142-74600	PLUG	1							N
		(A=*1997.04)									
13	4	172142-74660	PLUG 1/4	1							Z
		(A=*1997.04)									
14	4	24315-000110	O-RING 1B P-11.0	1							Z
		(A=*1997.04)									
15	3	172651-73210	HD.CONTROL COMP.	1							
I 16	4	172651-73970	PIPING PART	2							W
		(A=*1998.04)									
17	4	172651-73660	SEAL KIT	1							
18	3	172651-73750	DA.VALVE COMP.	1							
19	4	172650-73910	O-RING(NBR,HS90)	1							
20	3	172650-73810	PLUG COMP.(G1/4A)	3							M
20-1	3	172142-74600	PLUG	3							N
		(A=*1997.04)									
21	4	172142-74660	PLUG 1/4	3							Z
		(A=*1997.04)									
22	4	24315-000110	O-RING 1B P-11.0	3							Z
		(A=*1997.04)									
23	1	E1702700002	SOCKET	2							W
		(A=*1997.04)									
24	1	E1702700004	SLEEVE,INSULATOR	2							W
		(A=*1997.04)									
25	1	E1703210720	SPIRAL TUBE	2							W
		(A=*1997.04)									

Remarks
(M)MISPRINT

N:Old $\begin{matrix} \leftarrow \text{Yes} \\ \text{No} \end{matrix}$ New, Q:Old $\begin{matrix} \leftarrow \text{No} \\ \text{Yes} \end{matrix}$ New, R:Old $\begin{matrix} \leftarrow \text{Yes} \\ \text{Yes} \end{matrix}$ New, S:Old $\begin{matrix} \leftarrow \text{No} \\ \text{No} \end{matrix}$ New, W:Add, Z:Discontinued, F:Interchangeable by set, K:Q'ty Change

Fig.78. HYD.PUMP(4):GEAR P.,TIMER V.&B

(A)=C80R-2

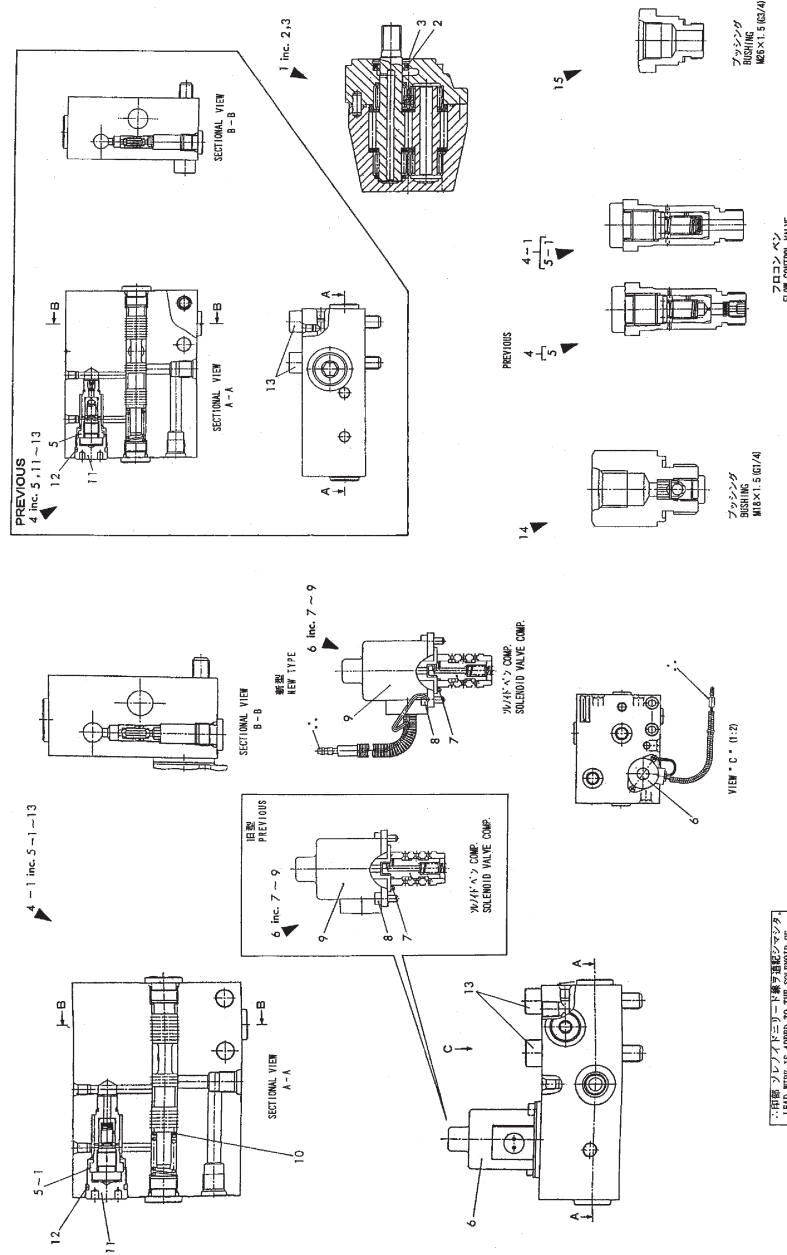
(B)=

(C)=

(D)=

(E)=

(F)=



REF.	LEV.	PARTS NO.	DESCRIPTION	Q'TY						I	R
				(A)	(B)	(C)	(D)	(E)	(F)		
1	2	172651-73130	GEAR PUMP	1							
2	3	172650-73920	OIL SEAL	1							
3	3	22252-000400	CIRCLIP 40(H)	1							
4	2	172651-73140	TIMER VALVE	1							
4-1	2	172651-73141	TIMER VALVE	1							S
(A=M/#20509)											
5	3	172651-73760	FLOW CONTROL VALVE	1							
5-1	3	172651-73761	FLOW CONTROL VALVE	1							S
(A=M/#20509)											
6	3	172650-73800	SOLENOID VALVE COMP.	1							W
(A=M/#20545)											
7	4	24311-000220	O-RING 1A P-22.0	1							W
(A=M/#20545)											
8	4	172162-74860	BOLT	2							W
(A=M/#20545)											
9	4	172650-73900	SOLENOID	1							W
(A=M/#20545)											
10	3	172650-73950	SHIM	1							W
(A=M/#20545)											
11	3	172650-73940	CAP	1							
12	3	24315-000210	O-RING 1B P 21	1							
13	3	172650-73870	SOCKET BOLT M10X 60	2							
14	2	172651-73150	BUSHING	1							
15	2	172650-73160	BUSHING M26X1.5,G3/4	1							

Fig.79. SAFETY LABEL

(A)=C80R-2

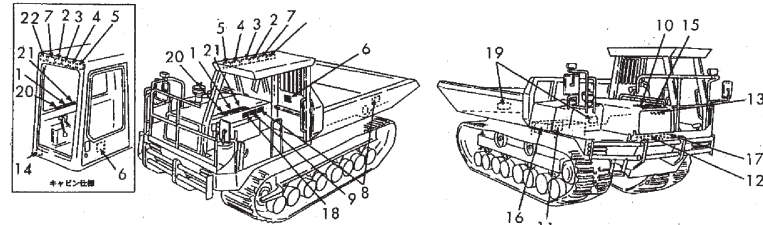
(B)=

(C)=

(D)=

(E)=

(F)=



1 取扱説明書の注意 E0871082040 (172564-03616)

2 エンジン始動および稼働時の注意 E0872930090

3 乗りおろす前の注意 E0871082290 (172519-04390)

4 傾斜時の注意 E0872930070

5 高電圧に注意 E0872931060

6 トラックへの積み込み、傾斜し降るの注意 E0871082060 (172164-03510)

7 下り坂での走行注意 E0872930110

8 両合スローパー、ダンプリースローパーの注意 E0872930080

9 ラインフィルター警告灯の注意 E0872930190

10 ボンネットを開ける時の注意 E0871082120

11 凍結のオイルに注意 E0871082140 (172519-04290)

12 バッテリー取扱い時の注意 E0871082170 (172165-03666)

13 高濃度の冷却水の注意 E0871082190

14 窓を開ける時の注意(キャビン仕様) E0871082310

15 エンジンルーム内稼働時の注意 E0871082130 (172141-03204)

16 高濃部に注意 E0871082320

17 バッテリーコード接続時の注意 E0871082350

18 駐車ブレーキの注意 E0872930100

19 高濃度のサイレンサー・排気管に注意 E0872930130

20 運搬走行時の注意 E0871082290 (172645-03510)

21 運転前後転時の注意 E0872930140

22 運転時の注意 E0872930120

23

REF.	LEV.	PARTS NO.	DESCRIPTION	Q'TY						I	R
				(A)	(B)	(C)	(D)	(E)	(F)		
1	1	172964-03610	LABEL A	1							
2	1	E0872930090	LABEL,ENGINE	1							
3	1	172519-04390	LABEL,WARNING	1							
4	1	E0872930070	LABEL,(OVERTURN)	1							
5	1	E0872930160	LABEL,HIGH VOLTAGE	1							
6	1	172164-03510	LABEL,LOADING	1							
7	1	E0872930110	LABEL,DOWN-HILL	1							
8	1	E0872930080	LABEL,LOCK	1							
9	1	E0872930190	LABEL,WARNING	1							
10	1	E0871082120	LABEL,WARNING	1							
11	1	172519-04290	LABEL,WARNING	1							
12	1	172165-03661	LABEL,DANGER	1							
13	1	E0871082190	LABEL,WARNING	1							
14	1	E0871082210	LABEL,WARNING	1							
15	1	172141-03202	LABEL,CAUTION	1							
16	1	E0871082220	LABEL,CAUTION	1							
17	1	E0871082350	LABEL,CAUTION	1							
18	1	E0872930100	LABEL,PARKING BRAKE	1							
19	1	E0872930130	LABEL,BURN	1							
20	1	172645-03510	LABEL,CAUTION	1							
21	1	E0872930140	LABEL,ENGINE STOP	1							
22	1	E0872930120	LABEL	1							
23	1	E0872932040	CAUTION,WINDSHIELD	1							

Remarks
(1)NOT ILLUSTRATED.

Part Number Index

All parts are stipulated in the order of part numbers.

(Depending on the area in which the part is used.)

This index will display the location of the part according to each part number.

PARTS No. INDEX

PARTS No.	Fig.	Ref.No.
104200-92350	56	7
148616-44550	10	25
172141-03202	79	15
172142-74590	71	6
	75	4
172142-74600	67	4
	70	8 -1
	73	10 -1
	74	8
	77	12 -1
		20 -1
172142-74650	67	18
172142-74660	67	4 -1
	73	11
	77	13
		21
172162-74860	77	11
	78	8
172164-03510	79	6
172165-03661	79	12
172519-04290	79	11
172519-04390	79	3
172645-03510	79	20
172650-73160	69	7
	78	15
172650-73170	69	8
172650-73200	69	11
172650-73410	67	21
172650-73430	69	9
172650-73440	67	14
172650-73450	67	20
172650-73480	68	3
172650-73500	68	5
172650-73800	77	8
	78	6
172650-73810	70	8
	73	10
	77	12
		20
172650-73870	78	13
172650-73900	77	9
	78	9
172650-73910	77	19
172650-73920	78	2
172650-73940	78	11
172650-73950	78	10
172651-38600	2	17
172651-73100	25	19
	26	19
	69	1

PARTS No.	Fig.	Ref.No.
172651-73101	25	19 -1
	26	19 -1
	69	1 -1
172651-73110	69	2
	70	1
172651-73120	69	3
	74	1
172651-73130	69	4
	78	1
172651-73140	69	5
	78	4
172651-73141	69	5 -1
	78	4 -1
172651-73150	69	6
	78	14
172651-73160	69	10
172651-73170	70	2
	71	1
172651-73180	70	3
	71	5
	74	3
	75	3
172651-73190	70	4
	72	1
172651-73200	70	5
	73	1
172651-73210	70	6
	73	7
	74	6
	77	15
172651-73220	70	7
	74	7
172651-73230	71	2
	75	2
172651-73240	71	3
172651-73250	71	4
172651-73260	72	2
	76	2
172651-73270	72	5
	76	5
172651-73280	72	7
	76	7
172651-73290	72	9
	76	9
172651-73300	67	1
172651-73301	67	1 -1
172651-73310	67	2
172651-73311	67	2 -1
172651-73320	67	10
172651-73330	67	12

PARTS No.	Fig.	Ref.No.
172651-73340	67	16
172651-73360	67	7
172651-73370	67	8
172651-73380	67	9
172651-73390	67	11
172651-73400	67	15
172651-73410	67	22
172651-73430	67	3
172651-73440	67	6
172651-73450	67	13
172651-73460	7	2
	68	1
172651-73470	68	2
172651-73480	68	4
172651-73490	7	2 A
172651-73600	72	3
	76	3
172651-73610	72	4
	76	4
172651-73620	72	8
	76	8
172651-73630	73	2
172651-73640	73	3
172651-73650	73	6
172651-73660	73	9
	77	17
172651-73670	74	2
	75	1
172651-73680	74	4
	76	1
172651-73690	74	5
	77	1
172651-73700	72	10
	76	10
172651-73710	77	2
172651-73720	77	3
172651-73730	77	6
172651-73740	77	7
172651-73750	74	9
	77	18
172651-73760	78	5
172651-73761	78	5 -1
172651-73970	73	8
	77	16
172651-73980	73	5
172964-03610	79	1
933110-00200	15	10
	16	10
933110-00300	15	11
	16	11

PARTS No.	Fig.	Ref.No.
933110-00300	42	52
	44	38
E0002400043	1	3
E0002400047	3	4
E0002400051	4	4
E0003000010	40	4
	45	28 -1
E0003012008	10	8
E0003600020	50	17
	52	21
	53	10
E0003600025	10	21
E0003600036	3	24
E0003600061	4	24
E0003600128	29	27
E0003608252	8	30
E0003612004	1	16
E0004005117	9	14
E0004006017	9	15
E0004008018	14	26
E0004015001	51	7
E0004015002	51	8
E0004300004	8	45
E0005008090	14	15
E0005008170	14	14
E0005500007	9	12
E0005515050	51	9
E0005521008	14	22
E0005540001	9	13
E0007000070	8	20
E0007000083	44	30
E0007000092	51	14
E0007000093	14	38
E0007203034	8	34
E0007203050	25	8
E0007300001	10	44
	17	24
	49	47
		47 -1
E0007300004	15	34
	16	34
E0007300010	15	52
	16	52
E0007300012	15	53
	16	53
E0007300013	15	43
	16	43
E0007300019	49	18
E0007300035	25	29
	26	29

PARTS No. INDEX

PARTS No.	Fig.	Ref.No.
E0007300044	46	9
E0009110060	22	50
	23	47
E0093208300	51	11
E0097210300	17	22
E0109330200	55	23
E0267010200	49	19
E0335120960	8	39
E0337017300	15	38
	16	38
E0353205032	51	10
E0363214600	14	20
E0363214700	9	6
	14	21
E0398612500	42	56
	43	35
E0416100800	50	21
	52	29
E0416100900	50	22
	52	30
E0438101500	29	2
E0563218500	14	47
E0563219700	14	46
E0564612250	49	2
E0564612260	49	3
E0568222700	30	12
E0568222800	30	13
E0568614300	42	16
E0860124500	2	6
E0868082003	55	5
E0870082001	55	3
E0870082002	55	4
E0870103060	1	10
E0870103080	1	12
E0870104510	1	5
E0870104910	1	9
E0870105930	1	6
E0870105940	1	7
E0870105950	1	8
E0870105960	1	13
E0870106310	1	40
E0870106320	1	41
E0870106330	1	42
E0870106340	1	43
E0870121800	2	1
E0870121900	2	3
E0870137580	3	11
	4	11
E0870137590	3	12
	4	12

PARTS No.	Fig.	Ref.No.
E0870137600	3	13
	4	13
E0870137610	3	14
	4	14
E0870138000	3	1
E0870138100	3	2
	4	2
E0870138200	3	3
E0870138330	3	6
	4	6
E0870138340	3	8
E0870138450	3	7
	4	7
E0870138460	3	9
E0870138500	4	1
E0870138510	4	8
E0870138530	4	9
E0870138570	3	10
	4	10
E0870138600	4	3
E0870143000	5	1
E0870143010	5	2
E0870143030	5	4
E0870143040	5	5
E0870143050	5	6
E0870143070	5	8
E0870143200	5	3
E0870151140	6	5
E0870152700	6	1
E0870152800	6	2
E0870152900	6	3
E0870162100	7	1
E0870322701	9	5
E0870323100	9	1
E0870323110	9	2
E0870323120	9	3
E0870350010	38	1
E0870350020	38	2
E0870402005	11	5
E0870402100	11	1
E0870402300	11	3
E0870402501	10	1
E0870402502	10	2
E0870402503	10	3
E0870402504	10	4
E0870402505	10	5
E0870402506	10	6
E0870402510	10	7
E0870402560	10	9 -1
E0870402570	10	11

PARTS No.	Fig.	Ref.No.
E0870402580	10	9
E0870402820	11	2
E0870402840	11	4
E0870402850	11	3 -1
E0870402860	11	5 -1
E0870411105	14	19
E0870411180	14	16
E0870411201	14	1
E0870411302	14	10
E0870411303	14	11
E0870411305	14	13
E0870411600	14	2
E0870411602	14	12
E0870411630	14	4
E0870411650	14	8
E0870411670	14	6
E0870411690	14	3
E0870422600	15	8
	16	8
E0870422900	15	22
	16	22
E0870423150	15	1
E0870423250	15	3
E0870423350	15	4
E0870423450	15	6
	16	6
E0870423500	15	7
	16	7
E0870423600	15	9
	16	9
E0870423710	15	23
	16	23
E0870423800	15	24
	16	24
E0870424100	16	1
E0870424200	16	3
E0870424300	16	4
E0870431400	12	4
	13	4
E0870431500	12	5
	13	5
E0870431810	15	50
	16	50
E0870431820	15	25
	16	25
E0870432100	12	1
E0870432200	12	2
	13	2
E0870432300	12	3
	13	3

PARTS No.	Fig.	Ref.No.
E0870432600	12	6
	13	6
E0870434100	13	1
E0870441010	17	2
E0870441020	17	3
E0870451100	46	1
E0870451102	46	2
E0870451600	46	20
E0870451620	46	21
E0870467010	48	1
E0870467020	48	2
E0870467040	48	4
E0870467050	48	5
E0870467060	49	4
E0870467070	49	5
E0870467080	49	6
E0870467090	48	6
E0870467100	48	7
E0870467130	49	8
E0870467140	49	9
E0870467150	49	10
E0870467160	49	44
E0870467180	49	7
E0870467200	48	3
E0870467210	49	10 -1
E0870491510	18	3
E0870520560	25	2
	26	2
E0870520611	25	1
	26	1
E0870603136	52	2
E0870603137	52	5
E0870604501	50	14
E0870604502	50	31
E0870604510	50	2
	52	9
	53	5
E0870604520	50	3
	52	10
	53	6
E0870604530	50	4
E0870604540	50	5
E0870604550	50	6
E0870604560	50	7
	52	11
E0870604570	50	8
	52	12
	53	7
E0870604580	50	9
	52	13

PARTS No. INDEX

PARTS No.	Fig.	Ref.No.
E0870604590	50	32
	52	37
E0870604600	50	1
E0870605011	52	18
E0870605021	52	36
E0870605100	52	1
E0870605300	52	8
E0870605402	53	2
E0870605404	53	4
E0870605410	53	3
E0870605420	53	15
E0870605500	53	1
E0870621010	51	1
E0870630010	36	1
E0870630020	35	5
	36	2
E0870630510	35	1
E0870630520	35	2
E0870630530	35	3
E0870630540	35	4
E0870690001	52	3
		6
E0870690101	52	4
		7
E0870702400	25	3
	26	3
E0870702540	22	6
E0870702550	22	20
	23	18
E0870702570	25	6
	26	6
E0870702580	25	7
	26	7
E0870702590	22	22
	23	20
E0870702600	22	23
	23	21
E0870702610	24	28
E0870702650	22	27
	23	25
E0870702660	22	28
E0870702670	22	29
	23	27
E0870702700	22	42
	23	40
E0870702710	24	42
E0870702730	22	4
E0870702740	22	33
	23	31
E0870702750	22	30

PARTS No.	Fig.	Ref.No.
E0870702750	23	28
E0870702760	25	8 -1
	26	8
E0870702770	22	5
	23	5
E0870702780	23	4
E0870702790	22	49
E0870702800	22	21
	23	19
E0870702810	23	26
E0870702820	22	38
	23	36
E0870702830	22	56
	23	50
E0870703010	24	24
E0870703020	24	25
E0870703030	24	26
E0870703040	24	27
E0870703050	24	46
E0870801510	27	19
E0870801520	27	19 -1
	28	19
E0870801600	27	1
E0870801800	28	1
E0870801900	28	22
E0870811519	29	19
E0870811700	29	1
E0870811750	29	16
E0870811770	29	16 -1
E0870821516	30	6
E0870821517	30	10
	45	16
E0870823010	31	9
E0870823011	30	7
E0870823100	30	1
	32	8
E0870823102	32	9
E0870823200	31	1
	32	3
E0870823202	32	4
E0870823204	32	6
E0870823205	32	5
E0870823206	32	7
E0870823300	31	2
	32	11
E0870823302	32	12
E0870823303	32	13
E0870823400	31	3
E0870823500	31	4
	32	1

PARTS No.	Fig.	Ref.No.
E0870823502	32	2
E0870823550	31	4 -1
	32	1 -1
E0870823552	32	2 -1
E0870823600	31	5
	32	20
E0870823602	32	21
E0870823650	31	6
	32	22
E0870823700	30	2
E0870823750	31	7
E0870823770	30	3
	32	28
E0870823772	32	29
E0870823790	30	4
	32	30
E0870823792	32	31
E0870823820	31	8
E0870823840	30	5
	32	32
E0870840300	45	10
E0870840400	45	31
E0870840450	45	11
E0870841100	45	1
E0870841150	45	2
E0870841200	45	3
E0870841250	45	4
E0870841252	45	5
E0870841253	45	6
E0870841254	45	7
E0870841300	45	8
E0870841302	45	9
E0870841350	45	12
E0870850210	33	1
E0870850230	33	2
E0870850250	33	3
E0870850260	33	4
	34	4
E0870850270	33	5
	34	5
E0870850280	33	11
E0870850310	34	1
E0870850320	34	2
E0870850330	34	3
E0870861000	40	1
E0870861100	41	1
E0870861109	41	16
E0870861110	41	17
E0870861125	42	10
E0870861300	41	3

PARTS No.	Fig.	Ref.No.
E0870861302	41	4
E0870861303	41	5
E0870861400	41	8
E0870861402	41	9
E0870861403	41	10
E0870861500	44	2
E0870861502	44	4
E0870861600	43	2
E0870861602	43	4
E0870861700	40	5
E0870890020	19	8
E0870920500	56	1
E0870920600	56	12
E0870920700	56	10
E0870930000	55	1
E0870931000	55	2
E0870932000	55	1 -1
E0870933000	55	2 -1
E0871081004	55	6
E0871082040	55	25
E0871082060	55	26
E0871082090	55	27
E0871082120	55	28
	79	10
E0871082130	55	29
E0871082140	55	30
E0871082160	55	31
E0871082170	55	32
E0871082190	55	33
	79	13
E0871082210	55	34
	79	14
E0871082220	55	35
	79	16
E0871082240	55	36
E0871082250	55	37
E0871082260	55	38
E0871082290	55	39
E0871082330	55	7
E0871082340	55	8
E0871082350	55	9
	79	17
E0871082360	55	10
E0871861650	42	13
	44	13
E0871885200	42	12
E0872106340	1	11
E0872107070	1	15
E0872108110	1	14
E0872123600	2	2

PARTS No. INDEX

PARTS No.	Fig.	Ref.No.
E0872123800	2	4
E0872123900	2	5
E0872143560	5	7
E0872153630	6	6
E0872341508	39	14
E0872411180	14	18
E0872421850	15	21
	16	21
E0872423600	15	12
E0872423610	15	13
E0872423650	15	14
E0872424500	16	12
E0872424550	16	14
E0872433150	12	52
	13	52
	15	15
		42
	16	15
		42
	48	12
	49	24
E0872433350	12	25
	13	26
E0872433700	12	7
	13	7
E0872433800	12	8
E0872433900	12	9
	13	9
E0872435300	13	11
E0872435800	13	8
E0872442530	17	4
E0872442540	17	5
E0872442560	17	6
E0872453510	47	1
E0872463100	49	51
E0872463320	49	1
E0872472010	20	1
E0872472020	20	18
E0872472030	20	21
E0872472040	20	22
E0872494010	18	1
E0872494020	18	2
E0872494030	18	4
E0872512080	8	11
E0872512120	8	12
E0872512510	8	1
E0872512520	8	2
E0872512530	8	3
E0872512540	8	4
E0872512550	8	5

PARTS No.	Fig.	Ref.No.
E0872512560	8	6
E0872512570	8	7
E0872512590	8	9
E0872512600	8	10
E0872512610	8	13
E0872512620	8	14
E0872512630	8	8
E0872512640	8	38
E0872512650	8	48
E0872512660	8	41 -1
E0872603050	50	26
	52	26
E0872603060	50	27
	52	27
E0872605070	52	28
E0872605090	1	17
	50	23
	52	32
	53	8
E0872622550	51	2
E0872622600	51	3
E0872622650	51	5
E0872622660	51	6
E0872702040	24	7
E0872702050	24	8
E0872702070	22	24
	23	22
E0872702140	25	4
	26	4
E0872702270	22	25
	23	23
E0872702280	22	26
	23	24
E0872702480	22	48
	23	46
E0872803200	27	2
	28	2
E0872803300	27	3
	28	3
E0872812032	29	28
E0872812033	29	29
E0872821700	30	11
E0872822800	32	33
E0872823009	31	10
E0872823850	32	35
E0872824000	30	8
E0872824050	30	9
E0872861115	42	2
E0872861120	44	14
E0872861124	42	9

PARTS No.	Fig.	Ref.No.
E0872861126	42	11
E0872861325	44	17
E0872861330	44	21
E0872861335	44	25
E0872861345	44	32
E0872861355	44	35
E0872861503	43	5
E0872861505	43	7
E0872861507	43	9
E0872861860	41	18
E0872862102	41	2
E0872862111	42	3
E0872862112	42	6
E0872862140	42	7
E0872862145	42	8
E0872862170	42	4
E0872862175	42	5
E0872862180	41	15
E0872862185	42	55
E0872862406	43	8
E0872862440	43	6
E0872862600	40	3
E0872870510	37	1
E0872870520	37	8
E0872870530	37	1 -1
E0872890201	19	1
E0872920200	56	13
E0872930060	55	11
E0872930070	55	12
	79	4
E0872930080	55	13
	79	8
E0872930090	55	14
	79	2
E0872930100	55	15
	79	18
E0872930110	55	16
	79	7
E0872930120	55	17
	79	22
E0872930130	55	18
	79	19
E0872930140	55	19
	79	21
E0872930160	55	20
	79	5
E0872930170	55	21
E0872930175	55	21 -1
E0872930190	55	22
	79	9

PARTS No.	Fig.	Ref.No.
E0872930220	55	40
E0872932010	55	42
E0872932020	55	41
E0872932040	79	23
E0872960320	49	52
E1100040512	32	25
E1100040514	32	17
E1100040516	43	22
E1100040610	15	27
	16	27
	30	17
E1100040612	17	31
	31	16
	32	36
	45	17
E1100040616	12	41
	13	42
	44	37
	49	26
		38
E1100040620	49	25
E1100040635	44	22
E1100040812	15	26
	16	26
	18	8
		9
E1100040816	17	32
	18	14
	29	21
	30	18
	31	17
	45	18
	48	31
	54	2
E1100040820	8	23
	17	33
	27	12
	28	12
	30	19
	31	18
	35	6
	48	13 -1
	49	27 -1
E1100040825	29	42
E1100040835	48	13
	49	27
E1100040840	8	41
	49	28
E1100040855	28	23
E1100040860	24	12

PARTS No. INDEX

PARTS No.	Fig.	Ref.No.
E1100040870	27	11
	28	11
E1100041014	2	13
E1100041016	49	46
	50	35
E1100041020	8	24
	30	20
	31	19
	45	32
	49	29
	50	33
E1100041025	8	25
	11	13
	21	7
	25	24
	26	24
	29	22
	30	21
	31	20
	34	8
	35	7
	36	3
	49	30
	53	17
E1100041030	17	35
	31	21
	35	8
	45	19
	48	15
E1100041035	48	32
E1100041040	25	23
	26	23
E1100041050	48	17
E1100041060	22	7
	23	6
	50	16
	52	20
	53	9
E1100041095	24	10
E1100041225	11	10
E1100041230	27	13
	28	13
	48	19
E1100041235	45	20
E1100041245	11	9
	48	20
E1100041430	1	23
E1100041435	1	24
E1100041440	1	25
	6	7

PARTS No.	Fig.	Ref.No.
E1100041650	45	21
E1100041840	7	3
E1100042040	50	28
	53	11
E1100090820	30	23
E1100140810	48	14
E1100141000	50	19
	52	23
	53	14
E1100141005	48	30
E1100141030	50	15
	52	19
E1100141650	5	12
E1100240630	9	9
E1100240814	10	14
	24	13
E1100240816	41	31
	42	38
	46	18
E1100240820	1	19
	10	13
		13 -1
E1100240825	9	18
	14	50
	19	15
E1100240840	14	29
E1100240857	14	28
E1100241000	48	18
E1100241014	22	45
	23	43
	24	44
E1100241016	17	34
	22	8
	23	7
	24	11
	25	30
	26	30
E1100241020	1	20
	10	15
		15 -1
	46	11
		22
	52	38
E1100241025	1	21
	10	38
	22	44
	23	42
	33	8
	51	15
E1100241030	1	38

PARTS No.	Fig.	Ref.No.
E1100241030	10	39
	46	24
E1100241035	1	39
E1100241225	1	22
E1100241430	1	26
E1100241435	50	24
	52	24
E1100242040	1	27
	52	33
E1101041020	10	15 A
E1101041235	3	18
E1101041240	5	18
E1101041435	4	18
E1101041645	25	22
	26	22
E1101041670	2	15
E1106041635	5	15
E1106041845	7	4
E1106242040	5	13
E1110040516	43	20
E1110040816	12	42
	39	11
E1110040830	30	22
E1110041035	24	9
E1110041050	48	21
E1110050510	58	18
E1110050514	58	19
E1110050820	64	7
E1110051650	25	25
	26	25
E1110141005	48	16
E1120530306	15	17
	16	17
E1120530310	12	36
	13	37
	43	21
E1120530406	20	17
		17 -1
		23
E1120530408	42	31
E1120530412	12	37
	13	38
	42	32
E1120530416	8	32
E1120530430	20	11
E1120530508	32	37
E1120530510	29	20
E1120530512	42	33
E1120530516	42	34
E1120530608	12	38

PARTS No.	Fig.	Ref.No.
E1120530608	13	39
E1120530612	12	39
	13	40
	19	10
	42	35
E1120530614	43	23
E1120530616	12	40
	13	41
	20	10
	42	30
E1120530620	42	51
	43	32
E1120540408	44	18
E1120540514	44	29
E1120540610	44	12
E1120540616	44	26
E1120590412	19	9
E1120590416	20	11 -1
E1120590510	45	34
E1120590512	45	34 -1
	47	6
E1120590610	45	35
E1120590612	45	35 -1
E1120590616	20	10 -1
E1120630412	40	14
	42	36
E1120630512	42	37
E1120630514	32	16
E1120630816	41	29
E1120730416	20	24
E1120940820	46	15
E1120990820	8	46
E1120991020	30	24
E1121050812	66	11
E1121240810	3	17
	4	17
E1122400512	18	13
	47	8
E1122530512	42	39
E1130030006	12	43
	13	43
	17	41
E1130030008	17	42
E1130030010	17	43
E1130040005	31	28
E1130040006	14	48
	15	46
	16	46
	43	30
	44	10

PARTS No. INDEX

PARTS No.	Fig.	Ref.No.
E1130040008	8	42
	11	17
	14	31
	15	33
	16	33
	28	24
	30	35
	33	15
	34	14
	49	37
		37 -1
E1130040010	10	19
	11	14
		14 -1
	15	32
	16	32
	31	29
	35	13
	36	4
	41	28
	42	40
	44	16
	46	12
	48	29
	49	39
	50	18
	51	23
	52	22
	53	13
E1130040012	10	20
	11	11
	37	9
	42	28
	53	16
E1130040014	37	4
E1130050008	57	6
E1130090010	44	7
E1130140006	9	10
E1130140010	43	31
E1130540012	51	17
E1130640020	51	18
E1131242008	42	53
	45	29
E1131540006	14	49
E1131540008	14	32
E1132030016	40	11
E1132761020	14	30
E1140010008	57	7
E1140020003	12	44
	13	44

PARTS No.	Fig.	Ref.No.
E1140020003	15	18
	16	18
	43	24
E1140020004	12	45
	13	45
	20	13
	42	41
	44	33
E1140020005	29	23
	32	18
		27
		39
	42	42
	43	25
	44	27
E1140020006	12	46
	13	46
	14	53
	15	28
	16	28
	17	36
	19	12
	20	12
	30	25
	31	22
	32	38
	42	43
	43	26
	44	23
	45	22
	49	31
		31 -1
E1140020008	1	28
	8	26
	9	20
	10	17
		17 -1
	11	19
	12	47
	13	47
	14	33
		51
	15	29
	16	29
	17	37
	18	10
	19	17
	24	15
	27	14
	28	14

PARTS No.	Fig.	Ref.No.
E1140020008	28	25
	29	24
	30	26
	31	23
	33	12
	34	11
	35	9
	39	12
	41	32
	42	44
	45	23
	46	16
	48	22
	49	32
	54	3
E1140020010	1	29
	8	27
	10	18
	11	16
		16 -1
	15	30
	16	30
	17	38
	21	6
	22	9
	23	8
	24	14
	25	27
	26	27
	29	25
	30	27
	31	24
	33	9
	34	9
	35	10
	36	5
	41	30
	42	29
	44	15
	45	24
	46	13
	48	23
	49	33
	50	34
		36
	51	16
	52	39
	53	18
E1140020012	1	30
	3	22

PARTS No.	Fig.	Ref.No.
E1140020012	5	19
	11	12
	27	15
	28	15
	45	25
	48	24
E1140020014	1	31
	4	22
	6	8
	37	5
	50	25
	52	25
E1140020016	2	16
	5	17
	25	26
	26	26
	45	26
E1140020020	1	32
	50	29
	52	34
	53	12
E1140040012	37	10
E1140090004	19	11
	20	13 -1
E1140090005	45	36
	47	7
E1140090006	20	12 -1
	45	37
E1140090008	8	47
	30	28
E1140090010	30	29
E1140330004	20	19
E1140330006	12	51
	13	51
	20	20
	42	49
E1140330008	18	15
E1140330010	10	16
	15	31
	16	31
	17	44
	46	19
E1141110003	12	48
	13	48
	43	27
E1141110004	12	49
	13	49
	42	45
E1141110005	32	19
		26

PARTS No. INDEX

PARTS No.	Fig.	Ref.No.
E1141110005	32	41
	42	46
	43	28
E1141110006	8	28
	12	50
	13	50
	19	14
		16
	30	30
	31	25
	32	40
	42	47
	43	29
	49	34
		34 -1
	51	24
E1141110008	1	33
	8	29
	9	19
	11	18
	14	34
		52
	17	39
	27	16
	28	16
	29	26
	30	31
	31	26
	35	11
	39	13
	41	33
	42	48
	45	30
	46	17
	48	25
		25 -1
	49	35
		35 -1
	54	4
E1141110010	1	34
	8	31
	10	42
	11	15
		15 -1
	17	40
	29	43
	30	32
	31	27
	35	12
	36	6

PARTS No.	Fig.	Ref.No.
E1141110010	46	14
		23
	48	26
	49	36
	53	19
E1141110012	1	35
	14	41
	45	27
	48	27
E1141110016	45	28
	51	20
E1141110020	51	19
E1141120004	20	15
	44	34
E1141120005	44	36
E1141120006	20	14
	44	19
E1141120010	44	8
E1141190004	19	13
	20	15 -1
E1141190006	20	14 -1
E1141190008	8	29 -1
	30	33
E1141190010	30	34
E1141550008	10	22
E1141550010	11	21
	33	10
	34	10
	48	28
E1141550012	1	36
	3	23
	10	34
	27	17
	28	17
E1141550014	1	37
	4	23
E1141550016	5	16
E1141550018	7	5
E1210000430	40	12
E1210010440	14	36
E1210010563	51	22
E1212001025	5	20
E1213000510	25	28
	26	28
E1213000540	9	8
E1213010430	37	7
E1214000005	9	16
E1214000006	9	17
	14	35
E1214000008	31	14

PARTS No.	Fig.	Ref.No.
E1214000010	31	13
E1214000012	14	40
	51	21
E1220000030	2	11
E1220000035	50	20
	52	31
E1220000055	64	6
E1221000062	2	9
E1221000065	2	10
E1224010004	8	21
	32	42
E1224010006	8	22
E1224010012	8	44
E1225000005	9	21
E1225000006	14	54
E1225000008	14	42
E1225110012	37	11
E1225110014	37	6
E1225121020	14	37
E1300006206	2	8
E1305000001	5	11
E1305000003	3	16
	4	16
E1333001215	14	17
E1333001515	14	7
		9
E1333002015	9	4
E1333002020	51	4
E1333002025	14	5
E1333006030	66	9
E1340010060	14	44
E1340010065	14	45
E1340010080	14	23
E1340010085	14	24
E1340600200	51	13
E1390020350	66	10
E1390020450	62	8
E1400403739	25	21
	26	21
E1420000150	58	13
E1420000250	60	3
E1420010080	62	6
E1420010110	22	14
	23	12
	63	7
E1420010180	22	15
	23	13
	25	17
	26	17
E1420010240	22	16

PARTS No.	Fig.	Ref.No.
E1420010240	23	14
E1420010290	22	17
	23	15
E1420010950	24	4
E1420100500	5	14
	27	5
	28	5
E1420100600	2	12
E1420101650	28	26
E1420102600	27	4
	28	4
E1420110350	25	16
	26	16
E1420110450	25	15
	26	15
E1420310015	58	23
E1420310017	62	4
E1420310020	58	24
E1420310114	59	8
	63	4
E1420310119	59	9
	63	3
E1420310214	24	17
E1420360324	3	19
	4	19
E1421010950	24	5
E1421020150	58	20
E1421520015	58	25
E1421520114	59	10
	63	5
E1431010060	28	9
E1431203562	2	7
E1432200040	3	5
E1432200050	1	2
	4	5
E1432500660	3	15
	4	15
E1432500920	5	10
E147794030	68	6
E1501500003	29	18
E1501750010	27	8
	28	8
E1501810001	3	21
	4	21
	5	9
	22	51
	23	48
E1501820002	3	21 -1
	4	21 -1
E1501910404	48	10

PARTS No. INDEX

PARTS No.	Fig.	Ref.No.
E1508010010	22	19
	23	17
E1511050001	50	13
	52	17
E1511150001	50	30
	52	35
E1512375001	8	37
E1515010040	8	43
	21	4
	24	23
	25	11
	26	11
E1515010041	24	22
E1515010043	21	3
E1515010052	25	10
	26	10
E1515010132	21	2
E1515600200	8	33
	24	19
	25	9
	26	9
E1515600203	22	18
	23	16
E1515600504	22	47
	23	45
E1515600577	21	5
E1515600579	24	20
E1521500003	29	6
E1530506017	22	32
	23	30
E1530509063	22	36
	23	34
E1530509120	22	37
	23	35
E1530512053	22	57
E1530526035	24	45
E1530532041	23	37
E1530532046	22	39
E1530532064	22	35
	23	33
E1530532070	22	41
	23	39
E1530532090	22	46
	23	44
E1530532105	22	40
E1530532110	22	34
	23	32
E1530532173	23	38
E1530738065	24	40
E1531010004	15	51

PARTS No.	Fig.	Ref.No.
E1531010004	16	51
E1531010029	29	8
E1531010060	27	9
E1531010115	29	11
E1531110025	49	22
E1531118027	29	30
E1531118180	29	32
E1531118230	29	31
E1531208035	29	12
E1531209047	29	9 -1
E1531209200	29	17 -1
E1531209250	29	10 -1
E1531210047	29	9
E1531210200	29	17
E1531210250	29	10
E1531212080	10	24
E1531213038	29	13
E1531325042	22	54
E1531325058	22	53
E1531354075	46	8
E1532210037	49	41
E1532210065	24	21
E1532210160	49	40
E1532210180	49	43
E1532210230	49	42
E1532212110	15	45
	16	45
E1532218037	49	41 -1
E1532218210	49	40 -1
E1532218250	49	42 -1
E1532218260	49	43 -1
E1532224030	17	17
E1533001014	49	21
E1533011070	47	4
E1533120014	10	23
E1533201006	33	14
	34	13
E1533201014	33	13
	34	12
E1533201024	11	20
E1533551006	24	18
E1533700015	22	10
	23	9
E1533700017	22	11
	23	10
	27	10
	28	10
	29	14
E1533700022	29	15
E1533700025	22	12

PARTS No.	Fig.	Ref.No.
E1533700033	22	52
	23	49
E1533700045	24	47
E1533700051	22	13
	23	11
E1533700057	24	16
E1533700090	10	35 -1
E1533700127	10	36 -1
E1540140810	22	2
	23	2
E1540140815	22	1
	23	1
E1541400508	27	20
	28	20
E1541400510	2	14
E1550210000	28	7
E1550210375	27	7
E1551102100	24	2
E1551102103	24	3
E1551102106	24	6
E1552002012	29	5
E1552100900	29	4
E1553020685	27	6
	28	6
E1553200600	29	3
E1554230010	27	18
	28	18
E1560001000	3	20
	4	20
	50	11
	52	15
E1560001675	1	18
E1560006175	50	12
	52	16
E1560011006	14	39
	51	12
E1567405020	47	3
E1602020500	25	20
	26	20
E1621002045	48	9
E1630771167	9	11
E1630782090	14	43
E1650100415	8	17
E1650107415	8	17 -1
E1650203800	9	7
E1650203900	14	27
E1650204100	8	15
E1650204200	8	16
E1651005030	40	10
E1651014008	10	12

PARTS No.	Fig.	Ref.No.
E1651040580	10	10
E1651101042	31	11
	41	19
	43	17
E1651101225	42	17
E1652001602	20	7
E1652002202	20	8
	42	26
E1652003200	44	9
E1652022506	22	43
	23	41
	24	41
E1652030001	12	33
	13	34
E1652041515	20	9
E1652043030	32	23
E1652051200	15	20
	16	20
E1652052000	15	49
	16	49
E1652052600	15	44
	16	44
E1652053001	46	10
	49	45
E1652053400	14	25
E1652053800	17	23
E1652060063	12	34
	13	35
	15	36
	16	36
E1652101811	43	19
E1652200003	15	19
	16	19
E1652200004	49	48
E1652200005	49	49
	49	-1
E1652201003	20	16
E1652201004	17	25
E1652201005	43	34
E1652221050	18	12
	42	25
E1652231100	15	35
	16	35
E1652231140	49	50
E1652231250	22	55
	49	53
E1652241300	15	47
	16	47
	18	11
E1652241400	10	45

PARTS No. INDEX

PARTS No.	Fig.	Ref.No.
E1652261410	47	5
E1652515100	31	12
E1652533002	38	3
E1652533003	12	53
	13	53
E1652533019	12	54
	13	54
E1652601601	44	31
E1652711698	12	35
	13	36
E1653110330	42	22
E1653182720	42	50
E1653691350	42	20
E1653691970	40	13
E1653692880	32	15
E1653692887	32	15 -1
E1653692890	42	23
E1653900016	32	24
		34
E1653901140	45	13
E1653916007	49	20
E1653917010	15	48
	16	48
E1654000810	42	21
E1654000820	32	14
E1654004701	42	24
E1654004800	42	19
E1654005000	36	7
	41	20
	45	33
E1654005300	43	11
E1654005350	43	10
E1654005400	42	14
	45	14
E1654005600	44	11
E1654005900	44	6
E1654006000	42	15
	45	15
E1654007000	41	6
E1654007200	41	7
E1654007500	41	11
E1654007600	41	12
E1654008800	44	28
E1654009300	44	20
E1654009400	42	27
E1654040100	43	16
E1654262270	41	22
E1654262295	41	21
E1654262310	44	5
E1654262342	43	18

PARTS No.	Fig.	Ref.No.
E1654262387	41	23
E1654301003	42	54
E1654302450	49	23
E1654305002	12	10
	13	10
E1654305009	40	8
E1654305090	40	7
E1654305100	40	6
E1654308090	40	15
E1654308100	40	9
E1654309030	17	26
E1654520035	30	15
E1654520038	30	16
E1654520067	30	14
E1654520068	32	10
E1654520086	41	26
E1654520140	31	15
E1654520245	41	27
E1654520303	41	24
E1654605018	10	40
E1654605034	10	43
E1654605081	44	24
E1654605135	10	41
E1654605338	41	25
E1654613032	15	37
	16	37
E1654613035	18	7
E1654613061	15	39
	16	39
E1654618076	43	12
E1656500040	37	2
E1656500080	37	3
E1656500090	37	3 -1
E1690002427	56	5
E1690100013	56	6
E1691000800	56	8
E1691400003	56	11
E1700000026	8	40
E1700000029	12	17
	13	18
E1700000030	12	15
	13	16
E1700000031	12	14
	13	15
E1700000032	12	16
	13	17
E1700001211	12	18
	13	19
E1700100003	17	19
E1700100015	25	18

PARTS No.	Fig.	Ref.No.
E1700100015	26	18
E1700100029	12	19
	13	20
E1700100030	12	20
	13	21
E1700100037	13	55
E1700100038	13	56
E1700550019	12	21
	13	22
E1701203400	12	22
E1701203600	13	23
E1702003041	17	18
E1702090107	17	1
E1702108260	17	21
E1702260035	17	10
E1702560240	17	9
E1702605070	17	8
E1702660075	17	7
E1702700002	77	23
E1702700004	77	24
E1702901282	17	14
E1702920001	17	15
E1702920002	17	16
E1703001750	42	18
E1703001751	42	18 A
E1703004800	18	5
E1703004806	18	6
E1703004900	33	6
	34	6
E1703004904	33	7
	34	7
E1703005400	18	16
E1703005405	18	17
E1703210718	48	11
E1703210720	77	25
E1703211022	20	6
E1703211563	17	11
E1703211578	17	12
E1703241508	17	13
E1703500624	15	40
	16	40
E1703500724	15	41
	16	41
E1703700004	54	1
E1704008324	43	13
E1704140400	43	14
E1704206450	43	15
E1704400001	43	33
E1705001970	20	5
E1705001980	20	4

PARTS No.	Fig.	Ref.No.
E1705002150	20	3
E1705002200	20	2
E1705002800	20	2 -1
E1711900032	12	23
	13	24
E1711900039	12	32
	13	33
E1711900049	13	57
E1711910014	19	5
E1711910040	19	4
E1711910061	19	2
E1711910062	19	3
E1711919140	19	6
E1711919180	19	7
E1720200203	17	29
E1720200301	17	27
E1720200302	17	28
E1720200579	17	30
E1730000500	12	24
	13	25
E1730100040	12	26
	13	27
E1730110050	12	27
	13	28
E1730140270	12	28
	13	29
E1730140490	12	31
	13	32
E1730140580	12	29
	13	30
E1730140581	12	30
	13	31
E1730500007	15	2
		5
	16	2
		5
E1730500012	15	16
	16	16
E1801002027	25	14
	26	14
E1801002033	25	13
	26	13
E1801002050	24	34
E1801022154	24	35
E1801022180	24	36
E1801024032	25	12
	26	12
E1801026050	22	31
	23	29
	24	32

PARTS No. INDEX

PARTS No.	Fig.	Ref.No.
E1801032180	24	31
E1801032210	24	37
E1801032224	24	43
E1801052047	8	35
E1801052051	8	36
E1801056088	24	33
E1801520151	24	38
E1801520174	24	39
E1801600108	24	29
E1801601144	24	30
E1900063906	66	6
E1900063926	66	12
E1900071403	65	4
E1900071406	65	5
E1900071409	65	7
E1900071414	65	8
E1900071426	65	9
E1900071427	65	10
E1900071428	65	11
E1900071499	65	2
E1900071501	66	4
E1900071503	66	5
E1900071507	66	7
E1900071607	66	8
E1900072800	6	9
	66	1
E1900072899	66	3
E1900072900	6	10
	66	2
E1900073400	50	10
	52	14
	65	1
E1900073401	65	3
E1900073407	65	6
E1901034331	58	3
E1901034354	58	15
E1901034357	58	8
E1901034364	58	2
E1901034366	58	7
E1901034371	59	6
E1901034372	58	21
	59	5
E1901034374	58	6
E1901034378	58	4
E1901034381	58	10
	59	2
E1901034382	58	11
	59	3
E1901034383	58	12
	59	4

PARTS No.	Fig.	Ref.No.
E1901034800	21	1
	57	1
E1901034803	57	3
	59	1
E1901034804	57	4
	60	1
E1901034806	57	5
E1901034810	57	2
	58	1
E1901034821	58	22
E1901034822	59	7
E1901034841	58	14
E1901034846	58	17
E1901034857	58	16
E1901034862	58	5
E1901034872	60	2
E1901727600	8	18
	61	1
E1901727610	61	2
E1901727611	61	3
E1901728403	64	5
E1901729100	24	1
	62	1
E1901729102	62	2
E1901729103	62	5
E1901729105	62	7
E1901729112	62	3
E1901729200	8	19
	64	1
E1901729201	64	3
E1901729202	64	4
E1901729299	64	2
E1901729300	22	3
	23	3
	63	1
E1901729302	63	2
E1902900905	63	6
E1902903602	58	9
E1910029032	10	26
E1911204076	10	29
E1911238318	10	37
E1911500500	46	7
E1911503000	46	6
E1911503780	48	8
E1911504000	47	2
E1911504400	49	17
E1911504410	49	15
E1911504420	49	16
E1911504430	49	11
E1911504450	49	12

PARTS No.	Fig.	Ref.No.
E1911504480	49	13
E1911504490	49	14
E1911507651	46	3
E1911511860	46	4
E1911511880	46	5
E1914100060	39	1
E1914102060	39	2
E1914103060	39	3
E1914105060	39	4
E1914106060	39	5
E1914107060	39	6
E1914108060	39	7
E1914109060	39	8
E1914110060	39	9
E1914111060	39	10
X095031090	56	9
X1027105490	10	30 D
X1027105500	10	30 E
X1028007931	10	30 F
X1028007932	10	30 F-1
X1028304201	10	30 G
X1028304211	10	30 H
X1028304212	10	30 H-1
X147794511	68	8
X157102290A	10	30 C
X160511070A	10	30 I
X160905500A	10	30 A
X164011450A	10	30 B
X164404470	10	30
X164404471A	10	30 -1
X174511160	11	8
X175014680	11	7
X175014791	11	7 -1
X176014960	11	6
X177205450	10	27
X178813291	10	28
X197101670	68	7
X228311210	29	39
X228311750	29	38
X232101010	29	7
X237811620	29	34
X237812800	29	35
X237813360	29	36
X284101281	12	11
	13	12
X284201150	12	13
	13	14
X284201151	12	13 -1
	13	14 -1
X286301280	12	12

PARTS No.	Fig.	Ref.No.
X286301280	13	13
X448031080	29	33
X844901010	17	20
X900155205A	10	31
X900155206A	10	32
X901913101	29	37
X965913110	29	40
X965914104	29	41
X976901113	10	36
X976960102A	10	33
X976994102	10	35



YANMAR CO., LTD.