

Double Ended Shear Beam Load Cell, Model - DESB70

Description

Capacities :(Emax)
19,34t

Output :
2.0mV/V
Digital:1,000,000d.

Material of elastomer :
Alloy steel

Accuracy:
C3 OIML R60.

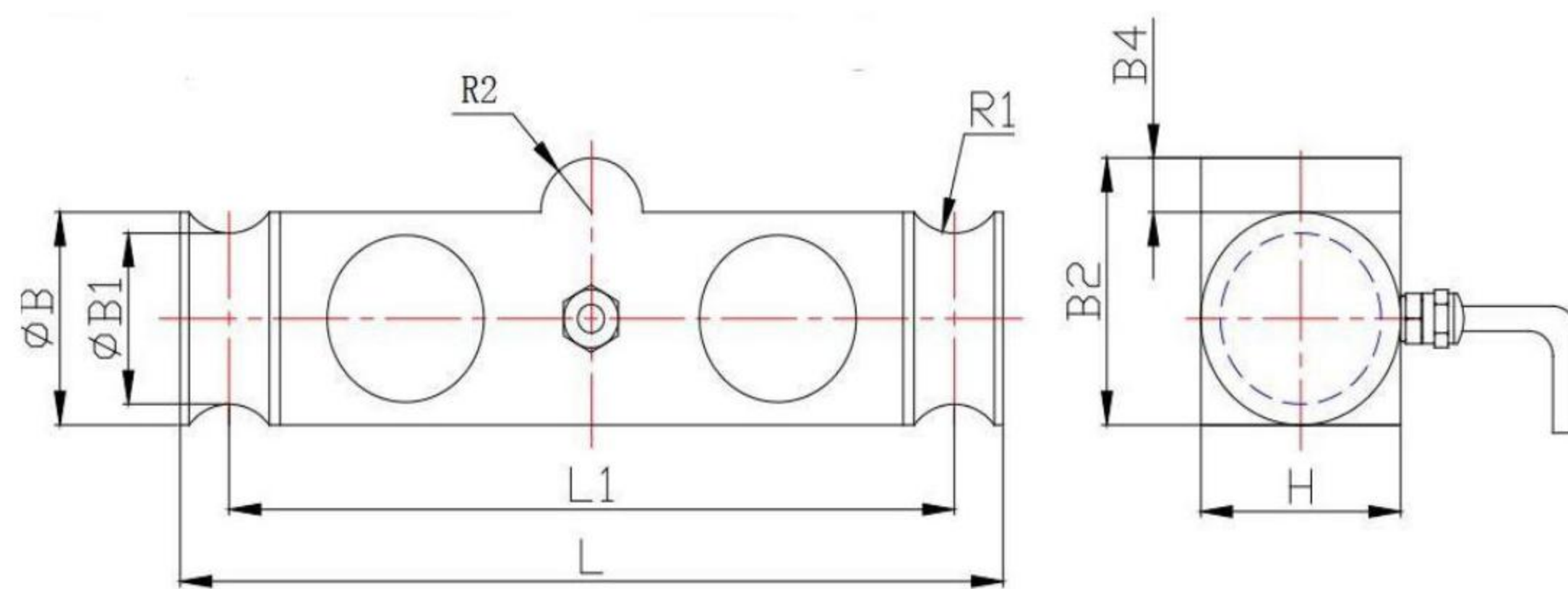
Execution standard
GB/T 7551-2008 Certificate
(eqv OIML R60)
Combined error : 0.015%

Sealed to IEC 529:
Protection grade: IP67 or IP68. Protection against total immersion in water for 30 minutes at a pressure corresponding to a 1 m head of water.



Dimensions

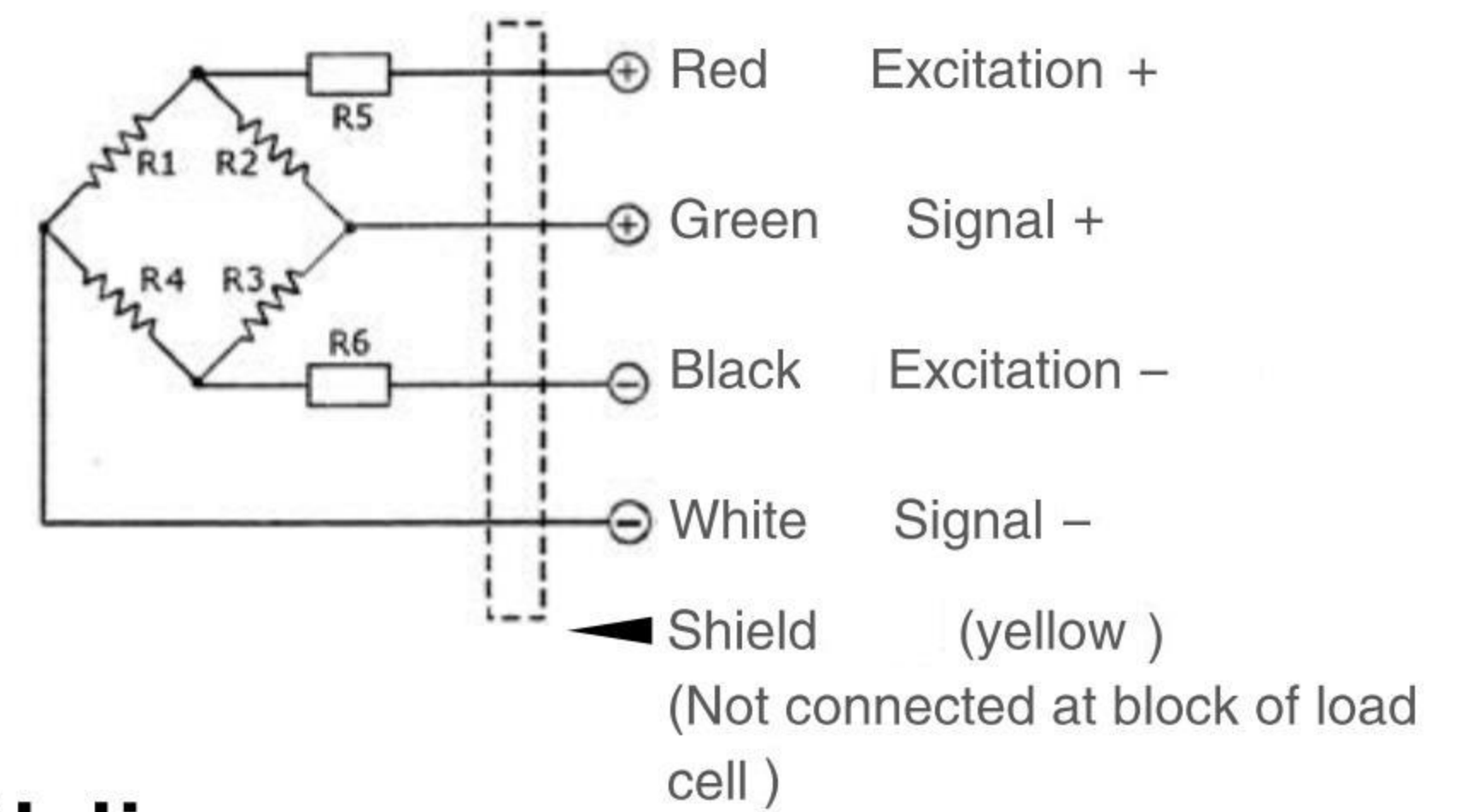
(In mm. 1mm = 0.03937 inches)



Capacity	DIMENSIONS (mm)									Weight (kg)
	L	L1	B	B1	B2	B4	H	R1	R2	
19t	210	185	51	41	64	13	51	13	13	6.8
34t	292	254	56	43	76	13	51	21	13	10.4

Circuit Diagram

Electrical Termination
4 Core cable standard lengths:
19t=12 meters, 34t=16 meters
Diameter: ϕ 6
Connection :
Refer to the following drawing.



Notice:

Do not change the length of cable, or else, it will effect the sensitivity of load cell.

Specification

Item \ Parameter	C3	Unit
Rated load (Emax):	19, 34t	t
Maximal numbers of load cell verification Intervals (Nlc):	3000	d
Minimum load cell verification intervals Intervals (Vmin):	0.01	% of rated load
Rated output	2.0±0.1%	mV/V
*Combined error	0.015	±% of rated output
Temperature effect on sensitivity	0.0012	±% of rated output/ C
Temperature effect on zero balance	0.0008	±% of rated output/ C
Zero balance	1.0	±% of rated output/
Input resistance(Ric)	750±10Ω	Ω (Ohms)
Output resistance(Ro)	702±3Ω	Ω (Ohms)
Insulation resistance	≥5000	MΩ (Mega-Ohms)
Safe overload	150	% of rated capability
Ultimate overload	300	% of rated capability
Operating temperature range	-20~+70/-20~+160	C/ F
Recommend excitation	8~15	V(DC or AC)
Maximum excitation	24	V(DC or AC)
Material of elastomer	Alloy steel	
Protection class	IP67 or IP68	

Copyright

Modifications reserved

All details describe our products in general from only. They are not to be understood as express warranty and do not constitute liability whatsoever.



www.mokalcorporation.com

The data for deviation of synthesis error,TKo,TKc are typical values.The sum of these data meets the requirements according to OIML R60.