

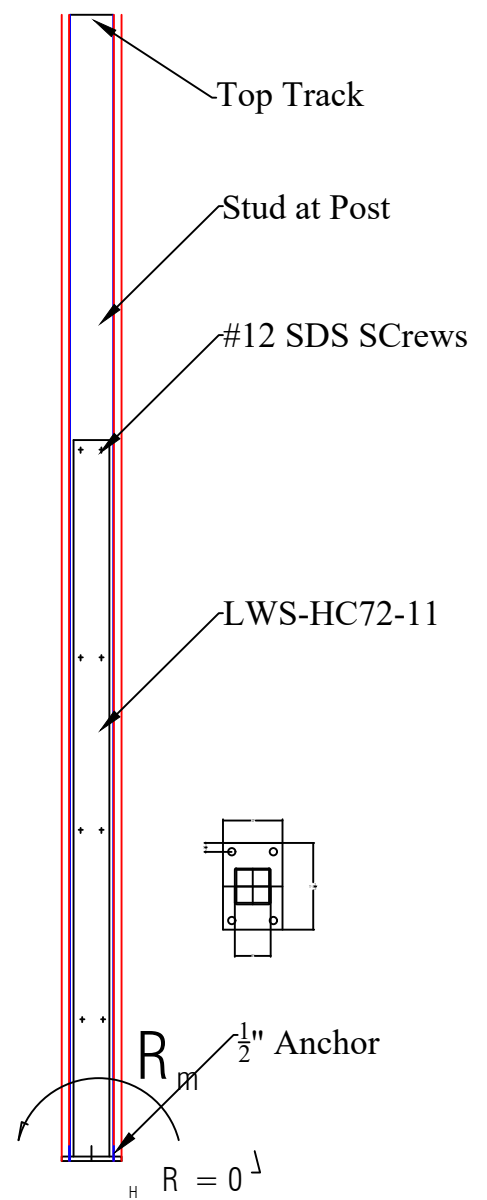
WARNING:

Read Instructions prior to each installation. One should follow OSHA guidelines for all steps associated with installation of this product.
 Do NOT drill into concrete containing but, not limited to the following: Radiant tubing, Hollow Plank, Post tension Cables, Walker Duct, Conduits, Lightweight Mixes, Use Concrete Scanning.
 One should submit this product to the Architect, Engineer of record, and building Engineer prior to use.

WARNING:

"The Original" Product No: LWS-HC72-11
 Made in Alabama, USA
Purple Post™
 a Southern Blocking "LEAN CONSTRUCTION" product (5 psf)

LWS-HC Series



Max Height	Spacing	Anchors/ per Side	Top Track	Stud at Post	Product
6'-0"	96"	1/2" - 2 -	362 T 125-43	20 ga EQ	LWS-HC72-11
7'-0"	80"	1/2" - 2 -	362 T 125-43	362 S 162-33	LWS-HC72-11
8'-0"	64"	1/2" - 2 -	362 T 125-43	362 S 162-43	LWS-HC72-11
9'-0"	48"	1/2" - 2 -	362 T 125-43	362 S 162-54	LWS-HC72-11
10'-0"	32"	1/2" - 2 -	362 T 125-43	362 S 162-54	LWS-HC72-11

- Note:
1. Low Wall Supports shall be positioned no further than 15" from each end of the wall
 2. 1/2" Expansion anchors shall have a minimum embedment of 3-1/2"
 3. 2- #12 SDS Screws shall be installed from stud to tube steel screws should be paired 2" from each end and 16" oc
 4. Concrete should have a minimum strength to support anchors
 5. Chart is for reference only - Final design to be by Engineer of record

