



# 2024 CATALOG



[www.jk-cabinetry.com](http://www.jk-cabinetry.com)

# J&K CABINETS

J&K Cabinets was founded in 2003 with a vision to provide businesses with affordable, high-quality cabinetry that would elevate the value of their projects.

Since then, we've become one of the leading distributors of wholesale kitchen and bathroom cabinetry in the United States, with distribution centers and showrooms nationwide.

Our commitment to quality craftsmanship, innovative design, exceptional lead times and operations has made us the go-to source for builders and contractors of any size.







# CONTENTS

---

Why Choose J&K.....	4
Additional Services.....	5
Door Styles & Finishes .....	6
Superior Construction .....	9
Environmental Commitment .....	10
Maintenance & Care .....	11
5-Year Warranty.....	12
Gallery .....	14
J&K Specification & Nomenclature .....	29
J&K Cabinet Dimensions.....	30
Base Cabinets.....	31
Wall Cabinets .....	36
Pantry & Oven & Hood.....	42
Bathroom Vanities .....	44
Dummy Doors & Panels .....	47
Fillers & Moldings.....	49
Accessories .....	51

# J&K CABINETS HIGHLIGHTS

---



## High Quality Solid Wood Cabinetry

All of our cabinets are crafted from 100% Birchwood and Plywood. We focus on providing a high quality cabinet from top to bottom so we do not use any MDF, HDF, Particle Boards, or other cheap materials in any of our cabinetry.



## 5-7 Day Average Lead Time on All Orders

We pride ourselves in having one of the most consistent and reliable lead times in the industry. We have multiple locations and large warehouses full of stocked inventory that is ready to be assembled or shipped out quickly.



## 15+ Different Colors & Finishes Available

We have one of the largest selection of ready-to-assemble (RTA) color options in the nation and it's continuing to get bigger as we introduce a new color or finish multiple times a year.



## Nearly 500 Individual SKUs Per Color

Popular RTA cabinetry brands typically offer 100-200 individual SKUs while here at J&K Cabinetry we offer nearly 500! We are consistently adding new items to our catalog so please make sure to reach out to our team if you don't see what you are looking for in this version of the catalog.



## Semi-Customizable

Due to our large collection of items and sizes, we are able to offer semi-customizable options to fit even the most unique types of projects. Please contact us with any semi-custom inquiries and our team of professionals can make these changes in-house for an industry low cost.



## Premium Features Come Standard on All Cabinets

All of our cabinets come with soft-close, full-extension drawers with concealed undermount, dovetail construction, and many more premium features that are sought after by every homeowner at no extra cost.



## Over 250,000+ Sq Ft of Combined Warehouse Space

With a focus on providing efficient lead times and a variety of options, our team heavily invests in our infrastructure in order to be able to maintain our quality of service. We constantly add additional warehouses each year which continuously increases our logistics and operational abilities to better serve our clients.



## Over 6+ Months of in-Stock Inventory Ready To Be Assembled

We make sure that we can supply any and every job that our client's can provide. We consistently invest heavily into keeping a large of ready-to-pull inventory at each of our locations.

# ADDITIONAL SERVICES

At J&K Cabinetry, we do our best to support our clients and provide a long list of benefits that can help reduce the amount of workload and time that it takes to complete a project. That's why we offer industry low rates on cabinet assembly, modifications, and we offer many other free benefits that many of our clients say that it makes their job much easier.



## **\$20 Assembly Fee Per Cabinet**

Our team of professional builders will assemble any sized cabinet for a fixed low cost per cabinet. By having our team build your cabinets in-house, it can help save your team a lot of time and ensure that every cabinet is assembled correctly out of the box without issues.



## **\$75 Semi-Custom Modification Fee**

Due to our large collection of SKUs and sizes, we are able to make semi-customizations to our cabinets at our warehouses. If you are in-between sizes or have a special request contact our team to discuss what the possibilities are.



## **Free Layout Designs**

We have a team of in-house professional designers that can create kitchen and bathroom layouts based on your customer's measurements. Simply send us the specifications of the job and our team will do the heavy lifting for you at no extra cost.



## **Flexible Claims Process**




We understand that accidents may occur during the ordering or delivery process so we make our claim process as efficient and hassle-free for your team as much as possible. Please contact your sales representative or your local J&K location to discuss your claims.

## 5 YEAR LIMITED WARRANTY




All J&K cabinets are covered by our 5 Year Limited Warranty.  
For more details please visit page 12.

## CONTACT ONE OF OUR LOCATIONS BELOW TO LEARN MORE




### **Austin, Texas**

 10508 Boyer Blvd,  
Suite A Austin, TX 78758  
 [austin@jk-cabinetry.com](mailto:austin@jk-cabinetry.com)  
 (512)-520-5108




### **Dallas, Texas**

 2250 Lyndon B Johnson  
Fwy #100 Dallas, TX 75234  
 [dallas@jk-cabinetry.com](mailto:dallas@jk-cabinetry.com)  
 (972)-247-6414

### **Houston, Texas**

 6615 Roxburgh Dr #100  
Houston, TX 77041  
 [houston@jk-cabinetry.com](mailto:houston@jk-cabinetry.com)  
 (713)-466-3800

### **Nashville, Tennessee**

 512 Salyers Drive Building  
300 La Vergne, TN 37167  
 [nashville@jk-cabinetry.com](mailto:nashville@jk-cabinetry.com)  
 (615)-257-4118

# DOOR STYLES & FINISHES

---

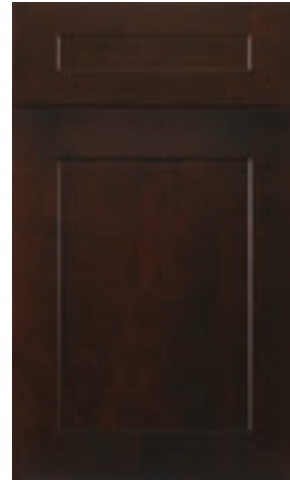
## S-SERIES



White Shaker **S8**



Castle Grey **S5**



Java Coffee **S1**

## E-SERIES

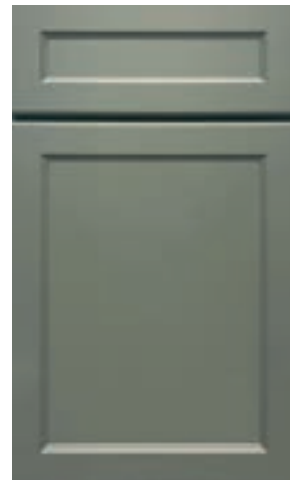
*Constructed with plywood center panels*



Dove **E1**



Charcoal **E2**



Sage **E3**

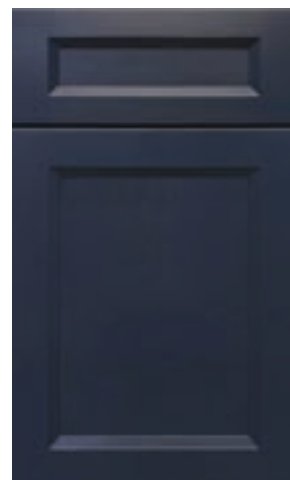
## B-SERIES



Pure **B5**



Pebble **B6**



Naval **B7**

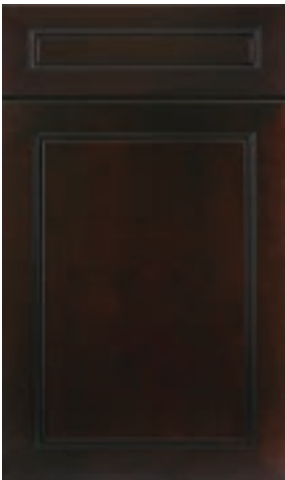
The photography and color samples shown in this specbook have been reproduced as accurately as printing technologies permit and are for representation only. To ensure the highest satisfaction, we strongly recommend you visit our locations or order a sample to view an actual product prior to ordering cabinetry.

Natural wood characteristics such as gum pockets, streaks, and pin knots may be visible, particularly with some of our light paints. These characteristics tend to be more pronounced on the backs of our drawers and doors.

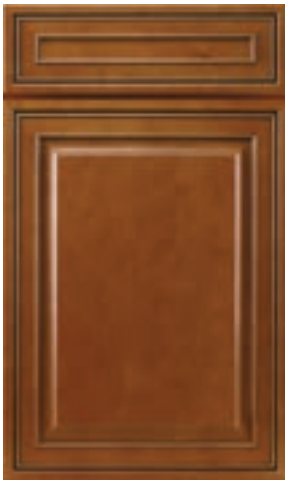
# K-SERIES



Greige **K3**



Espresso **K8**



Mocha Glazed **K10**

# H-SERIES



Hazel **H8**



Pearl Glazed **H9**

# OTHERS



Creme Glazed **A7**



Chocolate Glazed **M01**



Mahogany **J5**



# FINEST FURNITURE FINISHES

## J&K'S SOLID WOOD CABINET FINISHES ARE PROCESSED THROUGH THE FOLLOWING EXCELLENT CRAFTSMANSHIP DETAILS:

- The finest solid wood is sanded until smooth and vacuumed.
- An equalizer stain is applied to balance the base color of the wood.
- A toner is applied to establish color uniformity.
- A deep penetrating stain is applied to reveal the hidden beauty of the natural grain.
- All stained surfaces are hand-rubbed, and excess stain are wiped then slowly air-dried.
- A wood sealer is applied, penetrating all exposed wood surfaces for uniform protection.
- All surfaces are hand-sanded, providing a smooth, consistent surface.
- A glaze is applied by hand (if applicable).
- A color consistency examination is performed with additional touch-ups, if needed.
- A final protective top coat is applied, maximizing resistance to scuffing, moisture, fading and most household chemicals.

## NATURAL WOOD CHARACTERISTICS:

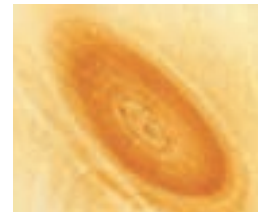
- *All solid wood may contain natural "imperfections," such as variations in color, grain, mineral streaks, and knots.*



*Arce*



*Burl Grain*



*Open Knots*



*Bird's Eye*



*Mineral Streaks*



*Heartwood*





# SUPERIOR CONSTRUCTION, STANDARD EXCELLENCE

At J&K, we believe in unwavering quality. That's why we proudly build each cabinet and vanity from 100% solid wood, ensuring exceptional durability and timeless beauty. But our commitment to excellence doesn't stop there. Every J&K piece comes standard with the following features:



### • Solid Wood Door Panel

3/4"-thick solid birch wood or plywood center panels; full overlay door.

### • Full Plywood Box

1/2" to 5/8"-thick cabinet-grade plywood; clear coat finish on interior sides; matching color finish on exterior sides



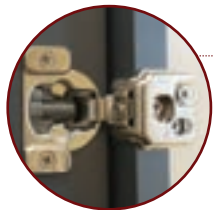
### • Plywood Adjustable Self

5/8"-thick cabinet-grade plywood; clear coat finish on all sides and edges; with metal shelf rests.



### • Dovetail Drawers

1/2"-thick solid wood on all sides with dovetail construction.



### • Soft Close Door Hinges

6-way adjustable; soft-close metal; hidden Euro-style.



### • Concealed Undermount

3/4 to full extension pull out; soft close metal; and concealed under-mount roll tracks.



### • Quiet Door Bumpers

Promote quiet-closing and reduce slamming for maximum durability.



### • Premium Metal Bracket

Metal corner bracket reinforcements in base cabinets for maximum stability.

TILT-OUT TRAYS HAVE BEEN ANOTHER UPGRADE AND STANDARD FEATURE IN ALL OF J&K'S KITCHEN SINK BASE AND VANITY SINK CABINETS.



*As we continue to improve our product qualities and designs, the actual functionality of Door Hinges and Drawer Glides may vary slightly between existing and newest product styles and finishes.*

# ENVIRONMENTAL COMMITMENT

---

J&K Cabinetry believes that a healthy environment is the backbone to the happy lives of our customers and our society. In addition to its continued effort to improve product qualities and values, J&K is committed to providing environmental-friendly and healthy products.

J&K products' hardwood-plywood materials are "EPA TSCA Title VI Compliant," also known as "CARB 2 Compliant" for formaldehyde. J&K also uses AkzoNobel, a leading global company in sustainable paints and coatings, for its cabinet finishes.



**AkzoNobel**



# MAINTENANCE & CARE

---

## GENERAL INFORMATION

1. As a general rule, keep all cabinet surfaces dry at all times.
2. Cabinet surfaces shall be dried immediately with a soft, lint-free cotton cloth.
3. Avoid using a dish cloth or sponge. Avoid ammonia-based cleaners and soaps with dye. Harsh detergent residues may harm cabinet finishes.
4. As with all wood products, quick temperature changes and excessive moisture can be harmful to the cabinet finish and overall cabinet stability.

## BASIC CLEANING:

1. To remove dust after installation and for initial cleaning, use a soft, lint-free cotton cloth to wipe down all exterior and interior surfaces.
2. For regular basic cleaning, use a soft, lint-free cotton cloth dampened with a mild detergent or soap and warm water.
3. For best results, use a blotting action rather than a wiping motion, when cleaning.
4. Wipe up food spills and water spots immediately with a lint-free cotton cloth, so moisture is not absorbed into the cabinet surfaces.

## CLEANING OF GLASS DOOR INSERTS:

1. Use a household glass cleaner with a soft, clean cloth.
2. Apply the glass cleaner directly to the cleaning cloth rather than on the glass or mirror.
3. Avoid excess glass cleaner running into the cabinet joints.
4. Ammonia should never be used in full strength.

## BASIC CARE & THINGS TO AVOID:

1. When in doubt of a cleaner's suitability, DO NOT USE.
2. Never use scouring pads, steel wool, wire brushes or powdered cleansers.
3. Never leave a cloth moistened with cleaner on any cabinet surface for any length of time.
4. Check the areas around the sink and dishwasher to make sure that water and detergents do not dry on the cabinet surfaces.
5. Avoid draping wet or damp dish towels over doors of the base cabinets.
6. Do not attach towel racks to the interior of cabinet doors.
7. Avoid placing small kitchen appliances where the heat or steam is directed onto cabinet surfaces.
8. Do not leave printed materials (newspapers, magazines, etc.) on the cabinet surfaces, as the printing can bleed into the cabinet finish.



# J&K FIVE YEAR LIMITED WARRANTY

---

J&K CABINETS (“J&K”) extends the following limited warranty on all cabinets sold by J&K within the United States and Canada. This Limited Warranty is only applicable to Products sold to the original purchasing consumer on or after January 1, 2019. J&K warrants that all cabinets purchased from J&K will be free from all unnatural defects in material and workmanship in accordance with J&K quality standards sheet under normal residential use for 5 years from the date of the original purchase or as long as the original purchasing consumer owns the home in which such cabinets are installed, whichever is less. This warranty is non-transferable to subsequent owners of the home. Door hinges and all drawers glide system, including system hardware (lift system), however, are warranted for only 1 year under normal residential use from the date of the original purchase. PLEASE NOTE: this limited warranty is only applicable to products purchased directly from authorized retailers or distributors. Warranty claims for products purchased from online retailers, auction websites, any unauthorized third-party sellers may not be honored. We strongly recommend purchasing our products from authorized sellers to ensure the validity of the warranty.

**THIS LIMITED WARRANTY IS SUBJECT TO ALL LIMITATIONS, EXCLUSIONS, DISCLAIMERS, AND PROCEDURES SET FORTH HEREIN.**

The warranty does not cover defects caused by improper handling, storage, dirt, chemicals, abrasive or citrus cleaning products, installation, assembly or disassembly, transit or other intentional or negligent damage, product modifications, exposure to the extreme moisture, humidity or excessive heat or cold (temperature outside the range of 50-85°F and humidity outside the range of 30-55% are considered extreme), nor does it cover defects arising from normal wear and tear, misuse, neglect, accidents, alterations, improper use, exposure to improper loads, or failure to maintain properly. Any modification to the hardware structure or finish of the original consumer purchaser's cabinetry by anyone other than those specifically authorized by J&K to do so shall void this limited liability warranty. The product must be used exclusively for its intended purpose in order to be covered by this limited liability warranty. This limited liability warranty shall become void if the cabinets or any components or parts thereof are in any way modified, improperly installed or damaged prior to or during installation, or installed or used in other than normal residential applications.

Natural woods may vary in color, grain pattern, and characteristics and exhibit subtle changes as they age. Wood characteristics that naturally occur, such as variations in color, grain, mineral streaks and knots, are not considered defects. J&K will not be held responsible for these variations in your cabinetry. For example, painted doors, drawer fronts, and face frames may eventually have visible cracking around the joint area, and cabinet colors may darken or lighten over time. These conditions are considered a normal occurrence and are not included or covered by this limited liability warranty. A glazed finish by character is an uneven finish. Some edges and profiles will have heavier hang up than others and glazing may vary cabinet to cabinet, door to drawer and item to item. This may result in overall color variations but is not considered a defect. UV light, Sunlight, smoke, household cleaners, and other environmental conditions may also affect the color and integrity of the Product's finish or appearance over time. These variations are considered to be the nature of the material in relation to their environmental exposure and are not considered defects in material or workmanship and are not covered under this Limited Warranty.

Mitered door joints in particular are likely to react to conditions of their environment. Gaps that may develop in door joints due to conditions of their environment are not included or covered by this limited liability warranty. This limited liability warranty does not cover or apply to hairline cracks of cabinetry; hairline cracks are unavoidable in wood cabinets given the nature of the material. Every species and grade of solid wood behaves in such a way as to eventually result in hairline cracks.

Wood is wood and expansion and contraction still happen year after year as it compensates and adjusts to ever changing atmospheric humidity and temperature conditions. Observing shrink, expansion on center panels of doors is very common. It will return to its natural position within couple months once it has adjusted to seasonal changes. For the same reason, all door warpage greater than ¼" will be warranted. Please remove all doors and check them on a flat surface for the above stated warpage before requesting replacement.

Warranty Performance. J&K periodically updates and makes changes to its product line and specifications. If a warranty claim is filed during the warranty period against obsolete or changed product and repair is not possible, J&K will, at its sole option, repair or replace the part under warranty with a new part of the same style or with a similar style currently offered and does not include or cover any other costs, including but not limited to any costs of service, labor, shipment, transportation, removal or installation related to the repair or replacement. J&K is not responsible for a replacement product that may not match the installed product exactly. If a manufacturing defect occurs within this limited liability warranty's terms and conditions and J&K determines to replace the defective cabinet or component or part thereof, J&K will ship the replacement cabinet or component or part thereof to the original consumer purchaser via ground shipper or freight carrier, at J&K's sole discretion.

**DISCLAIMER OF OTHER WARRANTIES:**

THIS WRITING IS THE COMPLETE AND EXCLUSIVE REMEDY FOR ANY ORIGINAL CONSUMER PURCHASER. FOR BREACH OF WARRANTY. THE STATEMENT OF THE EXPRESS WARRANTIES PROVIDED HEREIN IS IN LIEU OF ANY AND ALL OTHER EXPRESS AND/OR STATUTORY WARRANTIES, TO THE EXTENT PROVIDED BY LAW. IN NO EVENT SHALL J&K BE LIABLE FOR INCIDENTAL OR CONSEQUENTIAL DAMAGES TO ANY ORIGINAL CONSUMER PURCHASER OR A THIRD PARTY, INCLUDING BUT NOT LIMITED TO DAMAGES ARISING FROM PERSONAL INJURY, LOST PROFITS, LOSS OF BUSINESS OPPORTUNITIES, LOSS OF PROPERTY, ECONOMIC LOSS, STATUTORY OR EXEMPLARY DAMAGES, WHETHER FROM NEGLIGENCE, WARRANTY, STRICT LIABILITY OR OTHERWISE. ANY AND ALL IMPLIED WARRANTIES OF MERCHANTABILITY, FITNESS FOR A PARTICULAR PURPOSE, COURSE OF DEALING AND USAGE OF TRADE, AND ANY AND ALL OTHER WARRANTIES, EXPRESS OR IMPLIED, ARE EXCLUDED AND DISCLAIMED, EXCEPTING ONLY THOSE EXPRESS WARRANTIES SPECIFICALLY SET FORTH IN THIS LIMITED LIABILITY WARRANTY. IN NO EVENT SHALL J&K BE LIABLE FOR ANY INDIRECT DAMAGES RESULTING FROM INSTALLATION, USE OR FAILURE OF ITS PRODUCTS. THIS LIMITED LIABILITY WARRANTY IS J&K'S SOLE WARRANTY, AND NO DEALER, DISTRIBUTOR OR AGENT POSSESSES ANY AUTHORITY WHATSOEVER TO MODIFY OR ENLARGE THIS WARRANTY IN ANYWAY. SOME STATES DO NOT ALLOW LIMITATIONS ON HOW LONG AN IMPLIED WARRANTY LASTS, SO THE ABOVE LIMITATION MAY NOT APPLY TO YOU.

**CLAIMS:**

To file a warranty claim, first contact your locally authorized J&K builder, dealer or distributor who installed and sold the J&K product. They will obtain the information necessary to make a claim decision and forward such information in writing to J&K. A dated sales receipt as proof of purchase is also required to obtain benefits from these warranties. At its discretion, J&K may require an inspection of the allegedly defective product before repairing or replacing. If you have difficulty obtaining assistance, please email all documents to [contact@jandkcabinetry.com](mailto:contact@jandkcabinetry.com), with an explanation of the defect. Please do not send the allegedly defective cabinet or component or part thereof to J&K, unless and until expressly requested to do so by our claims department. Pictures of cabinets or components or parts thereof may be requested by J&K. Making a fraudulent claim may be a crime, and violators may be prosecuted. J&K reserves the right to make all final decisions regarding warranty claims.

This limited liability warranty and its enforcement, and any and all claims or disputes arising out of, relating to or in connection with this limited liability warranty or the making, performance or interpretation of this limited liability warranty, shall be (1) governed by and construed exclusively in accordance with the laws of the State of New York, without regard to the conflicts of law or choice of law principles of the State of New York or any other jurisdiction (including but not limited to U.S. federal law) that would require the application of the law of any other jurisdiction, and (2) brought only in the United States District Court for the District of Southern District of New York or the New York Supreme Court, Nassau County.

INTRODUCING  
**J&K'S NEW COLORS!**

---



**SAGE E3**



**PURE B5**



Introducing J&K Cabinetry's latest hues for a stylish kitchen upgrade! E-Series has Sage – unique and calm color that's a must-see in-person. B-Series has Pure, Pebble, & Naval – clean lines and nice details with recessed solid wood panels and upgraded Clip-On door hinges.



35

PEBBLE B6

NAVAL B7

# WHITE SHAKER S8

---



# DOVE E1

---





# CHARCOAL E2

---



# CASTLE GREY S5

---





# GREIGE K3

---





# PEARL GLAZED H9

---



# CREME GLAZED A7

---





# HAZEL H8

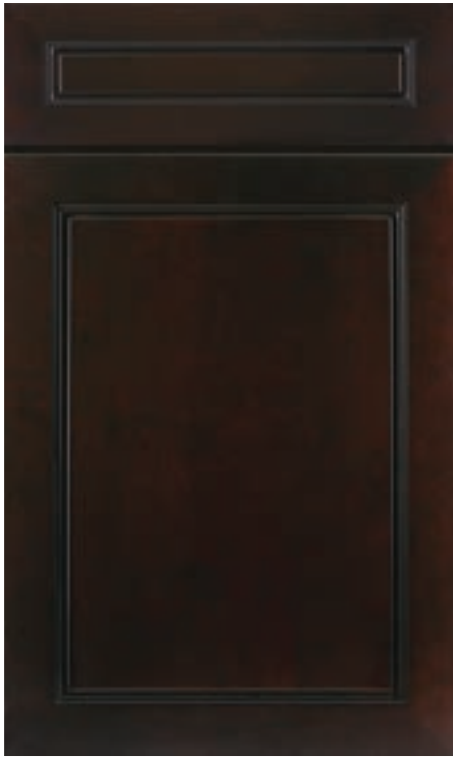
---





# ESPRESSO K8

---



# JAVA COFFEE S1

---





# MAHOGANY J5

---





# CHOCOLATE GLAZED **M01**

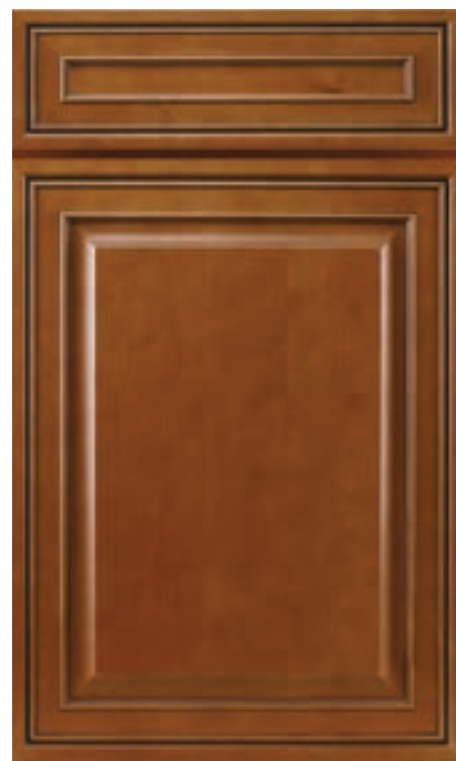
---





# MOCHA GLAZED K10

---

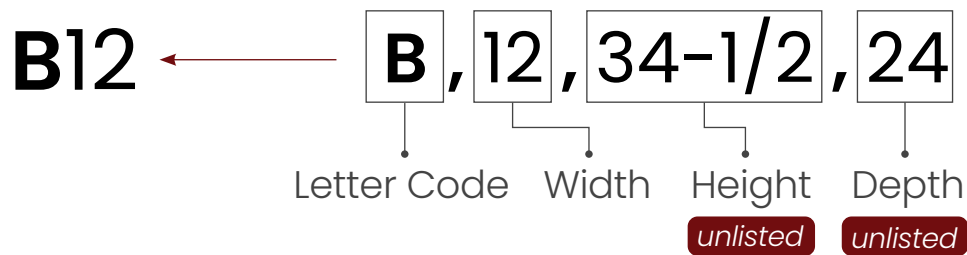


# J&K SPECIFICATION & NOMENCLATURE

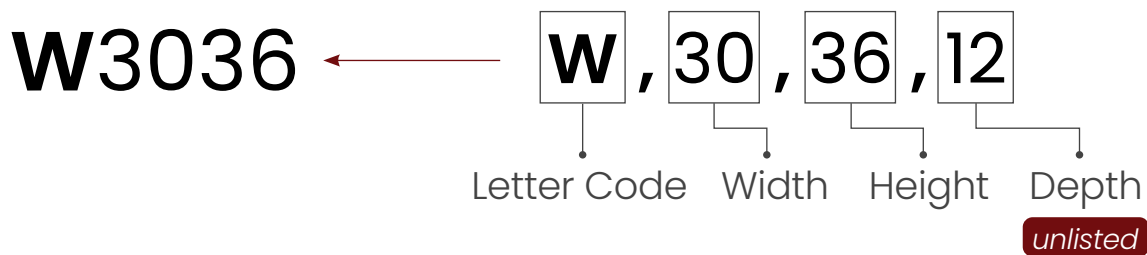
---

All of J&K's cabinet dimensions come in 3" increments ranging from 9" to 42" in width for regular Base Cabinets and Wall Cabinets. Height and depth usually come in standard (and unlisted) sizes. Other non-standard or special dimensions are either fully listed or unspecified.

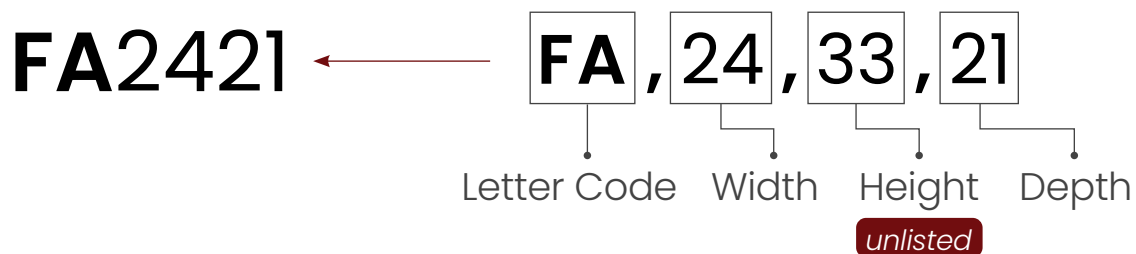
## KITCHEN BASE CABINETS *(with standard unlisted height and depth)*



## KITCHEN WALL CABINETS *(with standard unlisted depth)*



## BATHROOM VANITY CABINETS *(with standard unlisted height)*

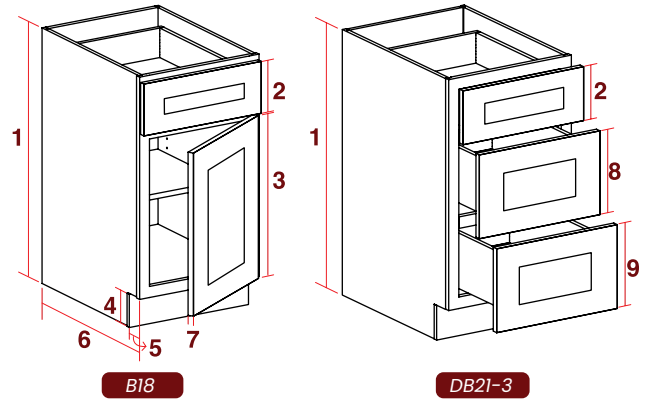




# J&K CABINET DIMENSIONS

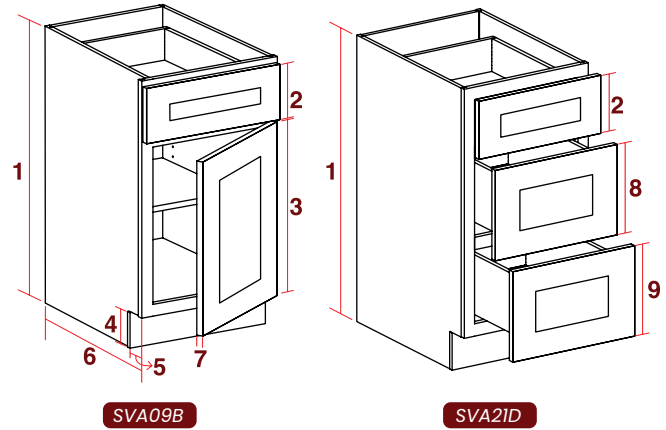
## KITCHEN CABINET DIMENSION

- 1** Standard 34-1/2"
- 2** 6" on K10, M01, A7, K8, K3  
7" on J5, CO66, S1, S2, S5, S8, H3, H8, H9, E1, E2, E3, B5, B6, B7
- 3** 23" on K10, M01, A7, K8, K3  
22" on J5, CO66, S1, S2, S5, S8, H3, H8, H9, B5, B6, B7  
21-7/8" on E1, E2, E3
- 4** Standard 4-1/2"
- 5** Standard 2-1/2"
- 6** Standard 24" (To the face frame)
- 7** Standard 3/4"
- 8** 11-3/8" on K10, M01, A7, K8, K3  
10-7/8" on J5, CO66, S1, S2, S5, S8, H3, H8, H9, B5, B6, B7  
10-3/4" on E1, E2, E3
- 9** 11-3/8" on K10, M01, A7, K8, K3  
10-7/8" on J5, CO66, S1, S2, S5, S8, H3, H8, H9, B5, B6, B7  
10-3/4" on E1, E2, E3



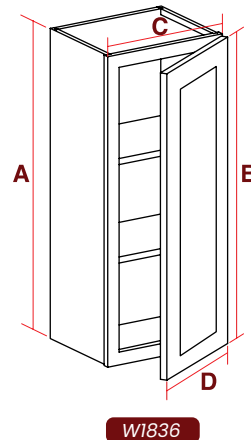
## VANITY CABINET DIMENSION

- 1** Standard 33"
- 2** 6" on K10, M01, A7, K8, K3  
7" on J5, CO66, S1, S2, S5, S8, H3, H8, H9, E1, E2, E3, B5, B6, B7
- 3** 21-5/8" on K10, M01, A7, K8, K3  
20-1/2" on J5, CO66, S1, S2, S5, S8, H3, H8, H9, B5, B6, B7  
20-1/2" on E1, E2, E3
- 4** Standard 4-1/2"
- 5** Standard 2-1/2"
- 6** Standard 21" (To the face frame)
- 7** Standard 3/4"
- 8** 10-5/8" on K10, M01, A7, K8, K3  
10-3/8" on J5, CO66, S1, S2, S5, S8, H3, H8, H9, B5, B6, B7  
10" on E1, E2, E3
- 9** 10-5/8" on K10, M01, A7, K8, K3  
10-3/8" on J5, CO66, S1, S2, S5, S8, H3, H8, H9, B5, B6, B7  
10" on E1, E2, E3



## WALL CABINET DIMENSION

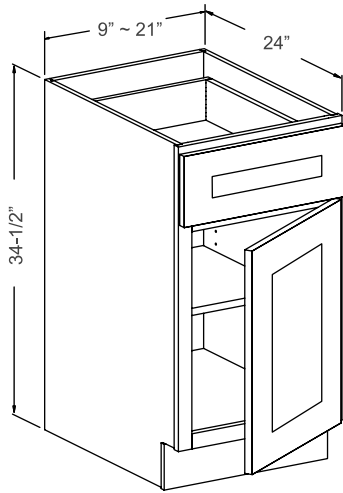
- 1** 36"
- 2** 35-1/2" (Door dim.)  
35-3/16" on E1, E2, E3
- 3** 18"  
17-3/4" (Door dim.)  
17-11/16" on E1, E2, E3



Vanity FA#### Cabinets,  
1/8" - 1/2" deviation expected.  
Door opening direction: Flip the  
Wall Cabinet to change the hinge  
side.  
Unscrew the Base Cabinet door to  
switch hinge side.

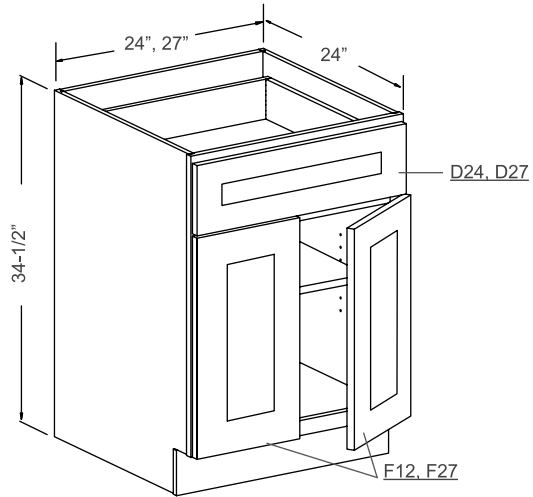
# BASE CABINETS

## STANDARD



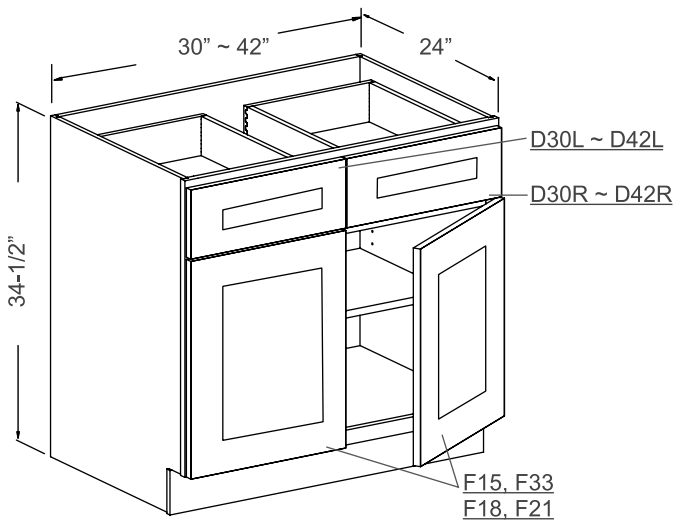
### Features

- 1 Drawer
- 1 Door
- 1 Adjustable Shelf



### Features

- 1 Drawer
- 2 Door
- 1 Adjustable Shelf



### Features

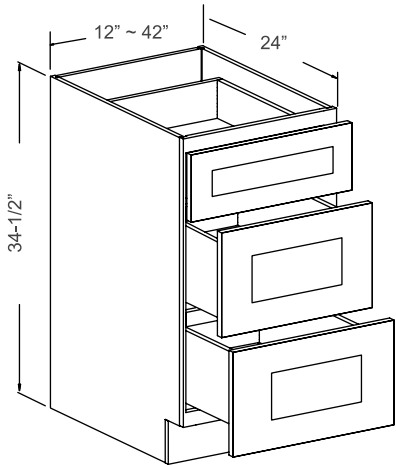
- 2 Drawer
- 2 Door
- 1 Adjustable Shelf

Item Code	Dimensions	Weight
B09	9W x 34-1/2H x 24D	42 LB
B12	12W x 34-1/2H x 24D	45 LB
B15	15W x 34-1/2H x 24D	50 LB
B18	18W x 34-1/2H x 24D	53 LB
B21	21W x 34-1/2H x 24D	57 LB
B24	24W x 34-1/2H x 24D	63 LB
B27	27W x 34-1/2H x 24D	68 LB
B30	30W x 34-1/2H x 24D	81 LB
B33	33W x 34-1/2H x 24D	85 LB
B36	36W x 34-1/2H x 24D	89 LB
B42	42W x 34-1/2H x 24D	94 LB

**IMPORTANT:** All specifications are subject to change without notice. All images are for reference only. To ensure your highest satisfaction, we strongly recommend contacting us and viewing an actual sample to understand product style and construction before making a purchase.

# BASE CABINETS

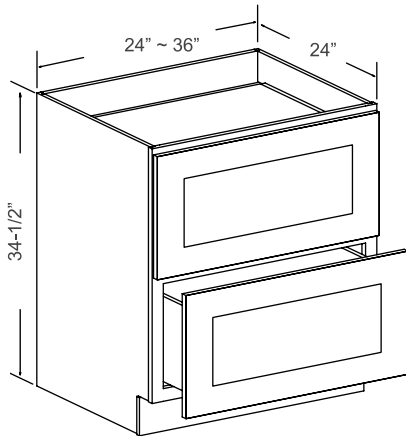
## DRAWER



### Features

- 1 Small Drawer
- 2 Large Drawers

Item Code	Dimensions	Weight
DB12-3	12W x 34-1/2H x 24D	68 LB
DB15-3	15W x 34-1/2H x 24D	76 LB
DB18-3	18W x 34-1/2H x 24D	81 LB
DB21-3	21W x 34-1/2H x 24D	86 LB
DB24-3	24W x 34-1/2H x 24D	93 LB
DB30-3	30W x 34-1/2H x 24D	103 LB
DB33-3	33W x 34-1/2H x 24D	107 LB
DB36-3	36W x 34-1/2H x 24D	111 LB
DB42-3	42W x 34-1/2H x 24D	120 LB



### Features

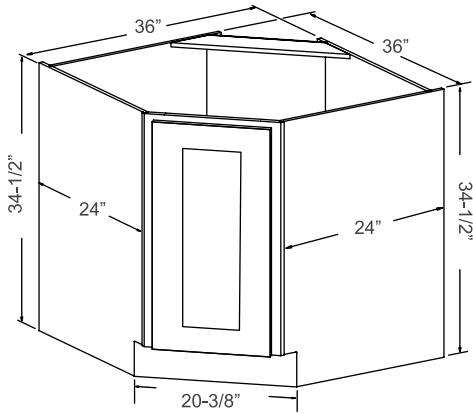
- 2 Large Drawers

Item Code	Dimensions	Weight
DB24-2	24W x 34-1/2H x 24D	83 LB
DB27-2	27W x 34-1/2H x 24D	87 LB
DB30-2	30W x 34-1/2H x 24D	93 LB
DB33-2	33W x 34-1/2H x 24D	98 LB
DB36-2	36W x 34-1/2H x 24D	104 LB



# BASE CABINETS

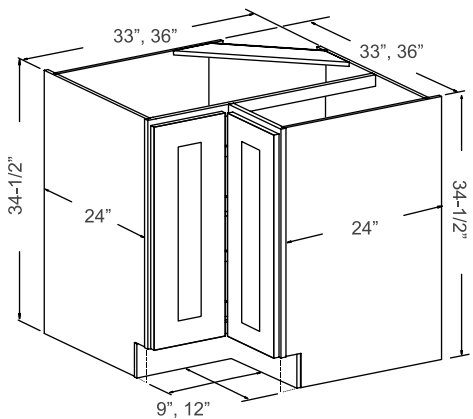
## CORNER



### Features

- 1 Full Door: 14-3/4" W x 29-1/4" H
- 2 Wooden Round Susans

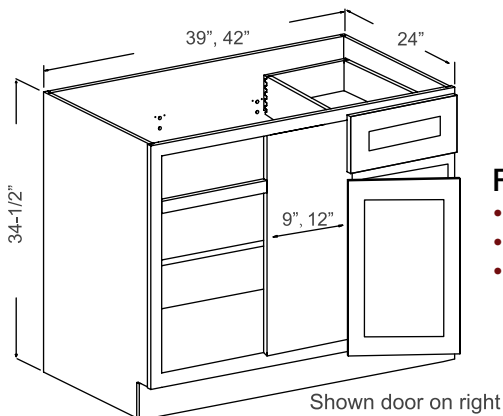
Item Code	Dimensions	Weight
CBD36	36W x 34-1/2H x 24D	81 LB



### Features

- 1 Bi-folding Door:  
7-1/2"W, 10-1/2"W x 29-1/4"H
- 2 Wooden Kidney-Shaped Susans

Item Code	Dimensions	Weight
LS3309	33W x 34-1/2H x 24D	77 LB
LS3612	36W x 34-1/2H x 24D	81 LB



### Features

- 1 Drawer on Left or Right
- 1 Door on Left or Right
- 1 Adjustable Shelf

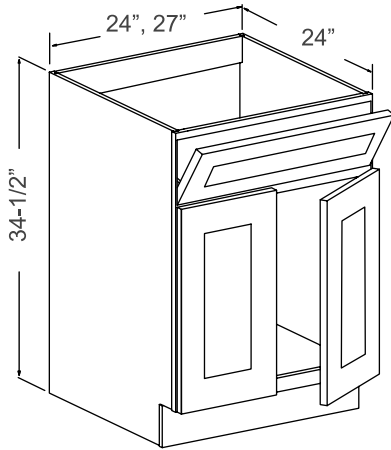
\* Minimum 3" Pull From The Wall When Install

Item Code	Dimensions	Weight
BBC39L/R	39W x 34-1/2H x 24D	72 LB
BBC42L/R	42W x 34-1/2H x 24D	78 LB

\* Door Width 15"W In BBC39L/R; 18"W In BBC42L/R.

# BASE CABINETS

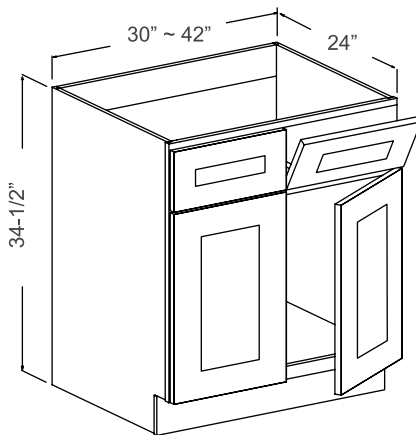
## SINK



### Features

- 1 Tilt-Out Drawer With Tray
- 2 Doors
- No Shelf
- *Back Panel Open*

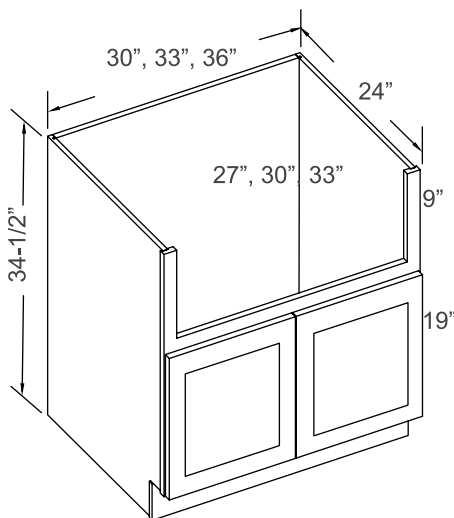
Item Code	Dimensions	Weight
SB24	24W x 34-1/2H x 24D	44 LB
SB27	27W x 34-1/2H x 24D	48 LB



### Features

- 2 Tilt-Out Drawers With Trays
- 2 Doors
- No Shelf
- *Back Panel Open*

Item Code	Dimensions	Weight
SB30	30W x 34-1/2H x 24D	49 LB
SB33	33W x 34-1/2H x 24D	50 LB
SB36	36W x 34-1/2H x 24D	54 LB
SB42	42W x 34-1/2H x 24D	59 LB



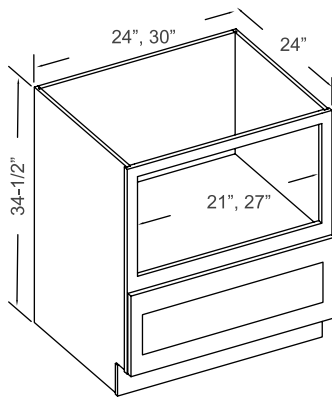
### Features

- 2 Doors
- No Shelf
- *Back Panel NOT Open*

Item Code	Dimensions	Weight
FSB30	30W x 34-1/2H x 24D	48 LB
FSB33	33W x 34-1/2H x 24D	50 LB
FSB36	36W x 34-1/2H x 24D	53 LB

# BASE CABINETS

## MICROWAVE

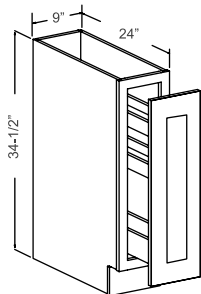


### Features

- 1 Drawer

Item Code	Dimensions	Weight
MDB24	24W x 34-1/2H x 24D	61 LB
MDB30	30W x 34-1/2H x 24D	70 LB

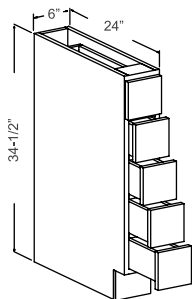
## SPICE



### Features

- 1 Door: 8-3/4\"W x 29-1/4\"H
- 3 Fixed Pull-Out Shelves
- *Standard Ball Bearing Side Glide*

Item Code	Dimensions	Weight
SP09	9W x 34-1/2H x 24D	42 LB

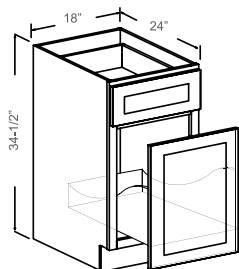


### Features

- 5 Square Drawers: 5-3/4\"W x 5-1/2\"H (Each)
- *No Glides*

Item Code	Dimensions	Weight
BWRC6	6W x 34-1/2H x 24D	56 LB

## WASTE BIN



### Features

- 1 Drawer
- 1 Door
- 1 Large Bin Cut-Out (BWBK 15-1)
- 2 Large Bin Cut-Out (BWBK 18-2)
- *Plastic Waste Bins NOT Included, but can be purchased*

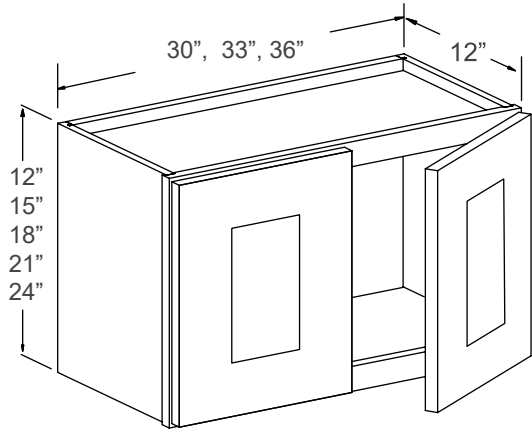
Item Code	Dimensions	Weight
BWBK15-1	15W x 34-1/2H x 24D	58 LB
BWBK18-2	18W x 34-1/2H x 24D	61 LB

**IMPORTANT:** All specifications are subject to change without notice. All images are for reference only. To ensure your highest satisfaction, we strongly recommend contacting us and viewing an actual sample to understand product style and construction before making a purchase.



# WALL CABINETS

12"H, 15"H, 18"H, 21"H, 24"H



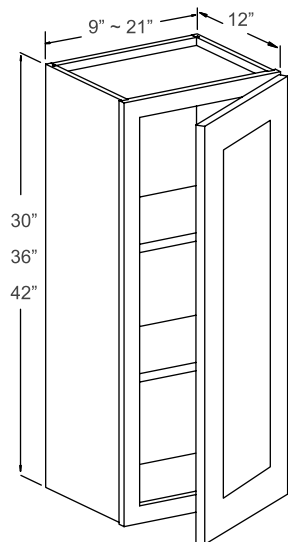
## Features

- 2 Doors
- 1 Adjustable Shelf for 24"H Only

Item Code	Dimensions	Weight
W3012	30W x 12H x 12D	20 LB
W3312	33W x 12H x 12D	22 LB
W3612	36W x 12H x 12D	23 LB
W3015	30W x 15H x 12D	22 LB
W3315	33W x 15H x 12D	25 LB
W3615	36W x 15H x 12D	27 LB
W3018	30W x 18H x 12D	26 LB
W3318	33W x 18H x 12D	28 LB
W3618	36W x 18H x 12D	30 LB
W3021	30W x 21H x 12D	29 LB
W3321	33W x 21H x 12D	31 LB
W3621	36W x 21H x 12D	36 LB
W3024	30W x 24H x 12D	36 LB
W3324	33W x 24H x 12D	40 LB
W3624	36W x 24H x 12D	41 LB

# WALL CABINETS

## 30"H, 36"H, 42"H | SINGLE DOOR



### Features

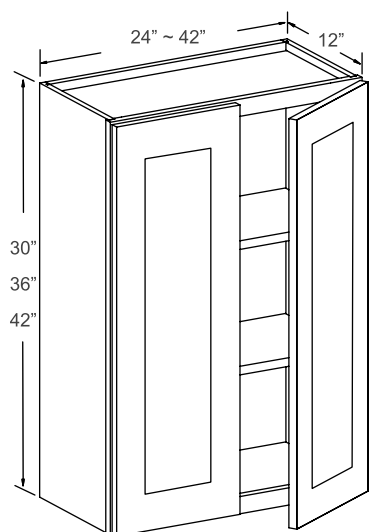
- 1 Doors
- 2 Adjustable Shelves for 42"H Only

Item Code	Dimensions	Weight
W0930	9W x 30H x 12D	20 LB
W1230	12W x 30H x 12D	23 LB
W1530	15W x 30H x 12D	27 LB
W1830	18W x 30H x 12D	30 LB
W2130	21W x 30H x 12D	32 LB

W0936	9W x 36H x 12D	23 LB
W1236	12W x 36H x 12D	27 LB
W1536	15W x 36H x 12D	29 LB
W1836	18W x 36H x 12D	34 LB
W2136	21W x 36H x 12D	38 LB

W0942	9W x 42H x 12D	27 LB
W1242	12W x 42H x 12D	31 LB
W1542	15W x 42H x 12D	34 LB
W1842	18W x 42H x 12D	40 LB
W2142	21W x 42H x 12D	43 LB

## 30"H, 36"H, 42"H | DOUBLE DOOR



### Features

- 2 Doors
- 3 Adjustable Shelf for 42"H Only

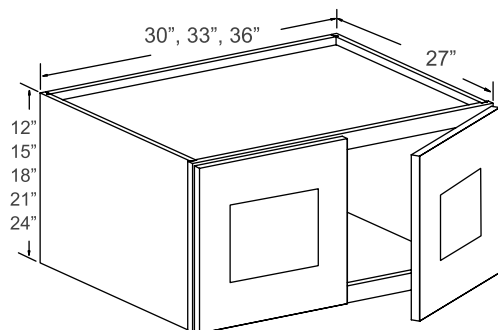
Item Code	Dimensions	Weight
W2430	24W x 30H x 12D	38 LB
W2730	27W x 30H x 12D	42 LB
W3030	30W x 30H x 12D	46 LB
W3330	33W x 30H x 12D	50 LB
W3630	36W x 30H x 12D	52 LB
W4230	42W x 30H x 12D	59 LB

W2436	24W x 36H x 12D	43 LB
W2736	27W x 36H x 12D	45 LB
W3036	30W x 36H x 12D	51 LB
W3336	33W x 36H x 12D	55 LB
W3636	36W x 36H x 12D	59 LB
W4236	42W x 36H x 12D	66 LB

W2442	24W x 42H x 12D	49 LB
W2742	27W x 42H x 12D	55 LB
W3042	30W x 42H x 12D	60 LB
W3342	33W x 42H x 12D	63 LB
W3642	36W x 42H x 12D	69 LB
W4242	42W x 42H x 12D	78 LB

# WALL CABINETS

## REFRIGERATOR 27"D



### Features

- 2 Doors
- No Shelf
- *\* 1 Adjustable Shelf In 24"H Cabinets.*

Item Code	Dimensions	Weight
W301227	30W x 12H x 27D	35 LB
W331227	33W x 12H x 27D	38 LB
W361227	36W x 12H x 27D	40 LB

W301527	30W x 15H x 27D	38 LB
W331527	33W x 15H x 27D	40 LB
W361527	36W x 15H x 27D	45 LB

W301827	30W x 18H x 27D	41 LB
W331827	33W x 18H x 27D	42 LB
W361827	36W x 18H x 27D	46 LB

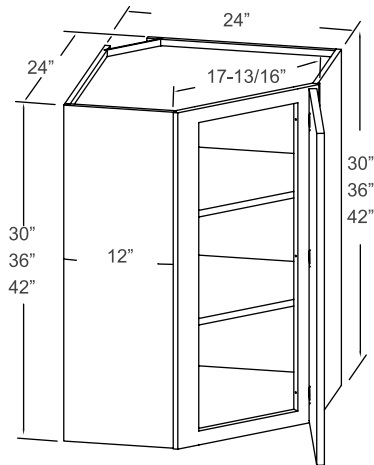
W302127	30W x 21H x 27D	46 LB
W332127	33W x 21H x 27D	49 LB
W362127	36W x 21H x 27D	51 LB

W302427	30W x 24H x 27D	57 LB
W332427	33W x 24H x 27D	59 LB
W362427	36W x 24H x 27D	61 LB



# WALL CABINETS

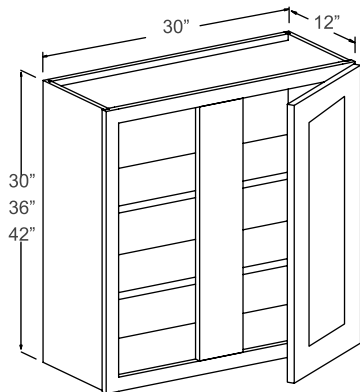
## CORNER



### Features

- 1 Doors
- 2 Adjustable Shelves

Item Code	Dimensions	Weight
WDC2430	24W x 30H x 12D	55 LB
WDC2436	24W x 36H x 12D	61 LB
WDC2442	24W x 42H x 12D	72 LB



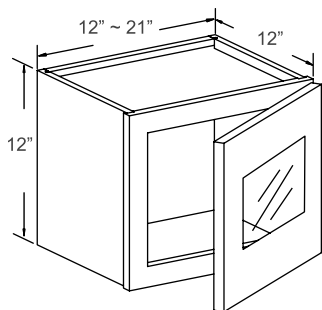
Shown door on right

### Features

- 1 Door on Left or Right
- 3 Adjustable Shelves for 42\"H Only

Item Code	Dimensions	Weight
WCC3030	30W x 30H x 12D	41 LB
WCC3036	30W x 36H x 12D	47 LB
WCC3042	30W x 42H x 12D	54 LB

## GLASS CABINET 12\"H | SINGLE DOOR



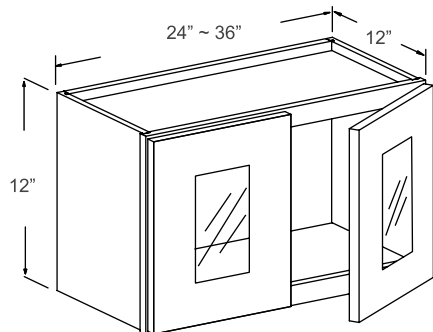
### Features

- 1 Door
- No Shelf
- Matching Color Interior
- *Glass Insert Not Included but can be purchased*

Item Code	Dimensions	Weight
WM1212H	12W x 12H x 12D	10 LB
WM1512H	15W x 12H x 12D	12 LB
WM1812H	18W x 12H x 12D	13 LB
WM2112H	21W x 12H x 12D	15 LB

# WALL CABINETS

## GLASS CABINET 12”H | DOUBLE DOOR

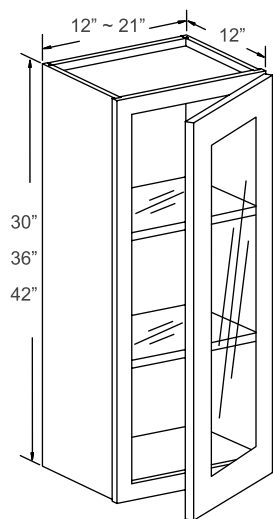


### Features

- 2 Door
- No Shelf
- Matching Color Interior
- *Glass Insert Not Included but can be purchased*

Item Code	Dimensions	Weight
WM2412H	24W x 12H x 12D	17 LB
WM2712H	27W x 12H x 12D	19 LB
WM3012H	30W x 12H x 12D	21 LB
WM3312H	33W x 12H x 12D	21 LB
WM3612H	36W x 12H x 12D	25 LB

## GLASS CABINET 30”H, 36”H, 42”H | SINGLE DOOR



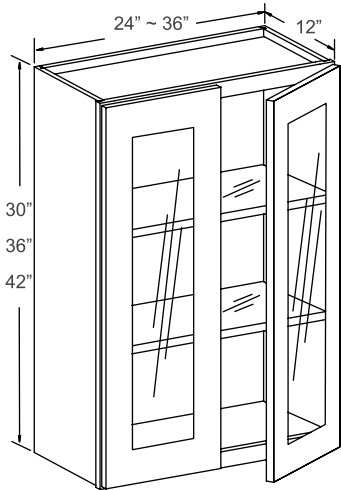
### Features

- 1 Door
- 3 Adjustable Shelves for 42”H Only
- Matching Color Interior
- *Glass Shelves And Glass Insert NOT Included but can be purchased*

Item Code	Dimensions	Weight
WM1230H	12W x 30H x 12D	18 LB
WM1530H	15W x 30H x 12D	20 LB
WM1830H	18W x 30H x 12D	22 LB
WM2130H	21W x 30H x 12D	25 LB
WM1236H	12W x 36H x 12D	21 LB
WM1536H	15W x 36H x 12D	23 LB
WM1836H	18W x 36H x 12D	25 LB
WM2136H	21W x 36H x 12D	28 LB
WM1242H	12W x 42H x 12D	25 LB
WM1542H	15W x 42H x 12D	27 LB
WM1842H	18W x 42H x 12D	28 LB
WM2142H	21W x 42H x 12D	32 LB

# WALL CABINETS

## GLASS CABINET 30"H, 36"H, 42"H | DOUBLE DOOR



### Features

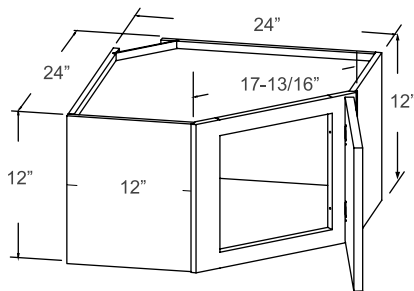
- 2 Door
- 3 Adjustable Shelves for 42"H Only
- Matching Color Interior
  - \* Glass Shelves And Glass Insert NOT Included but can be purchased

Item Code	Dimensions	Weight
WM2430H	24W x 30H x 12D	28 LB
WM2730H	27W x 30H x 12D	30 LB
WM3030H	30W x 30H x 12D	32 LB
WM3330H	33W x 30H x 12D	34 LB
WM3630H	36W x 30H x 12D	35 LB

WM2436H	24W x 36H x 12D	33 LB
WM2736H	27W x 36H x 12D	34 LB
WM3036H	30W x 36H x 12D	36 LB
WM3336H	33W x 36H x 12D	38 LB
WM3636H	36W x 36H x 12D	40 LB

WM2442H	24W x 42H x 12D	38 LB
WM2742H	27W x 42H x 12D	40 LB
WM3042H	30W x 42H x 12D	42 LB
WM3342H	33W x 42H x 12D	43 LB
WM3642H	36W x 42H x 12D	44 LB

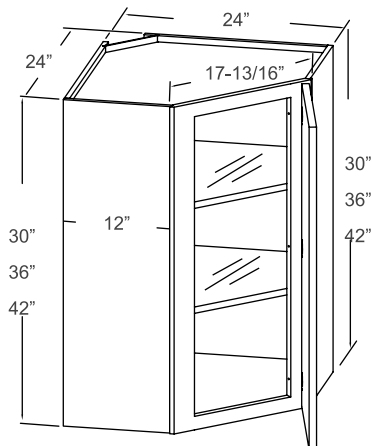
## GLASS CORNER CABINET



### Features

- 1 Door
- No Shelf
- Matching Color Interior
  - \* Glass Insert NOT Included but can be purchased

Item Code	Dimensions	Weight
WMDC2412H	24W x 12H x 12D	25 LB



### Features

- 1 Door
- 3 Adjustable Shelves for 42"H Only
- Matching Color Interior
  - \* Glass Shelves And Glass Insert NOT Included but can be purchased

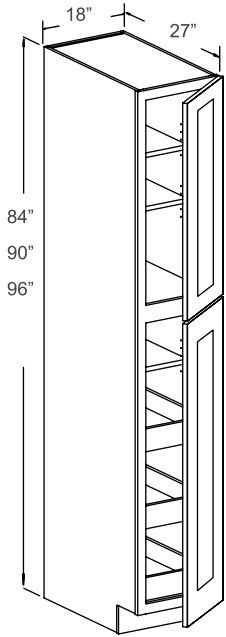
Item Code	Dimensions	Weight
WMDC2430H	24W x 30H x 12D	39 LB
WMDC2436H	24W x 36H x 12D	46 LB
WMDC2442H	24W x 42H x 12D	50 LB

**IMPORTANT:** All specifications are subject to change without notice. All images are for reference only. To ensure your highest satisfaction, we strongly recommend contacting us and viewing an actual sample to understand product style and construction before making a purchase.



# PANTRY OVEN & HOOD

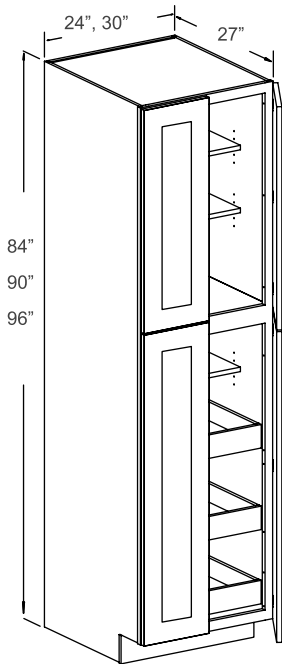
## PANTRY CABINETS



### Features

- 2 Doors
- 2 Adjustable Top Shelves
- 1 Adjustable Middle Shelf
- 3 Bottom Roll-Out Trays
- *3 Adjustable Top Shelves In 96"H Cabinet.*

Item Code	Dimensions	Weight
WP188427	18W x 84H x 27D	154 LB
WP189027	18W x 90H x 27D	160 LB
WP189627	18W x 96H x 27D	165 LB



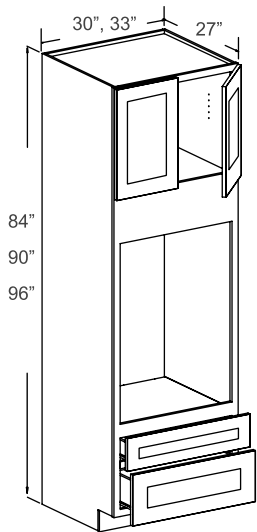
### Features

- 4 Doors
- 2 Adjustable Top Shelves
- 1 Adjustable Middle Shelf
- 3 Bottom Roll-Out Trays
- *3 Adjustable Top Shelves in 96"H Cabinet.*
- *E Series & B-Series pantry doors will have a cross rail midway.*

Item Code	Dimensions	Weight
WP248427	24W x 84H x 27D	176 LB
WP308427	30W x 84H x 27D	196 LB
WP249027	24W x 90H x 27D	184 LB
WP309027	30W x 90H x 27D	211 LB
WP249627	24W x 96H x 27D	190 LB
WP309627	30W x 96H x 27D	225 LB

# PANTRY OVEN & HOOD

## OVEN CABINETS



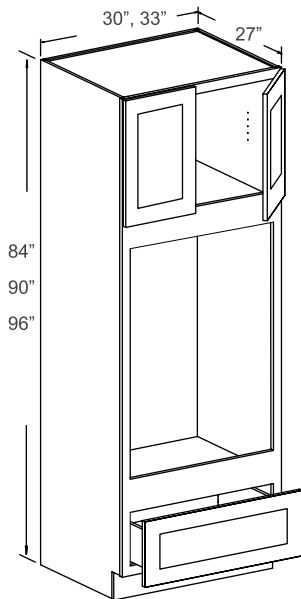
### Features

- 2 Doors
- No Shelf --1 Large Open Shelf 38-7/16\"H
- 1 Small Bottom Drawer
- 1 Large Bottom Drawer
- \* Trim or Add to Fit Oven.  
1 Adjustable Top Shelf In 96\"H Cabinet

### Stile:

- 1-1/2\"W on 30\" Cab
- 2-1/8\"W on 33\" Cab

Item Code	Dimensions	Weight
OC308427	30W x 84H x 27D	160 LB
OC338427	33W x 84H x 27D	170 LB
OC309027	30W x 90H x 27D	170 LB
OC339027	33W x 90H x 27D	182 LB
OC309627	30W x 96H x 27D	182 LB
OC339627	33W x 96H x 27D	192 LB

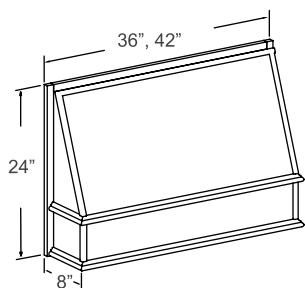


### Features

- 2 Doors
- No Shelf
- 1 Large Open Shelf 43-7/16\"H
- 1 Large Bottom Drawer
- \* Trim or Add to Fit Oven.  
1 Adjustable Top Shelf In 96\"H Cabinet

Item Code	Dimensions	Weight
OC308427WO	30W x 84H x 27D	132 LB
OC338427WO	33W x 84H x 27D	142 LB
OC309027WO	30W x 90H x 27D	145 LB
OC339027WO	33W x 90H x 27D	155 LB
OC309627WO	30W x 96H x 27D	158 LB
OC339627WO	33W x 96H x 27D	169 LB

## RANGE HOOD



### Features

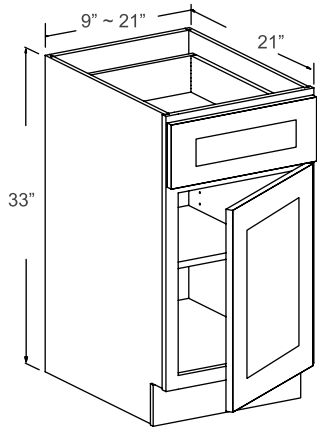
- RHE3624 - Inside Dimensions: 32.5W x 7.5H x 7.5D
- RHE4224 - Inside Dimensions: 38.5W x 7.5H x 7.5D Item Code Dimensions

Item Code	Dimensions	Weight
RHE3624	36W x 24H x 8D	20 LB
RHE4224	42W x 24H x 8D	22 LB

**IMPORTANT:** All specifications are subject to change without notice. All images are for reference only. To ensure your highest satisfaction, we strongly recommend contacting us and viewing an actual sample to understand product style and construction before making a purchase.

# BATHROOM VANITIES

## STANDARD

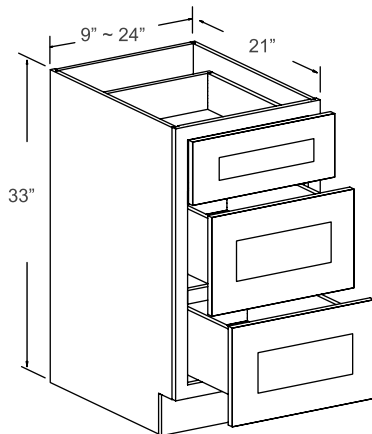


### Features

- 1 Drawer
- 1 Door
- 1 Adjustable Shelf

Item Code	Dimensions	Weight
SVA09B	9W x 33H x 21D	36 LB
SVA12B	12W x 33H x 21D	40 LB
SVA15B	15W x 33H x 21D	42 LB
SVA18B	18W x 33H x 21D	47 LB
SVA21B	21W x 33H x 21D	52 LB

## DRAWER

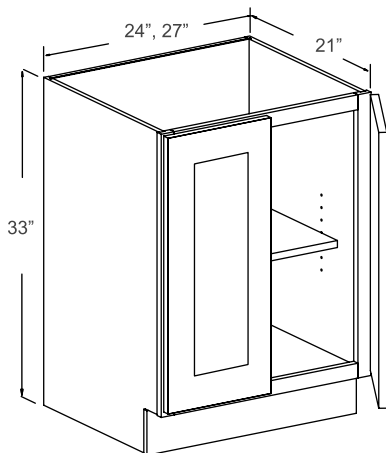


### Features

- 1 Small Drawer
- 2 Large Drawers

Item Code	Dimensions	Weight
SVA09D	9W x 33H x 21D	53 LB
SVA12D	12W x 33H x 21D	60 LB
SVA15D	15W x 33H x 21D	66 LB
SVA18D	18W x 33H x 21D	70 LB
SVA21D	21W x 33H x 21D	75 LB
SVA24D	24W x 33H x 21D	79 LB

## FULL DOOR



### Features

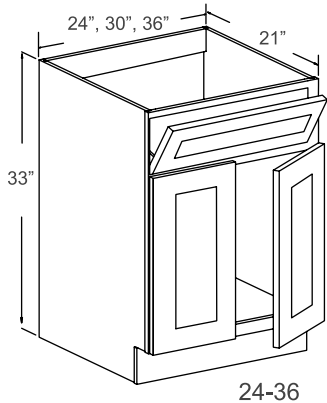
- 2 Doors
- 1 Adjustable Shelf
- *Back Panel NOT Open*

Item Code	Dimensions	Weight
SVA24P	24W x 33H x 21D	43 LB
SVA27P	27W x 33H x 21D	47 LB



# BATHROOM VANITIES

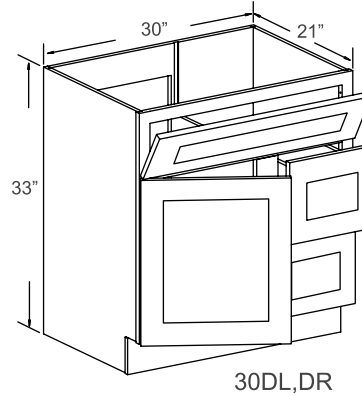
## SINK



### Features

- 1 Tilt-Out Drawer With Tray
- 2 Doors
- No Shelf
- *Back Panel Open*

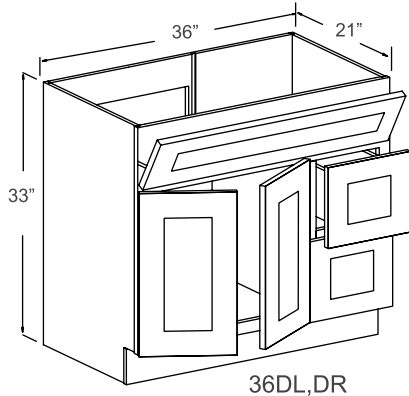
24-36



### Features

- 1 Tilt-Out Drawer With Tray
- 1 Door
- 2 Drawers
- No Shelf
- Displaying FA3021DL
- *Back Panel Open On Left*

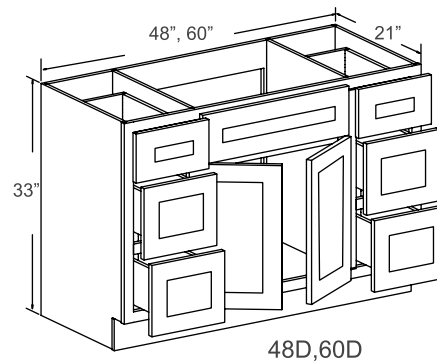
30DL,DR



### Features

- 1 Tilt-Out Drawer With Tray
- 2 Drawers
- 2 Doors
- No Shelf
- Displaying FA3621DL
- *Back Panel Open On Left*

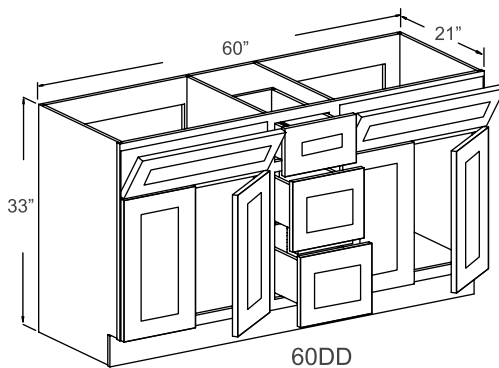
36DL,DR



### Features

- 1 Tilt-Out Drawer With Tray
- 6 Drawers
- 2 Doors
- No Shelf
- *Back Panel Open In The Middle*

48D,60D



### Features

- 2 Tilt-Out Drawers With Trays
- 3 Drawers
- 4 Doors
- No Shelf
- *Back Panel Open On Left And Right*

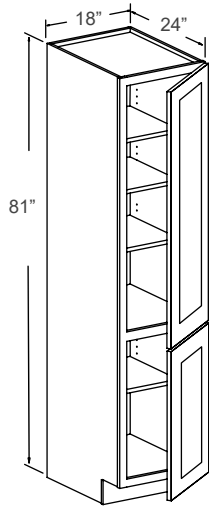
60DD

Item Code	Dimensions	Weight
FA2421	24W x 33H x 21D	39 LB
FA3021	30W x 33H x 21D	45 LB
FA3621	36W x 33H x 21D	51 LB
FA3021DL	30W x 33H x 21D	75 LB
FA3021DR	30W x 33H x 21D	75 LB
FA3621DL	36W x 33H x 21D	80 LB
FA3621DR	36W x 33H x 21D	80 LB
FA4821D	48W x 33H x 21D	140 LB
FA6021DD	60W x 33H x 21D	117 LB

**IMPORTANT:** All specifications are subject to change without notice. All images are for reference only. To ensure your highest satisfaction, we strongly recommend contacting us and viewing an actual sample to understand product style and construction before making a purchase.

# BATHROOM VANITIES

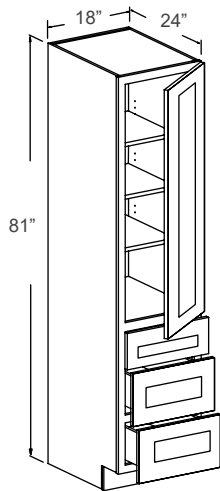
## VANITY LINEN CABINETS



### Features

- 2 Doors
- 4 Adjustable Shelves

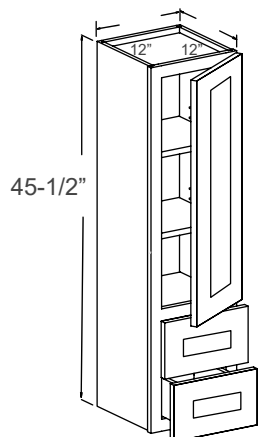
Item Code	Dimensions	Weight
SVA188124P	18W x 81H x 24D	103 LB



### Features

- 1 Door
- 3 Adjustable Shelves
- 1 Small Bottom Drawer
- 2 Large Bottom Drawers

Item Code	Dimensions	Weight
SVA188124D	18W x 81H x 24D	145 LB



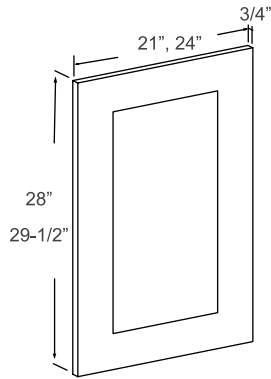
### Features

- 1 Door
- 2 Adjustable Shelves
- 2 Small Drawers

Item Code	Dimensions	Weight
DV1245	12W x 45-1/2H x 12D	42 LB

# DUMMY DOORS & PANELS

## BASE END

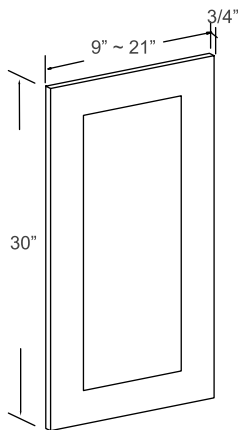


### Features

- 1 Dummy Door Panel
- *NOT For Replacement*

Item Code	Dimensions	Weight
BDD21	21W x 28H x 3/4D	9 LB
BDD24	24W x 29-1/2H x 3/4D	10 LB

## ISLAND END

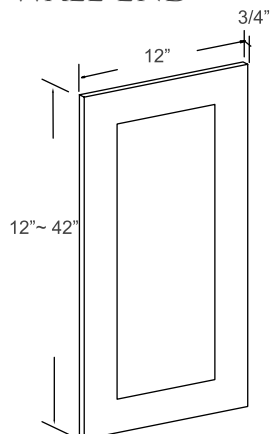


### Features

- 1 Replacement Door Panel
- *Predrilled Hinge Holes On The Back*

Item Code	Dimensions	Weight
W0930F	9W x 30H x 3/4D	4 LB
W1230F	12W x 30H x 3/4D	5 LB
W1530F	15W x 30H x 3/4D	7 LB
W1830F	18W x 30H x 3/4D	8 LB
W2130F	21W x 30H x 3/4D	9 LB
W2730F	13-1/2W x 30H x 3/4D	6 LB
W3330F	16-1/2W x 30H x 3/4D	7 LB

## WALL END



### Features

- 1 Replacement Door Panel
- *Predrilled Hinge Holes On The Back*

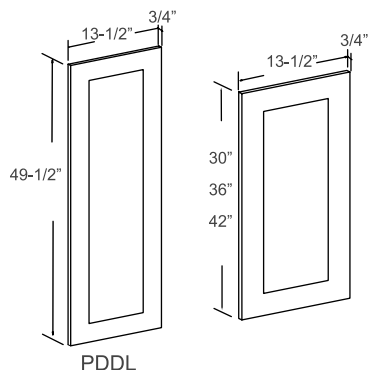
Item Code	Dimensions	Weight
W2412F	12W x 12H x 3/4D	2 LB
W1230F	12W x 30H x 3/4D	5 LB
W1236F	12W x 36H x 3/4D	6 LB
W1242F	12W x 42H x 3/4D	7 LB

**IMPORTANT:** All specifications are subject to change without notice. All images are for reference only. To ensure your highest satisfaction, we strongly recommend contacting us and viewing an actual sample to understand product style and construction before making a purchase.



# DUMMY DOORS & PANELS

## PANTRY/OVEN END

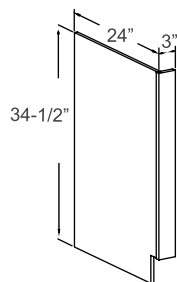


### Features

- 1 Dummy Door
- *\* NOT For Replacement*
- 1 Replacement Door Panel
- Predrilled Hinge Holes On The Back

Item Code	Dimensions	Weight
PDDL27	13-1/2W x 49-1/2H x 3/4D	9 LB
W2730F	13-1/2W x 30H x 3/4D	6 LB
W2736F	13-1/2W x 36H x 3/4D	7 LB
W2742F	13-1/2W x 42H x 3/4D	8 LB

## DISHWASHER

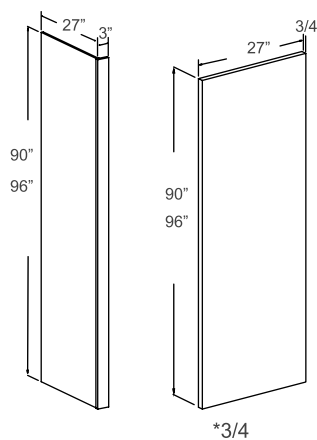


### Features

- 3" Return Filler
- 5/8" Thick Panel
- Matching Color on Filler
- *\* NOT Assembled & Toe Kick NOT Included*

Item Code	Dimensions	Weight
DWR (L/R)	3W x 34-1/2H x 24D	10 LB

## REFRIGERATOR

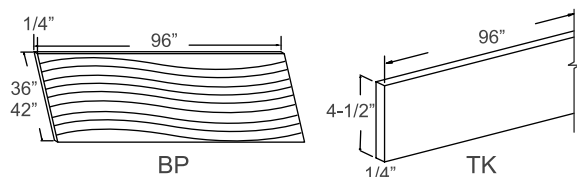


### Features

- 3" Return Filler
- 5/8" Thick Panel
- Matching Color on Exterior
- 3/4" Thick Panel
- 4 Side-Edge Banded
- Matching Color on All Sides & Surfaces

Item Code	Dimensions	Weight
RRP9027	3W x 90H x 27D	38 LB
RRP9627	3W x 96H x 27D	40 LB
RRP9027*3/4	3/4W x 90H x 27D	49 LB
RRP9627*3/4	3/4W x 96H x 27D	50 LB
BP9636*3/4	3/4W x 96H x 36D	52 LB

## SKIN



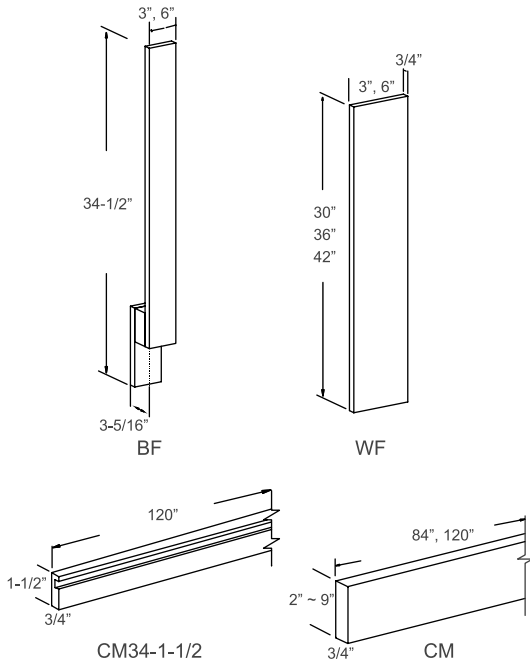
### Features

- Long Grain Pattern in 42"H Panels
- Matching Color on One Side

Item Code	Dimensions	Weight
BP9636	96W x 36H x 1/4D	12 LB
BP9642	96W x 42H x 1/4D	13 LB
TK8	4-1/2W x 96H x 1/4D	1.4 LB

# FILLERS & MOLDINGS

## BASE / WALL / TALL FILLER

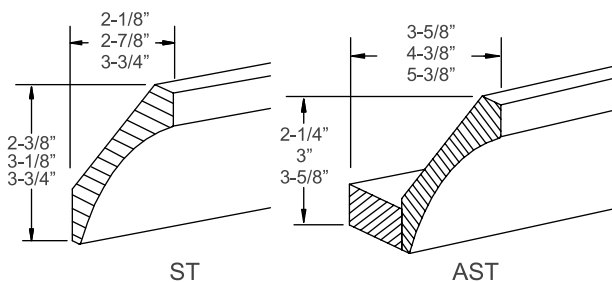


Item Code	Dimensions	Weight
BF3	3W x 34-1/2H x 3/4D	2 LB
BF6	6W x 34-1/2H x 3/4D	4 LB
WF330	3W x 30H x 3/4D	1 LB
WF336	3W x 36H x 3/4D	2 LB
WF342	3W x 42H x 3/4D	2 LB
WF630	6W x 30H x 3/4D	3 LB
WF636	6W x 36H x 3/4D	3 LB
WF936	9W x 36H x 3/4D	5 LB
WF642	6W x 42H x 3/4D	4 LB

\* Dadoed. Good for Refrigerator Return use and Semi-custom cabinets.

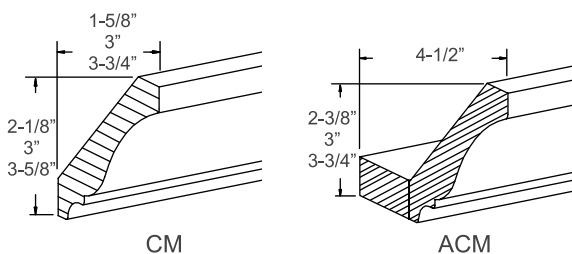
CM34-1-1/2	1-1/2W x 120H x 3/4D	3 LB
CM34-3	3W x 120H x 3/4D	4 LB
CM34-4	4W x 120H x 3/4D	6 LB
CM34-6	6W x 120H x 3/4D	10 LB

## COVE



Item Code	Dimensions	Weight
ST10	2-3/8H x 2-1/8D x 120L	4 LB
ST10-- 4-1/4	3-1/8H x 2-7/8D x 120L	6 LB
ST10-- 5-1/4	3-3/4H x 3-3/4D x 120L	4 LB
AST10-- 3-1/4	2-1/4H x 3-5/8D x 120L	7 LB
AST10-- 4-1/4	3H x 4-3/8D x 120L	8 LB
AST10-- 5-1/4	3-5/8H x 5-3/8D x 120L	9 LB

## CROWN

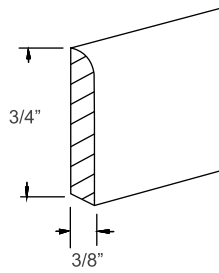


Item Code	Dimensions	Weight
CM10	2-1/8H x 1-5/8D x 120L	5 LB
CM10-- 4-1/4	4-1/4H x 3/4D x 120L	7 LB
CM10-- 5-1/4	5-1/4H x 3/4D x 120L	9 LB
ACM10-- 3-1/4	2-3/8H x 4-1/2D x 120L	8 LB
ACM10-- 4-1/4	3H x 4-1/2D x 120L	10 LB
ACM10-- 5-1/4	3-3/4H x 4-1/2D x 120L	12 LB

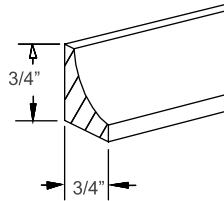
**IMPORTANT:** All specifications are subject to change without notice. All images are for reference only. To ensure your highest satisfaction, we strongly recommend contacting us and viewing an actual sample to understand product style and construction before making a purchase.

# FILLERS & MOLDINGS

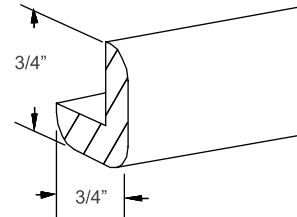
SCRIBE / CORNER / QUARTER / RAIL / OGEE / BASE



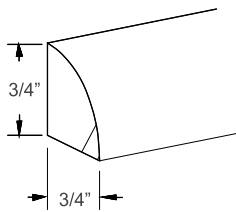
SM8



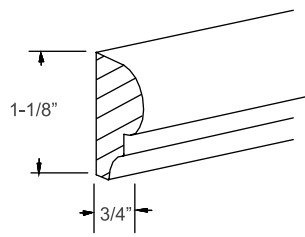
ICM8



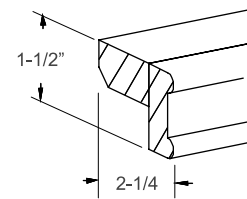
OCM8



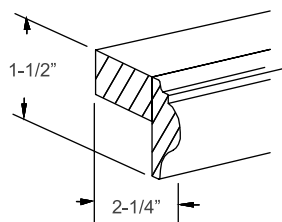
QRM10



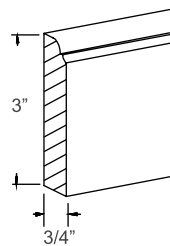
CR10



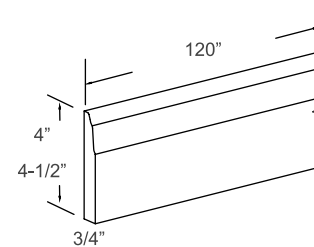
TLR10-A



SMLR10



OGM10



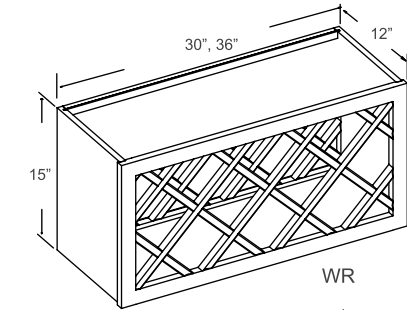
BM10-4-1/2

Item Code	Dimensions	Weight
SM8	3/4H x 3/8D x 96L	0.5 LB
ICM8	3/4H x 3/4D x 96L	0.7 LB
OCM8	3/4H x 3/4D x 96L	0.7 LB
QRM10	3/4H x 3/4D x 120L	1.3 LB
CR10	1-1/8H x 3/4D x 120L	2 LB
TLR10-A	1-1/2H x 2-1/4D x 120L	5 LB
SMLR10	1-1/2H x 2-1/4D x 120L	5 LB
OGM10	3H x 3/4D x 120L	6 LB
BM10-4-1/2	4-1/2W x 120H x 3/4D	8 LB



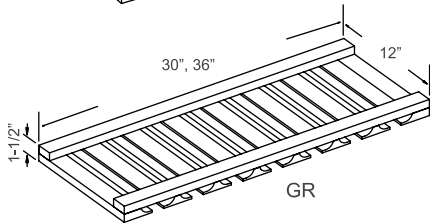
# ACCESSORIES

## WINE & GLASS RACK



### Features

- 10 Compartments in 30"W
- 14 Compartments in 36"W
- Matching Color Finish



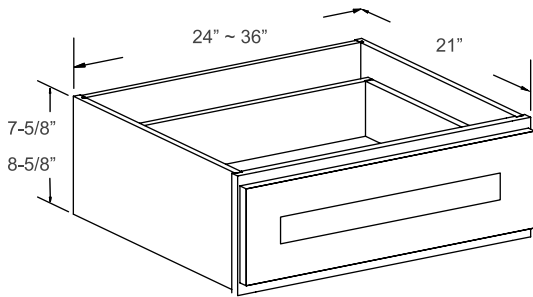
### Features

- 7 Rail Openings in 30"W
- 9 Rail Openings in 36"W
- Matching Color Finish

Item Code	Dimensions	Weight
30WR	30W x 15H x 12D	22 LB
36WR	36W x 15H x 12D	25 LB

30GR	30W x 1-1/2H x 12D	4 LB
36GR	36W x 1-1/2H x 12D	5 LB

## KNEE DRAWER



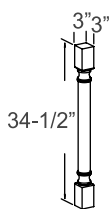
### Features

- 1 Drawer

Door style	Drawer Height
K10, K3, K8, A7, M01	6"
CO66, J5, S8, S5, S2, S1 H9, H8, H3, E1, E2, E3	7"

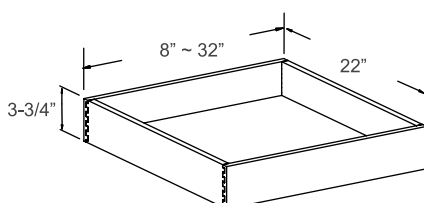
Item Code	Dimensions	Weight
FD24	24W x 21D	26 LB
FD27	27W x 21D	29 LB
FD30	30W x 21D	32 LB
FD36	36W x 21D	36 LB

## POST



Item Code	Dimensions	Weight
SP3X34-1/2	3W x 34-1/2H x 3D	5 LB

## ROLL-OUT TRAY



### Features

- Clear Coat Finish
- 1 Pair Of Ball Bearing Soft-Close Side Glides

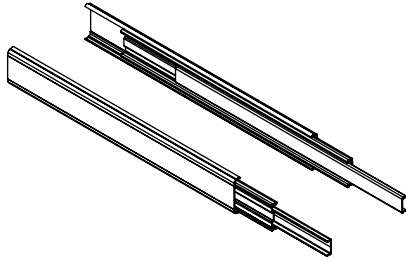
\* For 24" Deep Cabinet only.  
25" Glide Sold Separately for Pantry.

Item Code	Dimensions	Weight
RD12	8W x 3-3/4H x 22D	8 LB
RD15	11W x 3-3/4H x 22D	9 LB
RD18	14W x 3-3/4H x 22D	10 LB
RD21	17W x 3-3/4H x 22D	10 LB
RD24	20W x 3-3/4H x 22D	11 LB
RD27	23W x 3-3/4H x 22D	11 LB
RD30	26W x 3-3/4H x 22D	13 LB
RD33	29W x 3-3/4H x 22D	13 LB
RD36	32W x 3-3/4H x 22D	14 LB

**IMPORTANT:** All specifications are subject to change without notice. All images are for reference only. To ensure your highest satisfaction, we strongly recommend contacting us and viewing an actual sample to understand product style and construction before making a purchase.

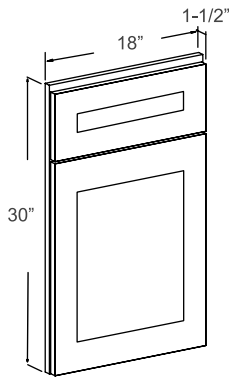
# ACCESSORIES

## MISCELLANEOUS

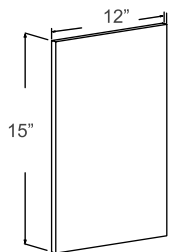


Item Code
ROLL TRACK 15"
ROLL TRACK 18"
ROLL TRACK 21"
ROLL TRACK 24"

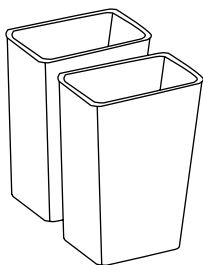
## MISCELLANEOUS



Item Code	Dimensions	Weight
B18F	18W x 30H x 1-1/2D	11 LB



Item Code	Dimensions	Weight
12*15	12W x 15H	



7 Gallon Each

Item Code
TRASH CAN



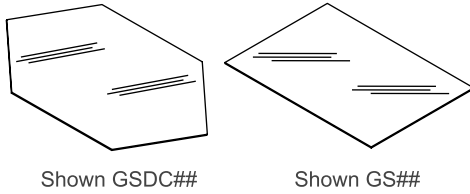
Item Code
TOUCH UP KIT



Item Code
GAS SPRING HINGE

# ACCESSORIES

## GLASS SHELF

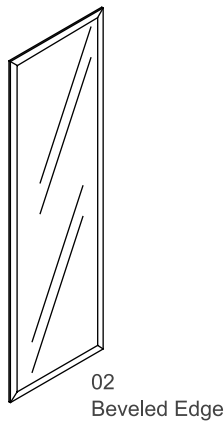


### Features

- Use On WM####H Cab.
- *Caution When Shipping.*

Item Code	Weight
GS12	3 LB
GS15	4 LB
GS18	5 LB
GS21	6 LB
GS24	7 LB
GS27	8 LB
GS30	8 LB
GS33	9 LB
GS36	10 LB
GSDC24	15 LB

## GLASS INSERT



Style	Beveled Edge
Size Code	A02/K02

### Features

- Use On WM####H
- WM24##H ~ WM36##H Cab:  
Need Two Glass Inserts.

Item Code	Weight
WM1212G-A02/K02	1 LB
WM1230G-A02/K02	3 LB
WM1236G-A02/K02	4 LB
WM1242G-A02/K02	4 LB
WM1512G-A02/K02	1 LB
WM1530G-A02/K02	4 LB
WM1536G-A02/K02	5 LB
WM1542G-A02/K02	6 LB
WM1812G-A02/K02	2 LB
WM1830G-A02/K02	6 LB
WM1836G-A02/K02	7 LB
WM1842G-A02/K02	8 LB
WM2112G-A02/K02	2 LB
WM2130G-A02/K02	7 LB
WM2136G-A02/K02	9 LB
WM2142G-A02/K02	10 LB
WM2730G-A02/K02	4 LB
WM2736G-A02/K02	5 LB
WM2742G-A02/K02	5 LB
WM3330G-A02/K02	5 LB
WM3336G-A02/K02	6 LB
WM3342G-A02/K02	7 LB





### **Austin, Texas**

📍 10508 Boyer Blvd., Suite A Austin, TX 78758

✉️ [austin@jk-cabinetry.com](mailto:austin@jk-cabinetry.com)

☎️ (512)-520-5108

### **Dallas, Texas**

📍 2250 Lyndon B Johnson Fwy #100 Dallas, TX 75234

✉️ [dallas@jk-cabinetry.com](mailto:dallas@jk-cabinetry.com)

☎️ (972)-247-6414

### **Houston, Texas**

📍 6615 Roxburgh Dr #100 Houston, TX 77041

✉️ [houston@jk-cabinetry.com](mailto:houston@jk-cabinetry.com)

☎️ (713)-466-3800

### **Nashville, Tennessee**

📍 512 Salyers Drive Building 300 La Vergne, TN 37167

✉️ [nashville@jk-cabinetry.com](mailto:nashville@jk-cabinetry.com)

☎️ (615)-257-4118

### **General Inquiries**

Please visit our website or email [support@jk-cabinetry.com](mailto:support@jk-cabinetry.com)

[WWW.JK-CABINETRY.COM](http://WWW.JK-CABINETRY.COM)

Copyright © 2024 J&K International Group, LLC. All Rights Reserved.