

**connect.
collaborate.
engage.**



plus

Wireless microphone system

Create immersive communication experiences for all participants in any situation.

catchbox.com

Get people → talking.

Create more collaborative experiences with Catchbox microphones. Increase engagement in any space and ensure that no contribution is missed.



Education

Hear both teachers and students in classrooms, lectures and collaborative spaces. Enhance classroom learning and encourage participation.



Companies

Facilitate collaboration and improve communication in meetings, trainings and employee onboarding. Hear everyone no matter the size of the room.



Events

Increase audience engagement in discussions and Q&A sessions. Capture audio from anywhere and encourage participation from the audience.

Top organizations choose Catchbox

UNIVERSITY OF
Nebraska

airbnb

THE UNIVERSITY
OF ARIZONA

facebook

slido

Catchbox microphones change the dynamics of a typical class conversation to support student-powered dialogue. The Cube throwable microphone ensures that all student contributions are heard.

INDIANA UNIVERSITY

After our first hybrid meeting with Catchbox Plus, our New York office - who have previously suffered from poor audio - immediately asked us what our new setup was. It was such an improvement to what they had been used to.

AIRTAME

Catchbox Plus

The complete microphone solution

Effective audio capture

Give everyone a voice and hear all participants no matter where they are in the room. Present with confidence using the hands-free Clip mic and take contributions from anywhere with the Cube throwable microphone.

Versatile applications

Audio is an essential component of modern collaboration. Catchbox Plus is ideal for voice lift, hybrid setups and recordings providing crisp audio no matter the size of the room. From plug & play to networked installations, the system ensures a hassle-free setup.

User-friendly design

Catchbox Plus system was designed with the user in mind. Dedicated charging docks ensure that the mics are always ready for use. When it's time to speak, simply pick up mics from chargers and start speaking.



Catchbox Plus

Explore the Plus system



Cube

For audience audio capture

Reach anyone in the room with the Cube throwable audience mic. The Cube is ideal for creating immersive and collaborative discussions no matter the size of the crowd. Simply throw the Cube around the room and ensure every voice in the room is heard.

Clip

For seamless presentations

Provide seamless hands-free presentations with the Clip lavalier microphone. The Clip houses a powerful microphone in a compact, user-friendly design. Clip can be worn by the moderator to ensure seamless audio capture and powerful presentations.



Hub

For versatile connectivity

Connect up to two microphones to the Hub receiver. The Hub offers versatile connectivity options for both simple plug & play and pro setups. The Plus Pro configuration adds Dante audio over IP, PoE and API remote monitoring options.

Hear everyone in the room



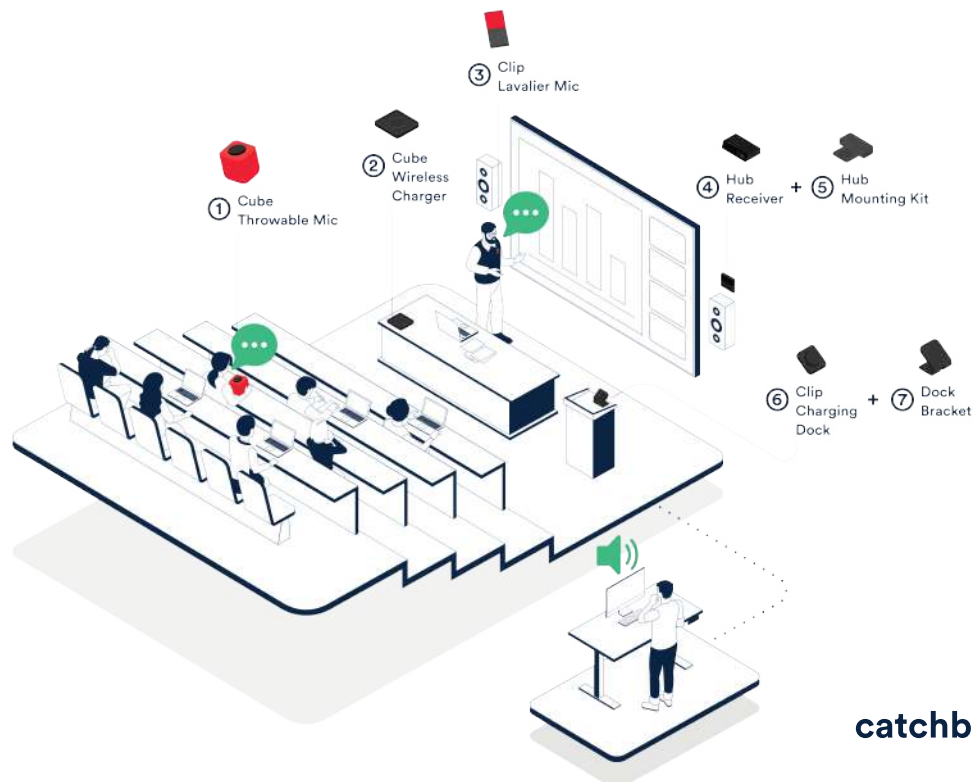
Crystal clear audio

Ensure everyone can contribute without inviting unwanted noise. Catchbox mics are designed to be close to the source of sound, meaning remote participants will only hear the intended speaker. Use Clip and Cube mics in tandem to create dynamic discussions and encourage active listening.



Intuitive installations

Create more manageable spaces at scale. Mountable components and dedicated charging docks ensure your mics are always ready to go. Connect and monitor your installed systems via network API or utilize built-in Dante™ audio over IP with power over ethernet (PoE).



Catchbox Plus

Now with ViralOff™

All Cube covers and foam caps are treated with Polygiene ViralOff technology. ViralOff is an antimicrobial treatment that reduces over 99% of microbes on the treated material*. The treated fabrics are skin friendly and do not interfere with the natural bacterial flora of the skin. ViralOff is always on and thus ensures your Cube mic is always ready for use.

**99% reduction in bacteria and viruses
present on fabric***



Skin-friendly



Dirt repellent



Self-disinfecting



ViralOff
POLYGIENE TECHNOLOGY

Learn more
explore.catchbox.com/viraloff

*Reduces over 99% of selected viruses within 2 hours on specific materials. Tested by international standard ISO 18184 on SARS-CoV-2, H3N2, H1N1. Polygiene ViralOff™ does not prevent diseases but protects the treated material.

Catchbox Plus

Technical Specifications



Catchbox Plus is a wireless microphone system featuring Cube throwable mic, Clip lavalier mic and Hub receiver. Plus system is designed for both - mobile plug & play setups and complex multi-room installations in medium to large rooms. Compatible accessories ensure flexibility, hassle-free maintenance and secure installation. Catchbox Plus is ideal for voice amplification and hybrid setups in lectures, meetings and events.

General Specifications

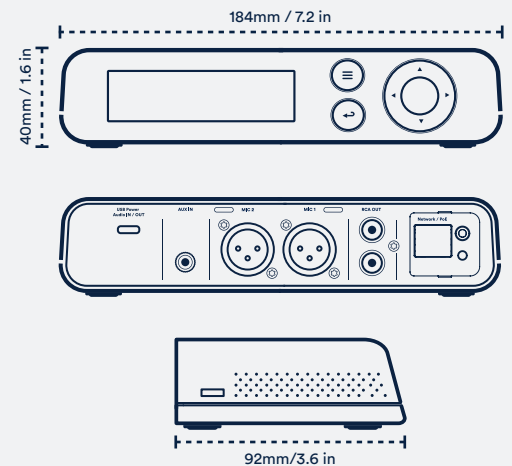
Audio latency	12 ms
Audio encryption	AES128
Radio frequency band	DECT / DECT 6.0 (1.8 / 1.9 GHz band) We will ship the product according to your provided shipping address
Radio output power	Up to 100 mW, controllable from Hub
Max # of transmitters in one space	EU: up to 10, US: up to 6
Wireless range	100 m / 330 ft (Line of Sight)*
Operating temperature range	0 °C (32 °F) to 30 °C (86 °F)

* The actual operating range depends upon the RF output settings, the surroundings, the signal absorption, signal reflection and signal interference

Hub

Two mic channel receiver with a graphical UI and built-in mixing capabilities.

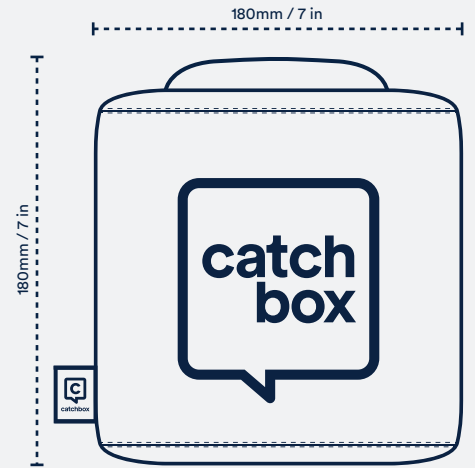
Audio outputs	Mic 1 - XLR - balanced, Mic level Mic 2 - XLR - balanced, Mic level Mix output - USB-C - digital output Mix output - RCA - unbalanced, Line level
Audio inputs	USB-C - digital input Aux-in - 3.5mm - unbalanced, Line level
Dante™ audio networking	PRO
API / Remote monitoring	PRO
Antenna type	Built-in antennas
Kensington lock	Yes
Stealth mode	Yes
Weight (without Wall mounting kit)	300 g / 10.58 oz
Dimensions (without Wall mounting kit)	184 x 92 x 40 mm / 7.2 x 3.6 x 1.6 in



Cube

Wireless throwable microphone that can be thrown or passed around the room for audience audio capture.

Audio frequency response	50 to 20000 Hz
Microphone element	Electret condenser, omni-directional
Built-in Automute technology	Yes**
Battery type	Li-ion, rechargeable
Battery life	Typical 12h***
Battery charge time	Catchbox Wireless charger: 6h USB-C: 3h
Weight	370 g / 13.05 oz
Dimensions	180 x 180 x 180 mm / 7 x 7 x 7 in



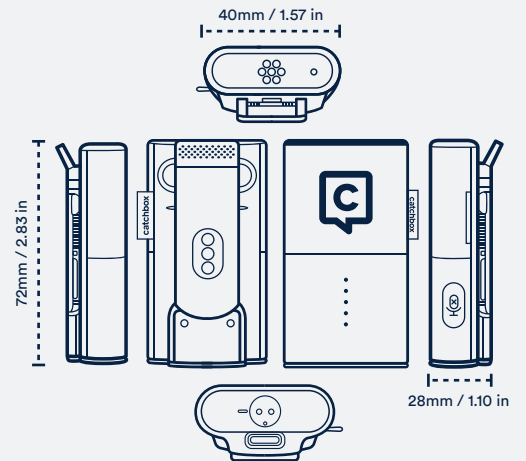
Clip

Wireless lavalier microphone that can be clipped on or worn on the lanyard by the presenter.

Audio frequency response	50 to 20000 Hz
Microphone element	Electret condenser, omni-directional
Quick-mute function	Yes
Battery type	Li-ion, rechargeable, replaceable
Battery life	Typical 8h***
Battery charge time	Catchbox Dock: 2h USB-C: 2h
Attachment types	Lever (clip on clothing) Lanyard (wear around the neck)
Weight	57 g / 2.01 oz
Dimensions (with lever)	40 x 72 x 28 mm / 1.57 x 2.83 x 1.10 in

** Automute technology temporarily switches off audio when the microphone is caught, thrown or dropped to eliminate unwanted noise

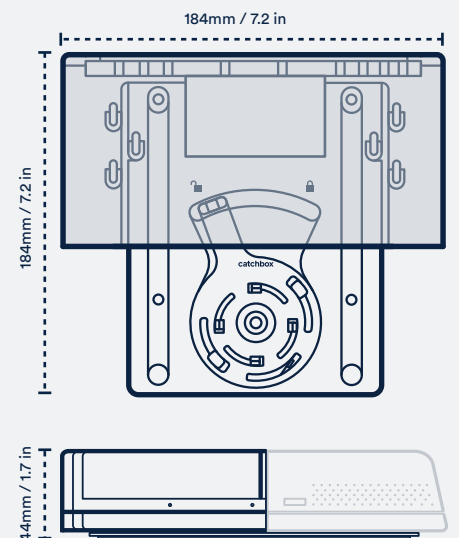
*** Depends on selected RF power level



Mounting Kit

An accessory that allows you to lock and mount the Hub on any direction oriented surface.

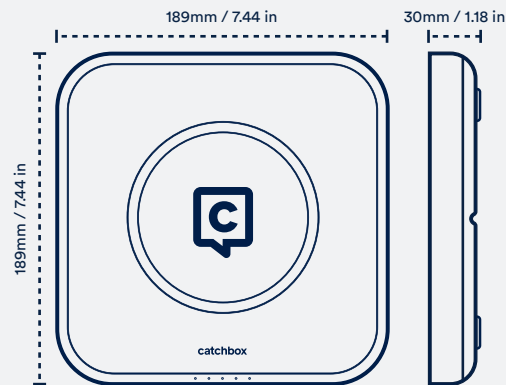
Compatible with	Hub
Mounting options	Dual lock for adhesion mount VESA 100mm pattern for Screw mount
Cable manager	Yes
Weight (without mounting kit)	190 g / 6.70 oz
Dimensions (without mounting kit)	184 x 184 x 44 mm / 7.2 x 7.2 x 1.7 in



Cube Wireless Charger

Home station for the Cube microphone.
Place the Cube on the Wireless Charger to turn off the mic and start charging.

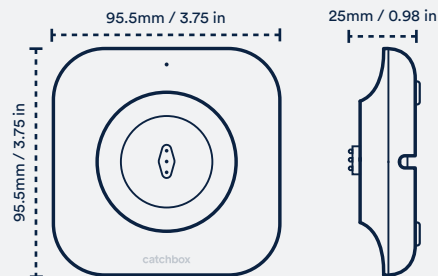
Compatible with	Cube
Charging protocol	Catchbox proprietary
Power supply	5V 1A USB-C
Weight	385 g / 13.6 oz
Dimensions	189 x 189 x 30 mm / 7.44 x 7.44 x 1.18 in



Dock Charger

Home station for the Clip microphone. Snap the Clip on the Dock to turn off the mic and start charging.

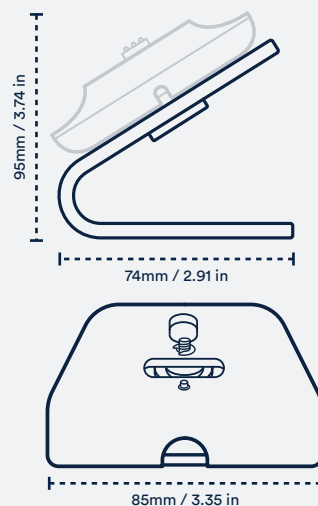
Compatible with	Clip
Power supply	5V 1A USB-C
Daisy chain	Up to 4 Docks
Weight	150 g / 5.29 oz
Dimensions	95.5 x 95.5 x 25 mm / 3.76 x 3.76 x 0.98 in



Dock Bracket

Elevated mount for the Dock Charger. Attaches to horizontal or vertical surfaces.

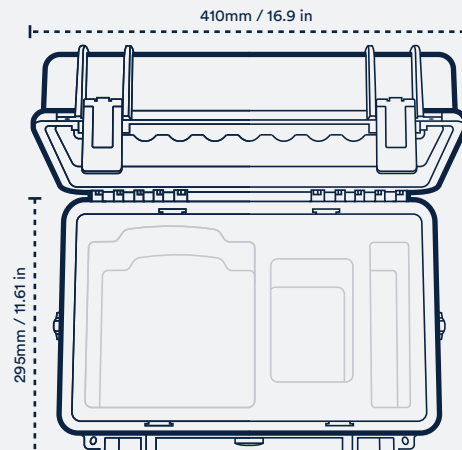
Compatible with	Dock Charger
Weight	500 g / 17.64 oz
Dimensions	85 x 95 x 74 mm / 3.35 x 3.74 x 2.91 in



Storage Case

Dedicated storage case for the Plus system components (Clip and Cube bundle)

Compatible with	Hub, Clip, Cube, Cub, Wireless Charger, Dock Charger, Dock Bracket, Mounting kit, Cables
Weight	3 kg / 6.61 lb
Dimensions	410 x 275 x 295 mm / 16.14 x 10.82 x 11.61 in





Contact us to learn more



+91. 80953 96969
blueloop@blueloop.in
www.blueloop.in

