

plus



Wireless microphone system



Modern solutions for modern spaces

Intuitive technology for crisp audio capture in
unsupervised spaces.

www.catchbox.com

Technical specifications

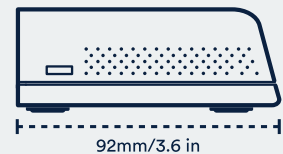
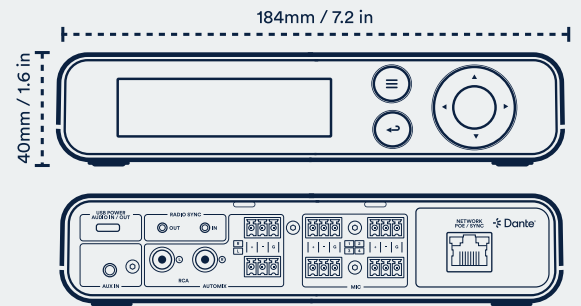
Catchbox Plus general specifications

Audio latency	19 ms
Audio encryption	AES256 (available late 2024)
Radio frequency band	DECT / DECT 6.0 (1.8 / 1.9 GHz band) We will ship the product according to your provided shipping address
Radio output power	Up to 63mW, controllable from Hub
Max # of transmitters in one space	Unsynchronised EU: up to 10, US: up to 6 Synchronised EU: up to 20, US: up to 12
Wireless range	100 m / 330 ft (line of sight)*
Operating temperature range	0 °C (32 °F) to 30 °C (86 °F)

* The actual operating range depends upon the RF output settings, the surroundings, the signal absorption, signal reflection and signal interference

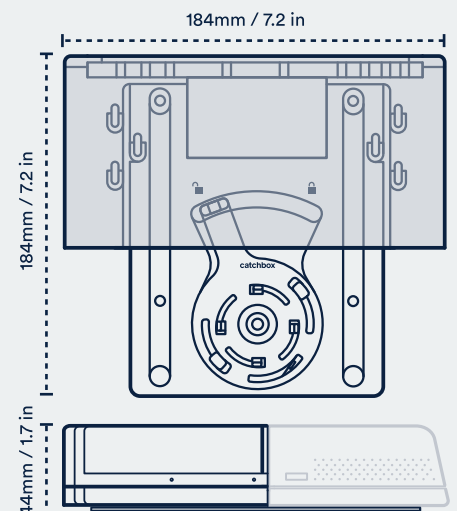
Hub (2 or 4 channel configuration)

Audio outputs	Mic 1 - 3-pin, balanced, Mic level Mic 2 - 3-pin, balanced, Mic level Mic 3 - 3-pin, balanced, Mic level Mic 4 - 3-pin, balanced, Mic level Automix - RCA, unbalanced, Line level Automix - L&R, 3-pin, balanced, Mic level Automix - USB-C, digital output
Audio inputs	USB-C - digital input Aux-in - 3.5mm - unbalanced, Line level
Dante™ audio networking	Audio in & out (4x4)
Remote control & monitoring	API Utelogy, Q-sys Catchbox Control Software
Radio sync	Local 2.5mm
Antenna type	Built-in antennas
Kensington lock	Yes
Stealth mode	Yes
Weight (without Mounting kit)	300 g / 10.58 oz
Dimensions (without Mounting kit)	184 x 92 x 40 mm / 7.2 x 3.6 x 1.6 in



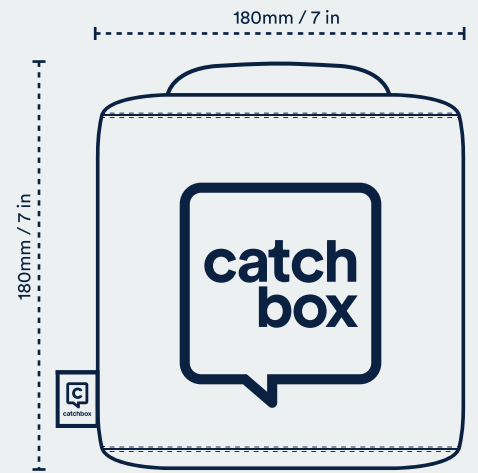
Mounting Kit

Compatible with	Hub
Mounting options	Dual lock for adhesion mount VESA 100mm pattern for Screw mount
Cable manager	Yes
Weight (without mounting kit)	190 g / 6.70 oz
Dimensions (without mounting kit)	184 x 184 x 44 mm / 7.2 x 7.2 x 1.7 in



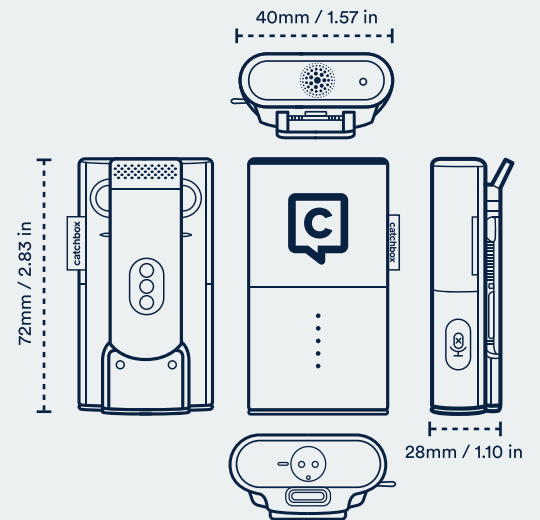
Cube

Audio frequency response	50 to 20000 Hz
Microphone element	Electret condenser, focused omni-directional
Built-in Automute™ technology	Yes**
Battery type	Li-ion, rechargeable
Battery life	Typical 22h***
Home station - charging base	Yes (included)
Battery charge time	Wireless charger: 6h USB-C: 3h
Weight	370 g / 13.05 oz
Dimensions	180 x 180 x 180 mm / 7 x 7 x 7 in



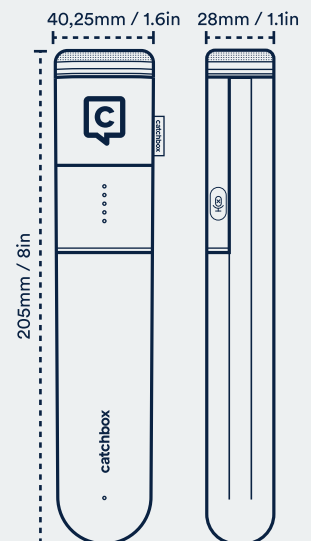
Clip

Audio frequency response	50 to 20000 Hz
Microphone element	Electret condenser, focused omni-directional
Quick-mute function	Yes
Battery type	Li-ion, rechargeable, replaceable
Battery life	Typical 8h***
Home station - single & dual dock charger	Yes (included)
Battery charge time	Dock charger: 2h USB-C: 2h
Attachment types	Lever (clip on clothing) Lanyard (wear around the neck)
Weight	57 g / 2.01 oz
Dimensions (with lever)	40 x 72 x 28 mm / 1.57 x 2.83 x 1.10 in



Stick

Audio frequency response	50 to 20000 Hz
Microphone element	Electret condenser, focused omni-directional
Quick-mute function	Yes
Battery type	Li-ion, rechargeable, replacable
Battery life	Typical 8h***
Home station - single & dual dock charger	Yes (included)
Battery charge time	Dock charger: 2h USB-C: 2h
Attachment types	No
Weight	232g / 8.18 oz
Dimensions	40,25 x 205 x 28 mm / 1.6 x 8 x 1.1 in



** Automute technology temporarily switches off audio when the microphone is caught, thrown or dropped to eliminate unwanted noise

*** Depends on selected RF power level