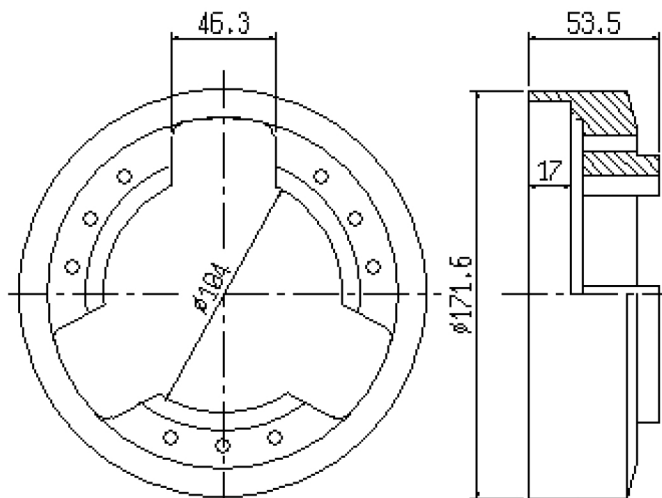
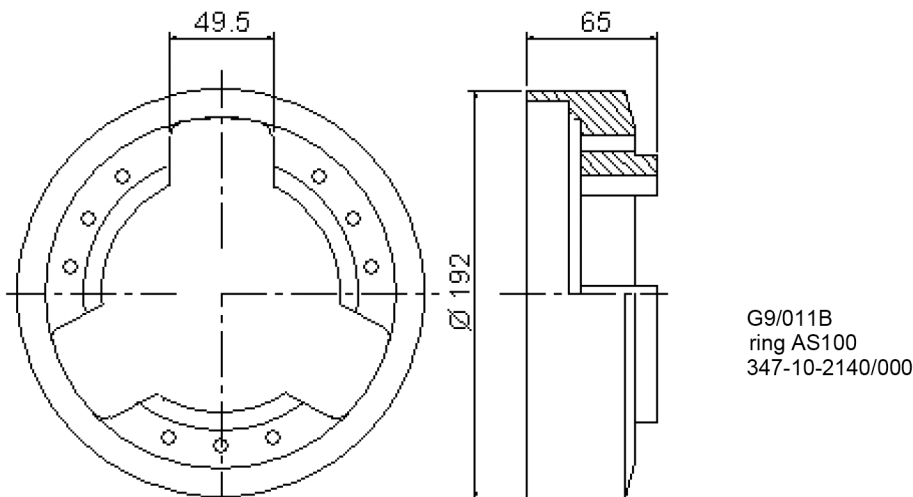
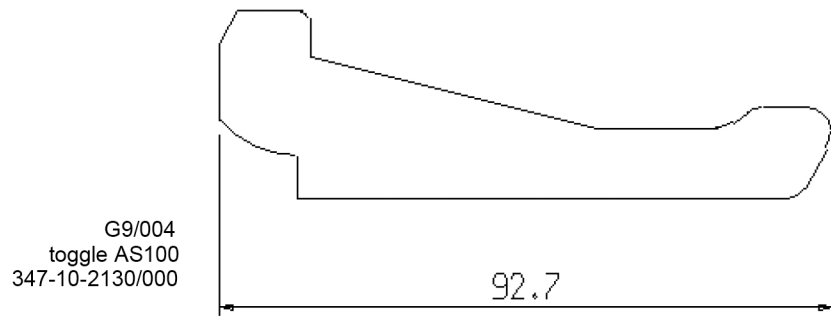
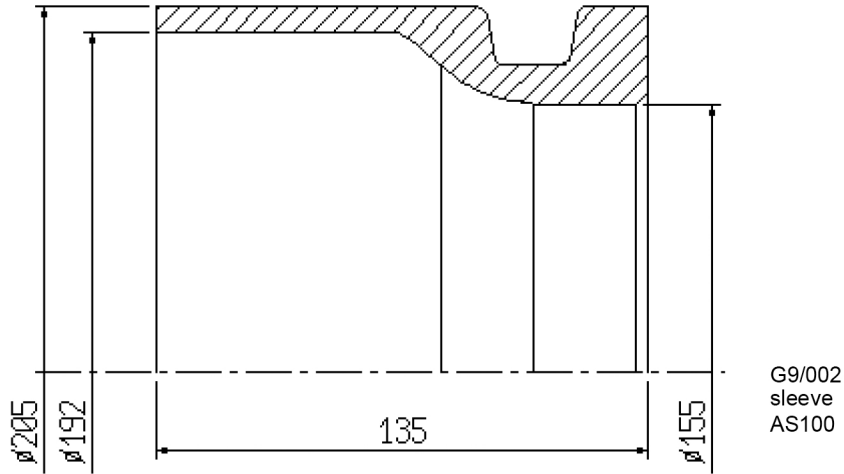


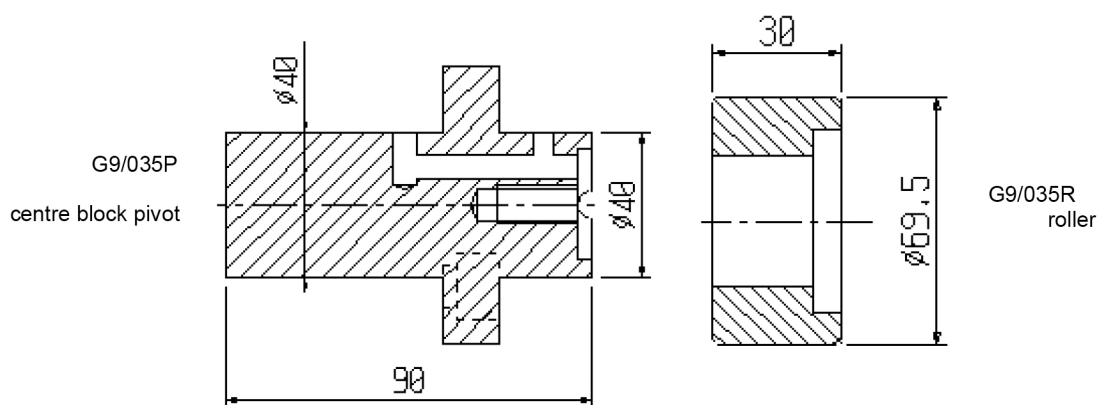
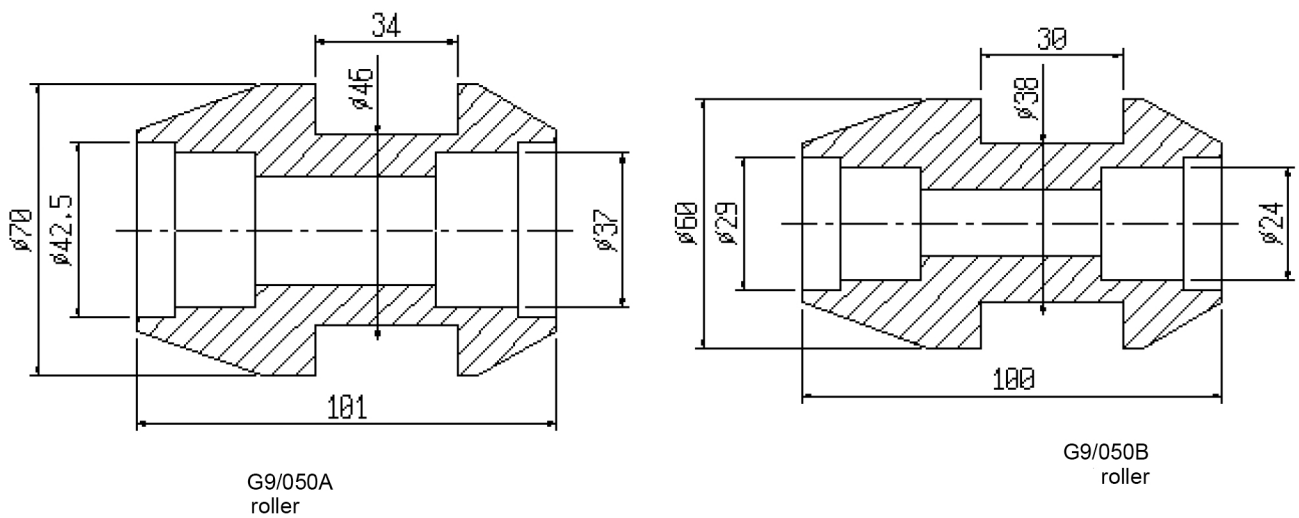
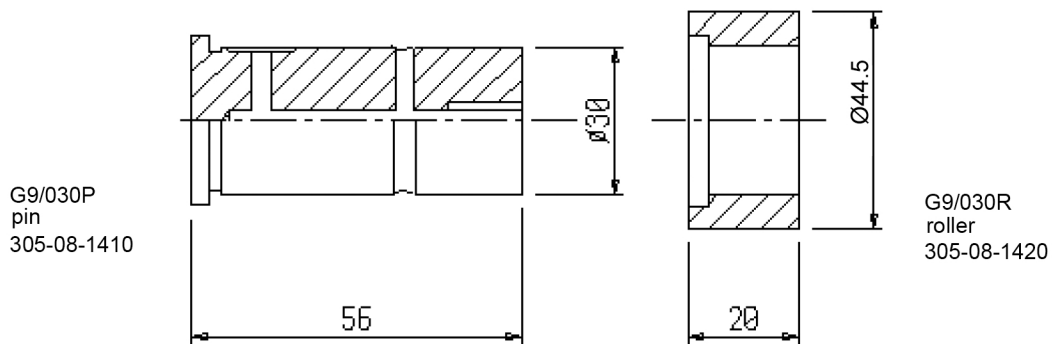
G9/001  
sleeve  
AS82

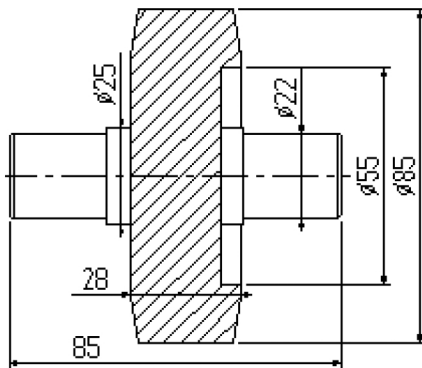
G9/003  
toggle AS82  
327-10-2130/002



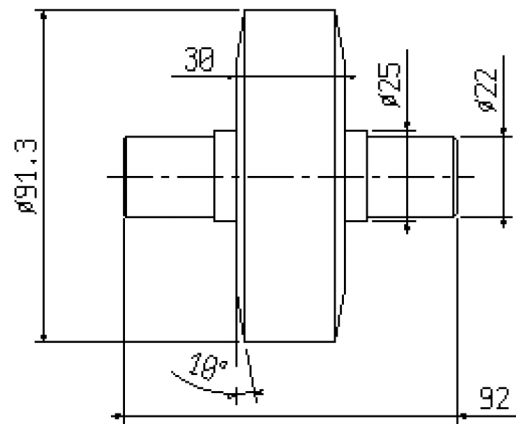
G9/011  
ring AS82







G5/040  
roller



G5/040B  
roller



G9/039  
pivot