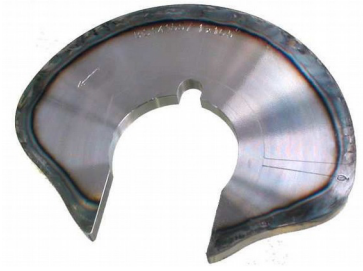


**SPARE PARTS AND ATTACHMENT
FOR MULTISPINDLE MACHINES**

**TORNOS BS20
TORNOS BS20B**

CAMS AND GEARS

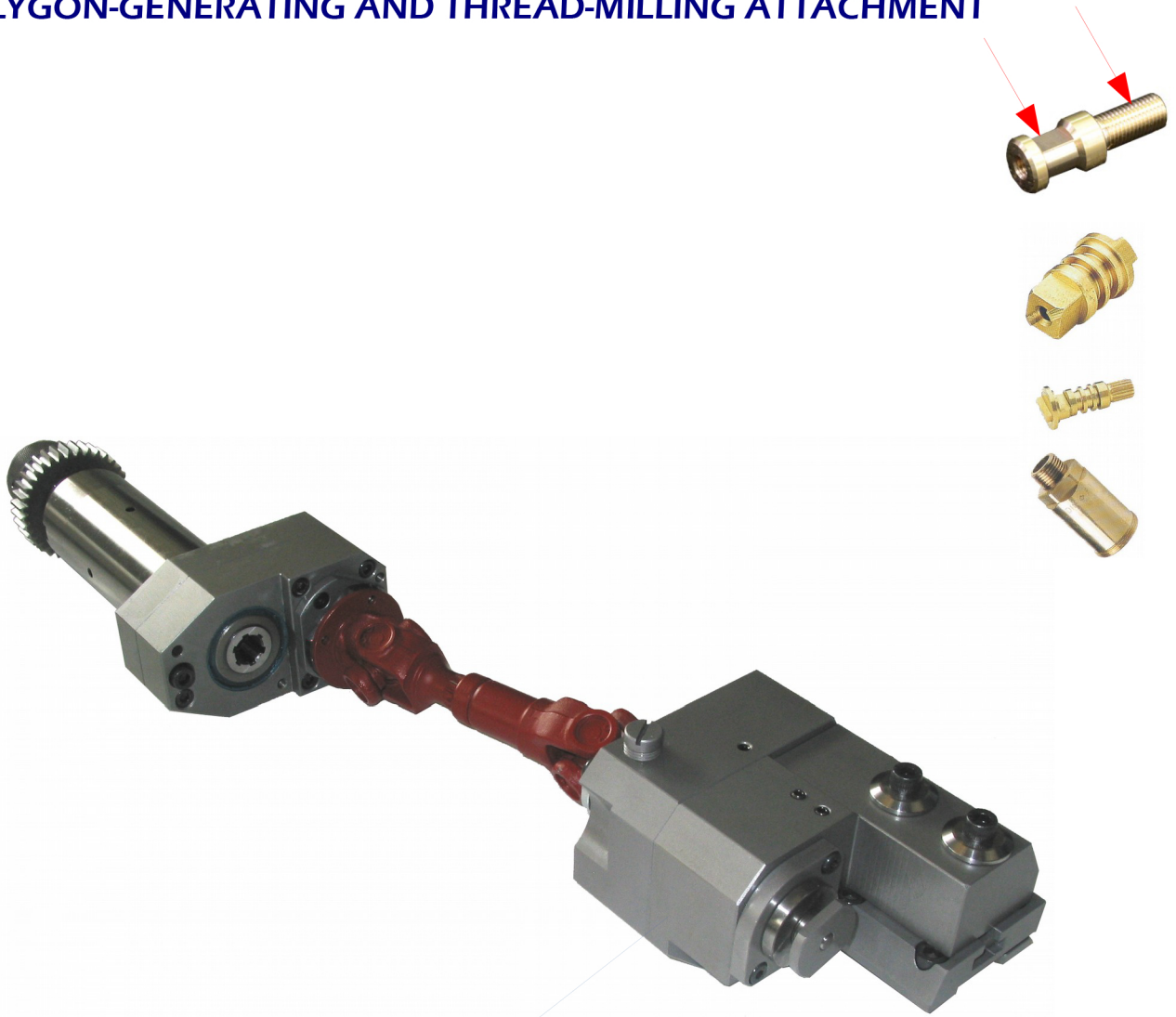


STANDARD CAMS
CAM STANDARD



IV/R3
Speed gears - Pignon de vitesse

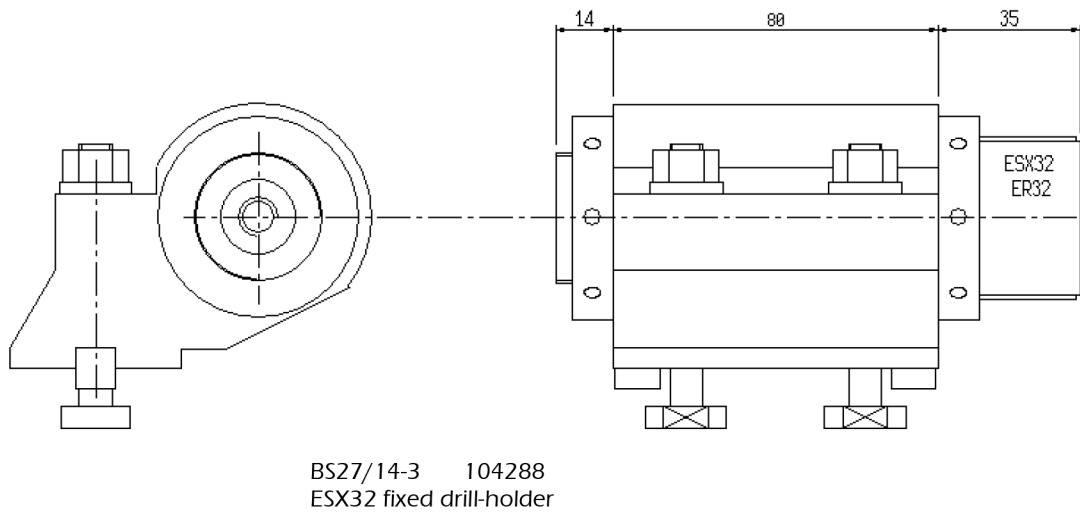
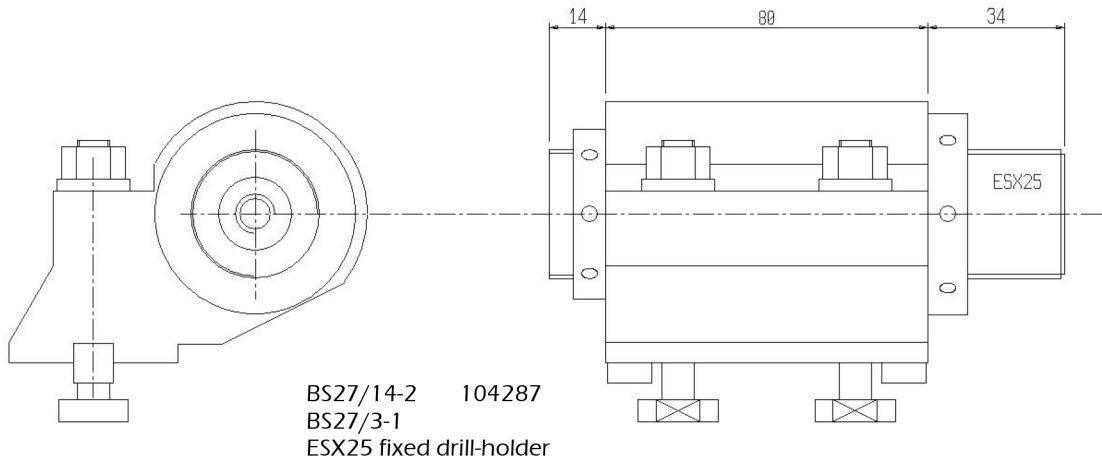
POLYGON-GENERATING AND THREAD-MILLING ATTACHMENT



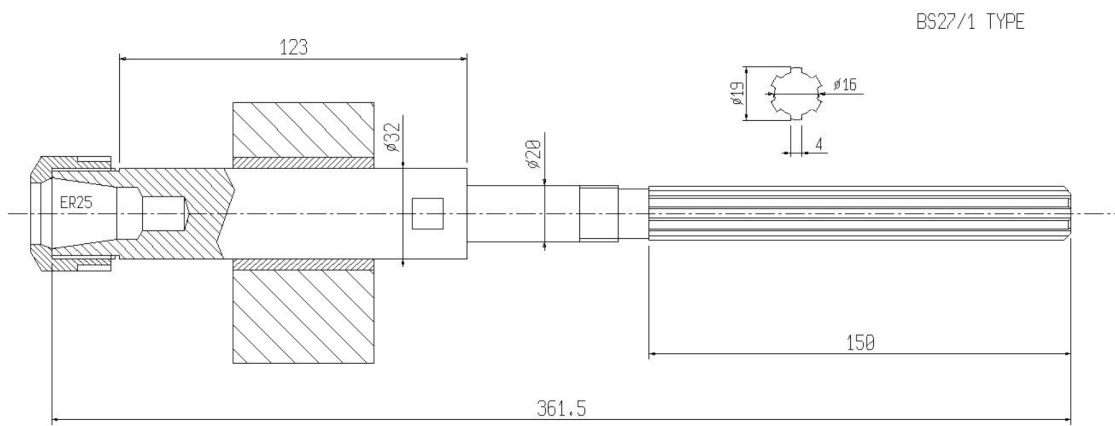
Tool-head
good for cross slide pos. 1-2-5-6

This attachment is designed to mill flats (polygons) with a ratio speed of 1:2, or threads with a ratio speed of 1:1, on the external side of the component. You can change the ratio speed by replacing a couple of gears inside the Driving Gear-Box. WE can supply both kind of tool-heads, the one for pos. 1-2-5-6 (as in the picture), but also the one for pos. 3-4-7

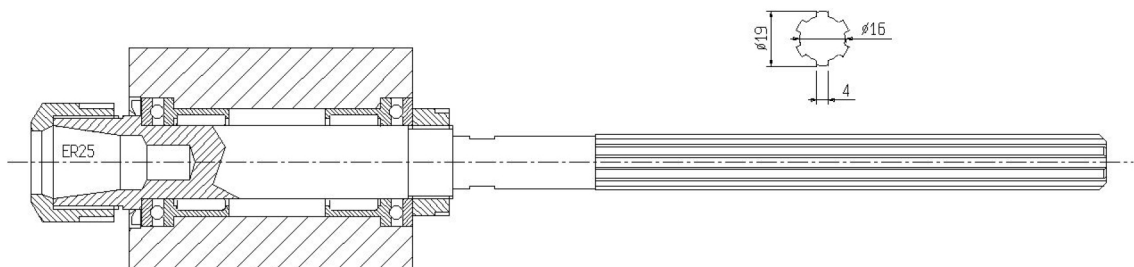
DRILL-HOLDERS



DRILL-HOLDERS

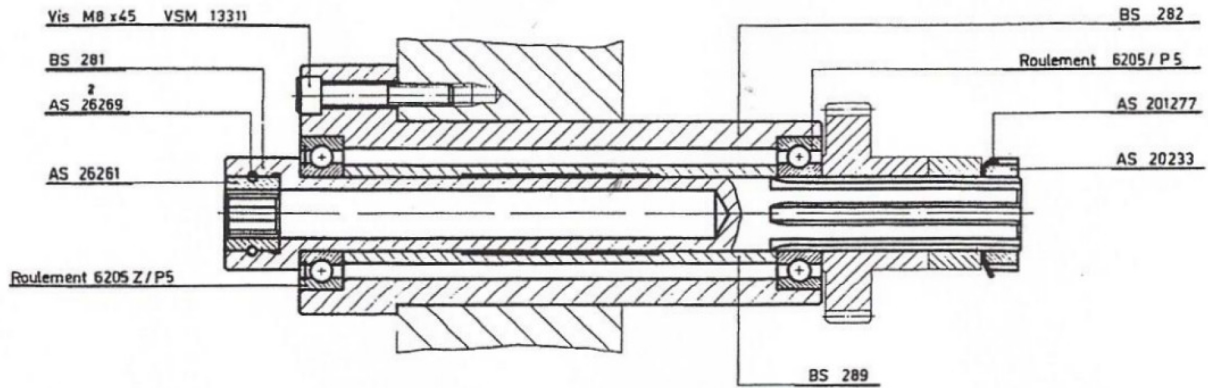


BS27/1
ESX25 Independent rotating drill-holder

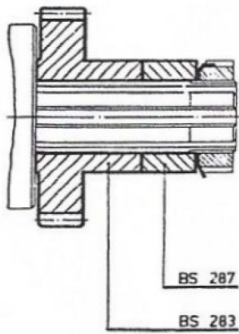


BS27/2
ESX25 Fixed rotating drill-holder

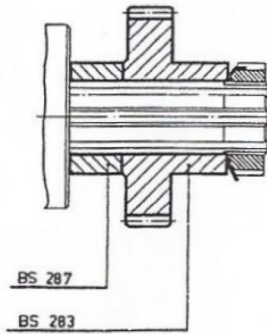
DRIVING QUILLE



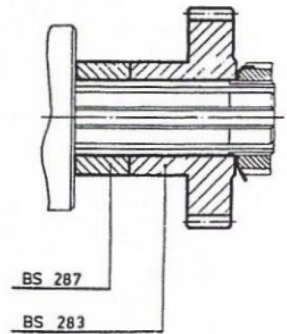
BS-28/8 A



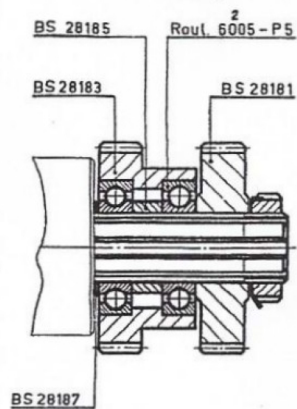
BS-28/8 B



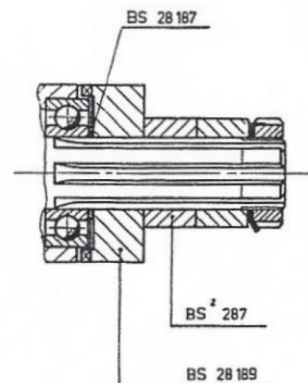
BS-28/8 C

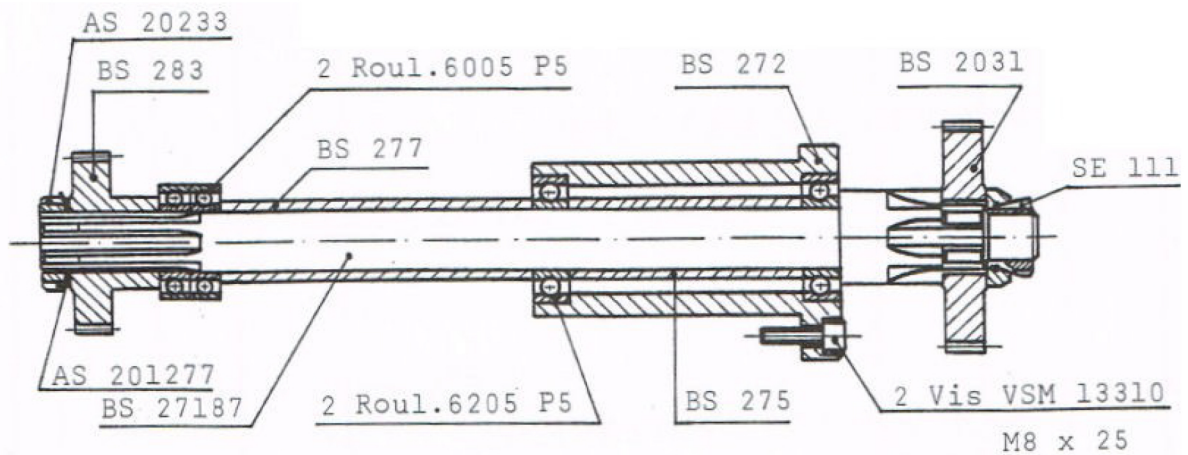


BS-28/8 D



BS-28/8 F



BS27/4 DRILLING SHAFT


Perçage rapide
 Schnelles Bohren
 Fast drilling

P2	P3	Rapport
26	79	1,25
30	75	1,30
38	67	1,40
42	63	1,50
53	52	1,75
60	45	2,00
65	40	2,20

Perçage lent
 Langsames Bohren
 Slow drilling

P1	P3	Rapport
26	79	0,84
30	75	0,80
38	67	0,72
42	63	0,67
53	52	0,50
60	45	0,33
65	40	0,22

REPLACEMENT PARTS



R3/003
Chuck lever
Chiens
(BS12375-045397)



R3/001B
Toggle sleeve
Bobino de serrage
(BS12315 - 045394)

R3/041R
Roller Ø19/Ø28,5/15
(BS16281 - 045468)



R3/041P
Pin (049175?)

R3/040R
Roller Ø18/Ø27,5/14,5



R3/001
Toggle sleeve
Bobino de serrage
(BS12169-01)



R3/031R
Roller
Ø15/Ø30/12mm



R3/031P
Pin
Ø15/56mm



R3/011C
Toggle holder
(996205)



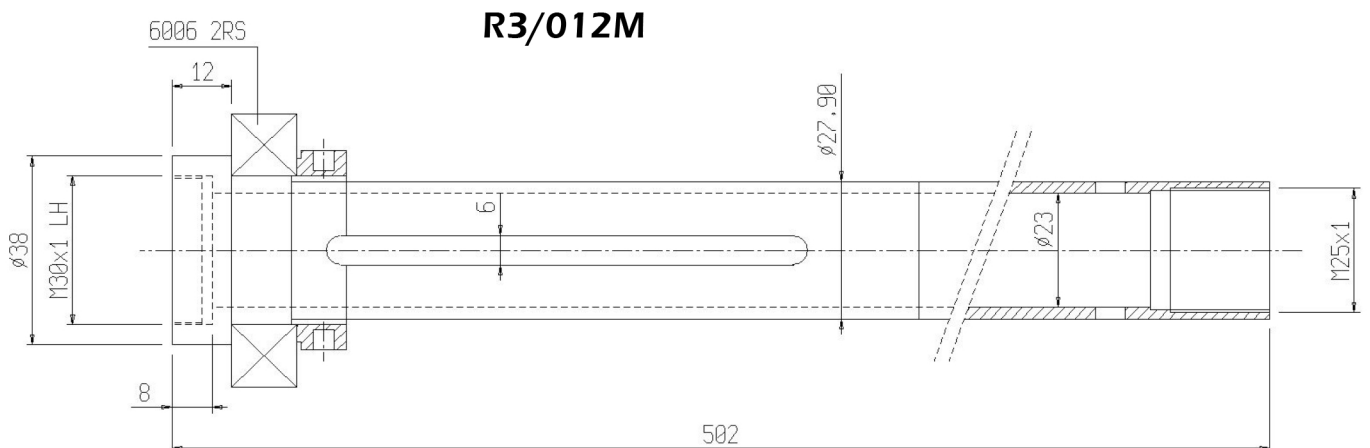
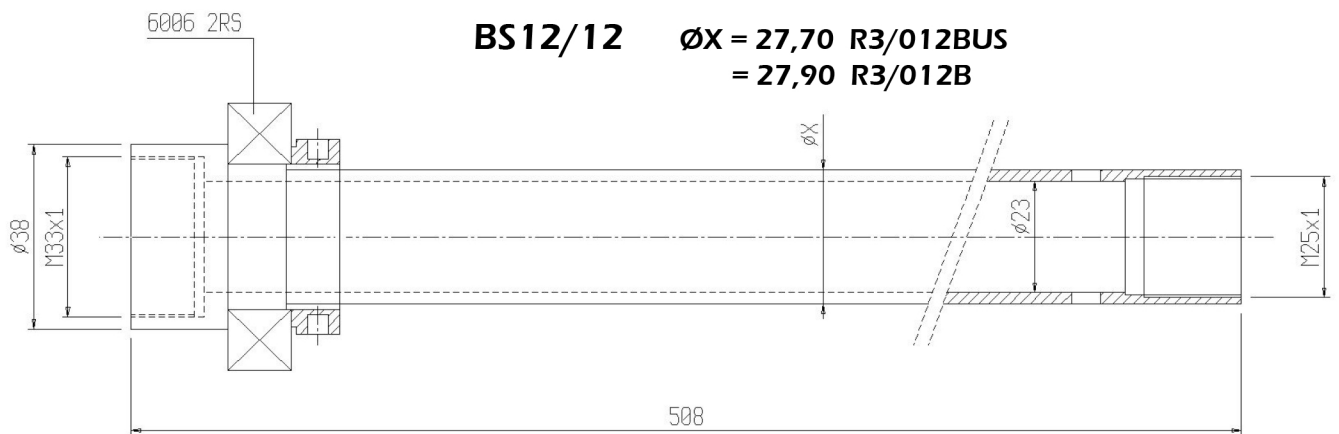
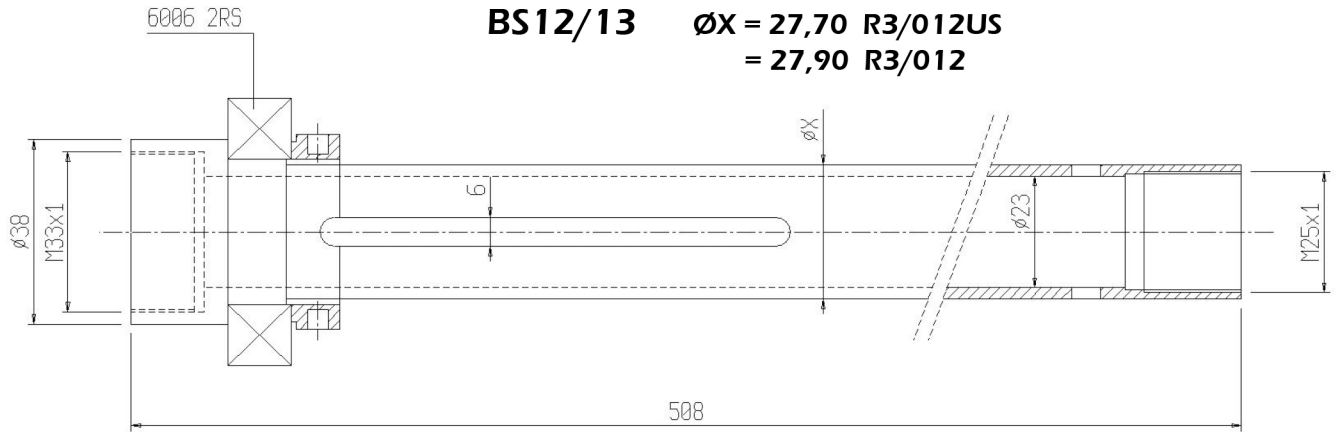
R3/053
Pulley shaft
Poulie arbre

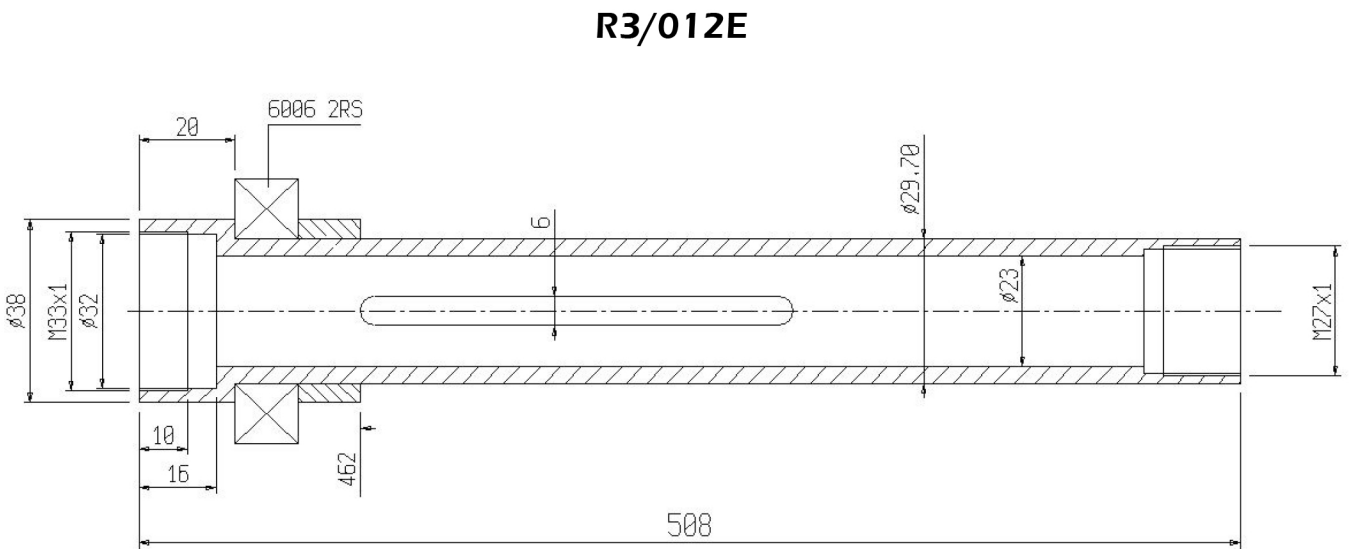
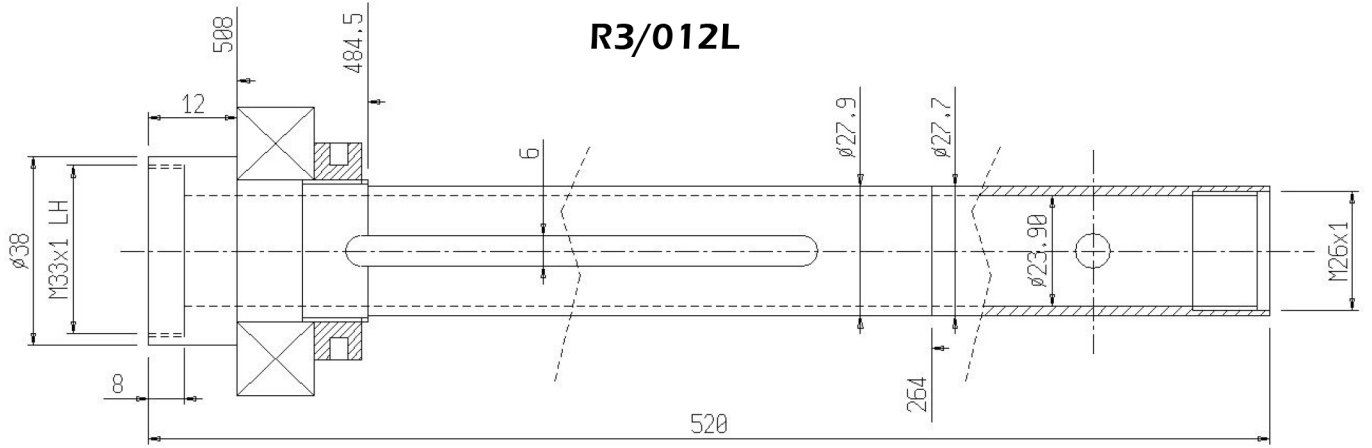
R3/006
Pick-off chuck lever
Chien pour contrebroche
(066900)



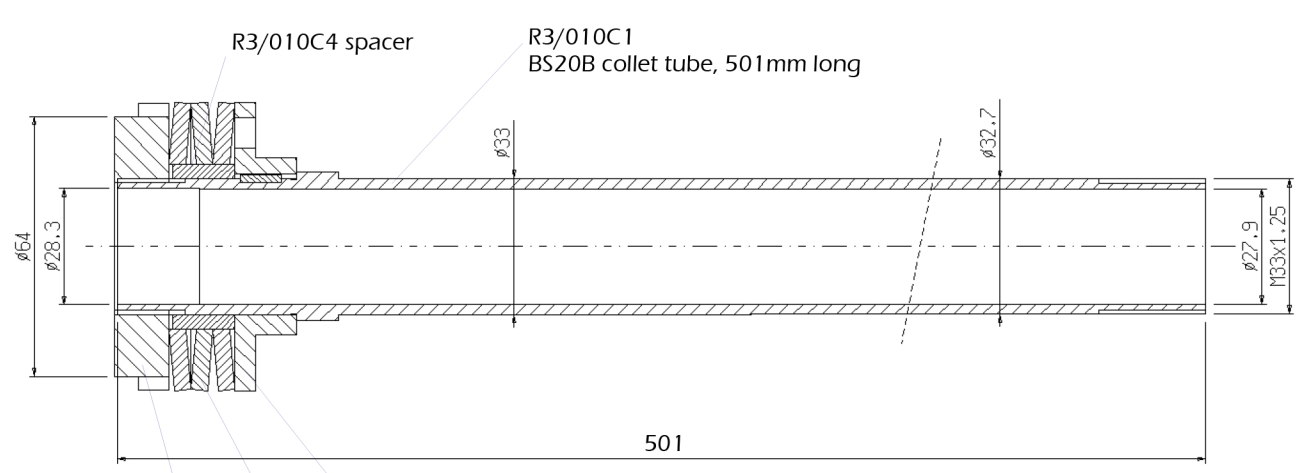
R3K/005
Pick-off sleeve
Bobino pour contrebroche







REPLACEMENT PARTS



R3/010C4 spacer

R3/010C1
BS20B collet tube, 501mm long

501

Ø64

Ø28.3

Ø33

Ø32.7


Ø27.9

M33x1.25

R3/010C2 Ring

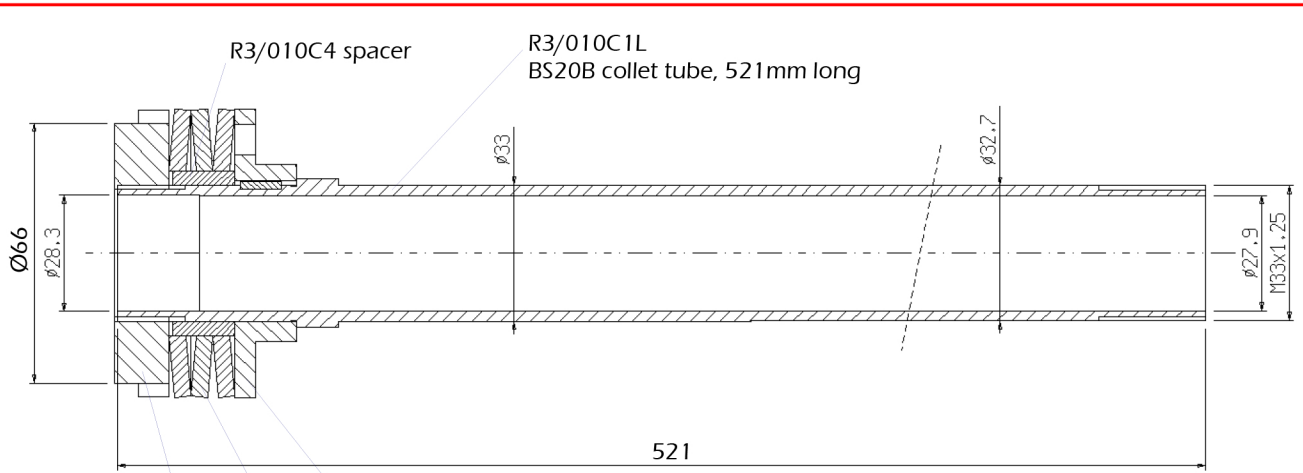
Belleville washers 70/40,5/4

R3/010C3 Nut with Ø64



R3/012C_70 Øe70
Feed tube phasable ring
Bague pour synchronizer le tube d'avance

BS12/11 for BS20B



R3/010C4 spacer

R3/010C1L
BS20B collet tube, 521mm long

521

Ø66

Ø28.3

Ø33

Ø32.7


Ø27.9

M33x1.25

R3/010C2 Ring

Belleville washers 70/40,5/4

R3/010C3L Nut with Ø66



R3/012C Øe71
Feed tube phasable ring
Bague pour synchronizer le tube d'avance

for BS20.8