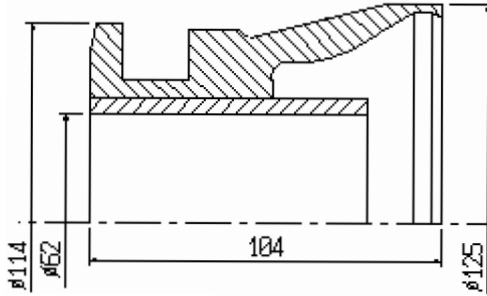




*MANUFACTURER OF ATTACHMENTS AND SPARE PARTS  
FOR MULTI-SPINDLE MACHINES*

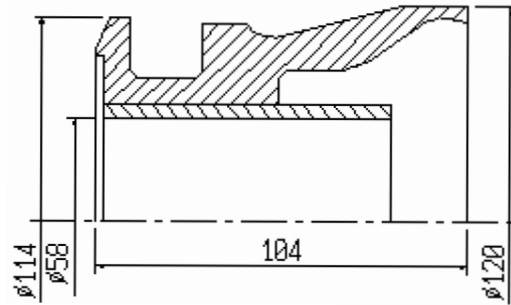
Machine: SCHUTTE  
Model: SD25 - SD32  
Catalog : SD32\_2006\_1



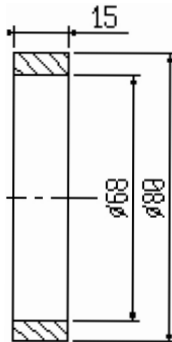
S4/001  
sleeve SD32  
376+329



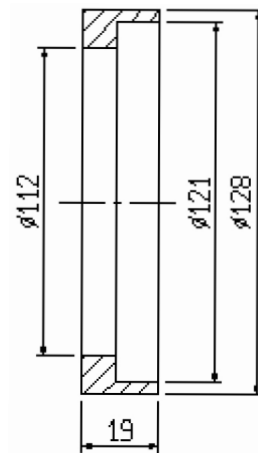
S4/003  
toggle  
390



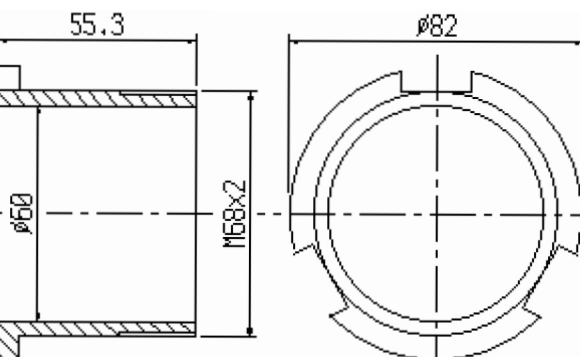
S4/001B  
sleeve SD25  
376+329



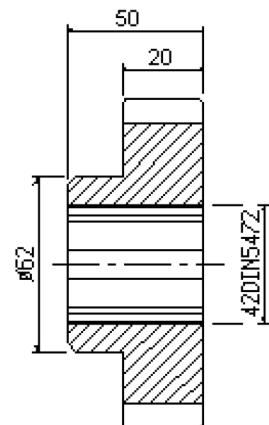
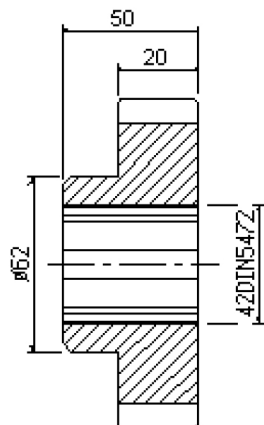
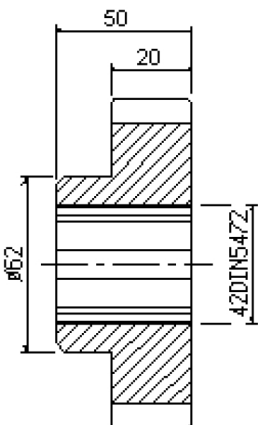
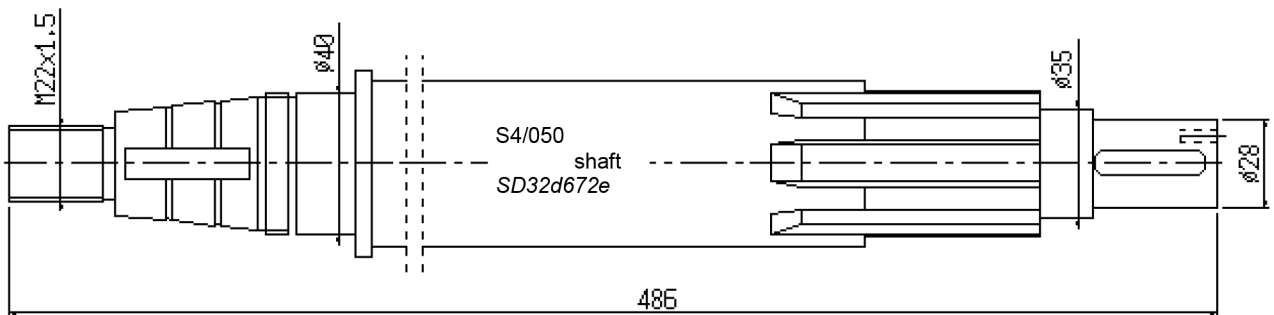
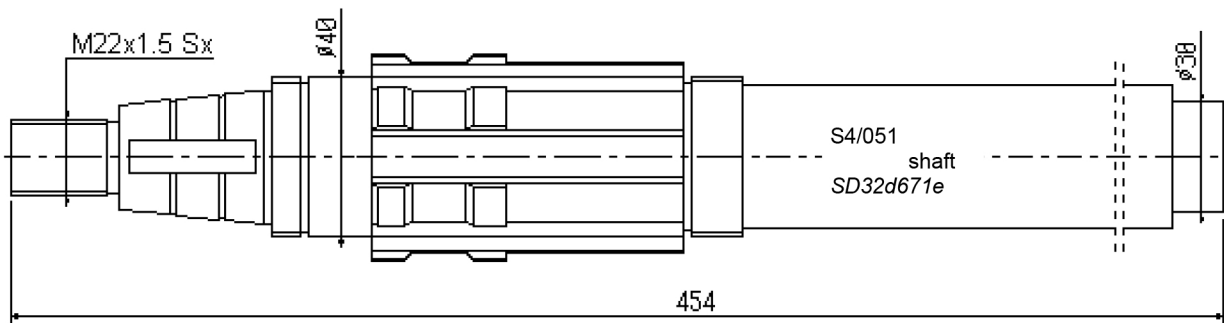
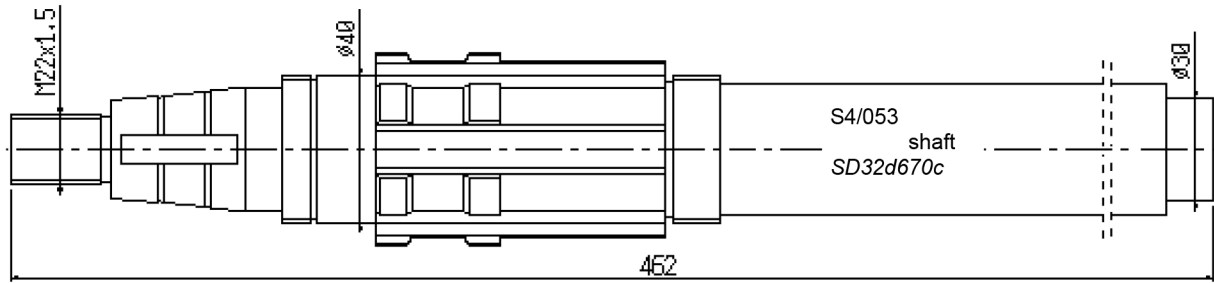
S4/008B  
ring  
383



S4/011  
ring



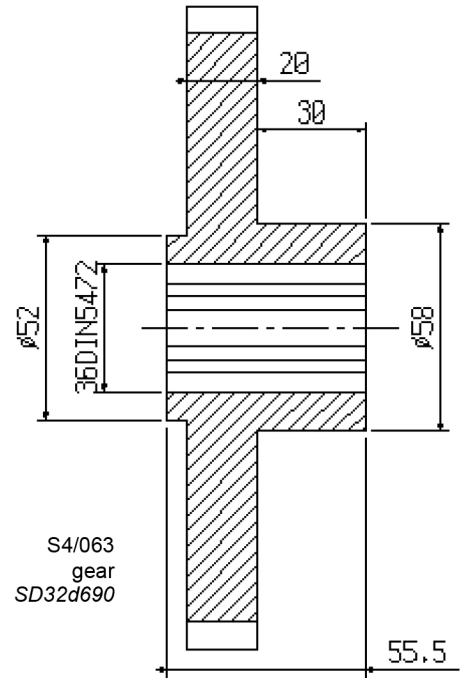
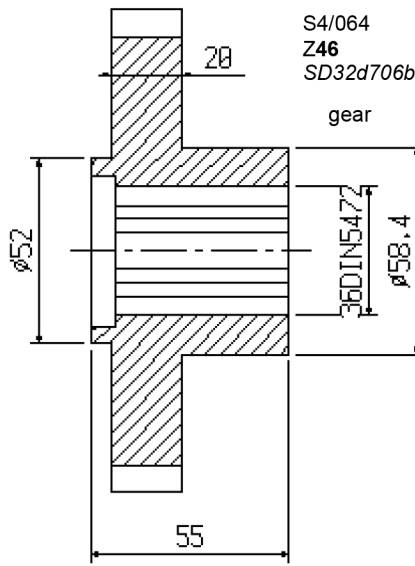
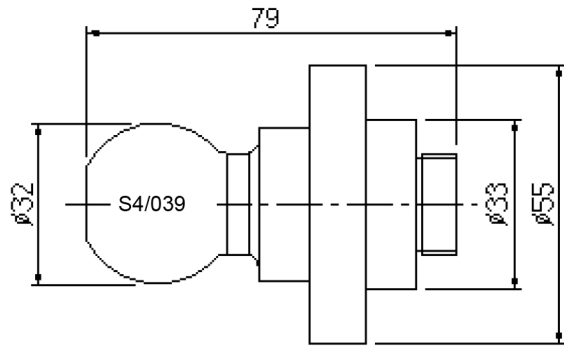
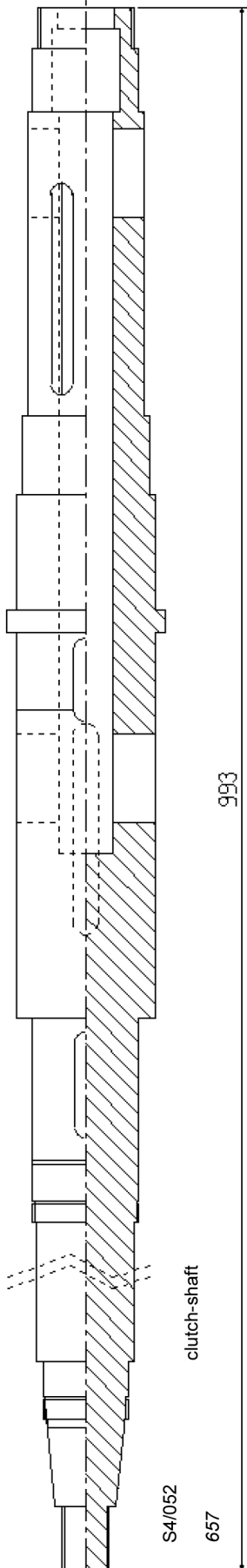
S4/007A  
sleeve  
372



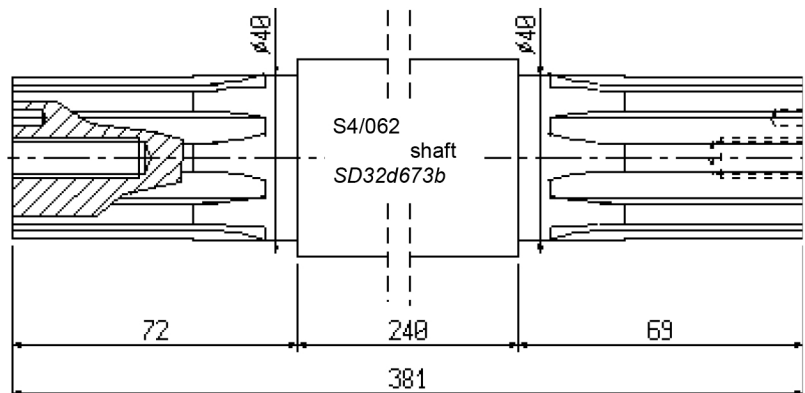
S4/055  
Z42  
VD25d689 gear

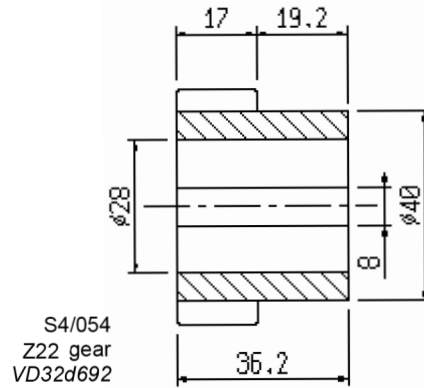
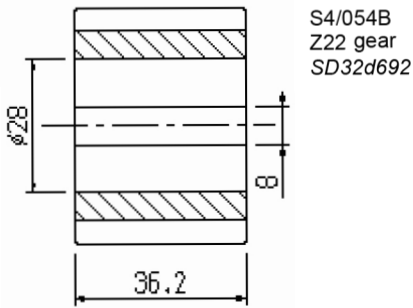
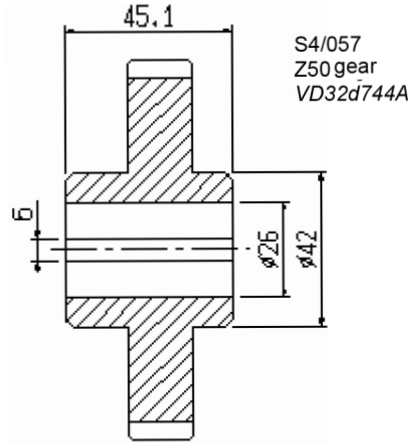
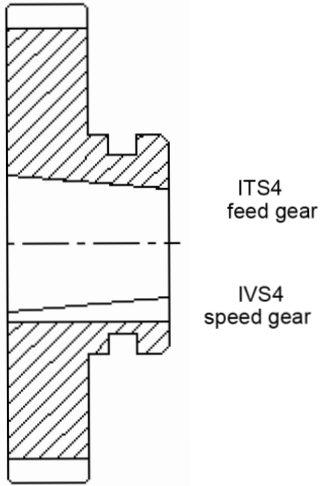
S4/055B  
Z45  
SD25d689 gear

S4/059  
Z40  
SD25d685 gear

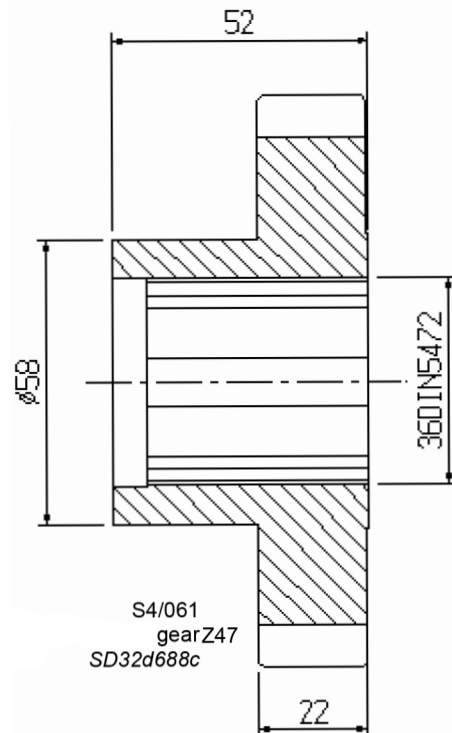


Z57



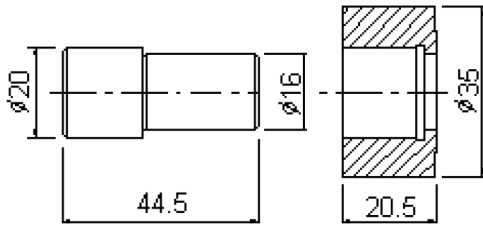


S4/060  
Z70 gear  
SD32c687c



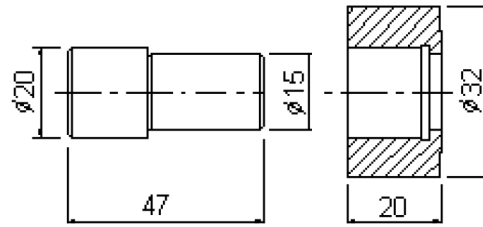
OTHER ITEMS AVAILABLE ON DEMAND:

- SD32d1384 gear
- SD32d1382 gear
- SD32d3108d gear
- SD32c687a gear
- SD32d1815 gear
- SD32d690 gear



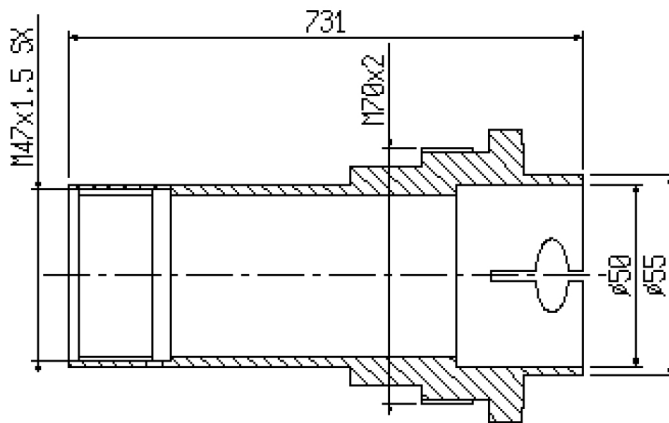
S4/030P  
pin

S4/030R  
roller

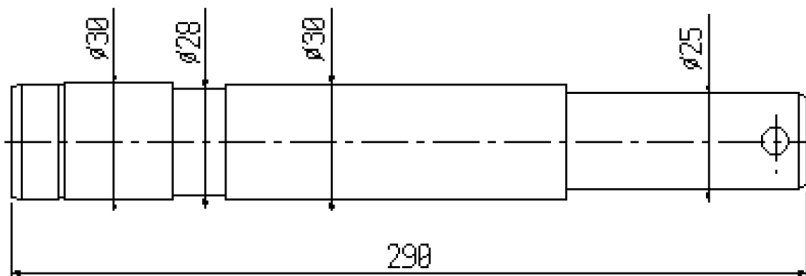


S4/031P  
pin

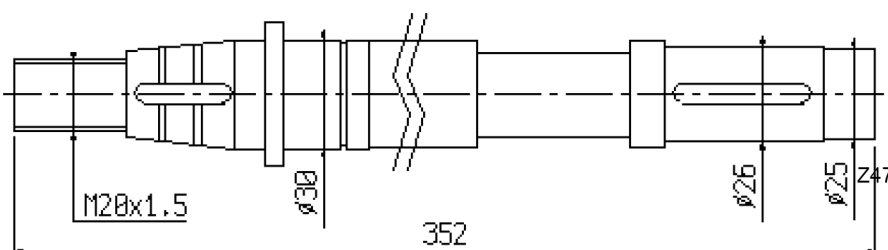
S4/031R  
roller



S4/010  
collet tube  
341



S4/056  
shaft



S4/058  
shaft  
SD63d121a