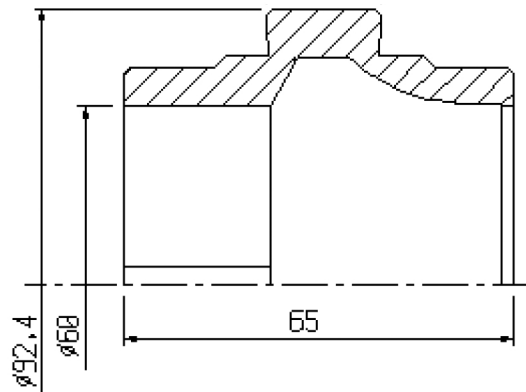
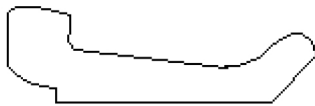


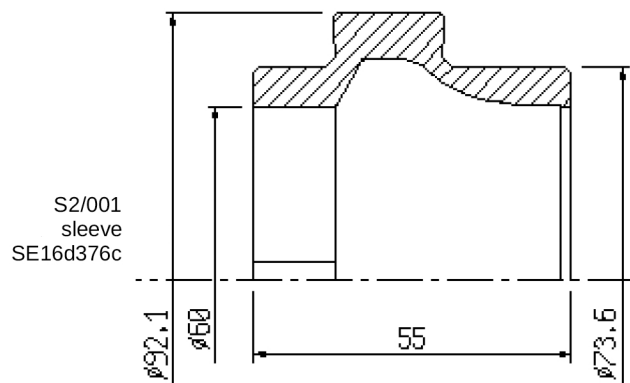
S2/002  
sleeve  
SE16d376d



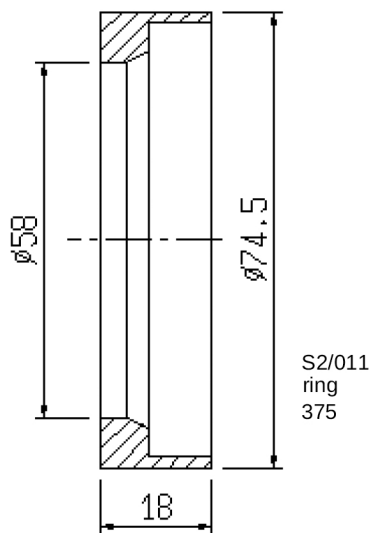
S2/001B  
sleeve  
SE16d376b



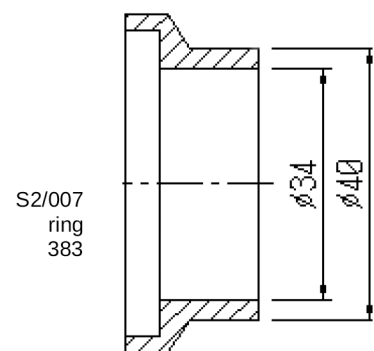
S2/003  
toggle  
390



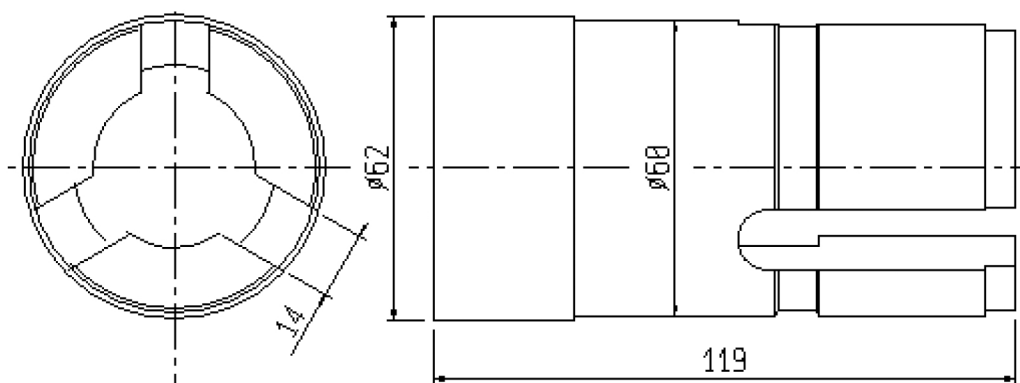
S2/001  
sleeve  
SE16d376c



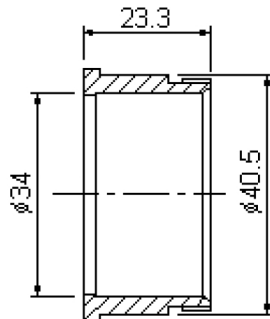
S2/011  
ring  
375



S2/007  
ring  
383

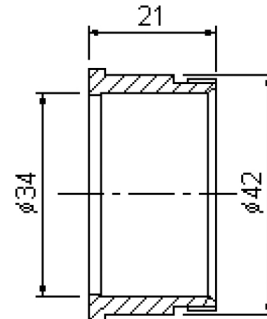


S2/019  
sleeve-holder  
346



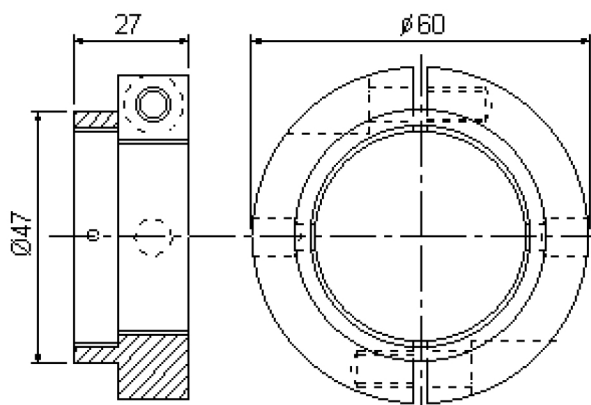
S2/008A

Belleville washer ring  
SE16d334/2



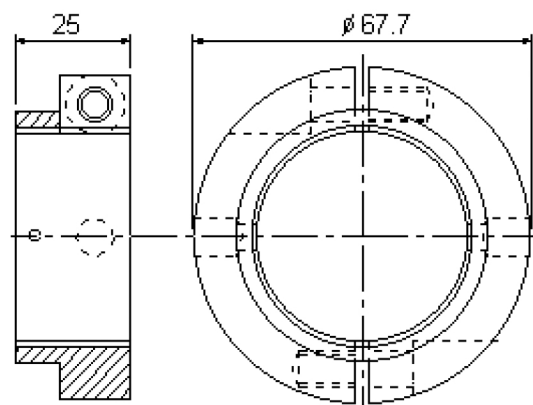
S2/008B

Belleville washer ring



S2/009A

Nut  
SE16d337/1

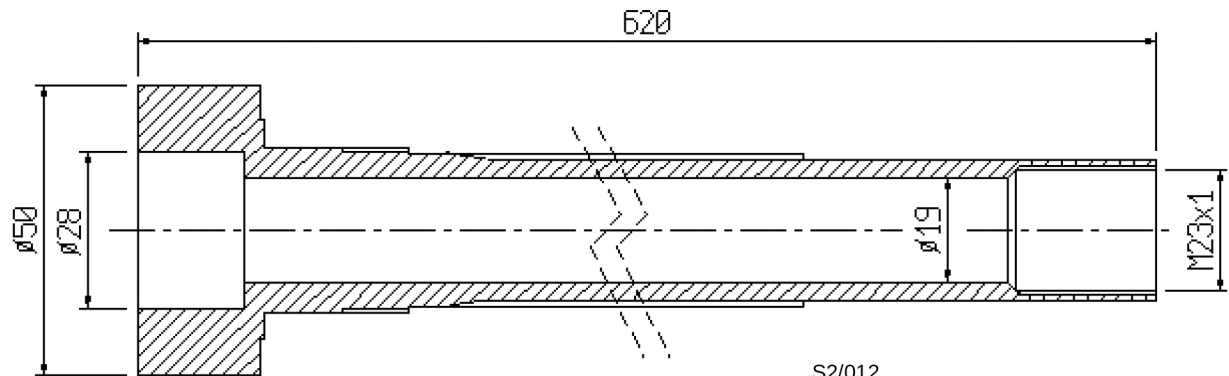


S2/009B

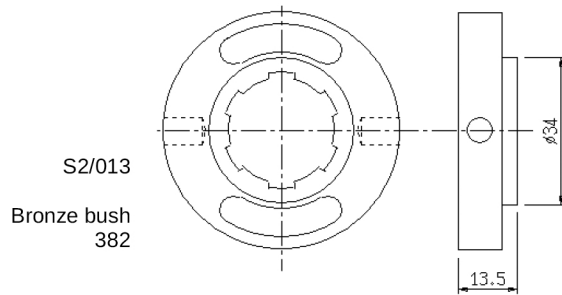
Nut



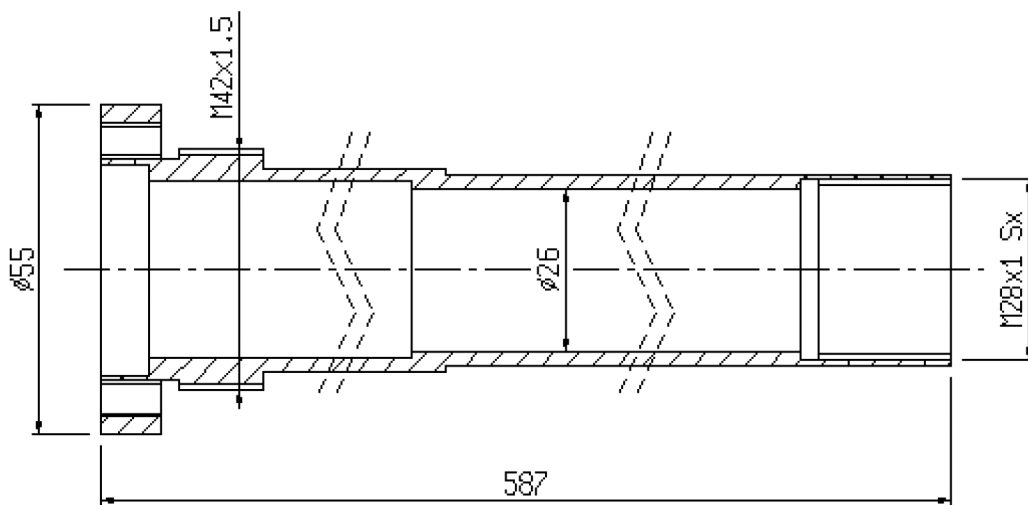
S2/090  
Belleville washer  
335



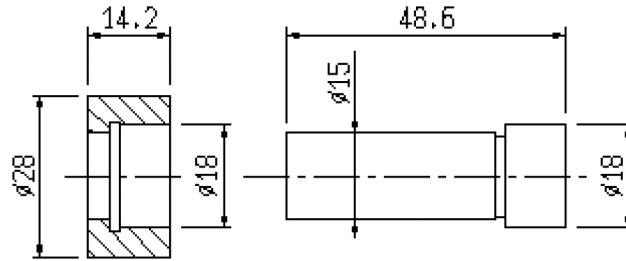
S2/012  
feed tube  
342



S2/013  
Bronze bush  
382

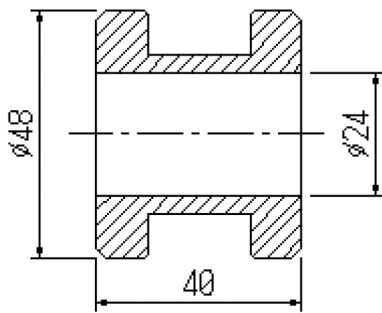


S2/010  
collet tube  
341

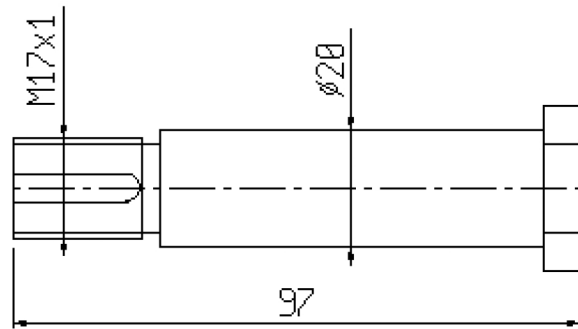


S12/033R  
roller  
SE16d90

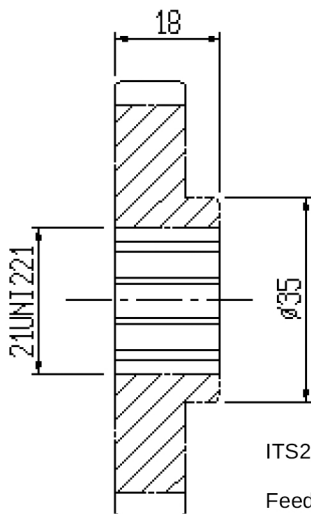
S12/033P  
pin  
SE16d186



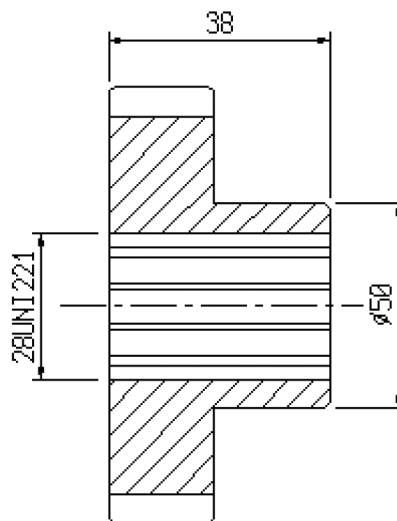
S2/040R  
roller



S2/040P  
pin



ITS2  
Feed gears



IVS2  
Speed gears



S2/554  
Toothed sector